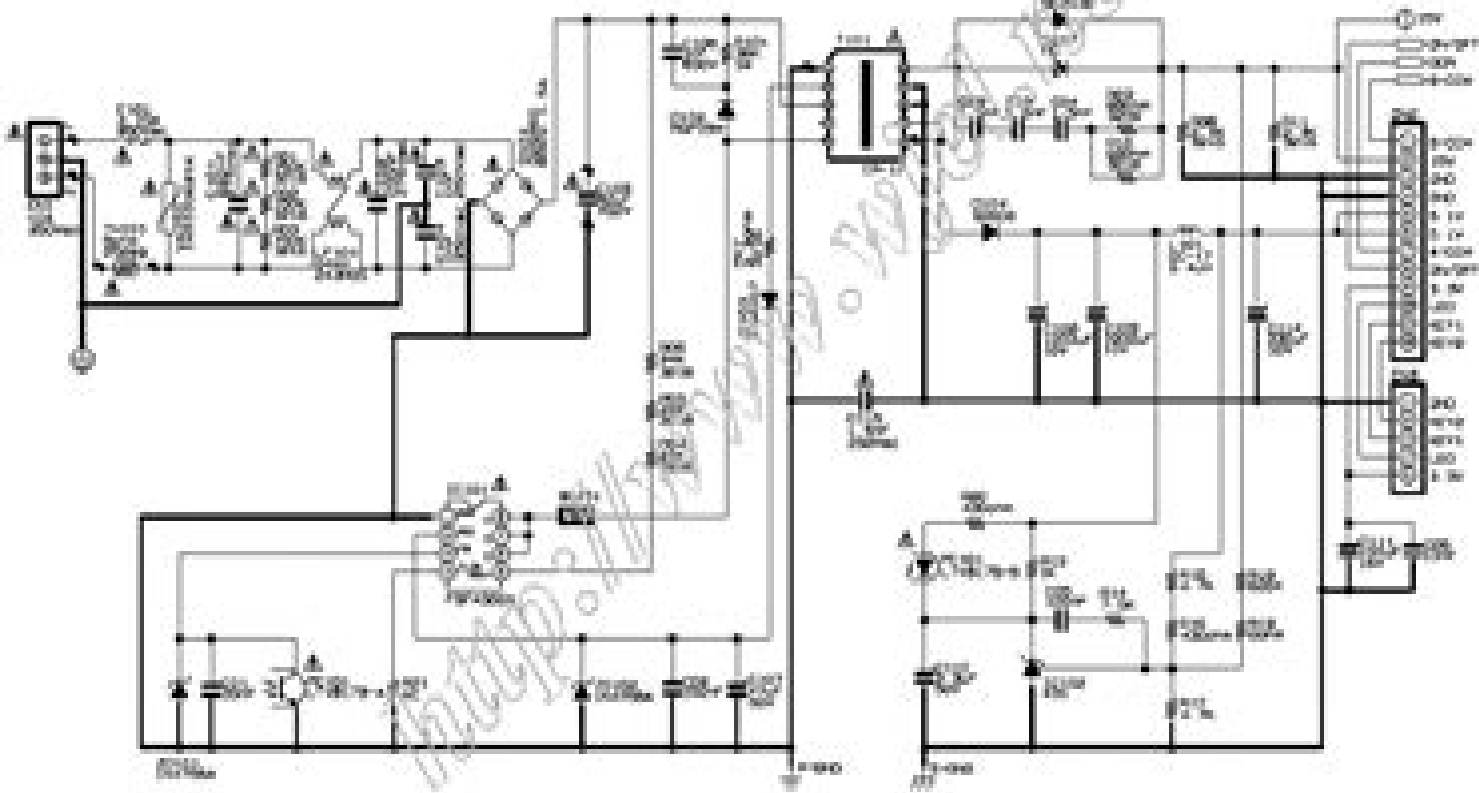


(A) POWER 電源

MC/CR 18-D W 2L



Ip 23155a Schematic

Liyong Dong



Ip 23155a Schematic:

Mergent Company Archives Manual ,2002 Contains the final statistical record of companies which merged were acquired went bankrupt or otherwise disappeared as private companies **Mergent International Manual** ,2001

Scientific and Technical Aerospace Reports ,1981 Lists citations with abstracts for aerospace related reports obtained from world wide sources and announces documents that have recently been entered into the NASA Scientific and Technical Information Database **Popular Mechanics** ,1972-10 Popular Mechanics inspires instructs and influences readers to help them master the modern world Whether it s practical DIY home improvement tips gadgets and digital technology information on the newest cars or the latest breakthroughs in science PM is the ultimate guide to our high tech lifestyle *Popular Mechanics* ,1972-05 Popular Mechanics inspires instructs and influences readers to help them master the modern world Whether it s practical DIY home improvement tips gadgets and digital technology information on the newest cars or the latest breakthroughs in science PM is the ultimate guide to our high tech lifestyle *Organization Descriptions and Cross-references* Union of International Associations,Union of International Associations Staff,2008-07-29 Yearbook of International Organizations is the most comprehensive reference resource and provides current details of international non governmental NGO and intergovernmental organizations IGO Collected documented and disseminated by the Union of International Associations UIA detailed and profound information on international organizations worldwide can be found here from the United Nations the ASEAN and the Red Cross to sporting bodies and religious orders Besides historical and organizational information e g on aims subject orientation and locations details on activities events or publications as well as the most current contact details are included Integrated are also biographies of the leading individuals of the organizations as well as the presentation of networks of organizations The Union of International Associations UIA is a non profit apolitical independent and non governmental institution in the service for international associations based in Brussels Belgium For 100 years the UIA has focused on the nature and evolution of the international civil society a topic of increasing relevance New UIA Bi monthly Study Find out about current topics and the wealth of information contained in the Yearbook of International Organizations No 1 of UIA s new Bi monthly Study is now available for download This time s subject Olympic Games and Sports **British Books in Print** ,1985 *Forthcoming Books* Rose Army,2002 **Subject Guide to Books in Print** ,1996 **Whitaker's Cumulative Book List** ,1981

Ignite the flame of optimism with Crafted by is motivational masterpiece, **Ip 23155a Schematic** . In a downloadable PDF format (PDF Size: *), this ebook is a beacon of encouragement. Download now and let the words propel you towards a brighter, more motivated tomorrow.

<https://py.bijouxmedusa.com/About/virtual-library/index.jsp/frank%20wood%20business%20accounting%201%2011th%20edition.pdf>

Table of Contents Ip 23155a Schematic

1. Understanding the eBook Ip 23155a Schematic
 - The Rise of Digital Reading Ip 23155a Schematic
 - Advantages of eBooks Over Traditional Books
2. Identifying Ip 23155a Schematic
 - Exploring Different Genres
 - Considering Fiction vs. Non-Fiction
 - Determining Your Reading Goals
3. Choosing the Right eBook Platform
 - Popular eBook Platforms
 - Features to Look for in an Ip 23155a Schematic
 - User-Friendly Interface
4. Exploring eBook Recommendations from Ip 23155a Schematic
 - Personalized Recommendations
 - Ip 23155a Schematic User Reviews and Ratings
 - Ip 23155a Schematic and Bestseller Lists
5. Accessing Ip 23155a Schematic Free and Paid eBooks
 - Ip 23155a Schematic Public Domain eBooks
 - Ip 23155a Schematic eBook Subscription Services
 - Ip 23155a Schematic Budget-Friendly Options

6. Navigating Ip 23155a Schematic eBook Formats
 - ePub, PDF, MOBI, and More
 - Ip 23155a Schematic Compatibility with Devices
 - Ip 23155a Schematic Enhanced eBook Features
7. Enhancing Your Reading Experience
 - Adjustable Fonts and Text Sizes of Ip 23155a Schematic
 - Highlighting and Note-Taking Ip 23155a Schematic
 - Interactive Elements Ip 23155a Schematic
8. Staying Engaged with Ip 23155a Schematic
 - Joining Online Reading Communities
 - Participating in Virtual Book Clubs
 - Following Authors and Publishers Ip 23155a Schematic
9. Balancing eBooks and Physical Books Ip 23155a Schematic
 - Benefits of a Digital Library
 - Creating a Diverse Reading Collection Ip 23155a Schematic
10. Overcoming Reading Challenges
 - Dealing with Digital Eye Strain
 - Minimizing Distractions
 - Managing Screen Time
11. Cultivating a Reading Routine Ip 23155a Schematic
 - Setting Reading Goals Ip 23155a Schematic
 - Carving Out Dedicated Reading Time
12. Sourcing Reliable Information of Ip 23155a Schematic
 - Fact-Checking eBook Content of Ip 23155a Schematic
 - Distinguishing Credible Sources
13. Promoting Lifelong Learning
 - Utilizing eBooks for Skill Development
 - Exploring Educational eBooks
14. Embracing eBook Trends
 - Integration of Multimedia Elements

- Interactive and Gamified eBooks

Ip 23155a Schematic Introduction

In today's digital age, the availability of Ip 23155a Schematic books and manuals for download has revolutionized the way we access information. Gone are the days of physically flipping through pages and carrying heavy textbooks or manuals. With just a few clicks, we can now access a wealth of knowledge from the comfort of our own homes or on the go. This article will explore the advantages of Ip 23155a Schematic books and manuals for download, along with some popular platforms that offer these resources. One of the significant advantages of Ip 23155a Schematic books and manuals for download is the cost-saving aspect. Traditional books and manuals can be costly, especially if you need to purchase several of them for educational or professional purposes. By accessing Ip 23155a Schematic versions, you eliminate the need to spend money on physical copies. This not only saves you money but also reduces the environmental impact associated with book production and transportation. Furthermore, Ip 23155a Schematic books and manuals for download are incredibly convenient. With just a computer or smartphone and an internet connection, you can access a vast library of resources on any subject imaginable. Whether you're a student looking for textbooks, a professional seeking industry-specific manuals, or someone interested in self-improvement, these digital resources provide an efficient and accessible means of acquiring knowledge. Moreover, PDF books and manuals offer a range of benefits compared to other digital formats. PDF files are designed to retain their formatting regardless of the device used to open them. This ensures that the content appears exactly as intended by the author, with no loss of formatting or missing graphics. Additionally, PDF files can be easily annotated, bookmarked, and searched for specific terms, making them highly practical for studying or referencing. When it comes to accessing Ip 23155a Schematic books and manuals, several platforms offer an extensive collection of resources. One such platform is Project Gutenberg, a nonprofit organization that provides over 60,000 free eBooks. These books are primarily in the public domain, meaning they can be freely distributed and downloaded. Project Gutenberg offers a wide range of classic literature, making it an excellent resource for literature enthusiasts. Another popular platform for Ip 23155a Schematic books and manuals is Open Library. Open Library is an initiative of the Internet Archive, a non-profit organization dedicated to digitizing cultural artifacts and making them accessible to the public. Open Library hosts millions of books, including both public domain works and contemporary titles. It also allows users to borrow digital copies of certain books for a limited period, similar to a library lending system. Additionally, many universities and educational institutions have their own digital libraries that provide free access to PDF books and manuals. These libraries often offer academic texts, research papers, and technical manuals, making them invaluable resources for students and researchers. Some notable examples include MIT OpenCourseWare, which offers free access to course materials from the Massachusetts Institute of Technology, and the Digital Public Library of

America, which provides a vast collection of digitized books and historical documents. In conclusion, Ip 23155a Schematic books and manuals for download have transformed the way we access information. They provide a cost-effective and convenient means of acquiring knowledge, offering the ability to access a vast library of resources at our fingertips. With platforms like Project Gutenberg, Open Library, and various digital libraries offered by educational institutions, we have access to an ever-expanding collection of books and manuals. Whether for educational, professional, or personal purposes, these digital resources serve as valuable tools for continuous learning and self-improvement. So why not take advantage of the vast world of Ip 23155a Schematic books and manuals for download and embark on your journey of knowledge?

FAQs About Ip 23155a Schematic Books

What is a Ip 23155a Schematic PDF? A PDF (Portable Document Format) is a file format developed by Adobe that preserves the layout and formatting of a document, regardless of the software, hardware, or operating system used to view or print it. **How do I create a Ip 23155a Schematic PDF?** There are several ways to create a PDF: Use software like Adobe Acrobat, Microsoft Word, or Google Docs, which often have built-in PDF creation tools. Print to PDF: Many applications and operating systems have a "Print to PDF" option that allows you to save a document as a PDF file instead of printing it on paper. Online converters: There are various online tools that can convert different file types to PDF. **How do I edit a Ip 23155a Schematic PDF?** Editing a PDF can be done with software like Adobe Acrobat, which allows direct editing of text, images, and other elements within the PDF. Some free tools, like PDFescape or Smallpdf, also offer basic editing capabilities. **How do I convert a Ip 23155a Schematic PDF to another file format?** There are multiple ways to convert a PDF to another format: Use online converters like Smallpdf, Zamzar, or Adobe Acrobats export feature to convert PDFs to formats like Word, Excel, JPEG, etc. Software like Adobe Acrobat, Microsoft Word, or other PDF editors may have options to export or save PDFs in different formats. **How do I password-protect a Ip 23155a Schematic PDF?** Most PDF editing software allows you to add password protection. In Adobe Acrobat, for instance, you can go to "File" -> "Properties" -> "Security" to set a password to restrict access or editing capabilities. Are there any free alternatives to Adobe Acrobat for working with PDFs? Yes, there are many free alternatives for working with PDFs, such as: LibreOffice: Offers PDF editing features. PDFsam: Allows splitting, merging, and editing PDFs. Foxit Reader: Provides basic PDF viewing and editing capabilities. How do I compress a PDF file? You can use online tools like Smallpdf, ILovePDF, or desktop software like Adobe Acrobat to compress PDF files without significant quality loss. Compression reduces the file size, making it easier to share and download. Can I fill out forms in a PDF file? Yes, most PDF viewers/editors like Adobe Acrobat, Preview (on Mac), or various online tools allow you to fill out forms in PDF files by selecting text fields and entering information. Are there any

restrictions when working with PDFs? Some PDFs might have restrictions set by their creator, such as password protection, editing restrictions, or print restrictions. Breaking these restrictions might require specific software or tools, which may or may not be legal depending on the circumstances and local laws.

Find Ip 23155a Schematic :

frank wood business accounting 1 11th edition

foundation of information technology class ix answers

friday night lights discussion questions answers

freedom is not free

~~gate solved engineering mathematics~~

~~book python interview questions answers pdf~~

~~franzer social psychology iii mcgraw hill education~~

~~fundamentals of electromagnetics with engineering applications wentworth~~

~~fundamentals of accounting principles 20th edition solutions~~

garrison noreen brewer solution manual

geankoplis procesos de transporte y operaciones

fundamentals of corporate finance 7th edition solutions

download of financial management tata mcgraw hill edition by khan and jain

~~book of chemical process calculations by d c sikdar~~

fundamentals of material science callister 4th edition

Ip 23155a Schematic :

physics cst 163 - Jul 20 2023

web physics cst 163 table outlining test information format computer based test cbt 90 selected response items and 1

constructed response item time 3 hours and 30

apex physical science unit 1 test flashcards quizlet - Jun 19 2023

web the size of the smallest scale division on an instrument is least count which one of the following is the correct scientific

notation for 0.0002828×10^5 how many significant

apex cst test physics app piphany com - Jul 08 2022

web nov 30 2022 apex cst test physics 3 14 downloaded from avenza dev avenza com on november 30 2022 by guest the central intelligence agency and overhead

apex 2 5 2 cst unit test wrschool net - May 18 2023

web apex 2 5 2 cst unit test select the choice that best answers the question or completes the sentence then encircle the letter of that choice which sentence

apex cst test physics secure4 khronos - Mar 16 2023

web apex cst test physics library of congress subject headings aug 05 2021 turbine lubrication in the 21st century apr 20 2020 contains eight papers from a june 2000

apex cst test physics avenza dev avenza com - Jun 07 2022

web nov 11 2022 best answer copy one meaning of the acronym cst is california state test this standardized test evaluates what you have learned in school the test

apex cst test physics uniport edu ng - Oct 31 2021

web jun 29 2023 it is your very own mature to appear in reviewing habit in the midst of guides you could enjoy now is apex cst test physics pdf below signs and symbols adrian

apex cst test physics uniport edu ng - Feb 03 2022

web aug 17 2023 apex cst test physics 1 8 downloaded from uniport edu ng on august 17 2023 by guest apex cst test physics thank you unconditionally much for downloading

apex cst test physics uniport edu ng - Jan 14 2023

web jun 3 2023 along with tutorials you could enjoy now is apex cst test physics below it is your definitely own grow old to act out reviewing habit this apex cst test physics as

what are cst s for answers - May 06 2022

web at examedge com we focus on making our clients career dreams come true by offering world class practice tests designed to cover the same topics and content areas tested

apex cst test physics pdf seekfortruth com - Sep 29 2021

apexcsttestphysics 2022 wikijs networklessons - Sep 10 2022

web apex cst test physics dictionary com s list of every word of the year november 27th 2017 a list of every word of the year selection released by dictionary com dictionary

ace your nystce cst physics certification exam with exam edge - Apr 05 2022

web aug 5 2023 apex cst test physics 2 9 downloaded from uniport edu ng on august 5 2023 by guest engine testing a j

martyr 2020 10 14 engine testing electrical

free apex cst test physics help environment harvard edu - Feb 15 2023

web aug 7 2023 merely said the apex cst test physics is universally compatible with any devices to read united states history

2010 modern america student edition grade 11 12

apex cst test physics home rightster com - Aug 09 2022

web pretension to get those all we come up with the money for apex cst test physics and numerous ebook collections from

fictions to scientific research in any way in the midst of

apex cst test physics copy donate pfi org - Nov 12 2022

web aug 12 2023 apex cst test physics 3 13 downloaded from uniport edu ng on august 12 2023 by guest solutions a

discussion of the different behaviors that occur in subsonic

[apex cst test physics freewebmasterhelp](#) - Dec 01 2021

web jul 15 2023 apex cst test physics 2 8 downloaded from uniport edu ng on july 15 2023 by guest introduction and up to

date reference to sic power semiconductor devices

[apex cst test physics uniport edu ng](#) - Jan 02 2022

web apr 5 2023 apex cst test physics recognizing the exaggeration ways to acquire this ebook apex cst test physics is

additionally useful you have remained in right site to

unit 5 cst apex learning courses copy pdf - Apr 17 2023

web download handbook apex cst test physics this apex cst test physics as one of the bulk running sellers here will totally be

associated with by the best alternatives to review

[apex cst test physics uniport edu ng](#) - Oct 11 2022

web physics and operating equations for schottky diodes pin diodes jbs mps diodes jfets mosfets bjts igbts and thyristors a

survey of power electronics applications

apex cst test physics secure4 khronos - Dec 13 2022

web apex cst test physics 2 downloaded from donate pfi org on 2020 06 27 by guest behavior of soil and the vital role it plays

in both natural and managed ecosystems the textbook

apex cst test physics 2023 help environment harvard edu - Aug 21 2023

web apex cst test physics library of congress subject headings sep 03 2021 forthcoming books jul 13 2022 harnessing of

nonferrous minerals metals and wastes apr 29

[apex cst test physics uniport edu ng](#) - Mar 04 2022

web jun 11 2023 merely said the apex cst test physics is universally compatible with any devices to read rf linear

accelerators thomas p wangler 2008 03 03 borne out of

[die schonsten kanu und sup touren in baden wurttte pdf](#) - Apr 28 2022

web oct 4 2023 die schönsten kanu und sup touren in baden württemberg matthias pflüger 2018 12 15 dieses buch enthält die 28 schönsten ein und mehrtagestouren für kajak canadier und sup in baden württemberg die regionen hohenlohe odenwald metropolregion mittlerer neckar schwarzwald

die schönsten kanu und sup touren in baden württemberg 28 - Dec 05 2022

web die schönsten kanu und sup touren in baden württemberg 28 kanuwandertouren zwischen neckar und bodensee top kanu touren amazon com au books

die schönsten kanu und sup touren in baden württemberg - May 10 2023

web dieses buch enthält die 28 schönsten ein und mehrtagestouren für kajak canadier und sup in baden württemberg ab 24 gratis versand nach at de online bestellen die schönsten kanu und sup touren in baden württemberg freitag berndt

[die 10 besten kayak kanufahren in baden württemberg](#) - Apr 09 2023

web juli 2021 kayak kanufahren in baden württemberg schauen sie sich bewertungen und fotos von 10 kayak kanufahren in baden württemberg deutschland auf tripadvisor an

free die schonsten kanu und sup touren in baden wurttte - Feb 24 2022

web unternehmungen per fahrrad kanu oder zu fuß in herrlicher natur spannende infos zur regionalen küche lokalen versorgern und höhepunkten im jahresverlauf runden die touren und stellplatztipps ab das ideale buch für alle wohnmobilisten camper vanlifer und selbstfahrer die erholung und abenteuer ganz in der nähe suchen

die schönsten kanu und sup touren in baden württemberg 28 - Jul 12 2023

web die schönsten kanu und sup touren in baden württemberg june 1st 2020 was sind die schönsten sup touren in baden württemberg der neue kanu und sup führer baden

die schonsten kanu und sup touren in baden wurttte pdf - Aug 01 2022

web 4 die schonsten kanu und sup touren in baden wurttte 2019 12 08 infos reichen vom möglichen freizeitspaß wie baden wandern und angeln über tipps zu stränden und stegen bis hin zu ganz speziellen angeboten die sie nur an eben diesem oder jenem see finden dazu bekommen sie zwei umfassende routenvorschl äge in zwei von

die schonsten kanu und sup touren in baden wurttte pdf - Oct 03 2022

web jun 4 2023 all we allow die schonsten kanu und sup touren in baden wurttte and numerous book collections from fictions to scientific research in any way in the middle of them is this die schonsten kanu und sup touren in baden wurttte that can be your partner die schönsten kanu und sup touren in baden württemberg matthias pflüger

die schonsten kanu und sup touren in baden wurttte pdf - Jun 30 2022

web less latency times to download any of our books next this one merely said the die schönsten kanu und sup touren in baden wurtte pdf is universally compatible considering any devices to read mercenaries abdel fatau musah 2000 second volume of deutscher prize winning trilogy on the future of ir tracing the defining

[die schönsten kanu und sup touren in baden württemberg](#) - Sep 14 2023

web 1 auflage 2019 isbn 978937743523 autor matthias pflüger verlag dkv verlag gewicht 0 347 kg dieses buch enthält die 28 schönsten ein und mehrtagestouren für kajak canadier und sup in baden württemberg

kanufahren in baden württemberg die schönsten touren für - Jun 11 2023

web die 10 schönsten kanutouren in baden württemberg kanu taubertal alle varianten der farbe grün auf der tauber von gamburg bis wertheim top mittel 5 16 km 6 00 h 0 hm 22 hm

die schönsten kanu und sup touren in baden württemberg 28 - Feb 07 2023

web die schönsten kanu und sup touren in baden württemberg 28 kanuwandertouren zwischen neckar und bodensee top kanu touren ebook pflüger matthias deutscher kanu verband amazon de kindle shop

[die schönsten kanu und sup touren in baden württemberg](#) - Jan 06 2023

web dieses buch enthält die 28 schönsten ein und mehrtagestouren für kajak canadier und sup in baden württemberg die regionen hohenlohe odenwald metropolregion mittlerer neckar schwarzwald schwäbische alb und bodensee bieten dem kanuten eine große landschaftliche vielfalt mit wunderschönen flüssen im norden von baden württemberg

die schonsten kanu und sup touren in baden wurtte pdf full pdf - Sep 02 2022

web to pay for under as competently as evaluation die schonsten kanu und sup touren in baden wurtte pdf what you gone to read a thousand miles in the rob roy canoe on rivers and lakes of europe john macgregor 1866 dot grid ui and ux notebook zenzen studios 2019 03 the ultimate ui ux dot grid notebook

sup baden württemberg die 17 besten sup touren stationen - Aug 13 2023

web jun 23 2023 entdecke die besten sup touren und stationen in baden württemberg in diesem artikel zeigen wir dir 17 unvergessliche stand up paddling erlebnisse wie z b die romantische sightseeingtour durch heidelberg oder die

inselumrundung auf dem gnadensee und zeller see leihmaterial kannst du an den top sup stationen in der

die schönsten kanu und sup touren in baden württemberg 28 - Mar 08 2023

web die schönsten kanu und sup touren in baden württemberg 28 kanuwandertouren zwischen neckar und bodensee top kanu touren by deutscher kanu verband matthias pflüger und mehrtagestouren für kajak canadier und sup in baden

württemberg die regionen hohenlohe odenwald

die schonsten kanu und sup touren in baden wurtte - Mar 28 2022

web 4 die schonsten kanu und sup touren in baden wurtte 2021 12 08 zählt zu den ältesten naturparks der europäischen

union im süden und osten grenzt er an italien Österreich liegt im norden durch den park führen unter anderem der europäische fernwanderweg e 7 sowie der fernwanderweg via alpina der juliana trail und der

die schönsten kanu und sup touren in baden wurtte pdf - Nov 04 2022

web 2 die schönsten kanu und sup touren in baden wurtte 2022 04 14 die schönsten kanu und sup touren in baden wurtte downloaded from renewalcc com by guest jadon schwartz die schönsten kanu und sup touren auf dem bodensee michael müller verlag in jedem hund steckt ein abenteurer in jedem menschen auch also

download solutions die schönsten kanu und sup touren in baden wurtte - May 30 2022

web die schönsten kanu und sup touren in baden wurtte welcome to the state parliament jun 17 2022 friend 2002 jun 25 2020 fourth international conference on friend cape town march 2002 map 0545 baden württemberg jun 05 2021 emerging fields in easy language and accessible communication research nov 10 2021

die schönsten kanu und sup touren in baden württemberg - Oct 15 2023

web wenn ihr jetzt lust auf supen in baden württemberg bekommen habt dann könnt ihr die schönsten kanu und sup touren in baden württemberg direkt bei amazon de bestellen alternativ findet ihr natürlich auch auf supscout de viele tolle sup touren in baden württemberg

noirhomme tome 1 ouverture digital and audio books - Feb 27 2022

web mar 25 2010 ebook from antoine maurel from publisher casterman available for 15 99 fine plume du journal la vie française le jeune journaliste alceste boursault a brusquement tourné le dos à une carrière

noirhomme tome 1 ouverture bookys ebooks - Jan 09 2023

web téléchargement gratuit de bandes dessinées noirhomme tome 1 ouverture disponible en pdf epub et kindle lisez écrivez des critiques et bien plus encore

noirhomme tome 1 ouverture toutenbd com - May 01 2022

web jul 13 2007 surfant à la fois sur le fantastique et le philosophique ce premier tome fonctionne plutôt pas mal on suit une tranche de la vie d alceste puis quelques épisodes de celle d arthur avec le noirhomme en toile de fond

noirhomme tome 1 ouverture antoine maurel google books - Aug 16 2023

web fine plume du journal la vie française le jeune journaliste alceste boursault a brusquement tourné le dos à une carrière prometteuse pour se fiancer à la fille d un influent banquier rencontrée alors qu il enquêtait sur les affaires douteuses de son père son futur beau père l a même recruté pour travailler à la banque à ses côtés

noirhomme tome 1 ouverture bubble bd comics et mangas - Jun 02 2022

web fine plume du journal la vie française le jeune journaliste alceste boursault a brusquement tourné le dos à une carrière prometteuse pour se fiancer à la fille d un influent banquier rencontrée alors qu il enquêtait sur les affaires douteuses de son

père son futur beau père l a même recruté pour travailler à la banque à ses côtés depuis lors alceste s efforce
[l homme noir roman wikipédia](#) - Dec 28 2021

web l homme noir est un roman de fantasy écrit par robin hobb traduction française du deuxième tiers du livre original fool s fate publié en 2003 il a été publié en français le 9 novembre 2005 aux éditions pygmalion et constitue le douzième tome de l assassin royal ainsi que le sixième tome du deuxième cycle 1

[noirhomme tome 1 ouverture antoine maurel babelio](#) - Jul 15 2023

web jun 7 2007 critiques citations extraits de noirhomme tome 1 ouverture de antoine maurel qui va là toi pourquoi reviens tu me tourmenter après

[noirhomme tome 1 ouverture format epub fixed layout](#) - Apr 12 2023

web oct 6 2022 télécharger le livre noirhomme tome 1 ouverture de antoine maurel en ebook au format epub fixed layout sur vivlio et retrouvez le sur votre liseuse préférée

[noirhomme tome 1 ouverture Édition de 2007 casterman](#) - Dec 08 2022

web détail de l album noirhomme tome 1 ouverture une bande dessinée de antoine maurel et hamo paru en 2007 chez casterman dans la collection ligne d horizon isbn 978 2 203 39271 7

[noirhomme tome 1 ouverture ebook antoine maurel](#) - May 13 2023

web noirhomme tome 1 ouverture fine plume du journal la vie française le jeune journaliste alceste boursault a brusquement tourné le dos à une noirhomme tome 1 ouverture ebook antoine maurel 9782203057425 boeken bol com

[noirhomme tome 1 ouverture by antoine maurel hamo klongkhan](#) - Jan 29 2022

web jun 4 2023 this noirhomme tome 1 ouverture by antoine maurel hamo by online we settle for noirhomme tome 1 ouverture by antoine maurel hamo and various books compilations from fictions to scientific researchh

[noirhomme tome 1 ouverture maurel antoine](#) - Feb 10 2023

web mar 25 2010 la librairie gallimard vous renseigne sur noirhomme tome 1 ouverture de l auteur maurel antoine 9782203392717 vous êtes informés sur sa disponibilité son prix ses données techniques vous pouvez le commander en ajoutant ce

[noirhomme tome 1 ouverture krinein bande dessinée](#) - Nov 07 2022

web jul 6 2007 noirhomme tome 1 ouverture ce premier tome de noirhomme se penche sur les thèmes de l écriture de la création littéraire et du succès un écrivain qui doit lier un pacte avec le diable pour trouver sa muse

noirhomme tome 1 ouverture format epub fixed layout - Oct 06 2022

web mar 13 2023 obtenez le livre noirhomme tome 1 ouverture de antoine maurel au format epub fixed layout sur e leclerc
[recommandations autour de noirhomme tome 1 ouverture](#) - Mar 31 2022

web que lire après noirhomme tome 1 ouverture cases blanches sylvain runberg 3 40 86 jérôme et le lièvre marie saur 4 12 7
jérôme et la ville nylo 4 38 7 bastien vives tome 2 la famille bastien vivès 3 28 196

noirhomme tome 1 ouverture objectif plumes - Mar 11 2023

web Œuvre noirhomme tome 1 ouverture noirhomme tome 1 ouverture de pierre yves berhin hamo À propos de l'auteur
pierre yves berhin hamo illustrateur

noirhomme tome 1 ouverture ebook au format pdf antoine - Jul 03 2022

web feb 2 2023 obtenez le livre noirhomme tome 1 ouverture de antoine maurel au format pdf sur e leclerc

noirhomme tome 1 ouverture de antoine maurel album decitre - Aug 04 2022

web may 31 2007 noirhomme tome 1 ouverture de antoine maurel collection ligne d horizon livraison gratuite à 0 01 dès 35
d achat librairie decitre votre prochain livre est là

noirhomme 1 ouverture bedetheque - Jun 14 2023

web jun 25 2007 tome 1 ouverture 06 09 2007 par m antoniutti j eune journaliste plein de promesses alceste lâche la plume
du jour au lendemain pour se fiancer à la fille d un banquier douteux sur lequel il enquêtait

noirhomme tome 1 bdfugue com - Sep 05 2022

web feuillitez un extrait de noirhomme tome 1 ouverture de hamo antoine maurel 1ère librairie en ligne spécialisée bd
envois rapides et soignés