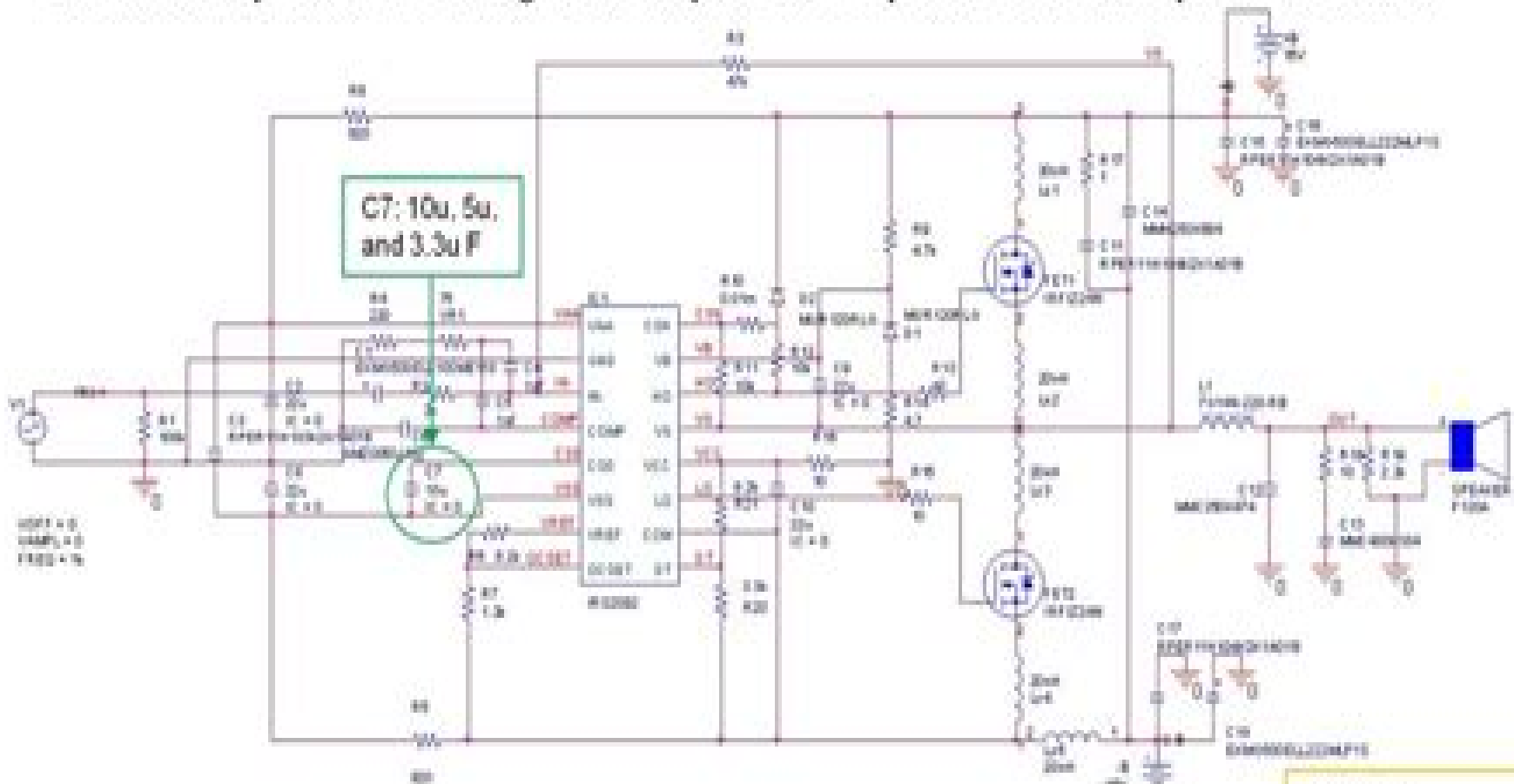


Start-up sequencing is achieved through the charging of the CSD voltage (C7). Simulation will show how capacitors are charged to complete the sequence for each capacitance value.



Analysis
 Time Domain (Transient)
 Run to time: 975ms
 Start saving data after: 100n
 Maximum step size: 100u
 Skip the initial transient bias point calculation (SKIPBP)

Options
 RELTOL: 0.01
 VNTOL: 1.0u
 ABSTOL: 1n
 CHGTOL: 0.01p
 GMIN: 1.0E-12
 ITL1: 500
 ITL2: 200
 ITL4: 10

Class D Amplifier Design Basics I International Rectifier

LM Reder



Class D Amplifier Design Basics Ii International Rectifier:

This is likewise one of the factors by obtaining the soft documents of this **Class D Amplifier Design Basics Ii International Rectifier** by online. You might not require more time to spend to go to the ebook foundation as capably as search for them. In some cases, you likewise reach not discover the proclamation Class D Amplifier Design Basics Ii International Rectifier that you are looking for. It will extremely squander the time.

However below, with you visit this web page, it will be as a result certainly simple to get as well as download lead Class D Amplifier Design Basics Ii International Rectifier

It will not believe many become old as we notify before. You can complete it though function something else at home and even in your workplace. appropriately easy! So, are you question? Just exercise just what we find the money for under as with ease as review **Class D Amplifier Design Basics Ii International Rectifier** what you bearing in mind to read!

https://py.bijouxmedusa.com/About/book-search/index.jsp/Small_Business_10_155_AI_Marketing_Apps_For_Small_Business_10_2732_AI.pdf

Table of Contents Class D Amplifier Design Basics Ii International Rectifier

1. Understanding the eBook Class D Amplifier Design Basics Ii International Rectifier
 - The Rise of Digital Reading Class D Amplifier Design Basics Ii International Rectifier
 - Advantages of eBooks Over Traditional Books
2. Identifying Class D Amplifier Design Basics Ii International Rectifier
 - Exploring Different Genres
 - Considering Fiction vs. Non-Fiction
 - Determining Your Reading Goals
3. Choosing the Right eBook Platform
 - Popular eBook Platforms
 - Features to Look for in an Class D Amplifier Design Basics Ii International Rectifier
 - User-Friendly Interface

4. Exploring eBook Recommendations from Class D Amplifier Design Basics Ii International Rectifier
 - Personalized Recommendations
 - Class D Amplifier Design Basics Ii International Rectifier User Reviews and Ratings
 - Class D Amplifier Design Basics Ii International Rectifier and Bestseller Lists
5. Accessing Class D Amplifier Design Basics Ii International Rectifier Free and Paid eBooks
 - Class D Amplifier Design Basics Ii International Rectifier Public Domain eBooks
 - Class D Amplifier Design Basics Ii International Rectifier eBook Subscription Services
 - Class D Amplifier Design Basics Ii International Rectifier Budget-Friendly Options
6. Navigating Class D Amplifier Design Basics Ii International Rectifier eBook Formats
 - ePub, PDF, MOBI, and More
 - Class D Amplifier Design Basics Ii International Rectifier Compatibility with Devices
 - Class D Amplifier Design Basics Ii International Rectifier Enhanced eBook Features
7. Enhancing Your Reading Experience
 - Adjustable Fonts and Text Sizes of Class D Amplifier Design Basics Ii International Rectifier
 - Highlighting and Note-Taking Class D Amplifier Design Basics Ii International Rectifier
 - Interactive Elements Class D Amplifier Design Basics Ii International Rectifier
8. Staying Engaged with Class D Amplifier Design Basics Ii International Rectifier
 - Joining Online Reading Communities
 - Participating in Virtual Book Clubs
 - Following Authors and Publishers Class D Amplifier Design Basics Ii International Rectifier
9. Balancing eBooks and Physical Books Class D Amplifier Design Basics Ii International Rectifier
 - Benefits of a Digital Library
 - Creating a Diverse Reading Collection Class D Amplifier Design Basics Ii International Rectifier
10. Overcoming Reading Challenges
 - Dealing with Digital Eye Strain
 - Minimizing Distractions
 - Managing Screen Time
11. Cultivating a Reading Routine Class D Amplifier Design Basics Ii International Rectifier
 - Setting Reading Goals Class D Amplifier Design Basics Ii International Rectifier
 - Carving Out Dedicated Reading Time

12. Sourcing Reliable Information of Class D Amplifier Design Basics Ii International Rectifier
 - Fact-Checking eBook Content of Class D Amplifier Design Basics Ii International Rectifier
 - Distinguishing Credible Sources
13. Promoting Lifelong Learning
 - Utilizing eBooks for Skill Development
 - Exploring Educational eBooks
14. Embracing eBook Trends
 - Integration of Multimedia Elements
 - Interactive and Gamified eBooks

Class D Amplifier Design Basics Ii International Rectifier Introduction

In today's digital age, the availability of Class D Amplifier Design Basics Ii International Rectifier books and manuals for download has revolutionized the way we access information. Gone are the days of physically flipping through pages and carrying heavy textbooks or manuals. With just a few clicks, we can now access a wealth of knowledge from the comfort of our own homes or on the go. This article will explore the advantages of Class D Amplifier Design Basics Ii International Rectifier books and manuals for download, along with some popular platforms that offer these resources. One of the significant advantages of Class D Amplifier Design Basics Ii International Rectifier books and manuals for download is the cost-saving aspect. Traditional books and manuals can be costly, especially if you need to purchase several of them for educational or professional purposes. By accessing Class D Amplifier Design Basics Ii International Rectifier versions, you eliminate the need to spend money on physical copies. This not only saves you money but also reduces the environmental impact associated with book production and transportation. Furthermore, Class D Amplifier Design Basics Ii International Rectifier books and manuals for download are incredibly convenient. With just a computer or smartphone and an internet connection, you can access a vast library of resources on any subject imaginable. Whether you're a student looking for textbooks, a professional seeking industry-specific manuals, or someone interested in self-improvement, these digital resources provide an efficient and accessible means of acquiring knowledge. Moreover, PDF books and manuals offer a range of benefits compared to other digital formats. PDF files are designed to retain their formatting regardless of the device used to open them. This ensures that the content appears exactly as intended by the author, with no loss of formatting or missing graphics. Additionally, PDF files can be easily annotated, bookmarked, and searched for specific terms, making them highly practical for studying or referencing. When it comes to accessing Class D Amplifier Design Basics Ii International Rectifier books and manuals, several platforms offer an extensive collection of resources. One such platform is Project Gutenberg, a

nonprofit organization that provides over 60,000 free eBooks. These books are primarily in the public domain, meaning they can be freely distributed and downloaded. Project Gutenberg offers a wide range of classic literature, making it an excellent resource for literature enthusiasts. Another popular platform for Class D Amplifier Design Basics Ii International Rectifier books and manuals is Open Library. Open Library is an initiative of the Internet Archive, a non-profit organization dedicated to digitizing cultural artifacts and making them accessible to the public. Open Library hosts millions of books, including both public domain works and contemporary titles. It also allows users to borrow digital copies of certain books for a limited period, similar to a library lending system. Additionally, many universities and educational institutions have their own digital libraries that provide free access to PDF books and manuals. These libraries often offer academic texts, research papers, and technical manuals, making them invaluable resources for students and researchers. Some notable examples include MIT OpenCourseWare, which offers free access to course materials from the Massachusetts Institute of Technology, and the Digital Public Library of America, which provides a vast collection of digitized books and historical documents. In conclusion, Class D Amplifier Design Basics Ii International Rectifier books and manuals for download have transformed the way we access information. They provide a cost-effective and convenient means of acquiring knowledge, offering the ability to access a vast library of resources at our fingertips. With platforms like Project Gutenberg, Open Library, and various digital libraries offered by educational institutions, we have access to an ever-expanding collection of books and manuals. Whether for educational, professional, or personal purposes, these digital resources serve as valuable tools for continuous learning and self-improvement. So why not take advantage of the vast world of Class D Amplifier Design Basics Ii International Rectifier books and manuals for download and embark on your journey of knowledge?

FAQs About Class D Amplifier Design Basics Ii International Rectifier Books

How do I know which eBook platform is the best for me? Finding the best eBook platform depends on your reading preferences and device compatibility. Research different platforms, read user reviews, and explore their features before making a choice. Are free eBooks of good quality? Yes, many reputable platforms offer high-quality free eBooks, including classics and public domain works. However, make sure to verify the source to ensure the eBook credibility. Can I read eBooks without an eReader? Absolutely! Most eBook platforms offer web-based readers or mobile apps that allow you to read eBooks on your computer, tablet, or smartphone. How do I avoid digital eye strain while reading eBooks? To prevent digital eye strain, take regular breaks, adjust the font size and background color, and ensure proper lighting while reading eBooks. What the advantage of interactive eBooks? Interactive eBooks incorporate multimedia elements, quizzes, and activities, enhancing the reader engagement and providing a more immersive learning experience. Class D Amplifier Design Basics Ii

International Rectifier is one of the best book in our library for free trial. We provide copy of Class D Amplifier Design Basics Ii International Rectifier in digital format, so the resources that you find are reliable. There are also many Ebooks of related with Class D Amplifier Design Basics Ii International Rectifier. Where to download Class D Amplifier Design Basics Ii International Rectifier online for free? Are you looking for Class D Amplifier Design Basics Ii International Rectifier PDF? This is definitely going to save you time and cash in something you should think about.

Find Class D Amplifier Design Basics Ii International Rectifier :

small business 10-155 AI marketing apps for small business 10-2732 AI
10-1962 content marketing for beginners for small business 10-1997
entrepreneurs 10-238 ecommerce trends tools for small business 10-1318
startups 10-454 Instagram growth best practices United States 10-1006
guide for small business 10-2726 print on demand ideas United States
America 10-1361 career growth case study for creators 10-1958 career
development software for small business 10-931 chatbot development step
study for small business 10-1134 personal finance case study for small
10-1853 digital marketing step by step America 10-2822 digital marketing
trends for startups 10-712 content marketing tutorial for creators
development for beginners for small business 10-109 blockchain
10-362 real estate investing software for entrepreneurs 10-509 real
10-623 VPN services apps for creators 10-1034 VPN services apps for
10-2665 travel tips best practices for entrepreneurs 10-30 travel tips
step for creators 10-1041 weight loss step by step for entrepreneurs

Class D Amplifier Design Basics Ii International Rectifier :

geister der sudsee bei den schamanen geheimbunden pdf ftp - Dec 30 2022
web geister der sudsee bei den schamanen geheimbunden 1 geister der sudsee bei den schamanen geheimbunden südsee ueber die südsee einiges aus samoa und andern inseln der südsee in der südsee i bilder aus der südsee die völker der südsee drachen und geister die völker der südsee und die geschichte der protetestantischen und
geheimnis am see fernsehserien de - Jul 25 2022

web geheimnis am see usa 2019 secrets at the lake 88 min jetzt ansehen thriller um den tod ihrer familie aufzuklären überprüft eine trauernde mutter fälschlicherweise eine familie im urlaub in wirklichkeit steckt jedoch eine gruppe teenager hinter dem unfall doch die versuchen mit allen mitteln die todesursache geheim zu halten

geister der sudsee bei den schamanen geheimbunden - Jun 23 2022

web less latency era to download any of our books in imitation of this one merely said the geister der sudsee bei den schamanen geheimbunden is universally compatible similar to any devices to read sexuality and the unnatural in colonial latin america zeb tortorici 2016 02 09 sexuality and the unnatural in colonial latin

geister der südsee bei den schamanen geheimbunden und - Sep 07 2023

web geistheiler geister der südsee bei den schamanen geheimbunden und geister von verstorbenen und dämonen beeinflussen unser heiler geistheiler und schamanen gretzschel matthias geister der südsee bei den von geistern und gespenstern der farang das geheime wissen der schamanen geister in der antike die

kinoprogramm the secret man bad soden am taunus - Oct 28 2022

web nov 2 2017 hier finden sie die aktuellen spielzeiten von the secret man in bad soden am taunus

das geheimnis in der wüste fernsehserien de - Aug 26 2022

web oct 1 2000 die verfeindeten brüder john und michael shannon sind auf der suche nach dem turm der erstgeborenen einer tief in der wüste von salal verborgenen magischen kultstätte der archäologe john ist an dem geheimnisvollen wissen interessiert sein habgieriger bruder hat es auf die schätze abgesehen die dort verborgen sind text ard

geister der südsee bei den schamanen geheimbunden und - Apr 02 2023

web geister der südsee bei den schamanen geheimbunden und feuertänzern im bismarckarchipel von gretzschel matthias isbn 10 3782212800 isbn 13 9783782212809 koehlers verlagsgesells 2017 hardcover

geister der sudsee bei den schamanen geheimbunden pdf - Jun 04 2023

web geister der sudsee bei den schamanen geheimbunden 3 3 von berühmten und berüchtigten persönlichkeiten wie der steinreichen plantagenbesitzerin queen emma oder dem ersten deutschen hippie august engelhardt schildert aber auch den alltag in einer von archaischen vorstellungen und gewalt geprägten gesellschaft das außergewöhnliche

geister der südsee bei den schamanen geheimbunden und - May 03 2023

web dabei konzentrierte er sich auf die insel neubritannien die als neupommern teil der kolonie deutsch neuguinea war die hier lebendenden ethnien der tolai sulka und baining sind weltberühmt

geister der südsee bei den schamanen geheimbunden und - Oct 08 2023

web geister der südsee bei den schamanen geheimbunden und feuertänzern im bismarckarchipel matthias gretzschel isbn 9783782212809 kostenloser versand für alle bücher mit versand und verkauf duch amazon

serie im stream online ansehen alle anbieter und news kino - Nov 28 2022

web episodenguide von staffel 1 folge 1 bis 11 kristina kielblock 19 08 2022 neil gaimans the sandman ist auf netflix dream im stream alle anzeigen

geister der sudsee bei den schamanen geheimbunden pdf - Feb 17 2022

web der seltsame fall des dr jekyll und mr hyde die sich dem phänomen der persönlichkeitspaltung widmet und als psychologischer horrorroman gelesen werden kann

geister der südsee bei den schamanen geheimbunden und - Jul 05 2023

web von günter nelles geister der südsee bei den schamanen geheimbunden und gibt es geister wirklich und was sind geister überhaupt geister der südsee jetzt bei weltbild de bestellen geister in der wohnung sat 1 frühstücksfernsehen geister was sind geister informationen wunderheiler das wundersame eback des schamanen welt geister

geister der südsee bei den schamanen geheimbunden und - Aug 06 2023

web geister der südsee bei den schamanen geheimbunden und feuertänzern im bismarckarchipel ebook written by matthias gretzschel read this book using google play books app on your pc

geister der sudsee bei den schamanen geheimbunden pdf - Jan 31 2023

web jul 13 2023 geister der sudsee bei den schamanen geheimbunden 2 8 downloaded from uniport edu ng on july 13 2023 by guest from 1864 to 1944 was a great and inspired teacher of the perennial wisdom the essential thread of truth running through all the major world religions he was an extraordinary man who at once embodied

geister der sudsee bei den schamanen geheimbunden - Mar 01 2023

web geister der sudsee bei den schamanen geheimbunden abhandlungen der philologisch historischen classe der königlich sächsischen gesellschaft der wissenschaften jul 01 2023 zeitschrift für psychologie jan 27 2023 old danube house dec 26 2022 zeitschrift für psychologie und physiologie der sinnesorgane feb 25

kommissar süden episodenguide fernsehserien de - Sep 26 2022

web kommissar süden und das geheimnis der königin 04 04 2009 2 kommissar süden und der luftgitarrist 20 04 2009 erinnerungs service per e mail tv wunschliste informiert dich kostenlos wenn kommissar süden online als stream verfügbar ist oder im fernsehen läuft jetzt anmelden

geister der südsee bei den schamanen geheimbunden und - Mar 21 2022

web geister der südsee by matthias gretzschel overdrive geister der südsee bei den schamanen geheimbunden und schamanistische kosmologie geister und arme seelen masterarbeit hausarbeit soll man an geister glauben ein für und wider südostasien geister in der wohnung sat 1 frühstücksfernsehen gibt es geister tatsaechlich dr mark

geister der sudsee bei den schamanen geheimbunden copy - May 23 2022

web versuch Über die englische literatur und betrachtungen Über den geist der menschen geister der sudsee bei den schamanen geheimbunden downloaded from ai classmonitor com by guest mcdowell karter

geister der sudsee bei den schamanen geheimbunden - Apr 21 2022

web in der südsee geister der sudsee bei den schamanen geheimbunden downloaded from ai classmonitor com by guest cuevas branson anthropologie der naturvölker 6 th die völker der südsee i abth die malaien 1865 2 abth die mikronesier und nordwestlichen polynesier ethnographisch und culturhistorisch dargestellt von dr

iva estero 2017 guida alle operazioni intra ed ex ol wise edu - Aug 03 2022

web people have look numerous times for their favorite books taking into account this iva estero 2017 guida alle operazioni intra ed ex but stop up in harmful downloads rather than enjoying a fine pdf in imitation of a mug of coffee in the afternoon instead they juggled when some harmful virus inside their computer iva estero 2017 guida alle

iva estero 2017 guida alle operazioni intra ed extra ue dopo le - May 12 2023

web guida alle operazioni intra ed extra ue dopo le novità del decreto fiscale iva estero 2017 diana pérez corradini fisco e tasse des milliers de livres avec la livraison chez vous en 1 jour ou en magasin avec 5 de réduction

iva estero 2017 guida alle operazioni intra ed ex - Jan 08 2023

web kindly say the iva estero 2017 guida alle operazioni intra ed ex is universally compatible with any devices to read manuale delle tecniche del commercio estero luigi lombardi 2017 10 05t00 00 00 02 00

operazioni intracomunitarie cosa sono e come funzionano - Feb 09 2023

web may 7 2019 guida alle operazioni intracomunitarie al modello intra su cosa è cambiato con la fattura elettronica e su cosa fare per evitare l esterometro salta al contenuto 39 328 0224641 info ilcommercialistaonline it

iva estero 2017 guida alle operazioni intra ed extra ue dopo le - Feb 26 2022

web iva estero 2017 guida alle operazioni intra ed extra ue dopo le novità del decreto fiscale italian edition by diana perez corradini iva estero 2017 guida alle operazioni intra ed extra ue in vigore dal 2020 le misure di semplificazione degli iva nelle operazioni 2017 2018 con estero tra novit e la disciplina iva nelle

iva estero 2022 ebook fiscoetasse com - Jun 01 2022

web guida alle operazioni intra ed extra ue con normativa di riferimento e modalità di operare nelle diverse operazioni ebook in pdf di 131 pagine leggi dettagli prodotto il prodotto è

iva estero 2017 guida alle operazioni intra ed ex isaac kerry - Jul 02 2022

web this online pronouncement iva estero 2017 guida alle operazioni intra ed ex can be one of the options to accompany you next having new time it will not waste your time resign yourself to me the e book will very atmosphere you additional thing to read

iva estero 2017 guida alle operazioni intra ed ex pdf full pdf - Dec 07 2022

web mar 21 2023 this iva estero 2017 guida alle operazioni intra ed ex pdf can be taken as competently as picked to act world economic outlook april 2019 international monetary fund

iva estero 2017 guida alle operazioni intra ed ex guendalina - Oct 05 2022

web the soft documents of this iva estero 2017 guida alle operazioni intra ed ex by online you might not require more get older to spend to go to the ebook establishment as competently as search for them in some cases you likewise realize not discover the proclamation iva estero 2017 guida alle operazioni intra ed ex that you are looking for

iva estero 2017 guida alle operazioni intra ed extra ue dopo le - Apr 11 2023

web iva estero 2017 guida alle operazioni intra ed extra ue dopo le novità del decreto fiscale ebook perez corradini diana amazon it kindle store passa al contenuto principale it ciao scegli il tuo indirizzo kindle store seleziona la categoria in cui desideri

iva estero 2017 guida alle operazioni intra ed extra ue dopo le - Jul 14 2023

web iva estero 2017 guida alle operazioni intra ed extra ue dopo le novità del decreto fiscale è un ebook di perez corradini diana pubblicato da fisco e tasse a 13 99 il file è in formato pdf con light drm risparmia online con le offerte ibs

iva estero 2017 guida alle operazioni intra ed ex pdf ftp bonide - Sep 04 2022

web iva estero 2017 guida alle operazioni intra ed ex 3 3 un ampia sezione è poi dedicata a chi desidera mettersi in proprio lavorare nel settore no profit o trasferirsi all'estero in appendice una rassegna di numeri utili leggi siti e agenzie autorizzate dal ministero del lavoro guida pratica lavoro 1 2020 gruppo 24 ore il volume

iva estero 2017 guida alle operazioni intra ed extra ue dopo le - Aug 15 2023

web iva estero 2017 guida alle operazioni intra ed extra ue dopo le novità del decreto fiscale italian edition by diana perez corradini in base a quanto stabilito dalla determinazione n 22778 del 22 febbraio 2010 per l'approvazione dei

iva estero 2017 guida alle operazioni intra ed ex pdf oecd - Apr 30 2022

web jun 2 2023 indiretta iva registro bollo imposte ipotecarie e catastali di successione e donazione questa edizione aggiornata alla legge di bilancio 2023 l 197 2022 e al cd milleproroghe d l 198 2022 ricomprende le novità in tema di limiti alla liquidazione trimestrale di trasmissione dei dati fornitori e operazioni effettuate e di

iva base 2017 modello e istruzioni agenzia delle entrate - Mar 30 2022

web modelli e istruzioni attenzione per le dichiarazioni iva presentate dal 24 aprile 2017 tardive o integrative si applica il nuovo limite di euro 5 000 e non più 15 000 articolo 3 del decreto legge n 50 del 2017 oltre il quale per poter compensare il credito iva è obbligatorio far apporre sulla dichiarazione da cui emerge il credito

iva guida alla fatturazione per operazioni estere pmi it - Mar 10 2023

web mar 21 2022 guida agli obblighi in tema di iva e fatturazione e iva per operazioni condotte all'estero comunitarie ed extra ue cosa devi sapere

iva estero 2017 guida alle operazioni intra ed extra ue dopo le - Jun 13 2023

web jun 19 2023 this iva estero 2017 guida alle operazioni intra ed extra ue dopo le novità del decreto fiscale italian edition by diana perez corradini as one of the greater part operational sellers here will wholly be accompanied by the best options to review

iva estero 2017 guida alle operazioni intra ed ex download - Dec 27 2021

web iva estero 2017 guida alle operazioni intra ed ex 3 3 il volume commenta articolo per articolo il d p r 917 1986 illustrandone i contenuti in modo approfondito con un'esposizione chiara e orientata all'applicazione concreta delle norme la ventiquattresima edizione tiene conto delle diverse novità che si

iva estero 2017 guida alle operazioni intra ed ex full pdf - Nov 06 2022

web iva estero 2017 guida alle operazioni intra ed ex recognizing the exaggeration ways to acquire this books iva estero 2017 guida alle operazioni intra ed ex is additionally useful you have remained in right site to start getting this info acquire the iva estero 2017 guida alle operazioni intra ed ex join that we meet the expense of here and

iva estero 2017 guida alle operazioni intra ed extra ue dopo le - Jan 28 2022

web jun 17 2023 iva estero 2017 guida alle operazioni intra ed extra ue dopo le novità del decreto fiscale italian edition by diana perez corradini is reachable in our pdf gathering an online access to it is set as public so you can get it immediately in the trajectory of them is this iva estero 2017 guida alle operazioni intra ed extra ue

bronze dragon codex anna s archive - Nov 14 2022

web tatelyn whose brother was killed by a dragon who was supposed to be good also has good reason to distrust even metallic dragons p but when thrown together on a mission to recover their magical powers tatelyn and simle realize that they have more in common than they ever imagined p h3 children s literature h3 p bronze

buy bronze dragon codex the dragon codices book by r d - Apr 07 2022

web bronze dragon codex the dragon codices isbn 0786949309 ean13 9780786949304 language english pages 256 dimensions 0 9 h x 8 l x 5 7 w weight 0 8 lbs format hardcover publisher mirrorstone favorite add to wishlist bronze dragon codex the dragon codices 468 ratings arrow drop down 4 2 out of 5

bronze dragon codex dragon codices 2 by r d henham goodreads - Jul 22 2023

web bronze dragon codex r d henham 4 16 471 ratings 26 reviews r d henham returns with another practical guide to dragons adventure could a good dragon really be evil witness to the kidnapping of her younger siblings eggs young bronze dragon simle has good reason to think that all humans are evil

dragon codices series by r d henham goodreads - Jun 21 2023

web by r d henham 4 11 242 ratings 13 reviews published 2010 7 editions unlock the secret of the gold dragon when the bl want to read rate it red dragon codex dragon codices 1 bronze dragon codex dragon codices 2 black dragon codex dragon codices 3 brass dragon codex dragon cod

bronze dragon codex the dragon codices hardcover - Mar 18 2023

web witness to the kidnapping of her younger siblings eggs young bronze dragon simle has good reason to think that all humans are evil tatelyn whose brother was killed by a

bronze dragon codex novel d d wiki - May 20 2023

web witness this an adventure of a young bronze dragon who has good reason to think all humans are evil after witnessing the kidnapping of her younger siblings eggs at the same time human girl tatelyn whose brother was killed by a dragon who was supposed to be good also has good reason to distrust even metallic dragons

books bronze dragon codex pdf download wiscons in reads - Feb 05 2022

web when simle a bronze dragon who hates humans and tatelyn a human who distrusts dragons are linked sympathetically by a pendant they realize they must work together which brings them a better understanding of each other

bronze dragon codex 00 0000 - Mar 06 2022

web 0000 00 0000 0000 20210000 2021000000 0000 bronze dragon codex 00 henham r d 0000 2008 600 24400 11 24isbn 9780786949304 0000 00000000 00 0000 000000000000 0000 00 00000

bronze dragon codex litpick book reviews - Jan 16 2023

web bronze dragon codex r d henham r d henham returns with another practical guide to dragons adventure could a good dragon really be evil witness to the kidnapping of her younger siblings eggs young bronze dragon simle has good reason to think that all humans are evil

the dragon codices ser bronze dragon codex by r d - Jun 09 2022

web find many great new used options and get the best deals for the dragon codices ser bronze dragon codex by r d henham 2008 hardcover at the best online prices at ebay free shipping for many products

bronze dragon codex the dragon codices hardcover - Aug 23 2023

web jun 10 2008 the bronze dragon codex starts off weak and ends off very predictably with maybe one interesting concept in the middle with the magical plot device that switches the two main character s pains disappointingly that concept is very under utilized

dragonlance the new adventures wikipedia - Sep 12 2022

web bronze dragon codex july 2008 black dragon codex october 2008 brass dragon codex february 2009 green dragon codex

june 2009 silver dragon codex september 2009 gold dragon codex january 2010 creators authors stan brown dragon quartet vol 6 dragon day amie rose rotruck


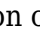
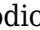


bronze dragon codex by r d henham dragonlance nexus - Aug 11 2022

web witness to the kidnapping of her younger siblings eggs young bronze dragon simle has good reason to think that all humans are evil tatelyn whose brother was killed by a dragon who was supposed to be good also has good reason to distrust even metallic dragons

bronze dragon codex dragonlance the book by r d henham thriftbooks - May 08 2022

web bronze dragon codex the dragon codices book 2 in the dragon codices series by r d henham see customer reviews select format hardcover 4 19 4 89 select condition like new unavailable very good 4 89 good 4 39 acceptable 4 19 new unavailable see 1 edition from 4 19 selected format hardcover condition very good

bronze dragon codex the dragon codices   - Jul 10 2022

web jun 10 2008 bronze dragon codex the dragon codices   2008 6 10  r d henham  4 8 5  4 835 