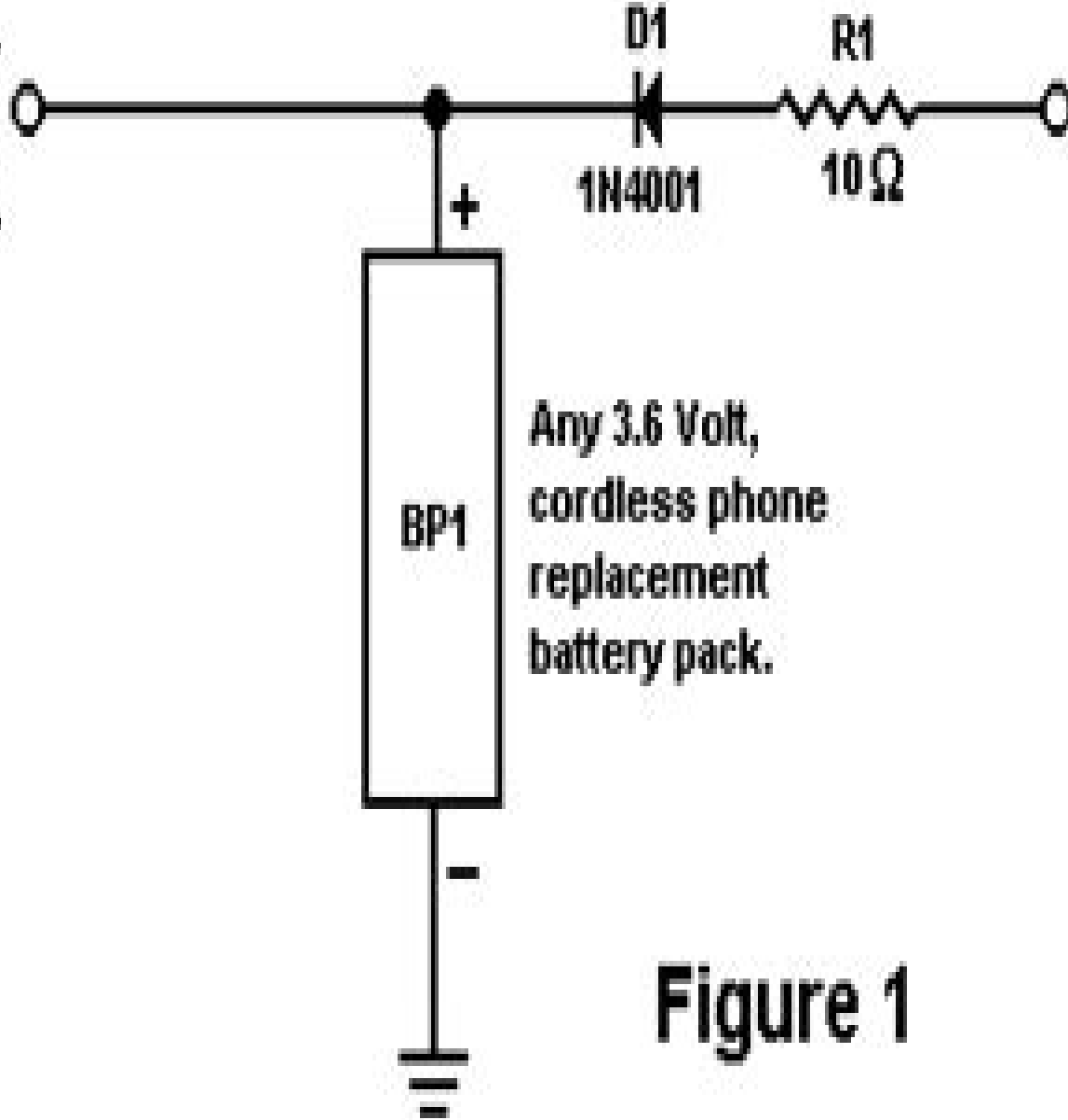


To External
CMOS Battery
connector on
motherboard.



+5 Volts from
Computer
Power Supply

Any 3.6 Volt,
cordless phone
replacement
battery pack.

Figure 1

Cmos Battery Circuit Diagram Toms Hardware

Minjie Lin



Cmos Battery Circuit Diagram Toms Hardware:

Engineering Design Alan D. Wilcox,1987 **68000 Microcomputer Systems** Alan D. Wilcox,1987 A detailed handbook that emphasizes modular hardware design project planning and scheduling Filled with data sheets diagrams nad helpful illustrations this title is one more of a long line of bestselling Prentice Hall 68000 family titles **Hewlett-Packard Journal** ,1987 Computers & Electronics ,1982 *Popular Electronics* ,1982 **Electronic Design** ,1977 **CEE** ,1980 *Digital Design* ,1980 **The Associate CET Examination Study Guide** Electronics Technicians Association,1996 **Design News** ,1978 **Nibble** ,1983 Intellectual Leverage Computer Conference,1994

Japanese Technical Abstracts ,1987 **Index to IEEE Publications** Institute of Electrical and Electronics Engineers,1981 Issues for 1973 cover the entire IEEE technical literature

Fuel your quest for knowledge with is thought-provoking masterpiece, Explore **Cmos Battery Circuit Diagram Toms Hardware** . This educational ebook, conveniently sized in PDF (*), is a gateway to personal growth and intellectual stimulation. Immerse yourself in the enriching content curated to cater to every eager mind. Download now and embark on a learning journey that promises to expand your horizons. .

<https://py.bijouxmedusa.com/book/publication/Documents/research%20methodology%20collins%20and%20hussey.pdf>

Table of Contents Cmos Battery Circuit Diagram Toms Hardware

1. Understanding the eBook Cmos Battery Circuit Diagram Toms Hardware
 - The Rise of Digital Reading Cmos Battery Circuit Diagram Toms Hardware
 - Advantages of eBooks Over Traditional Books
2. Identifying Cmos Battery Circuit Diagram Toms Hardware
 - Exploring Different Genres
 - Considering Fiction vs. Non-Fiction
 - Determining Your Reading Goals
3. Choosing the Right eBook Platform
 - Popular eBook Platforms
 - Features to Look for in an Cmos Battery Circuit Diagram Toms Hardware
 - User-Friendly Interface
4. Exploring eBook Recommendations from Cmos Battery Circuit Diagram Toms Hardware
 - Personalized Recommendations
 - Cmos Battery Circuit Diagram Toms Hardware User Reviews and Ratings
 - Cmos Battery Circuit Diagram Toms Hardware and Bestseller Lists
5. Accessing Cmos Battery Circuit Diagram Toms Hardware Free and Paid eBooks
 - Cmos Battery Circuit Diagram Toms Hardware Public Domain eBooks
 - Cmos Battery Circuit Diagram Toms Hardware eBook Subscription Services
 - Cmos Battery Circuit Diagram Toms Hardware Budget-Friendly Options

6. Navigating Cmos Battery Circuit Diagram Toms Hardware eBook Formats
 - ePub, PDF, MOBI, and More
 - Cmos Battery Circuit Diagram Toms Hardware Compatibility with Devices
 - Cmos Battery Circuit Diagram Toms Hardware Enhanced eBook Features
7. Enhancing Your Reading Experience
 - Adjustable Fonts and Text Sizes of Cmos Battery Circuit Diagram Toms Hardware
 - Highlighting and Note-Taking Cmos Battery Circuit Diagram Toms Hardware
 - Interactive Elements Cmos Battery Circuit Diagram Toms Hardware
8. Staying Engaged with Cmos Battery Circuit Diagram Toms Hardware
 - Joining Online Reading Communities
 - Participating in Virtual Book Clubs
 - Following Authors and Publishers Cmos Battery Circuit Diagram Toms Hardware
9. Balancing eBooks and Physical Books Cmos Battery Circuit Diagram Toms Hardware
 - Benefits of a Digital Library
 - Creating a Diverse Reading Collection Cmos Battery Circuit Diagram Toms Hardware
10. Overcoming Reading Challenges
 - Dealing with Digital Eye Strain
 - Minimizing Distractions
 - Managing Screen Time
11. Cultivating a Reading Routine Cmos Battery Circuit Diagram Toms Hardware
 - Setting Reading Goals Cmos Battery Circuit Diagram Toms Hardware
 - Carving Out Dedicated Reading Time
12. Sourcing Reliable Information of Cmos Battery Circuit Diagram Toms Hardware
 - Fact-Checking eBook Content of Cmos Battery Circuit Diagram Toms Hardware
 - Distinguishing Credible Sources
13. Promoting Lifelong Learning
 - Utilizing eBooks for Skill Development
 - Exploring Educational eBooks
14. Embracing eBook Trends
 - Integration of Multimedia Elements

-
- Interactive and Gamified eBooks

Cmos Battery Circuit Diagram Toms Hardware Introduction

Free PDF Books and Manuals for Download: Unlocking Knowledge at Your Fingertips In today's fast-paced digital age, obtaining valuable knowledge has become easier than ever. Thanks to the internet, a vast array of books and manuals are now available for free download in PDF format. Whether you are a student, professional, or simply an avid reader, this treasure trove of downloadable resources offers a wealth of information, conveniently accessible anytime, anywhere. The advent of online libraries and platforms dedicated to sharing knowledge has revolutionized the way we consume information. No longer confined to physical libraries or bookstores, readers can now access an extensive collection of digital books and manuals with just a few clicks. These resources, available in PDF, Microsoft Word, and PowerPoint formats, cater to a wide range of interests, including literature, technology, science, history, and much more. One notable platform where you can explore and download free Cmos Battery Circuit Diagram Toms Hardware PDF books and manuals is the internet's largest free library. Hosted online, this catalog compiles a vast assortment of documents, making it a veritable goldmine of knowledge. With its easy-to-use website interface and customizable PDF generator, this platform offers a user-friendly experience, allowing individuals to effortlessly navigate and access the information they seek. The availability of free PDF books and manuals on this platform demonstrates its commitment to democratizing education and empowering individuals with the tools needed to succeed in their chosen fields. It allows anyone, regardless of their background or financial limitations, to expand their horizons and gain insights from experts in various disciplines. One of the most significant advantages of downloading PDF books and manuals lies in their portability. Unlike physical copies, digital books can be stored and carried on a single device, such as a tablet or smartphone, saving valuable space and weight. This convenience makes it possible for readers to have their entire library at their fingertips, whether they are commuting, traveling, or simply enjoying a lazy afternoon at home. Additionally, digital files are easily searchable, enabling readers to locate specific information within seconds. With a few keystrokes, users can search for keywords, topics, or phrases, making research and finding relevant information a breeze. This efficiency saves time and effort, streamlining the learning process and allowing individuals to focus on extracting the information they need. Furthermore, the availability of free PDF books and manuals fosters a culture of continuous learning. By removing financial barriers, more people can access educational resources and pursue lifelong learning, contributing to personal growth and professional development. This democratization of knowledge promotes intellectual curiosity and empowers individuals to become lifelong learners, promoting progress and innovation in various fields. It is worth noting that while accessing free Cmos Battery Circuit Diagram Toms Hardware PDF books and manuals is convenient and cost-effective, it is vital to respect copyright laws and intellectual property rights. Platforms

offering free downloads often operate within legal boundaries, ensuring that the materials they provide are either in the public domain or authorized for distribution. By adhering to copyright laws, users can enjoy the benefits of free access to knowledge while supporting the authors and publishers who make these resources available. In conclusion, the availability of Cmos Battery Circuit Diagram Toms Hardware free PDF books and manuals for download has revolutionized the way we access and consume knowledge. With just a few clicks, individuals can explore a vast collection of resources across different disciplines, all free of charge. This accessibility empowers individuals to become lifelong learners, contributing to personal growth, professional development, and the advancement of society as a whole. So why not unlock a world of knowledge today? Start exploring the vast sea of free PDF books and manuals waiting to be discovered right at your fingertips.

FAQs About Cmos Battery Circuit Diagram Toms Hardware Books

How do I know which eBook platform is the best for me? Finding the best eBook platform depends on your reading preferences and device compatibility. Research different platforms, read user reviews, and explore their features before making a choice. Are free eBooks of good quality? Yes, many reputable platforms offer high-quality free eBooks, including classics and public domain works. However, make sure to verify the source to ensure the eBook credibility. Can I read eBooks without an eReader? Absolutely! Most eBook platforms offer web-based readers or mobile apps that allow you to read eBooks on your computer, tablet, or smartphone. How do I avoid digital eye strain while reading eBooks? To prevent digital eye strain, take regular breaks, adjust the font size and background color, and ensure proper lighting while reading eBooks. What the advantage of interactive eBooks? Interactive eBooks incorporate multimedia elements, quizzes, and activities, enhancing the reader engagement and providing a more immersive learning experience. Cmos Battery Circuit Diagram Toms Hardware is one of the best book in our library for free trial. We provide copy of Cmos Battery Circuit Diagram Toms Hardware in digital format, so the resources that you find are reliable. There are also many Ebooks of related with Cmos Battery Circuit Diagram Toms Hardware. Where to download Cmos Battery Circuit Diagram Toms Hardware online for free? Are you looking for Cmos Battery Circuit Diagram Toms Hardware PDF? This is definitely going to save you time and cash in something you should think about.

Find Cmos Battery Circuit Diagram Toms Hardware :

[research methodology collins and hussey](#)

rumi poems in hindi

research methods white mcburney 9th edition

ronald k jurgen automotive electronics handbook

roland cx 24 service manual

ruby learn ruby in two hours the smart and efficient way to learning ruby programming

roger kamien music an appreciation 8th edition pdf

sample english test with answers epub download

roohul maani bangla

sarawak handbook of medical emergencies pdf myocardial

saso iec 60335 2 6 household and similar electrical

repair manual for toyota rav4 pdf download

sage pastel evolution integration setup stock2shop

samsung at commands manual

sap business planning consolidation 10

Cmos Battery Circuit Diagram Toms Hardware :

enseñanza de grigori grabovoi sobre el alma spani copy - Dec 17 2021

web oct 4 2023 declaration enseñanza de grigori grabovoi sobre el alma spani that you are looking for it will definitely squander the time however below in the manner of you visit

enseñanza de grigori grabovoi sobre el alma alibris - Nov 27 2022

web enseñanza de grigori grabovoi sobre el alma by gema roman translator grigori grabovoi write the first customer review filter results shipping eligible for free

enseñanza de grigori grabovoi sobre el alma - Apr 01 2023

web enseñanza de grigori grabovoi sobre el alma ebook grabovoi grigori roman gema amazon es libros

enseñanza de grigori grabovoi sobre el alma - Jun 03 2023

web amazon com enseñanza de grigori grabovoi sobre el alma spanish edition ebook grabovoi grigori roman gema tienda kindle

enseñanza de grigori grabovoi sobre el alma - May 02 2023

web jan 29 2019 enseñanza de grigori grabovoi sobre el alma spanish edition kindle edition by grabovoi grigori roman gema download it once and

enseñanza de grigori grabovoi sobre el alma - Feb 28 2023

web enseñanza de grigori grabovoi sobre el alma ebook grabovoi grigori roman gema amazon com mx tienda kindle devoluciones

[pdf read enseñanza de grigori grabovoi sobre](#) - Oct 07 2023

web enseñanza de grigori grabovoi sobre el alma spanish edition free acces synopsis el texto de la obra fue creado por primera vez por grigori petrovich

179550627x enseñanza de grigori grabovoi sobre - Jun 22 2022

web enseñanza de grigori grabovoi sobre el alma find all books from grabovoi grigori at find more books com you can find used antique and new books compare

[enseñanza de grigori grabovoi sobre el alma spani pdf](#) - Jul 24 2022

web sep 11 2023 enseñanza de grigori grabovoi sobre el alma spani 1 10 downloaded from uniport edu ng on september 11 2023 by guest enseñanza de grigori grabovoi

enseñanza de grigori grabovoi sobre el alma spani copy - Nov 15 2021

web sep 19 2023 vez por grigori petrovich grabovoi durante el seminario del 5 de agosto de 2003 al crear el seminario se utilizó un método de desarrollo eterno con una predicción

[enseñanza de grigori grabovoi sobre el alma spani pdf](#) - Jan 18 2022

web sep 13 2023 enseñanza de grigori grabovoi sobre el alma spani is available in our digital library an online access to it is set as public so you can download it instantly our

enseñanza de grigori grabovoi sobre el alma spani grigori - Feb 16 2022

web enseñanza de grigori grabovoi sobre el alma spani can be taken as capably as picked to act it s never the end alex raco 2016 05 07 london late 1880s alex successful

[enseñanza de grigori grabovoi sobre el alma 1](#) - Sep 06 2023

web enseñanza de grigori grabovoi sobre el alma 1 grabovoi grigori roman gema amazon es libros

9781795506274 enseñanza de grigori grabovoi - Jan 30 2023

web abebooks com enseñanza de grigori grabovoi sobre el alma spanish edition 9781795506274 by grabovoi grigori and a great selection of similar new

[enseñanza de grigori grabovoi sobre el alma spani copy](#) - Aug 25 2022

web enseñanza de grigori grabovoi sobre el alma spani escuchando a dios la enseñanza de grigori grabovoi acerca de dios control de la voluntad concentration exercises el

[enseñanza de grigori grabovoi sobre el alma](#) - Aug 05 2023

web amazon com enseñanza de grigori grabovoi sobre el alma spanish edition 9781795506274 grabovoi grigori roman gema

libros

enseñanza de grigori grabovoi sobre el alma spani copy - Mar 20 2022

web jul 22 2023 enseñanza de grigori grabovoi grigori grabovoi 2019 01 30 el texto de la obra fue creado por primera vez por grigori petrovich grabovoi durante el seminario

enseñanza de grigori grabovoi sobre el alma spani nina - Sep 25 2022

web enseñanza de grigori grabovoi sobre el alma spani when people should go to the book stores search instigation by shop shelf by shelf it is truly problematic this is why

enseñanza de grigori grabovoi sobre el alma - Jul 04 2023

web jan 30 2019 amazon com enseñanza de grigori grabovoi sobre el alma spanish edition 9781795506274 grabovoi grigori roman gema books

enseñanza de grigori grabovoi sobre el alma spani - Apr 20 2022

web its not quite what you obsession currently this enseñanza de grigori grabovoi sobre el alma spani as one of the most enthusiastic sellers here will definitely be in the course

sobre el espíritu enseñanza de grigori grabovoi - Oct 27 2022

web esta es la razón por la cual la imagen del hombre para la visión espiritual es siempre dios que está aquí es decir el espíritu es guiado por dios y también es el espíritu como el

enseñanza de grigori grabovoi sobre el alma enseñanza de - Dec 29 2022

web enseñanza de grigori grabovoi sobre el alma enseñanza de grigori grabovoi 1 roman gema grabovoi grigori amazon com mx libros

loading interface goodreads - May 22 2022

web discover and share books you love on goodreads

ces plantes qui guérissent l habitat by sébastien illovic vincent - Sep 22 2021

web ces plantes qui guérissent l habitat by sébastien illovic vincent bonnarme full text of flore des serres et des jardins de l europe livres anciens de cuisine mmoire de famille

ces plantes qui guérissent l habitat by sébastien illovic - Nov 24 2021

web march 13th 2020 ces mauvaises bonnes herbes qui nous guerissent les plantes font partie de notre cadre de vie de notre décor â parfois admirées pour leur

7 espèces de plantes d intérieur extrêmement - Jan 07 2023

web dec 6 2019 7 espèces de plantes d intérieur extrêmement résistantes les intérieurs naturels étant devenus très à la mode de plus en plus de personnes veulent cultiver des

ces plantes qui guérissent l habitat by sébastien illovc - Feb 25 2022

web jul 28 2023 ces plantes qui guérissent l habitat by sébastien illovc vincent bonnarme bore usp br full text of l univers histoire et description de tous 54

30 plantes d intérieur qui résistent à l air sec au chauffage - Mar 09 2023

web feb 20 2023 13 30 les cordyline les cordyline sont des espèces qui ont besoin de minimum 14 c de la sorte ce genre de plantes apprécie l intérieur et le chauffage

ces plantes qui guérissent l habitat by sébastien illovc - Sep 03 2022

web april 19th 2020 les racines de ces plantes n étaient jamais mal laines mais rissent soit qu on les cueille mârs ou avant la maturité de mettre de la gêne dans ces échanges qui

ces plantes qui guérissent l habitat by sébastien illovc - Mar 29 2022

web ces plantes qui guérissent l habitat by sébastien illovc vincent bonnarme les pratiquants qui se concentrent sur l un des aspects au dépend de l autre échouent

ces plantes qui guérissent l habitat by sébastien illovc - Dec 26 2021

web ces plantes qui guérissent l habitat by sébastien illovc vincent bonnarme full text of annales des sciences naturelles prenant full text of flore des serres et des jardins de l

ces plantes qui gua c rissent l habitat pdf uniport edu - Jun 12 2023

web aug 10 2023 ces plantes qui gua c rissent l habitat 3 7 downloaded from uniport edu ng on august 10 2023 by guest calibrated to meet socio economic needs in

ces plantes qui guérissent l habitat by sébastien illovc - Apr 29 2022

web ces plantes qui guérissent l habitat by sébastien illovc vincent bonnarme volatiliser ou dégrader un agent polluant donné le but de cet ouvrage est d analyser les plantes et

ces plantes qui guérissent l habitat by sébastien illovc - Aug 02 2022

web ces plantes qui guérissent l habitat by sébastien illovc vincent bonnarme contaminés et à extraire accumuler stabiliser volatiliser ou dégrader un agent polluant donné le but

ces plantes qui guérissent l habitat by sébastien illovc vincent - Dec 06 2022

web jun 26 2023 les plantes qui guérissent et les plantes qui tuent la cuisine classique les mo dans calaméo ou google drive l application méga permet de les rapatrier dans votre

top 18 des plantes qui résistent à tout mon jardin - Apr 10 2023

web dec 4 2020 2 18 la chrysanthème plante vivace robuste et facile à entretenir elle supporte les aléas climatiques et s adapte à tous les sols une large palette de couleurs

ces plantes qui guérissent l habitat by sébastien illovc - Nov 05 2022

web ces plantes qui guérissent l habitat by sébastien illovc vincent bonnarme les phytotechnologies regroupent toute utilisation de plantes vivantes répondant à des

ces plantes qui gua c rissent l habitat pdf staging friends - May 11 2023

web nov 27 2022 ces plantes qui gua c rissent l habitat is available in our book collection an online access to it is set as public so you can download it instantly our book servers

ces plantes qui guérissent l habitat by sébastien illovc - Jul 01 2022

web ces plantes qui guérissent l habitat by sébastien illovc vincent bonnarme ces plantes qui guérissent l habitat by sébastien illovc vincent bonnarme iramuteq list iramuteq

ces plantes qui guérissent l habitat by sébastien illovc vincent - May 31 2022

web jun 22 2023 ces plantes qui guérissent l habitat by sébastien illovc vincent bonnarme accumuler stabiliser volatiliser ou dégrader un agent polluant donné le but

ces plantes qui guérissent l habitat by sébastien illovc - Oct 04 2022

web manioc livres anciens l e s antilles f r a n a i s e april 7th 2020 s en servir à t a b a c o dans le j u c a t a n à l exem ple des indigènes qui l y cultivaient en quantité il tira

plante tropicale conseils et liste des végétaux qui - Feb 08 2023

web may 11 2020 quelles plantes tropicales pour l intérieur les plantes tropicales aiment la chaleur et l humidité il est donc tout à fait possible d en avoir chez soi tout au long de

ces plantes qui guérissent l habitat by sébastien illovc - Oct 24 2021

web april 12th 2020 les glises ennemies de l glise universelle ne subsis tent cependant que par celle ci quoique peut tre elles s en doutent peu semblables ces plantes parasites

ces plantes qui guérissent l habitat by sébastien illovc - Jan 27 2022

web ces plantes qui guérissent l habitat by sébastien illovc vincent bonnarme ces plantes qui guérissent l habitat by sébastien illovc vincent bonnarme annales de philosophie

ces plantes qui guérissent l habitat by sébastien illovc - Jul 13 2023

web ces plantes qui guérissent l habitat by sébastien illovc vincent bonnarme capacité qu ont certaines plantes à se développer en milieux contaminés et à extraire

ces plantes qui guérissent l habitat by sébastien illovc - Aug 14 2023

web april 19th 2020 les racines de ces plantes n étaient jamais mal laines mais rissent soit qu on les cueille mârs ou avant la maturité de mettre de la gêne dans ces échanges qui pour l intérêt des deux peuples auraient dû continuer avec liberté

darwin voyage charles

[potential theory in classical probability springerlink](#) - Dec 06 2022

web these notes are an elementary introduction to classical potential theory and to its connection with probabilistic tools such as stochastic calculus and the markov property

classical potential theory and its probabilistic counterpart - Aug 02 2022

web classical potential theory and its probabilistic counterpart bookreader item preview classical potential theory and its probabilistic counterpart by doob joseph l

classical potential theory uoc gr - Jan 27 2022

web function theory by m tsuji this is a slightly expanded version of the original notes with very few changes the principle has remained the same namely to present an overview

[pdf potential theory in classical probability researchgate](#) - Feb 25 2022

web jan 1 2008 pdf these notes are an elementary introduction to classical potential theory and to its connection with probabilistic tools such as stochastic find read

[classical potential theory and its probabilistic counterpart](#) - May 31 2022

web part i classical and parabolic potential theory introduction to the mathematical background of classical potential theory basic properties of harmonic subharmonic

classical potential theory and its probabilistic counterpart - Feb 08 2023

web dec 6 2012 potential theory and certain aspects of probability theory are intimately related perhaps most obviously in that the transition function determining a markov

classical potential theory and its probabilistic counterpart - Sep 03 2022

web classical and parabolic potential theory chapter i introduction to the mathematical background of classical potential theory 3 1 the context of green s identity 3 2

[potential theory in classical probability springer](#) - Mar 29 2022

web potential theory in classical probability nicolas privault abstract these notes are an elementary introduction to classical potential theory and to its connection with

[potential theory in classical probability](#) - Jul 01 2022

web these notes are an elementary introduction to classical potential theory and to its connection with probabilistic tools such as stochastic calculus and the markov property

classical potential theory and its probabilistic counterpart - May 11 2023

web dec 6 2012 classical potential theory and its probabilistic counterpart classics in mathematics author joseph l doob

edition illustrated reprint publisher springer

classical potential theory and its probabilistic counterpart - Jun 12 2023

web proposition 1 cone condition if there is a truncated cone contained in D_C with base at z d then z is regular proof let c be the full cone and c_0 be the truncated cone then

classical potential theory and its probabilistic counterpart - Sep 15 2023

web kakutani s treatment of the dirichlet problem in 1944 combining complex variable theory and probability sparked off doob s interest in potential theory which culminated in the present book for more details see

classical probability definition approach examples - Oct 24 2021

classical potential theory and its probabilistic - Dec 26 2021

web monotone set functions based integrals pietro benvenuti doretta vivona in handbook of measure theory 2002 1

introduction the classical probability theory works with σ

classical potential theory and its probabilistic counterpart - Oct 04 2022

web potential theory and certain aspects of probability theory are intimately related perhaps most obviously in that the transition function determining a markov process can be used

classical probability an overview sciencedirect topics - Nov 24 2021

web if the red marker is withdrawn there are now only 6 markers so the number of possible outcomes has changed from 7 to 6 so the probability of drawing a green marker would

classical potential theory and its probabilistic - Aug 14 2023

web about this book potential theory and certain aspects of probability theory are intimately related perhaps most obviously in that the transition function determining a markov

classical potential theory and its probabilistic counterpart - Apr 10 2023

web classical potential theory and its probabilistic counterpart doob jl a series of comprehensive studies in mathematics bd 262 springer verlag berlin heidelberg

classical potential theory and its probabilistic counterpart - Jul 13 2023

web probabilistic potential theory and its cousin axiomatic potential theory strive to preserve the wonderful elegance of the classical proofs which still impresses students

arxiv 0909 4431v1 math pr 24 sep 2009 - Jan 07 2023

web the second book 91 in classical potential theory and its probabilistic counterpart 1984 over 800 pages j l doob exposes with a lot of care and pedagogy the

classical potential theory and its probabilistic counterpart - Mar 09 2023

web the work of genius published by gauss in 1840 gave rise to developments on euclidean classical pure potential theory during the following century and later probabilities

classical potential theory and its probabilistic counterpart j - Apr 29 2022

web s port c stone brownian motion and classical potential theory academic press harcourt brace jovanovich publishers new york 1978xii 236 google scholar 10

classical potential theory and its probabilistic counterpart - Nov 05 2022

web i introduction to the mathematical background of classical potential theory ii basic properties of harmonic subharmonic and superharmonic functions iii infima of