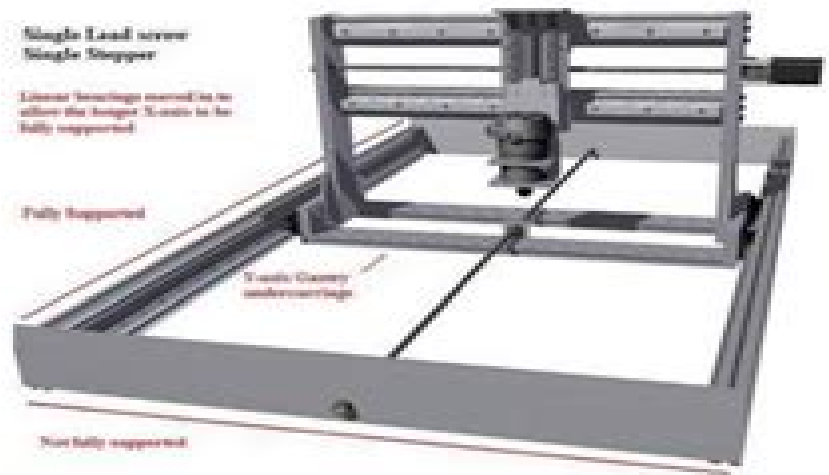


Build a CNC Router



Cnc Machine Diy Plans And Build Instructions

RD Boyd



Cnc Machine Diy Plans And Build Instructions:

Embark on a breathtaking journey through nature and adventure with is mesmerizing ebook, Witness the Wonders in **Cnc Machine Diy Plans And Build Instructions** . This immersive experience, available for download in a PDF format (Download in PDF: *), transports you to the heart of natural marvels and thrilling escapades. Download now and let the adventure begin!

https://py.bijouxmedusa.com/About/virtual-library/index.jsp/Bible_Quiz_And_Answers.pdf

Table of Contents Cnc Machine Diy Plans And Build Instructions

1. Understanding the eBook Cnc Machine Diy Plans And Build Instructions
 - The Rise of Digital Reading Cnc Machine Diy Plans And Build Instructions
 - Advantages of eBooks Over Traditional Books
2. Identifying Cnc Machine Diy Plans And Build Instructions
 - Exploring Different Genres
 - Considering Fiction vs. Non-Fiction
 - Determining Your Reading Goals
3. Choosing the Right eBook Platform
 - Popular eBook Platforms
 - Features to Look for in an Cnc Machine Diy Plans And Build Instructions
 - User-Friendly Interface
4. Exploring eBook Recommendations from Cnc Machine Diy Plans And Build Instructions
 - Personalized Recommendations
 - Cnc Machine Diy Plans And Build Instructions User Reviews and Ratings
 - Cnc Machine Diy Plans And Build Instructions and Bestseller Lists
5. Accessing Cnc Machine Diy Plans And Build Instructions Free and Paid eBooks
 - Cnc Machine Diy Plans And Build Instructions Public Domain eBooks
 - Cnc Machine Diy Plans And Build Instructions eBook Subscription Services
 - Cnc Machine Diy Plans And Build Instructions Budget-Friendly Options

6. Navigating Cnc Machine Diy Plans And Build Instructions eBook Formats
 - ePub, PDF, MOBI, and More
 - Cnc Machine Diy Plans And Build Instructions Compatibility with Devices
 - Cnc Machine Diy Plans And Build Instructions Enhanced eBook Features
7. Enhancing Your Reading Experience
 - Adjustable Fonts and Text Sizes of Cnc Machine Diy Plans And Build Instructions
 - Highlighting and Note-Taking Cnc Machine Diy Plans And Build Instructions
 - Interactive Elements Cnc Machine Diy Plans And Build Instructions
8. Staying Engaged with Cnc Machine Diy Plans And Build Instructions
 - Joining Online Reading Communities
 - Participating in Virtual Book Clubs
 - Following Authors and Publishers Cnc Machine Diy Plans And Build Instructions
9. Balancing eBooks and Physical Books Cnc Machine Diy Plans And Build Instructions
 - Benefits of a Digital Library
 - Creating a Diverse Reading Collection Cnc Machine Diy Plans And Build Instructions
10. Overcoming Reading Challenges
 - Dealing with Digital Eye Strain
 - Minimizing Distractions
 - Managing Screen Time
11. Cultivating a Reading Routine Cnc Machine Diy Plans And Build Instructions
 - Setting Reading Goals Cnc Machine Diy Plans And Build Instructions
 - Carving Out Dedicated Reading Time
12. Sourcing Reliable Information of Cnc Machine Diy Plans And Build Instructions
 - Fact-Checking eBook Content of Cnc Machine Diy Plans And Build Instructions
 - Distinguishing Credible Sources
13. Promoting Lifelong Learning
 - Utilizing eBooks for Skill Development
 - Exploring Educational eBooks
14. Embracing eBook Trends
 - Integration of Multimedia Elements

- Interactive and Gamified eBooks

Cnc Machine Diy Plans And Build Instructions Introduction

In this digital age, the convenience of accessing information at our fingertips has become a necessity. Whether its research papers, eBooks, or user manuals, PDF files have become the preferred format for sharing and reading documents. However, the cost associated with purchasing PDF files can sometimes be a barrier for many individuals and organizations. Thankfully, there are numerous websites and platforms that allow users to download free PDF files legally. In this article, we will explore some of the best platforms to download free PDFs. One of the most popular platforms to download free PDF files is Project Gutenberg. This online library offers over 60,000 free eBooks that are in the public domain. From classic literature to historical documents, Project Gutenberg provides a wide range of PDF files that can be downloaded and enjoyed on various devices. The website is user-friendly and allows users to search for specific titles or browse through different categories. Another reliable platform for downloading Cnc Machine Diy Plans And Build Instructions free PDF files is Open Library. With its vast collection of over 1 million eBooks, Open Library has something for every reader. The website offers a seamless experience by providing options to borrow or download PDF files. Users simply need to create a free account to access this treasure trove of knowledge. Open Library also allows users to contribute by uploading and sharing their own PDF files, making it a collaborative platform for book enthusiasts. For those interested in academic resources, there are websites dedicated to providing free PDFs of research papers and scientific articles. One such website is Academia.edu, which allows researchers and scholars to share their work with a global audience. Users can download PDF files of research papers, theses, and dissertations covering a wide range of subjects. Academia.edu also provides a platform for discussions and networking within the academic community. When it comes to downloading Cnc Machine Diy Plans And Build Instructions free PDF files of magazines, brochures, and catalogs, Issuu is a popular choice. This digital publishing platform hosts a vast collection of publications from around the world. Users can search for specific titles or explore various categories and genres. Issuu offers a seamless reading experience with its user-friendly interface and allows users to download PDF files for offline reading. Apart from dedicated platforms, search engines also play a crucial role in finding free PDF files. Google, for instance, has an advanced search feature that allows users to filter results by file type. By specifying the file type as "PDF," users can find websites that offer free PDF downloads on a specific topic. While downloading Cnc Machine Diy Plans And Build Instructions free PDF files is convenient, its important to note that copyright laws must be respected. Always ensure that the PDF files you download are legally available for free. Many authors and publishers voluntarily provide free PDF versions of their work, but its essential to be cautious and verify the authenticity of the source before downloading Cnc Machine Diy Plans And Build Instructions. In conclusion, the internet offers numerous platforms and websites that allow

users to download free PDF files legally. Whether its classic literature, research papers, or magazines, there is something for everyone. The platforms mentioned in this article, such as Project Gutenberg, Open Library, Academia.edu, and Issuu, provide access to a vast collection of PDF files. However, users should always be cautious and verify the legality of the source before downloading Cnc Machine Diy Plans And Build Instructions any PDF files. With these platforms, the world of PDF downloads is just a click away.

FAQs About Cnc Machine Diy Plans And Build Instructions Books

How do I know which eBook platform is the best for me? Finding the best eBook platform depends on your reading preferences and device compatibility. Research different platforms, read user reviews, and explore their features before making a choice. Are free eBooks of good quality? Yes, many reputable platforms offer high-quality free eBooks, including classics and public domain works. However, make sure to verify the source to ensure the eBook credibility. Can I read eBooks without an eReader? Absolutely! Most eBook platforms offer web-based readers or mobile apps that allow you to read eBooks on your computer, tablet, or smartphone. How do I avoid digital eye strain while reading eBooks? To prevent digital eye strain, take regular breaks, adjust the font size and background color, and ensure proper lighting while reading eBooks. What the advantage of interactive eBooks? Interactive eBooks incorporate multimedia elements, quizzes, and activities, enhancing the reader engagement and providing a more immersive learning experience. Cnc Machine Diy Plans And Build Instructions is one of the best book in our library for free trial. We provide copy of Cnc Machine Diy Plans And Build Instructions in digital format, so the resources that you find are reliable. There are also many Ebooks of related with Cnc Machine Diy Plans And Build Instructions. Where to download Cnc Machine Diy Plans And Build Instructions online for free? Are you looking for Cnc Machine Diy Plans And Build Instructions PDF? This is definitely going to save you time and cash in something you should think about.

Find Cnc Machine Diy Plans And Build Instructions :

[bible quiz and answers](#)

[basic electrical electronics engineering by ravish r singh](#)

[bengali laxmi puja mantra](#)

[behind the glass howard massey](#)

[basic engineering circuit analysis 9th edition solution manual pdf download](#)

bedside clinics in medicine by arup kumar kundu

becoming a self regulated learner common sense atheism

beating the street

~~belladasemana.com.br amanda sagaz vipergirls~~

best positive thinking books

beowulf practice test answers

basic and bedside electrocardiography

bed and breakfast list

balancing unity and diversity exit and voice in the eu

basic business statistics 12th edition berenson solutions

Cnc Machine Diy Plans And Build Instructions :

the logistics handbook - Oct 22 2023

web te logistics handbook a practical guide for the supply chain management of health commodities offers practical guidance in managing the supply chain with an emphasis on health commodities tis handbook will be particularly useful for program managers who design manage and assess logistics systems for health programs

the handbook of logistics and distribution management - Mar 15 2023

web the handbook of logistics and distribution management alan rushton john oxley phil croucher institute of logistics and transport kogan page publishers 2000 benchmarking 571 pages

the handbook of logistics and distribution management - Jun 18 2023

web the handbook of logistics and distribution management oct 15 2023 designed for students young managers and seasoned practitioners alike this handbook explains the nuts and bolts of the modern logistics and distribution world in plain language

materials handling handbook google books - May 05 2022

web jan 16 1991 sponsored jointly by the american society of mechanical engineers and international material management society this single source reference is designed to meet today s need for updated technical information on planning installing and operating materials handling systems

5896 nist handbook 130 examination procedure for price - Nov 30 2021

web nov 18 2023 iacet ceus offered 0 0 class size max 95 class no 5896 time 11 00 a m to 1 30 p m eastern time registration deadline friday december 8 2023 before you request training you must first establish an account in the owm contacts system the following is a list of helpful instructions

[read free logisticmaterialhandbook](#) - Jan 01 2022

web 1 logisticmaterialhandbook yeah reviewing a book logisticmaterialhandbook could increase your near links listings this is just one of the solutions for you to be successful

logistics and warehousing management - Aug 08 2022

web take insurance on the products being transported logistics comprises material handling warehousing transportation and packaging the goods and controlling the inventory logistics involves dealing with both finished and unfinished products logistics can affect an organisation in more than one way if the logistics of the

logistic material hand book pdf 2023 support ortax - Feb 02 2022

web product reliability maintainability and supportability handbook michael pecht 1995 05 04 this unique publication addresses the role of reliability maintainability and supportability in the life cycle of a product in the context of product effectiveness and worth

the handbook of logistics and distribution management - May 17 2023

web jan 3 2014 bibtex endnote refman the handbook of logistics and distribution management provides an introduction to fundamental elements of modern logistics and distribution it explores all stages of the supply chain from raw materials through to the final distribution of the finished product

[ebook p d f the handbook of logistics and distribution](#) - Jun 06 2022

web nov 11 2021 the handbook of logistics and distribution management is a step by step guide to setting up and managing supply chains to add maximum value to the organizations they serve benefiting from the author team s years of practical experience in some of the most challenging environments across the world from developed economies to third

logisticmaterialhandbook copy jira eng sangoma - Apr 04 2022

web integrated logistics support handbook handbook of materials management handbook of ocean container transport logistics handbook of logistics shipping commercial terminologies the logic of logistics logistics engineering handbook logistics handbook the definitive guide to warehousing materials management

the logistics handbook united states agency for international - Oct 30 2021

web the logistics handbook a practical guide for the supply chain management of health commodities the authors views expressed in this publication do not necessarily reflect the views of the united states agency for international development or the united states government iv vi

logistic material hand book orientation sutd edu - Aug 20 2023

web logistic material hand book orientation sutd edu sg keywords glossary of transportation logistics supply chain and ncoa book 3 flashcards quizlet logistic regression for machine learning www etdpseta org za the goldsheet america s 1 choice best

book summary pdf grit by angela duckworth hollywood reporter

pdf material handling pdf prabir datta academia edu - Nov 11 2022

web this paper outlines the development of the teaching materials for an introductory lecture chapter in a single semester final year materials handling course for undergraduate and postgraduate mechanical engineers

logistics handbook book by james f robeson simon - Feb 14 2023

web logistics handbook by james f robeson the logistics handbook encompasses all of the latest advances in warehousing and distribution it provides invaluable logistics handbook book by james f robeson official publisher page simon schuster

pdf logistic material hand book cyberlab sutd edu sg - Mar 03 2022

web handbook of materials selection aug 05 2023 an innovative resource for materials properties their evaluation and industrial applications the handbook of materials selection provides information and insight that can be employed in any discipline or industry to exploit the full range of materials in use today metals plastics ceramics

pdf logistics distribution management 5th edition logistics - Sep 09 2022

web in this paper we present a procedure for finding and analyzing valuable information related to the specific products and its effect on logistics system decision making filtering is being done by already developed software for neurolinguistics social network analysis

the logistics handbook jsi - Sep 21 2023

web the logistics handbook july 2009 this publication was produced for review by the united states agency for international development it was prepared by the usaid deliver project the logistics handbook a practical guide for supply chain managers in family planning and health programs the

the handbook of logistics distribution management 5th - Jan 13 2023

web download free pdf view pdf 2012 britta gammelgaard oresund ecomobility contributes to knowledge creation for sustainable transport and green logistics city transport and energy systems with a specific focus on the conditions and needs of the oresund region

the handbook of logistics distribution management - Jul 19 2023

web the handbook of logistics distribution management 5th edition alan rushton logistics and supply chain management 28 summary 30 183 material requirements planning mrp 183 the mrp system 184 flexible fulfilment postponement 187 the effects of distribution activities 188 future developments 189 summary 190

the logistics handbook a practical guide for supply pdf - Jul 07 2022

web apr 14 2020 the logistics handbook a practical guide for supply chain managers in family planning and health programs arlington va usaid deliver project originally published in 2004 abstract the logistics handbook includes the major aspects of

logistics management with an emphasis on contraceptive supplies

logistic material hand book pdf pdf support ortax - Oct 10 2022

web introduction logistic material hand book pdf pdf practical handbook of warehousing kenneth b ackerman 2012 12 06 this is a fourth edition of a work first published in 1983

the logistics handbook - Apr 16 2023

web cost logistics plans contracts and much more filled with step by step guidelines and 300 illustrations the updated integrated logistics support handbook explains how to apply mil hdbk 502 acquisition logistics meet the requirements of mil prf 49506 logistics management

handbook of logistics and supply chain management - Dec 12 2022

web handbook of logistics and supply chain management editors ann m brewer kenneth j button david a hensher

[a draw the general diagram of an animal cell and label it b draw](#) - Oct 08 2022

web 2 draw and label virus bacteria plant cell 2023 07 03 and accessible while maintaining the career application focus and scientific rigor inherent in the subject matter

draw and label virus bacteria plant cell pdf 2023 - Mar 01 2022

web jun 19 2023 of mobile friendly interactive animatio in bacteria the cell envelope includes the plasma membrane the central as bioterrorism fears grow the first treatment for

[draw and label virus bacteria plant cell pdf uniport edu](#) - Jul 05 2022

web draw and label virus bacteria plant cell right here we have countless books draw and label virus bacteria plant cell and collections to check out we additionally have

draw and label virus bacteria plant cell rhur impacthub net - Apr 02 2022

web possible synergism and interactions among alfalfa mosaic virus bacteria and phytophthora megasperma causing winter kill in alfalfa the viruses bacteria and

draw and label virus bacteria plant cell cyberlab sutd edu sg - Feb 12 2023

web draw and label virus bacteria plant cell recent advances in plant virology jun 28 2022 viruses that infect plants are responsible for reduction in both yield and quality of

draw and label virus bacteria plant cell niir board - Jun 04 2022

web sep 14 2023 draw and label virus bacteria plant cell keep hope alive home page vitamin d black seed for aids plant cell an how do proteins get from the golgi to

draw and label virus bacteria plant cell flowboxing com - Dec 30 2021

label the bacteria teacher made twinkl - Mar 13 2023

web draw and label virus bacteria plant cell molecular virology of human pathogenic viruses sep 09 2021 molecular virology of human pathogenic viruses presents

draw the labelled diagram of the following bacterial cell animal - Nov 09 2022

web huckleberry fraughan the bilberry plant is a close relative of the blueberry and is amongst the numerous species in the ericaceae family basic structure of a cell biology junction

draw and label virus bacteria plant cell copy store spiralny - Aug 06 2022

web preparation of media for fungal and bacterial growth detection of fungal pathogens in infected plant tissues detection of bacterial pathogens in infected tissues koch s

draw and label virus bacteria plant cell pdf - Oct 20 2023

web draw and label virus bacteria plant cell cell walls and membranes jun 12 2022 cellular microbiology jan 15 2020 cellular microbiology is a new area of microbiology research bridging the gap between the disciplines of microbiology and cell biology it is

draw and label virus bacteria plant cell full pdf store spiralny - Jan 31 2022

web draw and label virus bacteria plant cell follow the dr c cancer diet for healing dr leonard the role of bovine leukemia virus in breast cancer golgi and from golgi

draw and label virus bacteria plant cell rhur impacthub net - Sep 07 2022

web aug 15 2023 account some harmful virus inside their computer draw and label virus bacteria plant cell is user friendly in our digital library an online entrance to it is set as

draw and label virus bacteria plant cell full pdf - Jan 11 2023

web find an answer to your question draw the labelled diagram of the following bacterial cell animal cell plant cell and chloroplasts vikram5 vikram5 01 09 2016

solved biology name 1 draw label and write the chegg - May 15 2023

web cytoplasm a homogeneous generally clear jelly like material that fills the cell chromosome a very long continuous piece of dna which contains genes regulatory

7 8 virus structures biology libretxts - Sep 19 2023

web if you prefer you may draw a diagram of each and label the different parts of each structure this page titled 7 8 virus structures is shared under a ck 12 license and was

prokaryotic cells article khan academy - Jul 17 2023

web cell structure edexcel bacterial cells light and electron microscopes allow us to see inside cells plant animal and

bacterial cells have smaller components each with a

draw and label virus bacteria plant cell - Aug 18 2023

web draw and label virus bacteria plant cell april 29th 2018 terminology concepts in many cases terms such as disease disorder morbidity sickness and illness are used

draw and label virus bacteria plant cell baby professor - May 03 2022

web important roles of soil bacteria in parasitic and symbiotic interactions with viruses plants animals and fungi starting with a general overview of the key levels of communication

i identify the following bacteria based on its shape ii - Dec 10 2022

web a animal cell b plant cell c chloroplasts are found only in plant cells because they contain a green pigment called chlorophyll this green pigment is for photosynthesis in

draw and label virus bacteria plant cell online kptm edu my - Nov 28 2021

bacteria diagram smartdraw - Apr 14 2023

web this activity is great for grade 9 pupils learning about microorganisms and bacteria in biology the cut and stick activity covers all the different structural components of

bacterial cells cell structure edexcel gcse combined bbc - Jun 16 2023

web draw label and write the differences in a virus a bacterium a plant cell and an animal cell 2 match the followings nucleus a no membrane lysosome b single membrane

das lied der sturmvögel von mina baites buch 978 2 - Jun 01 2022

web lisa am 21 03 2022 bewertet buch taschenbuch das lied der sturmvögel von anna levin ist ein ansprechender leichter sommerroman welcher doch auch in die tiefe geht

das lied der sturmvögel roman anna levin google books - Feb 09 2023

web eines tages begegnet sie auf einer ihrer wanderungen einem alten mann der einsam am fuße der berge lebt und malt hermingo ist blind doch dank seines fotografischen

das lied der sturmvögel anna levin 9783442380978 boeken - Oct 05 2022

web das lied der sturmvögel man sieht nur mit dem herzen gut die journalistin lisa freiberg führt in berlin ein aufregendes leben doch als ihre beste

sturmvogel song and lyrics by curd borkmann spotify - Mar 30 2022

web listen to sturmvogel on spotify curd borkmann song 1968 curd borkmann song 1968 listen to sturmvogel on spotify curd borkmann song 1968 català catalan

das lied der sturmvoegel by anna levin acmwap2021 national - Sep 23 2021

web sein lied wenn über dünen der sturmvoegel zieht endlos der strand rein die luft in luv und lee und rot steht das kliff vor der see silbergrau das watt braun die heide grün stehen

rugby world cup 2023 match refresher new zealand v namibia - Nov 25 2021

web this will be new zealand s second game as france defeated them 27 13 in the world cup opener at stade de france namibia opened their rugby world cup account with a 52 8

das lied der sturmvoegel book cyberlab sutd edu sg - Jul 02 2022

web frühen sowjetunion der herausgeber der wichtigsten literaturzeitschrift in den zwanziger jahren und ein unterstützer von trotzki sowie der linken opposition in ihrem kampf

Песня о буревестнике lyrics translate - Mar 10 2023

web kreischend schießt der sturmvoegel dahin einem schwarzen blitze gleich wie ein pfeil durchdringt er die wolken und den wogenschaum streift er mit seinem flügel so

alle songs aus dem netflix film anhören popkultur de - Dec 27 2021

web sep 24 2021 popkultur de kann ggf eine provision erhalten wenn du über links auf unserer seite einkaufst mehr infos hinweis nachfolgend eine komplette playlist aller 12

meister erzählungen projekt gutenber - May 12 2023

web das lied vom sturmvoegel Über grauer meeresfläche zieht der wind schwarze wolken zusammen zwischen wolken und meer schießt der sturmvoegel dahin einem

das lied vom sturmvoegel dramaka - Aug 03 2022

web das lied vom sturmvoegel ob der grauen meereesebne schart der wind gewölk zusammen zwischen wolken und gewässern gleitet stolz der sturmverkünder einem

das lied des stürmischen sturmvoegels the song of the stormy - Oct 25 2021

web das lied vom sturmvoegel russisch Песня о Буревестнике pesnya o burevestnike pesna o burevestnike ist ein kurzes stück revolutionärer literatur des

das lied der sturmvoegel auf entfernten inseln german edition - Sep 04 2022

web sep 1 2020 mit ihm taucht lisa in seine tragische vergangenheit ein und findet dabei den ihr vorbestimmten weg und die liebe neue ausgabe die lieferbare ausgabe von

das lied der sturmvoegel auf entfernten inseln amazon de - Apr 11 2023

web mit ihm taucht lisa in seine tragische vergangenheit ein und findet dabei den ihr vorbestimmten weg und die liebe neue ausgabe die lieferbare ausgabe von das

das lied der sturmvögel by anna levin galileo banyanbotanicals - Nov 06 2022

web sturmvogel der mensch das klingt stolz zum 150 geburtstag des dichters maxim gorki eine spurensuche in vorfeld einer veranstaltungsreihe des russischen kulturzentrums mir am

das lied der sturmvögel auf entfernten inseln kindle ausgabe - Jun 13 2023

web das lied der sturmvögel auf entfernten inseln kindle ausgabe von mina bates autor format kindle ausgabe 4 292
sternebewertungen teil von auf entfernten inseln 3

das lied der sturmvögel lovelybooks - Jul 14 2023

web sep 1 2020 mit ihm taucht lisa in seine tragische vergangenheit ein und findet dabei den ihr vorbestimmten weg und die liebe neue ausgabe die lieferbare ausgabe von

[maxim gorki wikipedia](#) - Feb 26 2022

web auch die 1898 veröffentlichten skizzen und erzählungen wurden ein großer erfolg 1901 verfasste er nach einer studentendemonstration in sankt petersburg die durch das

das lied der sturmvögel by anna levin housing gov - Aug 23 2021

web text von wolfe meffert lyrix at maxim gorki das lied der sturmvögel roman de levin anna bücher letzte instanz sturmvogel
skryabin alexander etude op 8 nr 12 dis moll 1894

[die sturmvögel videos facebook](#) - Jan 28 2022

web die sturmvögel 1 626 likes 3 talking about this die sturmvögel so nennt sich die fanggemeinschaft der folkmetal band harpyie actionen infos und wichtiges über die

das lied der sturmvögel roman roman originalausgabe - Aug 15 2023

web apr 20 2015 das lied der sturmvögel roman roman originalausgabe levin anna isbn 9783442380978 kostenloser versand für alle bücher mit versand und verkauf

das lied der sturmvögel roman lovelybooks - Dec 07 2022

web man sieht nur mit dem herzen gut die journalistin lisa freiberg führt in berlin ein aufregendes leben doch als ihre beste freundin stirbt fällt

[das lied des stürmischen sturmvogels wikibrief](#) - Jan 08 2023

web das lied vom sturmvogel russisch Песня о Буревестнике pesnya o burevestnike pesna o burevestnike ist ein kurzes stück revolutionärer literatur des

literatur das lied vom sturmvogel von maxim gorki - Apr 30 2022

web nov 12 2013 das lied vom sturmvogel von maxim gorki i ob der grauen meereebene schart der wind gewölk zusammen zwischen wolken und gewässern gleitet stolz der

