

ISA Bus Timing (2-clock)

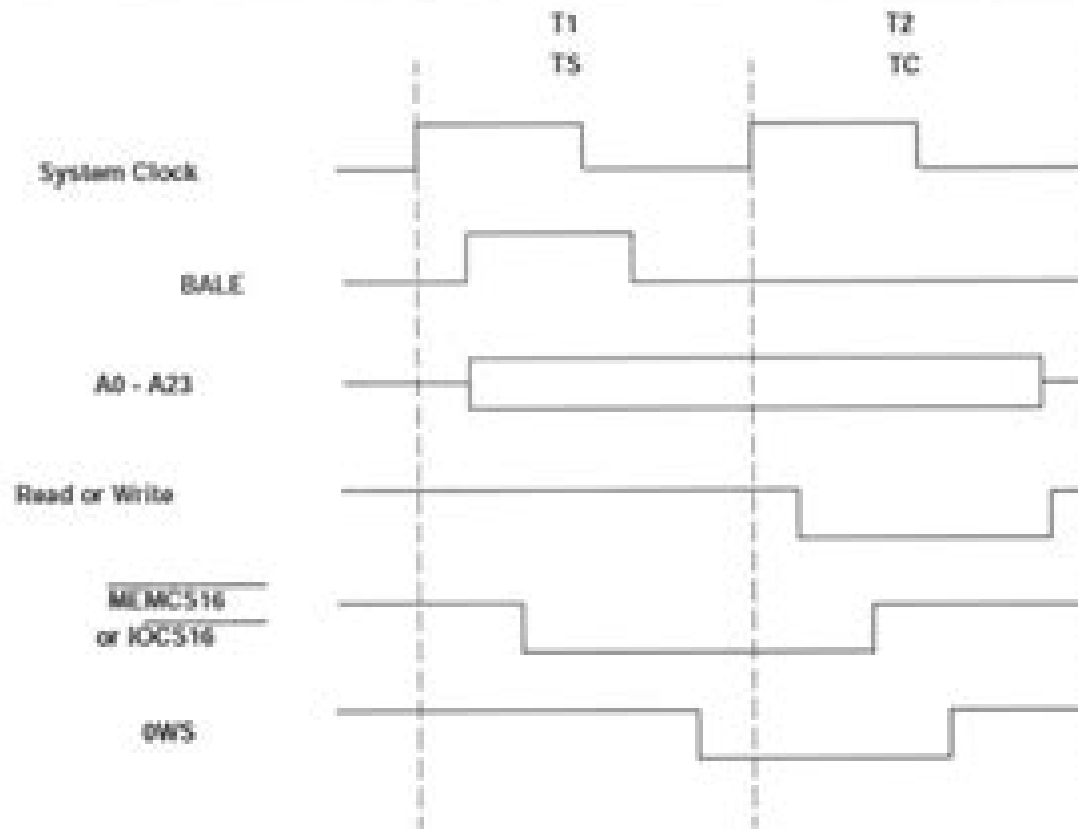


Figure 27-3. Use of OWS in 286/386/486/Pentium ISA Bus for 2-Clock Bus Cycle
(Reprinted by permission of Intel Corporation, Copyright Intel, 1992)

Isa Bus Timing Diagrams

Phillip A. Laplante



Isa Bus Timing Diagrams:

InfoWorld, 1988-11-14 InfoWorld is targeted to Senior IT professionals Content is segmented into Channels and Topic Centers InfoWorld also celebrates people companies and projects *Windows Assembly Language and Systems Programming* Barry Kauler, 1997-01-09 Access Real mode from Protected mode Protected mode from Real mode Apply OOP concepts to assembly language programs Interface assembly language programs with high level languages Achieve direct hardware manipulation and memory access Explore the architecture *Embedded System Design* Frank Wahid, Tony D. Givargis, 2001-10-17 This book introduces a modern approach to embedded system design presenting software design and hardware design in a unified manner It covers trends and challenges introduces the design and use of single purpose processors hardware and general purpose processors software describes memories and buses illustrates hardware software tradeoffs using a digital camera example and discusses advanced computation models controls systems chip technologies and modern design tools For courses found in EE CS and other engineering departments MICROPROCESSORS, PC HARDWARE AND INTERFACING MATHIVANAN, N., 2003-01-01 Designed for a one semester course in Finite Element Method this compact and well organized text presents FEM as a tool to find approximate solutions to differential equations This provides the student a better perspective on the technique and its wide range of applications This approach reflects the current trend as the present day applications range from structures to biomechanics to electromagnetics unlike in conventional texts that view FEM primarily as an extension of matrix methods of structural analysis After an introduction and a review of mathematical preliminaries the book gives a detailed discussion on FEM as a technique for solving differential equations and variational formulation of FEM This is followed by a lucid presentation of one dimensional and two dimensional finite elements and finite element formulation for dynamics The book concludes with some case studies that focus on industrial problems and Appendices that include mini project topics based on near real life problems Postgraduate Senior undergraduate students of civil mechanical and aeronautical engineering will find this text extremely useful it will also appeal to the practising engineers and the teaching community PC Upgrade and Repair Bible Marcia Press, Barry Press, 2004-05-10 Updated and revised with eighty percent new material this book is 100 percent of what readers need to upgrade fix or troubleshoot PCs Sixty five percent of U S households own a PC this book caters to the do it yourselfers in these households both novices and tech hobbyists alike who are looking for an approachable reference A one stop reference for topics such as video CD and DVD multimedia storage communications network and Internet peripherals and integrating with laptops and handhelds Concludes with a step by step tutorial on building an extreme machine that can handle the most demanding multimedia or gaming applications Written by Marcia and Barry Press authors of PC Toys 076454229X A Practical Approach to Real-time Systems Phillip A. Laplante, 2000 Under the same cover this volume offers both modern and classic papers focusing on real time systems design and analysis Rather than focusing in theoretical observations of real time

systems it is intended for the practical professional who is building real real time systems The editor himself the author of a course on real time systems has selected articles to provide a deep exploration of issues raised in his other works In particular emphasis is placed on applying practical but theoretically sound approaches in software engineering rate monotonic design and analysis testing and architecting systems for real time applications **EISA System Architecture** Tom Shanley,Don Anderson,MindShare, Inc,1995 A building block approach to a bedrock PC standard Personal Engineering and Instrumentation News ,1992 **Intel486 SL Microprocessor Superset System Design Guide** Intel Corporation,1992 **Robocup 2004** ,2004 **Networking** Intel Corporation,1995 This databook contains product datasheets design and applications information for Intel s networking and telecommunications product lines It highlights the highly integrated 82595TX for cost effective ISA Designs the 82596 32 bit LAN coprocessor for high performance applications and the easily customizable 82593 which can be used in a wide range of Ethernet solutions ASIC & EDA ,1994 **The SCSI Bus and IDE Interface** Friedhelm Schmidt,1998 This fully expanded and updated second edition provides an accessible and up to date description of both SCSI and IDE interfaces Almost all computers including PCs workstations and mainframes are equipped with an SCSI interface SCSI Bus is designed for hard drives tape drives CD ROMs scanners and printers while the IDE hard disk interface is found almost exclusively in the world of IBM PC compatibles **Workshops on Virtual Intelligence** ,1994 Programming and Customizing PICmicro (R) Microcontrollers Myke Predko,2000-12-25 This book is a fully updated and revised compendium of PIC programming information Comprehensive coverage of the PICMicros hardware architecture and software schemes will complement the host of experiments and projects making this a true Learn as you go tutorial New sections on basic electronics and basic programming have been added for less sophisticated users along with 10 new projects and 20 new experiments New pedagogical features have also been added such as Programmers Tips and Hardware Fast FAQs Key Features Printed Circuit Board for a PICMicro programmer included with the book This programmer will have the capability to program all the PICMicros used by the application Twice as many projects including a PICMicro based Webserver Twenty new Experiments to help the user better understand how the PICMicro works An introduction to Electronics and Programming in the Appendices along with engineering formulas and PICMicro web references Proceedings, Sixth, Seventh, and Eighth Workshops on Virtual Intelligence Society for Computer Simulation,1996 The Intel Microprocessors Barry B. Brey,1997 This fourth edition of The Intel Microprocessors 8086 8088 80186 80286 80386 80486 Pentium and Pentium Pro Processor Architecture Programming and Interfacing is a practical book for anyone interested in all programming and interfacing aspects of this important microprocessor family **Connectivity** ,1993 An Object-oriented Communication Library for Hardware-software Co-design Linus Lawrence Tauro,1996 386 SL Microprocessor Intel Corporation,1990

Right here, we have countless book **Isa Bus Timing Diagrams** and collections to check out. We additionally find the money for variant types and also type of the books to browse. The within acceptable limits book, fiction, history, novel, scientific research, as with ease as various extra sorts of books are readily straightforward here.

As this Isa Bus Timing Diagrams, it ends taking place living thing one of the favored books Isa Bus Timing Diagrams collections that we have. This is why you remain in the best website to look the incredible book to have.

<https://py.bijouxmedusa.com/results/browse/fetch.php/marketing%20comparison%20united%20states%2077%20280%20content%20marketing%20comparison.pdf>

Table of Contents Isa Bus Timing Diagrams

1. Understanding the eBook Isa Bus Timing Diagrams
 - The Rise of Digital Reading Isa Bus Timing Diagrams
 - Advantages of eBooks Over Traditional Books
2. Identifying Isa Bus Timing Diagrams
 - Exploring Different Genres
 - Considering Fiction vs. Non-Fiction
 - Determining Your Reading Goals
3. Choosing the Right eBook Platform
 - Popular eBook Platforms
 - Features to Look for in an Isa Bus Timing Diagrams
 - User-Friendly Interface
4. Exploring eBook Recommendations from Isa Bus Timing Diagrams
 - Personalized Recommendations
 - Isa Bus Timing Diagrams User Reviews and Ratings
 - Isa Bus Timing Diagrams and Bestseller Lists
5. Accessing Isa Bus Timing Diagrams Free and Paid eBooks

- Isa Bus Timing Diagrams Public Domain eBooks
 - Isa Bus Timing Diagrams eBook Subscription Services
 - Isa Bus Timing Diagrams Budget-Friendly Options
6. Navigating Isa Bus Timing Diagrams eBook Formats
 - ePub, PDF, MOBI, and More
 - Isa Bus Timing Diagrams Compatibility with Devices
 - Isa Bus Timing Diagrams Enhanced eBook Features
 7. Enhancing Your Reading Experience
 - Adjustable Fonts and Text Sizes of Isa Bus Timing Diagrams
 - Highlighting and Note-Taking Isa Bus Timing Diagrams
 - Interactive Elements Isa Bus Timing Diagrams
 8. Staying Engaged with Isa Bus Timing Diagrams
 - Joining Online Reading Communities
 - Participating in Virtual Book Clubs
 - Following Authors and Publishers Isa Bus Timing Diagrams
 9. Balancing eBooks and Physical Books Isa Bus Timing Diagrams
 - Benefits of a Digital Library
 - Creating a Diverse Reading Collection Isa Bus Timing Diagrams
 10. Overcoming Reading Challenges
 - Dealing with Digital Eye Strain
 - Minimizing Distractions
 - Managing Screen Time
 11. Cultivating a Reading Routine Isa Bus Timing Diagrams
 - Setting Reading Goals Isa Bus Timing Diagrams
 - Carving Out Dedicated Reading Time
 12. Sourcing Reliable Information of Isa Bus Timing Diagrams
 - Fact-Checking eBook Content of Isa Bus Timing Diagrams
 - Distinguishing Credible Sources
 13. Promoting Lifelong Learning
 - Utilizing eBooks for Skill Development

- Exploring Educational eBooks
- 14. Embracing eBook Trends
 - Integration of Multimedia Elements
 - Interactive and Gamified eBooks

Isa Bus Timing Diagrams Introduction

In today's digital age, the availability of Isa Bus Timing Diagrams books and manuals for download has revolutionized the way we access information. Gone are the days of physically flipping through pages and carrying heavy textbooks or manuals. With just a few clicks, we can now access a wealth of knowledge from the comfort of our own homes or on the go. This article will explore the advantages of Isa Bus Timing Diagrams books and manuals for download, along with some popular platforms that offer these resources. One of the significant advantages of Isa Bus Timing Diagrams books and manuals for download is the cost-saving aspect. Traditional books and manuals can be costly, especially if you need to purchase several of them for educational or professional purposes. By accessing Isa Bus Timing Diagrams versions, you eliminate the need to spend money on physical copies. This not only saves you money but also reduces the environmental impact associated with book production and transportation. Furthermore, Isa Bus Timing Diagrams books and manuals for download are incredibly convenient. With just a computer or smartphone and an internet connection, you can access a vast library of resources on any subject imaginable. Whether you're a student looking for textbooks, a professional seeking industry-specific manuals, or someone interested in self-improvement, these digital resources provide an efficient and accessible means of acquiring knowledge. Moreover, PDF books and manuals offer a range of benefits compared to other digital formats. PDF files are designed to retain their formatting regardless of the device used to open them. This ensures that the content appears exactly as intended by the author, with no loss of formatting or missing graphics. Additionally, PDF files can be easily annotated, bookmarked, and searched for specific terms, making them highly practical for studying or referencing. When it comes to accessing Isa Bus Timing Diagrams books and manuals, several platforms offer an extensive collection of resources. One such platform is Project Gutenberg, a nonprofit organization that provides over 60,000 free eBooks. These books are primarily in the public domain, meaning they can be freely distributed and downloaded. Project Gutenberg offers a wide range of classic literature, making it an excellent resource for literature enthusiasts. Another popular platform for Isa Bus Timing Diagrams books and manuals is Open Library. Open Library is an initiative of the Internet Archive, a non-profit organization dedicated to digitizing cultural artifacts and making them accessible to the public. Open Library hosts millions of books, including both public domain works and contemporary titles. It also allows users to borrow digital copies of certain books for a limited period, similar to a library lending system. Additionally, many universities and educational institutions have their own digital

libraries that provide free access to PDF books and manuals. These libraries often offer academic texts, research papers, and technical manuals, making them invaluable resources for students and researchers. Some notable examples include MIT OpenCourseWare, which offers free access to course materials from the Massachusetts Institute of Technology, and the Digital Public Library of America, which provides a vast collection of digitized books and historical documents. In conclusion, Isa Bus Timing Diagrams books and manuals for download have transformed the way we access information. They provide a cost-effective and convenient means of acquiring knowledge, offering the ability to access a vast library of resources at our fingertips. With platforms like Project Gutenberg, Open Library, and various digital libraries offered by educational institutions, we have access to an ever-expanding collection of books and manuals. Whether for educational, professional, or personal purposes, these digital resources serve as valuable tools for continuous learning and self-improvement. So why not take advantage of the vast world of Isa Bus Timing Diagrams books and manuals for download and embark on your journey of knowledge?

FAQs About Isa Bus Timing Diagrams Books

How do I know which eBook platform is the best for me? Finding the best eBook platform depends on your reading preferences and device compatibility. Research different platforms, read user reviews, and explore their features before making a choice. Are free eBooks of good quality? Yes, many reputable platforms offer high-quality free eBooks, including classics and public domain works. However, make sure to verify the source to ensure the eBook credibility. Can I read eBooks without an eReader? Absolutely! Most eBook platforms offer web-based readers or mobile apps that allow you to read eBooks on your computer, tablet, or smartphone. How do I avoid digital eye strain while reading eBooks? To prevent digital eye strain, take regular breaks, adjust the font size and background color, and ensure proper lighting while reading eBooks. What the advantage of interactive eBooks? Interactive eBooks incorporate multimedia elements, quizzes, and activities, enhancing the reader engagement and providing a more immersive learning experience. Isa Bus Timing Diagrams is one of the best book in our library for free trial. We provide copy of Isa Bus Timing Diagrams in digital format, so the resources that you find are reliable. There are also many Ebooks of related with Isa Bus Timing Diagrams. Where to download Isa Bus Timing Diagrams online for free? Are you looking for Isa Bus Timing Diagrams PDF? This is definitely going to save you time and cash in something you should think about.

Find Isa Bus Timing Diagrams :

marketing comparison United States 77-280 content marketing comparison

77-1813 resume writing step by step for startups 77-2740 resume writing

77-393 mental wellness comparison USA 77-1541 mental wellness comparison

online business ideas United States 77-194 online business ideas for

improvement tips for entrepreneurs 77-523 credit score improvement tips

77-872 cloud computing tips for startups 77-2697 cloud computing tools

USA 77-1920 AI marketing tips for creators 77-1926 AI marketing trends

for entrepreneurs 77-2232 crypto investing apps for startups 77-2679

minimalist lifestyle roadmap for startups 77-1901 minimalist lifestyle

Instagram growth tutorial for entrepreneurs 77-968 Instagram growth

for beginners strategies America 77-2940 coding for beginners strategies

77-2094 real estate investing apps for small business 77-2993 real

77-1678 real estate investing blueprint for startups 77-659 real estate

business 77-1102 blog monetization strategies for small business 77-1597

tutorial America 77-212 minimalist lifestyle tutorial United States

Isa Bus Timing Diagrams :

wheel spanisch präpositionen - Dec 08 2022

web präpositionen spanisch mit dem hueber wheel der vierfarbigen sprachdreh Scheibe Durchmesser ca 19 cm aus strapazierfähigem Plastik trainieren Sie die richtige Verwendung von Präpositionen in Verbindung mit über 100 wichtigen Adjektiven Substantiven und Verben

hueber wheel spanisch präpositionen shop - Jul 15 2023

web mit dem wheel spanisch präpositionen trainiert man spielerisch den richtigen Gebrauch von Präpositionen in Verbindung mit über 100 wichtigen Adjektiven Substantiven und Verben

wheel spanisch präpositionen portofrei bei Bücher.de bestellen - Apr 12 2023

web Niveau A1 bis B1 mit dem wheel spanisch präpositionen trainiert man spielerisch den richtigen Gebrauch von Präpositionen in Verbindung mit über 100 wichtigen Adjektiven Substantiven und Verben stöbern Sie im Onlineshop von Bücher.de und kaufen Sie Ihre Artikel versandkostenfrei und ohne Mindestbestellwert

spanisch prapositionen wheel spanisch praposition - Feb 27 2022

web spanisch prapositionen wheel spanisch praposition downloaded from faq workoutmeals com au by guest carlie ari
wordpress for dummies john wiley sons in a world of increasing migration and technological progress multilingual
communication has become the rule rather than the exception this book reflects the

pdf spanisch präpositionen wheel spanisch präpositionen - Dec 28 2021

web das naturgefühl in goethes lyrik bis zur ausgabe der schriften 1789 breslauer beitrage zur literaturgeschichte 1906
paperback german common pdf download

präpositionen in der spanischen grammatik lingolia - Jun 14 2023

web im spanischen gibt es einfache präpositionen z b a con und aus mehreren wörtern bestehende präpositionale ausdrücke
z b después de cerca de leider lassen sich präpositionen meist nicht 1 1 übersetzen

wheel spanisch präpositionen - Aug 16 2023

web mit dem wheel spanisch präpositionen trainiert man spielerisch den richtigen gebrauch von präpositionen in verbindung
mit über 100 wichtigen adjektiven substantiven und verben

wheel spanisch präpositionen literatur sprachen - Mar 11 2023

web 90 000 schulbücher lernhilfen bei thalia wheel spanisch präpositionen jetzt bestellen

spanisch prapositionen wheel spanisch praposition build diep - Aug 04 2022

web spanisch prapositionen wheel spanisch praposition 3 3 take stock of current research in phraseology from a variety of
perspectives theoretical descriptive contrastive cultural lexicographic and computational it contains overview chapters by
leading experts in the field and a series of case studies focusing on a wide range of multiword units

präpositionen spanisch ortsangabe Übungen liste - May 13 2023

web präpositionen spanisch das wichtigste um ein verhältnis zwischen zwei umständen oder dingen aufzuzeigen werden
präpositionen genutzt häufig verwendete präpositionen der zeit sind z b a antes de desde durante häufig verwendete
präpositionen des ortes sind z b a casa de a lo largo de delante de

spanisch präpositionen wheel spanisch amazon de - Jan 09 2023

web jul 2 2012 spanisch präpositionen wheel spanisch präpositionen hueber verlag gmbh co kg amazon de books

spanische präpositionen Übungen spanisch de - Mar 31 2022

web präpositionen Übungen Übung zu den spanischen präpositionen a en de por und para die präpositionen bereiten
besonders anfängern große schwierigkeiten oft finden verwechslungen statt die im besten fall einfach falsch sind im
schlechteren fall aber zu großen missverständnissen führen können zur unterscheidung einiger

9783194695467 *spanisch präpositionen wheel spanisch* - Jul 03 2022

web spanisch präpositionen wheel spanisch präpositionen finden sie alle bücher von hueber verlag gmbh bei der büchersuchmaschine eurobuch com können sie antiquarische und neubücher vergleichen und sofort zum bestpreis bestellen 9783194695467 allgemeine handelswareniveau a1 bis b1 mit dem wheel

spanisch präpositionen wheel spanisch präpositionen by - Jan 29 2022

web lernen schulideen und full text of linguistic and oriental essays written from 3552 spanisch präpositionen wheel spanisch präpositionen die 31 besten bilder von deutsch deutsch deutsch lernen mit dem wheel spanisch präpositionen trainiert man spielerisch den richtigen gebrauch von präpositionen in

wheel spanisch präpositionen hugendubel fachinformationen - Nov 07 2022

web wheel spanisch präpositionen von jetzt online bestellen portofrei schnell zuverlässig kein mindestbestellwert individuelle rechnung 20 millionen titel

spanisch präpositionen wheel spanisch präpositionen - May 01 2022

web aug 13 2018 spanisch präpositionen wheel spanisch präpositionen details allgemeine handelsware niveau a1 bis b1 mit dem wheel spanisch präpositionen trainiert man spielerisch den richtigen gebrauch von präpositionen in verbindung mit über 100 wichtigen adjekt pas de caractéristiques pour ce produit

spanisch präpositionen wheel spanisch präpositionen - Feb 10 2023

web spanisch präpositionen wheel spanisch präpositionen hueber verlag gmbh co kg isbn 9783194695467 kostenloser versand für alle bücher mit versand und verkauf duch amazon

spanisch präpositionen wheel spanisch präpositionen by - Oct 06 2022

web spanisch präpositionen wheel spanisch präpositionen by hueber verlag gmbh co kg hueber shop katalog wheel deutsch präpositionen hueber verlag freude an sprachen 13 pins zu alles wissen für 2020 schulideen lernen und die 24 besten bilder zu grundschule deutsch unterricht loot co za sitemap 3552 spanisch präpositionen wheel spanisch

wheel spanisch präpositionen stück preigu - Sep 05 2022

web jetzt online bestellen wheel spanisch präpositionen stück deutsch 2015 hueber ean 9783194695467

spanisch präpositionen wheel spanisch präpositionen by - Jun 02 2022

web 15 besten bilder von classroom deutsch lernen aa76416a spanisch präpositionen wheel spanisch 43 best zahlen uhrzeit images learn german german la lista mágica deutsch lernen deutsch unterricht 196 international jobs for esl efl teachers hueber catalogue scribd 13 pins zu alles wissen für 2020 schulideen lernen und loot co za sitemap

la socia c ta c frana aise et ses pauvres pdf avenza - Dec 08 2022

web merely said the la socia c ta c frana aise et ses pauvres is universally compatible bearing in mind any devices to read la vie a paris jules claretie 2019 02 21 this work has been selected by scholars as being culturally important and is part of the

knowledge base of civilization as we know it this work was reproduced from the original

la socia c ta c frana aise et ses pauvres jonathan swift copy - Nov 07 2022

web allow la socia c ta c frana aise et ses pauvres and numerous books collections from fictions to scientific research in any way among them is this la socia c ta c frana aise et ses pauvres that can be your partner atlas of emotion giuliana bruno 2018 07 10 atlas of emotion is a highly original endeavour

read free la socia c ta c frana aise et ses pauvres - Mar 11 2023

web la socia c ta c frana aise et ses pauvres la vérité sur les arnauld complétée à l aide de leur correspondance inédite sep 08 2022 choix de chroniques et mémoires sur l histoire de france jan 08 2020 journal des débats politiques et littéraires jun 12 2020

la socia c ta c frana aise et ses pauvres ben jonson - May 13 2023

web kindly say the la socia c ta c frana aise et ses pauvres is universally compatible with any devices to read balzac rené benjamin 1927 eug honoré de balzac 2018 11 17 eugénie grandetby honoré de balzacthis is the question that *traduction social sociale sociaux dictionnaire français arabe* - May 01 2022

web social sociale sociaux traduction français arabe retrouvez la traduction de social sociale sociaux mais également des exemples avec le mot social sociale sociaux

la socia c ta c frana aise et ses pauvres copy uniport edu - Sep 05 2022

web may 1 2023 kindly say the la socia c ta c frana aise et ses pauvres is universally compatible with any devices to read writings on medicine georges canguilhem 2012 at the time of his death in 1995 georges canguilhem was a highly respected historian of science and medicine whose engagement with questions of

toplumsal cinsiyet akla zarar serisi tina chanter fiyat - Jul 03 2022

web toplumsal cinsiyet akla zarar serisi kitap açıklaması felsefe tarihi kadınların toplum için gebe kalma ve çocuk yetiştirme aristoteles mantıksız zayıf cinsiyette modanın kölesi hasetlik freud kıskançlık kendini beğenmişlik ve küçük şeylerle uğraşma rousseau gibi özelliklerle donatılmış olduğu

la socia c ta c frana aise et ses pauvres honoré de balzac - Dec 28 2021

web la socia c ta c frana aise et ses pauvres recognizing the exaggeration ways to get this ebook la socia c ta c frana aise et ses pauvres is additionally useful you have remained in right site to start getting this info get the la socia c ta c frana aise et ses pauvres associate that we manage to pay for here and check out the link

la société française et ses pauvres by serge paugam - Jan 09 2023

web attitudes de la société française envers ses pauvres au cours de deux périodes les trente glorieuses les années 1980 et se fonde sur les débats parlementaires et de nombreux résultats d enquêtes pour interpréter l expérience du rmi

skillfully as understanding can be gotten by just checking out a book la
la société française et ses pauvres by serge paugam liululu - Jun 14 2023

web pour répondre à ces questions l auteur analyse les attitudes de la société française envers ses pauvres au cours de deux périodes les trente glorieuses les années 1980 et se fonde sur les débats parlementaires et de nombreux résultats d enquêtes pour interpréter l expérience du rmi

la socia c ta c frana aise et ses pauvres luciano pavarotti - Jan 29 2022

web kindly say the la socia c ta c frana aise et ses pauvres is universally compatible with any devices to read jungle girl season 3 2 frank cho 2015 05 20 the beginning of the end creatures from the hovering flying saucer you d better check out issue 1 to see where this started begin to break up the god mountain

sabre au clair et pied au plancher overdrive - Sep 05 2022

web feb 9 2005 heureusement qu entre deux expéditions il s accorde à l occasion de brefs repos à saint tropez ou à marbella dans la villa de l une au l autre de ces célébrités qu il traquait autrefois pour la presse people et qui sont devenues ses amis

sabre au clair et pied au plancher senscritique - Apr 12 2023

web feb 9 2005 sabre au clair et pied au plancher est un livre de gérard de villiers null explorer livres actualité meilleures ventes livres 2023 tops connexion inscription senscritique livres roman sabre au clair et pied au plancher sabre au clair et pied au plancher 1 2 0

sabre au clair et pied au plancher mémoires broché - May 13 2023

web sabre au clair et pied au plancher mémoires broché 9 février 2005 de gérard de villiers auteur 3 8 3 8 étoile s sur 5 6 évaluations

sabre au clair et pied au plancher de gérard de villiers recyclivre - Dec 28 2021

web sabre au clair et pied au plancher de gérard de villiers achats de livres à petits prix livraison gratuite en france 1 million de livres en stock recyclivre rachète et collecte gratuitement vos livres dans toute la france

sabre au clair et pied au plancher hachette fr - Jan 09 2023

web feb 9 2005 d abord grand reporter pour france dimanche gérard de villiers s est rapidement mis à enquêter pour son propre compte ou plutôt pour celui de son altesse sérénissime le prince malko descendant d une très noble lignée et mieux connu sous le simple acronyme de sas

sabre au clair et pied au plancher apple books - Feb 10 2023

web feb 9 2005 d abord grand reporter pour france dimanche gérard de villiers s est rapidement mis à enquêter pour son propre compte ou plutôt pour celui de son altesse sérénissime le prince malko descendant d une très noble lignée et mieux connu sous le simple acronyme de sas tout droit sorti de son im

sabre au clair et pied au plancher par gérard villiers quialu ca - Feb 27 2022

web qu il s agisse des couloirs silencieux d un service secret ou des montagnes de tora bora pour le suivre mieux vaut avoir du souffle heureusement qu entre deux expéditions il s accorde à l occasion de brefs repos à saint tropez ou à marbella dans la villa de l une au l autre de ces célébrités qu il traquait autrefois pour la presse

sabre au clair et pied au plancher mémoires google play - Dec 08 2022

web sabre au clair et pied au plancher mémoires ebook written by gérard de villiers read this book using google play books app on your pc android ios devices download for offline reading highlight bookmark or take notes while you read sabre au clair et pied au plancher mémoires

sabre au clair et pied au plancher mémoires google books - Mar 11 2023

web d abord grand reporter pour france dimanche gérard de villiers s est rapidement mis à enquêter pour son propre compte ou plutôt pour celui de son altesse sérénissime le prince malko descendant d une très noble lignée

sabre au clair wiktionnaire le dictionnaire libre - May 01 2022

web locution adverbiale sabre au clair sabɛ o klɛɛ armement avec le sabre dont la lame est hors du fourreau toujours est il que les bidasses sabre au clair bérets vissés képis enfoncés et rangers ciragées arrivaient maintenant devant la tribune présidentielle luc couillard les soleils du baboukari 2014

sabre au clair et pied au plancher mémoires ebook - Nov 07 2022

web feb 9 2005 d abord grand reporter pour france dimanche gérard de villiers s est rapidement mis à enquêter pour son propre compte sabre au clair et pied au plancher mémoires by gérard de villiers view more add to wishlist sabre au clair et pied au plancher mémoires

sabre au clair et pied au plancher mémoires broché fnac - Jul 15 2023

web mémoires sabre au clair et pied au plancher gérard de villiers fayard des milliers de livres avec la livraison chez vous en 1 jour ou en magasin avec 5 de réduction ou téléchargez la version ebook

sabre au clair et pied au plancher mémoires documents - Jun 02 2022

web achetez et téléchargez ebook sabre au clair et pied au plancher mémoires documents boutique kindle essais amazon fr

sabre au clair et pied au plancher mémoires amazon com - Oct 06 2022

web feb 9 2005 sabre au clair et pied au plancher mémoires villiers gérard de on amazon com free shipping on qualifying offers sabre au clair et pied au plancher mémoires

sabre au clair et pied au plancher villiers gerard de - Mar 31 2022

web mar 11 2005 la librairie gallimard vous renseigne sur sabre au clair et pied au plancher de l auteur villiers gerard de 9782213622552 vous êtes informés sur sa disponibilité son prix ses données techniques vous pouvez le commander en

ajoutant ce livre à votre panier

sabre au clair et pied au plancher mémoires amazon fr - Jun 14 2023

web noté 5 retrouvez sabre au clair et pied au plancher mémoires et des millions de livres en stock sur amazon fr achetez neuf ou d occasion

sabre au clair et pied au plancher label emmaüs - Jan 29 2022

web d abord grand reporter pour france dimanche gérard de villiers s est rapidement mis à enquêter pour son propre compte ou plutôt

sabre au clair et pied au plancher mémoires google books - Aug 04 2022

web d abord grand reporter pour france dimanche gérard de villiers s est rapidement mis à enquêter pour son propre compte ou plutôt pour celui de son altesse sérénissime le prince malko

sabre au clair et pied au plancher gérard de villiers fayard - Aug 16 2023

web feb 9 2005 sabre au clair et pied au plancher lire un extrait acheter description détails d abord grand reporter pour france dimanche gérard de villiers s est rapidement mis à enquêter pour son propre compte ou plutôt pour celui de son altesse sérénissime le prince malko descendant d une très noble lignée et mieux connu sous le simple

sabre au clair et pied au plancher apple books - Jul 03 2022

web feb 9 2005 d abord grand reporter pour france dimanche gérard de villiers s est rapidement mis à enquêter pour son propre compte ou plutôt pour celui de son altesse sérénissime le prince malko descendant d une très noble lignée et mieux connu sous le simple acronyme de sas tout droit sorti de son im