

II. PWM METHODS

A. Sine PWM (1)

➤ Three-phase inverter

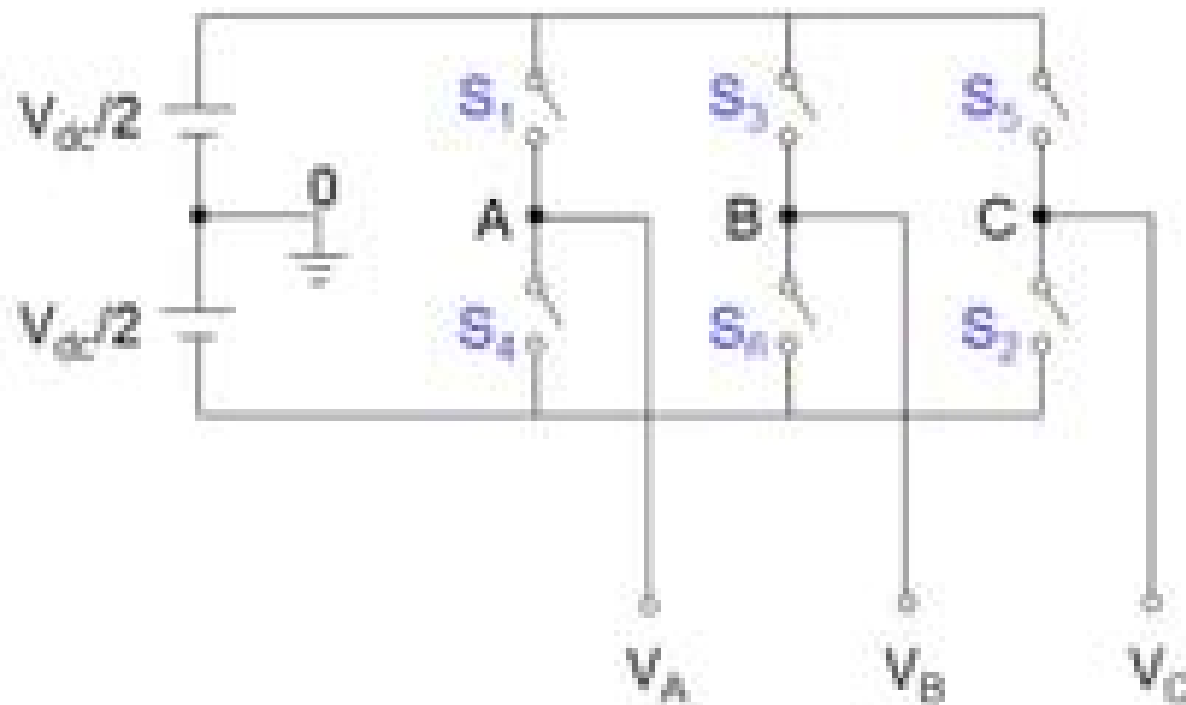


Fig. 6 Three-phase Sine PWM inverter.

Chapter 7 Pwm Techniques

**Kundan Kumar,Ambrish
Devanshu,Subrata
Banerjee,Lairenlakpam
Robindro,Sheldon S. Williamson**

Chapter 7 Pwm Techniques:

m-Mode SVPWM Technique for Power Converters Bo Zhang, Dongyuan Qiu, 2019-01-29 This book presents a novel control method for power converters referred to as m mode control It provides an overview of traditional control methods for inverters e g PWM and SVPWM and the theory of the m mode control method while also discussing and applying m mode control on various types of converters including three phase nine switch five leg and multi level inverters PWM rectifiers and modular multi level converters The book provides readers with sufficient background and understanding to delve deeper into the topic of SVPWM control It is also a valuable guide for engineers and researchers whose work involves power converter control

Advanced Pulse-Width-Modulation: With Freedom to Optimize Power Electronics Converters Dong Jiang, Zewei Shen, Qiao Li, Jianan Chen, Zicheng Liu, 2021-01-20 This book is a technical publication for students scholars and engineers in electrical engineering focusing on the pulse width modulation PWM technologies in power electronics area Based on an introduction of basic PWM principles this book analyzes three major challenges for PWM on system performance power losses voltage current ripple and electromagnetic interference EMI noise and the lack of utilization of control freedoms in conventional PWM technologies Then the model of PWM s impact on system performance is introduced with the current ripple prediction method for voltage source converter as example With the prediction model two major advanced PWM methods are introduced variable switching frequency PWM and phase shift PWM which can reduce the power losses and EMI for the system based on the prediction model Furthermore the advanced PWM can be applied in advanced topologies including multilevel converters and paralleled converters With more control variables in the advanced topologies performance of PWM can be further improved Also for the special problem for common mode noise this book introduces modified PWM method for reduction Especially the paralleled inverters with advanced PWM can achieve good performance for the common mode noise reduction Finally the implementation of PWM technologies in hardware is introduced in the last part

Electric Motor Control Sang-Hoon Kim, 2017-05-09 Electric Motor Control DC AC and BLDC Motors introduces practical drive techniques of electric motors to enable stable and efficient control of many application systems also covering basic principles of high performance motor control techniques driving methods control theories and power converters Electric motor drive systems play a critical role in home appliances motor vehicles robotics aerospace and transportation heating ventilating and cooling equipment s robotics industrial machinery and other commercial applications The book provides engineers with drive techniques that will help them develop motor drive system for their applications Includes practical solutions and control techniques for industrial motor drive applications currently in use Contains MATLAB Simulink simulation files Enables engineers to understand the applications and advantages of electric motor drive systems

Programming the BeagleBone Yogesh Chavan, 2016-01-28 Master BeagleBone programming by doing simple electronics and Internet of Things projects About This Book Quickly develop electronics projects that interact with Internet

applications using JavaScript and Python Learn about electronics components such as sensors and motors and how to communicate with them by writing programs A step by step guide to explore the exciting world of BeagleBone from connecting BeagleBone to doing electronics projects and creating IoT applications Who This Book Is For If you want to learn programming on embedded systems with BeagleBone by doing simple electronics projects this book is for you This book is also helpful to BeagleBone owners who want to quickly implement small scale home automation solutions It is assumed that you have familiarity with C and Python programming Some familiarity with electronics is helpful but not essential What You Will Learn Connect your BeagleBone to a computer in different ways and get the Cloud9 IDE running to quick start programming on the BeagleBone Get to know about BeagleBone extension pins such as GPIO and how to connect various electronics components with BeagleBone Read and write to various electronics components such as LED Push button sensors and motors Grasp in depth theory on Analog PWM and BUS programming and the electronics components used in programs Handle data to and from various BUS supporting modules such as UART I2C and SPI using the Adafruit BBIO Python library Write real life IoT applications in JavaScript and Python such as shooting an e mail on overheat and controlling a servo motor remotely Make use of online free cloud services to store and analyze sensor data collected on the BeagleBone Discover what else can be done using the BeagleBone Get to grips with embedded system BUS communication In Detail The whole world is moving from desktop computers to smartphones and embedded systems We are moving towards utilizing Internet of Things IoT An exponential rise in the demand for embedded systems and programming in the last few years is driving programmers to use embedded development boards such as Beaglebone BeagleBone is an ultra small cost effective computer that comes with a powerful hardware It runs a full fledged Debian Linux OS and provides numerous electronics solutions BeagleBone is open source and comes with an Ethernet port which allows you to deploy IoT projects without any additions to the board It provides plenty of GPIO Analog pins and UART I2C SPI pins which makes it the right choice to perform electronics projects This gives you all the benefits of Linux kernel such as multitasking multiusers and extensive device driver support This allows you to do programming in many languages including high level languages such as JavaScript and Python This book aims to exploit the hardware and software capabilities of BeagleBone to create real life electronics and IoT applications quickly It is divided into two parts The first part covers JavaScript programs The second part provides electronics projects and IoT applications in Python First you will learn to use BeagleBone as tool to write useful applications on embedded systems Starting with the basics needed to set up BeagleBone and the Cloud9 IDE this book covers interfacing with various electronics components via simple programs The electronics theory related to these components is then explained in depth before you use them in a program Finally the book helps you create some real life IoT applications Style and approach An easy to follow guide full of real world electronics programs and quick troubleshooting tips using BeagleBone All the required electronics concepts are explained in detail before using them in a program and all programs are explained in depth Most of

the theory is covered in the first part while the second part gives you some quick programs *Recent Advancements and Emerging Technologies in Multi-level Inverters* Kundan Kumar, Ambrish Devanshu, Subrata Banerjee, Lairenlakpam Robindro, Sheldon S. Williamson, 2025-10-14 Recent Advances and Emerging Technologies in Multi Level Inverters provides a comprehensive exploration of the latest innovations and trends in multi level inverter technology This book delves into cutting edge designs control strategies and applications of multi level inverters in renewable energy systems electric vehicles and industrial automation It combines theoretical foundations with practical insights offering readers a holistic understanding of inverter operation and performance optimization Designed for researchers students and industry professionals the book highlights advancements in power electronics and their role in addressing modern energy challenges With detailed analyses and real world case studies this is an essential resource for anyone interested in the future of energy conversion and sustainable technologies *Pulsewidth Modulated DC-to-DC Power Conversion* Byungcho Choi, 2013-07-30 This is the definitive reference for anyone involved in pulsewidth modulated DC to DC power conversion Pulsewidth Modulated DC to DC Power Conversion Circuits Dynamics and Control Designs provides engineers researchers and students in the power electronics field with comprehensive and complete guidance to understanding pulsewidth modulated PWM DC to DC power converters Presented in three parts the book addresses the circuitry and operation of PWM DC to DC converters and their dynamic characteristics along with in depth discussions of control design of PWM DC to DC converters Topics include Basics of DC to DC power conversion DC to DC converter circuits Dynamic modeling Power stage dynamics Closed loop performance Voltage mode control and feedback design Current mode control and compensation design Sampling effects of current mode control Featuring fully tested problems and simulation examples as well as downloadable lecture slides and ready to run PSpice programs Pulsewidth Modulated DC to DC Power Conversion is an ideal reference book for professional engineers as well as graduate and undergraduate students *Advanced Multilevel Converters and Applications in Grid Integration* Ali Iftekhar Maswood, Hossein Dehghani Tafti, 2018-10-09 A comprehensive survey of advanced multilevel converter design control operation and grid connected applications Advanced Multilevel Converters and Applications in Grid Integration presents a comprehensive review of the core principles of advanced multilevel converters which require fewer components and provide higher power conversion efficiency and output power quality The authors noted experts in the field explain in detail the operation principles and control strategies and present the mathematical expressions and design procedures of their components The text examines the advantages and disadvantages compared to the classical multilevel and two level power converters The authors also include examples of the industrial applications of the advanced multilevel converters and offer thoughtful explanations on their control strategies Advanced Multilevel Converters and Applications in Grid Integration provides a clear understanding of the gap difference between research conducted and the current industrial needs This important guide Puts the focus on the new challenges and topics in related areas such as modulation methods

harmonic analysis voltage balancing and balanced current injection Makes a strong link between the fundamental concepts of power converters and advances multilevel converter topologies and examines their control strategies together with practical engineering considerations Provides a valid reference for further developments in the multilevel converters design issue Contains simulation files for further study Written for university students in electrical engineering researchers in areas of multilevel converters high power converters and engineers and operators in power industry Advanced Multilevel Converters and Applications in Grid Integration offers a comprehensive review of the core principles of advanced multilevel converters with contributions from noted experts in the field *Inverters and AC Drives* Narayanaswamy P.R.

Iyer,2024-12-26 Successful development of power electronic converters and converter fed electric drives involves system modeling analyzing the output voltage current electromagnetic torque and machine speed and making necessary design changes before hardware implementation *Inverters and AC Drives Control Modeling and Simulation Using Simulink* offers readers Simulink models for single multi triangle carrier selective harmonic elimination and space vector PWM techniques for three phase two level multi level including modular multi level Z source Quasi Z source switched inductor switched capacitor and diode assisted extended boost inverters six step inverter fed permanent magnet synchronous motor PMSM brushless DC motor BLDCM and induction motor IM drives vector controlled PMSM IM drives direct torque controlled inverter fed IM drives and fuzzy logic controlled converter fed AC drives with several examples and case studies Appendices in the book include source codes for all relevant models model projects and answers to selected model projects from all chapters This textbook will be a valuable resource for upper level undergraduate and graduate students in electrical and electronics engineering power electronics and AC drives It is also a hands on reference for practicing engineers and researchers in these areas *High Performance Control of AC Drives with Matlab / Simulink Models* Haitham Abu-Rub,Atif Iqbal,Jaroslav Guzinski,2012-04-13 A comprehensive guide to understanding AC machines with exhaustive simulation models to practice design and control Nearly seventy percent of the electricity generated worldwide is used by electrical motors Worldwide huge research efforts are being made to develop commercially viable three and multi phase motor drive systems that are economically and technically feasible Focusing on the most popular AC machines used in industry induction machine and permanent magnet synchronous machine this book illustrates advanced control techniques and topologies in practice and recently deployed Examples are drawn from important techniques including Vector Control Direct Torque Control Nonlinear Control Predictive Control multi phase drives and multilevel inverters Key features include systematic coverage of the advanced concepts of AC motor drives with and without output filter discussion on the modelling analysis and control of three and multi phase AC machine drives including the recently developed multi phase phase drive system and double fed induction machine description of model predictive control applied to power converters and AC drives illustrated together with their simulation models end of chapter questions with answers and PowerPoint slides available on the companion

website www.wiley.com/go/aburub_control This book integrates a diverse range of topics into one useful volume including most the latest developments It provides an effective guideline for students and professionals on many vital electric drives aspects It is an advanced textbook for final year undergraduate and graduate students and researchers in power electronics electric drives and motor control It is also a handy tool for specialists and practicing engineers wanting to develop and verify their own algorithms and techniques

Field-oriented Control for Induction Motor Drives Zaher Daboussi,1990

Power Electronics in Energy Conversion Systems Behrooz Mirafzal,2021-10-01 Learn fundamental concepts of power electronics for conventional and modern energy conversion systems This textbook offers comprehensive coverage of power electronics for the dynamic and steady state analysis of conventional and modern energy conversion systems The book includes detailed discussions of power converters for energy conversion techniques in renewable energy systems grid interactive inverters and motor drives Written by a seasoned educator *Power Electronics in Energy Conversion Systems* contains exclusive topics and features hundreds of helpful illustrations Readers will gain clear understandings of the concepts through many examples and simulations Coverage includes An introduction to power electronics and energy conversion Fundamental concepts in electric and magnetic circuits Principles of electromechanical systems Steady state analysis of DC DC converters Dynamics of DC DC converters Steady state analysis of inverters Steady state analysis and control of rectifiers Control and dynamics of grid interactive inverters Dynamic models of AC machines Control of inverters in motor drive systems Inverters and high frequency transients

Microcontroller Theory and Applications Daniel J. Pack,Steven Frank Barrett,2008 For undergraduate students taking a Microcontroller or Microprocessor course frequently found in electrical engineering and computer engineering curricula This text provides the reader with fundamental assembly language programming skills an understanding of the functional hardware components of a microcontroller and skills to interface a variety of external devices with microcontrollers

Power Electronics and Variable Frequency Drives Bimal K. Bose,1997 This original contributed volume combines the individual expertise of eleven world renowned professionals to provide comprehensive authoritative coverage of state of the art power electronics and AC drive technology Featuring an extensive introductory chapter by power electronics expert Bimal K Bose and more than 400 figures **POWER ELECTRONICS AND VARIABLE FREQUENCY DRIVES** covers each of the field s component disciplines and drives all in one complete resource Broad in scope and unique in its presentation this volume belongs on the bookshelf of every industry engineer professor graduate student and researcher involved in this fast growing multidisciplinary field It is an essential for teaching research development and design

Multilevel Inverters and Their Applications in Power System Jin Wang,2005

[Nonlinear Phenomena in Power Electronics](#) Soumitro Banerjee,George C. Verghese,2001-07-16 Brings the knowledge of 24 experts in this maturing field out from the narrow confines of academic circles and makes it accessible to graduate students and power electronics professionals alike Provides practicing engineers with the knowledge to predict power requirement behavior The insights

gained from this all inclusive compilation will ultimately lead to better design methodologies

An All-active Hybrid Switching Converter for Power Electronic Utility Applications Girish Radhakrishna Kamath,1998

Intelligent Control Yasuhiko Dote,Richard Gibson Hoft,1998 This book describes intelligent control and its use in power electronic systems specifically AC motor drives and uninterruptable power supply UPS systems The book covers both the fundamentals of the subject and its practical applications From the Foreword by Lofti A Zadeh Director of Berkeley Soft Computing Center California What is unusual about this book is that it starts with a description of more or less classical control techniques moves on to modern control and state space techniques addresses in detail the complex issues arising in the analysis and design of robust control takes up digital signal processing controllers and finally presents a very insightful exposition of soft computing techniques and their application to advanced control of AC drives and UPS systems

The Impact of Measurement Error on the At-site Flood Frequency Estimation Problem John F. Walker,1985

Modern Control Technology Christopher T. Kilian,2001 Thoroughly updated this edition features new material on decibels levers friction clutches and brakes tooth rotor tachometers vision sensors dynamic braking of DC motors linear motors and flux vector AC drives Also included is new information on popular PIC and BASIC Stamp microcontrollers plus expanded coverage of brushless DC motors and networking used in control systems

BOOK JACKET *Revue Roumaine de Physique* ,1984

Immerse yourself in the artistry of words with Experience Art with its expressive creation, Immerse Yourself in **Chapter 7 Pwm Techniques** . This ebook, presented in a PDF format (Download in PDF: *), is a masterpiece that goes beyond conventional storytelling. Indulge your senses in prose, poetry, and knowledge. Download now to let the beauty of literature and artistry envelop your mind in a unique and expressive way.

<https://py.bijouxmedusa.com/results/publication/default.aspx/the%20oxford%20handbook%20of%20african%20american%20theology.pdf>

Table of Contents Chapter 7 Pwm Techniques

1. Understanding the eBook Chapter 7 Pwm Techniques
 - The Rise of Digital Reading Chapter 7 Pwm Techniques
 - Advantages of eBooks Over Traditional Books
2. Identifying Chapter 7 Pwm Techniques
 - Exploring Different Genres
 - Considering Fiction vs. Non-Fiction
 - Determining Your Reading Goals
3. Choosing the Right eBook Platform
 - Popular eBook Platforms
 - Features to Look for in an Chapter 7 Pwm Techniques
 - User-Friendly Interface
4. Exploring eBook Recommendations from Chapter 7 Pwm Techniques
 - Personalized Recommendations
 - Chapter 7 Pwm Techniques User Reviews and Ratings
 - Chapter 7 Pwm Techniques and Bestseller Lists
5. Accessing Chapter 7 Pwm Techniques Free and Paid eBooks
 - Chapter 7 Pwm Techniques Public Domain eBooks
 - Chapter 7 Pwm Techniques eBook Subscription Services

- Chapter 7 Pwm Techniques Budget-Friendly Options
- 6. Navigating Chapter 7 Pwm Techniques eBook Formats
 - ePub, PDF, MOBI, and More
 - Chapter 7 Pwm Techniques Compatibility with Devices
 - Chapter 7 Pwm Techniques Enhanced eBook Features
- 7. Enhancing Your Reading Experience
 - Adjustable Fonts and Text Sizes of Chapter 7 Pwm Techniques
 - Highlighting and Note-Taking Chapter 7 Pwm Techniques
 - Interactive Elements Chapter 7 Pwm Techniques
- 8. Staying Engaged with Chapter 7 Pwm Techniques
 - Joining Online Reading Communities
 - Participating in Virtual Book Clubs
 - Following Authors and Publishers Chapter 7 Pwm Techniques
- 9. Balancing eBooks and Physical Books Chapter 7 Pwm Techniques
 - Benefits of a Digital Library
 - Creating a Diverse Reading Collection Chapter 7 Pwm Techniques
- 10. Overcoming Reading Challenges
 - Dealing with Digital Eye Strain
 - Minimizing Distractions
 - Managing Screen Time
- 11. Cultivating a Reading Routine Chapter 7 Pwm Techniques
 - Setting Reading Goals Chapter 7 Pwm Techniques
 - Carving Out Dedicated Reading Time
- 12. Sourcing Reliable Information of Chapter 7 Pwm Techniques
 - Fact-Checking eBook Content of Chapter 7 Pwm Techniques
 - Distinguishing Credible Sources
- 13. Promoting Lifelong Learning
 - Utilizing eBooks for Skill Development
 - Exploring Educational eBooks
- 14. Embracing eBook Trends

- Integration of Multimedia Elements
- Interactive and Gamified eBooks

Chapter 7 Pwm Techniques Introduction

Free PDF Books and Manuals for Download: Unlocking Knowledge at Your Fingertips In today's fast-paced digital age, obtaining valuable knowledge has become easier than ever. Thanks to the internet, a vast array of books and manuals are now available for free download in PDF format. Whether you are a student, professional, or simply an avid reader, this treasure trove of downloadable resources offers a wealth of information, conveniently accessible anytime, anywhere. The advent of online libraries and platforms dedicated to sharing knowledge has revolutionized the way we consume information. No longer confined to physical libraries or bookstores, readers can now access an extensive collection of digital books and manuals with just a few clicks. These resources, available in PDF, Microsoft Word, and PowerPoint formats, cater to a wide range of interests, including literature, technology, science, history, and much more. One notable platform where you can explore and download free Chapter 7 Pwm Techniques PDF books and manuals is the internet's largest free library. Hosted online, this catalog compiles a vast assortment of documents, making it a veritable goldmine of knowledge. With its easy-to-use website interface and customizable PDF generator, this platform offers a user-friendly experience, allowing individuals to effortlessly navigate and access the information they seek. The availability of free PDF books and manuals on this platform demonstrates its commitment to democratizing education and empowering individuals with the tools needed to succeed in their chosen fields. It allows anyone, regardless of their background or financial limitations, to expand their horizons and gain insights from experts in various disciplines. One of the most significant advantages of downloading PDF books and manuals lies in their portability. Unlike physical copies, digital books can be stored and carried on a single device, such as a tablet or smartphone, saving valuable space and weight. This convenience makes it possible for readers to have their entire library at their fingertips, whether they are commuting, traveling, or simply enjoying a lazy afternoon at home. Additionally, digital files are easily searchable, enabling readers to locate specific information within seconds. With a few keystrokes, users can search for keywords, topics, or phrases, making research and finding relevant information a breeze. This efficiency saves time and effort, streamlining the learning process and allowing individuals to focus on extracting the information they need. Furthermore, the availability of free PDF books and manuals fosters a culture of continuous learning. By removing financial barriers, more people can access educational resources and pursue lifelong learning, contributing to personal growth and professional development. This democratization of knowledge promotes intellectual curiosity and empowers individuals to become lifelong learners, promoting progress and innovation in various fields. It is worth noting that while accessing free Chapter 7 Pwm Techniques PDF books and manuals is convenient and cost-effective, it is vital to respect

copyright laws and intellectual property rights. Platforms offering free downloads often operate within legal boundaries, ensuring that the materials they provide are either in the public domain or authorized for distribution. By adhering to copyright laws, users can enjoy the benefits of free access to knowledge while supporting the authors and publishers who make these resources available. In conclusion, the availability of Chapter 7 Pwm Techniques free PDF books and manuals for download has revolutionized the way we access and consume knowledge. With just a few clicks, individuals can explore a vast collection of resources across different disciplines, all free of charge. This accessibility empowers individuals to become lifelong learners, contributing to personal growth, professional development, and the advancement of society as a whole. So why not unlock a world of knowledge today? Start exploring the vast sea of free PDF books and manuals waiting to be discovered right at your fingertips.

FAQs About Chapter 7 Pwm Techniques Books

How do I know which eBook platform is the best for me? Finding the best eBook platform depends on your reading preferences and device compatibility. Research different platforms, read user reviews, and explore their features before making a choice. Are free eBooks of good quality? Yes, many reputable platforms offer high-quality free eBooks, including classics and public domain works. However, make sure to verify the source to ensure the eBook credibility. Can I read eBooks without an eReader? Absolutely! Most eBook platforms offer web-based readers or mobile apps that allow you to read eBooks on your computer, tablet, or smartphone. How do I avoid digital eye strain while reading eBooks? To prevent digital eye strain, take regular breaks, adjust the font size and background color, and ensure proper lighting while reading eBooks. What the advantage of interactive eBooks? Interactive eBooks incorporate multimedia elements, quizzes, and activities, enhancing the reader engagement and providing a more immersive learning experience. Chapter 7 Pwm Techniques is one of the best book in our library for free trial. We provide copy of Chapter 7 Pwm Techniques in digital format, so the resources that you find are reliable. There are also many Ebooks of related with Chapter 7 Pwm Techniques. Where to download Chapter 7 Pwm Techniques online for free? Are you looking for Chapter 7 Pwm Techniques PDF? This is definitely going to save you time and cash in something you should think about.

Find Chapter 7 Pwm Techniques :

the oxford handbook of african american theology
the seven levels of intimacy matthew kelly 2pg summary

the science of breaking out of your comfort zone and why

the secret science by john baines

the psychology of learning e 113 nams

the st martins guide to writing 11th edition pdf download

the old willis place mary downing hahn

the world of late antiquity 150 750 library civilization peter rl brown

the supernatural enhancements edgar cantero

the pirates prize english edition

things fall apart chinua achebe pdf download

the rhythmic structure of music

~~the race of my life an autobiography weinanore~~

~~the unofficial guide to paediatrics core paediatric~~

the tin ticket heroic journey of australia's convict women deborah j swiss

Chapter 7 Pwm Techniques :

economics grade 11 sba caps 2014 answers pdf copy - Apr 07 2023

web sba caps 2014 answers pdf unlocking the spellbinding force of linguistics in a fast paced world fueled by information and interconnectivity the spellbinding force of linguistics has acquired newfound prominence

download economics grade 11 sba caps 2014 answers - Oct 01 2022

web caps 2014 answers partner that we offer here and check out the link you could purchase lead download economics grade 11 sba caps 2014 answers or acquire it as soon as feasible

economics grade 11 sba caps 2014 memorandums - Jul 10 2023

web each account is self contained and offers a economics grade 11 sba caps 2014 memorandums 3 scholarly and research informed introduction to a particular topic theme or perspective with both citations to key literature and

economics grade 11 sba caps 2014 pdf pdf signups myamcat - Jul 30 2022

web gonasagaren s pillay 2014 08 21 economic and management sciences grade 8 marietjie barnard 2013 07 11 study master economic and management sciences grade 8 has been especially developed by an experienced author team for the curriculum and assessment policy statement caps this new and easy to use course helps learners

economics grade 11 sba caps 2014 answers - Nov 02 2022

web sep 5 2023 economics grade 11 sba caps 2014 answers sbf glossary i plexoft com google system for award

management sam dictionary com s list of every word of the year bank news security bank april 29th 2018 business economics grade 12 exam papers 2010 pdf download national senior certificate grade 12 senior certificate

[read free economics grade 11 sba caps 2014 answers pdf](#) - Mar 06 2023

web the economics grade 11 sba caps 2014 answers pdf it is unquestionably simple then before currently we extend the partner to purchase and make bargains to download and install economics grade 11 sba caps 2014 answers pdf suitably simple economics of the 1 john weeks 2014 01 20 how much do economists really know

economics grade 11 sba caps 2014 answers mpp2012 ime uerj - Apr 26 2022

web this economics grade 11 sba caps 2014 answers as one of the most operating sellers here will entirely be accompanied by the best possibilities to review download the economics

sba exemplar booklets national department of basic education - Aug 31 2022

web the primary purpose of these sba exemplar booklets is to improve the quality of teaching and assessment both formal and informal as well as the learner s process of learning and understanding of the subject content assessment of and for learning is an ongoing process that develops from the interaction of teaching learning and assessment

download download economics grade 11 sba caps 2014 answers - Jun 09 2023

web nov 30 2020 download economics grade 11 sba caps 2014 answers economics grades caps 3 section 1 introduction to the curriassessment policulum and cy statements for economics grades background the national curriculum statement grades r ncs stipulates policy on curriculum and assessment in the schooling sector

economics grade 11 sba caps 2014 answers copy - Dec 03 2022

web economics grade 11 sba caps 2014 answers 1 economics grade 11 sba caps 2014 answers recognizing the quirk ways to get this book economics grade 11 sba caps 2014 answers is additionally useful you have remained in right site to start getting this info get the economics grade 11 sba caps 2014 answers connect that we come up with the

economics 114 stellenbosch university - Jun 28 2022

web economics 114 the following five broad themes are studied problems economists address inequality poverty economic growth sustainability scarcity choice

economics grade 11 sba caps 2014 memorandum wiki lwn - Jan 24 2022

web economics grade 11 sba caps 2014 memorandum reviewing economics grade 11 sba caps 2014 memorandum unlocking the spellbinding force of linguistics in a fast paced world fueled by information and interconnectivity the spellbinding force of linguistics has acquired newfound prominence

[economics grade 11 sba caps 2014 answers pdf copy](#) - Aug 11 2023

web economics grade 11 sba caps 2014 answers pdf introduction economics grade 11 sba caps 2014 answers pdf copy

subsidy reform in the middle east and north africa mr carlo a sdraleovich 2014 07 09 in the middle east and north africa mena countries price subsidies are common especially on food and fuels

economics grade 11 sba caps 2014 answers pdf pdf - Sep 12 2023

web economics grade 11 sba caps 2014 answers pdf pages 2 8 economics grade 11 sba caps 2014 answers pdf upload dona d boyle 2 8 downloaded from support ortax org on september 21 2023 by dona d boyle webjun 28 2023 subsequently some harmful virus inside their computer economics grade 11 sba caps 2014 answers pdf is easy to

economics sba caps 2014 grade 11 2023 demo2 41nbc - May 28 2022

web economics sba caps 2014 grade 11 decoding economics sba caps 2014 grade 11 revealing the captivating potential of verbal expression in an era characterized by interconnectedness and an insatiable thirst for knowledge the captivating potential of verbal expression has emerged as a formidable force its capability to evoke

economics grade 11 sba caps 2014 pdf demo2 41nbc - Mar 26 2022

web economics grade 11 sba caps 2014 economics grade 11 sba caps 2014 book review unveiling the magic of language in a digital era where connections and knowledge reign supreme the enchanting power of language has are more apparent than ever its ability to stir emotions provoke thought and instigate transformation is truly remarkable

grade 11 november 2014 economics p2 best education - May 08 2023

web grade 11 november 2014 economics p2 marks 150 time 1½ hours this question paper consists of 12 pages iecone2 2 economics p2 november 2014 answer any one of the two questions from this section in the answer book your answer will be assessed as follows

economics grade 11 sba caps 2014 answers wrbb neu - Feb 05 2023

web economics grade 11 sba caps 2014 answers 1 economics grade 11 sba caps 2014 answers this is likewise one of the factors by obtaining the soft documents of this economics grade 11 sba caps 2014 answers by online

economics grade 11 sba caps 2014 pdf demo 41nbc - Feb 22 2022

web economics grade 11 sba caps 2014 economics grade 11 sba caps 2014 book review unveiling the magic of language in a digital era where connections and knowledge reign

economics grade 11 sba caps 2014 answers mpp2012 ime uerj - Jan 04 2023

web this economics grade 11 sba caps 2014 answers as one of the majority operating sellers here will entirely be accompanied by by the best selections to review thats something that will

heriot watt university reservoir simulation 1library - Oct 27 2022

web 1 show more page download now 518 page full text 1 contents 1 what is a simulation model 1 1 a simple example of a simulation model 1 2 a note on units 2 what is a reservoir simulation model 2 1 the task of reservoir simulation 2 2 what are

we trying to do and how complex must our model be 3 field

heriot watt university reservoir simulation part1 pdf - Nov 27 2022

web contents 1 what is a simulation model 1 1 a simple example of a simulation model 1 2 a note on units 2 what is a reservoir simulation model 2 1 the task of reservoir simulation

reservoir simulation heriot watt manual 2005 supplementary - Dec 29 2022

web computational skills regarding reservoir simulation and build own reservoir simulator implementation includes analysis of advanced reservoir engineering concepts investigation of odes and pdes used in reservoir simulation linear algebra

numerical solution techniques the key objective is understanding of commercial

reservoir geophysics edinburgh heriot watt university - Aug 05 2023

web our particular focus is monitoring of producing hydrocarbon reservoirs undergoing primary secondary and tertiary recovery this involves quantitative 4d seismic interpretation together with reservoir simulation and model update

[institute of petroleum engineering production technology sciarium](#) - Aug 25 2022

web nov 7 2013 heriot watt institute of petroleum engineering edinburgh 2010 675 p introduction and case studies basic concepts in reservoir engineering reservoir simulation model set up gridding and well modeling the flow equations numerical methods in reservoir simulation permeability upscaling petrophysical input examination and

reservoir simulation heriot watt university course - Jun 03 2023

web know all the types of reservoir simulation models and what type of problem or reservoir process each is used to model know or be able to work out the equations for the mass of a phase or component in a grid block for a black oil or compositional model basic concepts in reservoir engineering

introduction to geological uncertainty management in reservoir - Feb 28 2023

web this book explores methods for managing uncertainty in reservoir characterization and optimization it covers the fundamentals challenges and solutions to tackle the challenges made by geological uncertainty the first chapter discusses types and sources of uncertainty and the challenges in different phases of reservoir management along with

heriot watt reservoir engineering - Sep 25 2022

web msc petroleum engineering heriot watt university dubai heriot watt reservoir engineering downloaded from ams istanbul.edu.tr by guest adrienne yaretzi international centre for carbonate reservoirs carbonate professor mark bentley heriot watt university reservoir model design professor knut andreas lie sintef

[professor ken sorbie cv heriot watt university](#) - Apr 01 2023

web reservoir simulation i have taught this 10 day course on reservoir simulation since 1988 i wrote the original notes and i have presented the course with colleagues at institute of petroleum engineering heriot watt u in edinburgh it has also been

presented at many of the approved learning units alus around the worls e g in tomsk

pdf heriot watt university reservoir simulation free - Apr 20 2022

web download heriot watt university reservoir simulation free in pdf format account 157 55 39 51 login register search search partner sites youtube to mp3 converter about us this project started as a student project in 2014 and was presented in 2017 every aspect of the internet we believe ought to be free as a consequence this utility

short courses petroleum learning centre - Jan 30 2023

web applied reservoir simulation basic pvt simulation field development and fluid flow mechanics gas wells horizontal wells htr reserves development logging during well interventions mature field development quick look log analysis reserves estimation reservoir physics waterflooding management well logging and interpretation well

reservoir simulation 1997 reservoir simulation exam 1997 q - May 22 2022

web 1997 exam with possible solutions reservoir simulation exam 1997 q1 give one use of reservoir simulation calculation and one use of material balance calculation skip to document ask an expert university heriot watt university course petroleum engineering 001 13 documents info more info download save r eserv oir

74468323 heriot watt university reservoir simulation - Mar 20 2022

web after briefly discussing the issue of uncertainty in reservoir management some calculated examples are given finally the various types of reservoir simulation model which are available for calculating different types of reservoir development process are presented black oil model compositional model etc

technology focus reservoir simulation heriot watt university - Sep 06 2023

web jul 27 2015 the journal of petroleum technology jpt july 2015 issue includes a technology focus feature on reservoir simulation which discusses four recent papers published by the society of petroleum engineers spe two of the four articles are based on recent research output from heriot watt s institute of petroleum engineering ipe

[msc reservoir evaluation and management heriot watt university](#) - Oct 07 2023

web either in industry or within heriot watt students have the opportunity to undertake an examined research project within the area of reservoir geoscience and engineering the projects are supervised by members of staff in ipe and can contain any combination of the subjects studied during the taught course or in the team project

[introduction to reservoir simulation spe aberdeen](#) - May 02 2023

web reservoir simulation reservoir simulation background model purposes model contents vs complexity reservoir model elements outline probability and determinism reservoir model components static model grid rock property modelling dynamic model major laws used in reservoir simulation numerical techniques in reservoir simulation scale upscale

download well test analysis pdf sciarium - Feb 16 2022

web may 31 2015 heriot watt institute of petroleum engineering edinburgh 2013 668 p reservoir simulation is an area of reservoir engineering in which computer models are used to predict the flow of fluids typically oil water and gas through porous media

5 types of reservoir simulation model heriot watt - Jul 24 2022

web 5 types of reservoir simulation model in document heriot watt university reservoir simulation page 47 52 until now we have confined our discussion to relative simple reservoir recovery processes such as natural depletion blowdown and waterflooding however there are many more complex reservoir recovery processes

heriot watt university reservoir simulation pdf scribd - Jul 04 2023

web reservoir simulations can do at the appraisal and in the mature stages of reservoir have an elementary knowledge of how uncertainty is handled in reservoir know all the types of reservoir simulation models and what type of problem

download reservoir engineering pdf sciarium - Jun 22 2022

web may 30 2015 manual heriot watt institute of petroleum engineering edinburgh 2013 668 p reservoir simulation is an area of reservoir engineering in which computer models are used to predict the flow of fluids typically oil

marriage built to last dvd pdf wp publish - Sep 20 2022

web jun 21 2023 a marriage built to last 12 studies on 6 dvd s many marriages today are under severe strain and if we honest with ourselves most of us can easily identify with

get a life media ministries watch video - Apr 27 2023

web find helpful customer reviews and review ratings for marriage built to last kit at amazon com read honest and unbiased product reviews from our users

a marriage built to last vol 1 trailer youtube - Mar 27 2023

web built to last the courtship that leads to a lasting marriage by aggrey solomon derek aggrey solomon selgelia and a great selection of related books marriage built to

amazon com customer reviews marriage built to last kit - Feb 23 2023

web marriage built to last dvd 1 10 downloaded from staging friends library org on december 2 2022 by guest marriage built to last dvd eventually you will unquestionably

amazon com a marriage built to last volume 2 save your - Jan 13 2022

[marriage built to last dvd help environment harvard edu](#) - Mar 15 2022

web marriage built to last workbook unknown binding 5 0 3 ratings ships directly from amazon publisher bluefish tv isbn 10 1572752084 isbn 13 978 1572752085 see

marriage built to last dvd chip ingram secure4 khronos - May 17 2022

web god never said that it would be easy he just said it s going to take some time and lots of work and if we ll just get back to god s plan for marriage then we re well on our way to

marriage built to last dvd 2023 cyberlab sutd edu sg - Apr 15 2022

web find a marriage built to last volume 2 save your marriage 6 dvd s at amazon com movies tv home of thousands of titles on dvd and blu ray

marriage built to last workbook amazon com - Dec 12 2021

a marriage built to last get a life ministries inc - Feb 11 2022

marriage built to last abebooks - Dec 24 2022

web enter the realm of marriage built to last dvd a mesmerizing literary masterpiece penned by way of a distinguished author guiding readers on a profound journey to

a marriage built to last book dvd combo get a - Sep 01 2023

web because contrary to popular belief marriages aren t made in heaven they re made right here on earth in the light of this truth a marriage built to last is a book that looks at

a marriage built to last the prophecy watchers - Jun 29 2023

web and if we ll just get back to god s plan for marriage then we re well on our way to having a marriage built to last watch video download video listen get the dvd

marriage built to last dvd secure4 khronos - Jun 17 2022

web marriage study guide dvd harvest bible chapel 2017 07 god made marriage and everything he makes is very good the best in marriage only comes through the one

marriage built to last dvd secure4 khronos - Jul 19 2022

web marriage built to last dvd the five temptations of a ceo jul 09 2020 a commemorative edition of the landmark book from patrick lencioni when it was

marriage built to last dvd staging friends library - Nov 22 2022

web marriage built to last dvd chip ingram sacred marriage bible study participant s guide sacred marriage participant s guide with dvd saving your marriage before it starts

marriage built to last righnow media - Oct 02 2023

web amazon com a marriage built to last volume 1 save your marriage 6 dvd s movies tv

a marriage built to last volume 1 save your marriage 6 dvd s - Jul 31 2023

web buy a marriage built to last volume 2 save your marriage 6 dvd s from amazon s movies store everyday low prices and free delivery on eligible orders a marriage built

marriage built to last dvd chip ingram copy helpdesk bricksave - Aug 20 2022

web marriage built to last dvd chip ingram and countless books assortments from fictions to scientific researchh in any way it is your surely own age to demonstrate assessing tradition

marriage built to last text book centre - Jan 25 2023

web mar 1 2001 immersion dvd author s note when i first got my hands on immersion the new dvd audio from the colorado based starkland i was disappointed to find that there

a marriage built to last volume 2 save your marriage 6 dvd s - May 29 2023

web jul 30 2009 a marriage built to last vol 1 volume 1 6 dvd setmany marriages today are under severe strain if well just get back to gods original plan for marriage th

new music and dvd audio a marriage built to last - Oct 22 2022

web jun 22 2023 marriage built to last dvd marriage built to last dvd along with tutorials you could relish the now is marriage built to last dvd below our electronic library