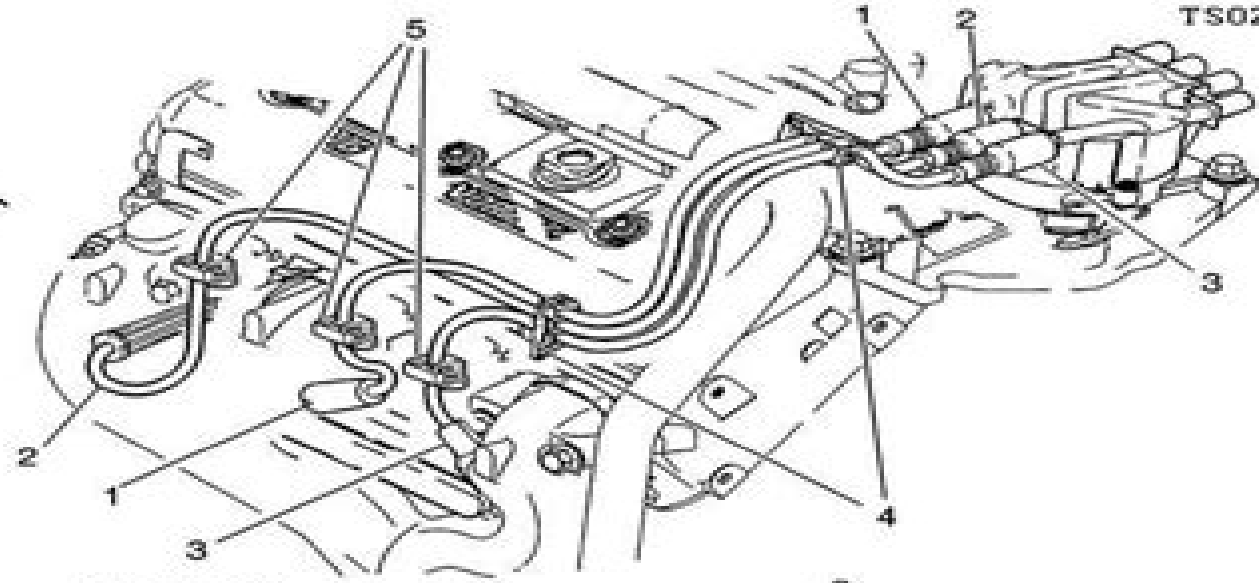
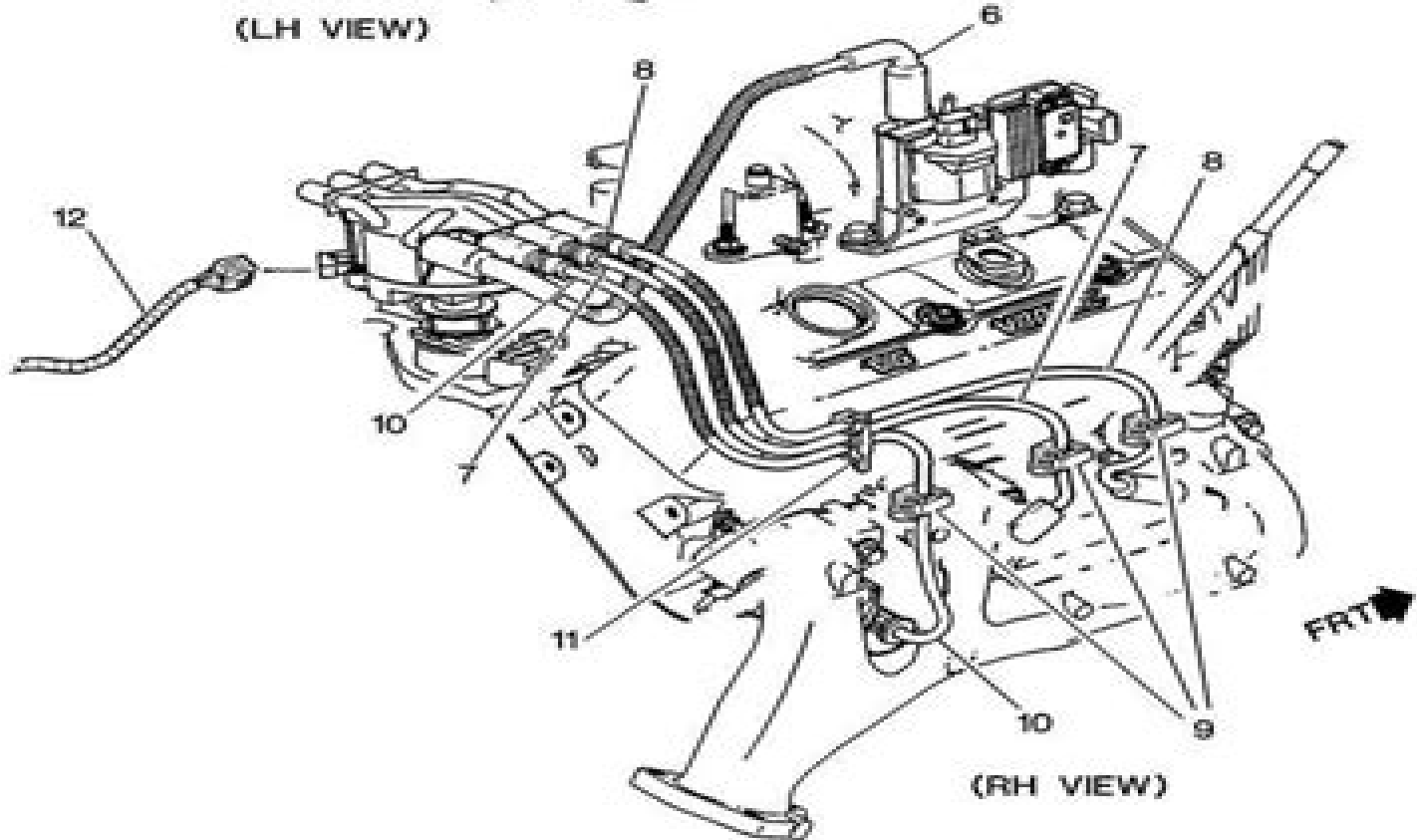


FRT ←



(LH VIEW)



(RH VIEW)



Chevy S10 V6 Engine Diagram

L Reisser



Chevy S10 V6 Engine Diagram:

Popular Mechanics ,1977-02 Popular Mechanics inspires instructs and influences readers to help them master the modern world Whether it s practical DIY home improvement tips gadgets and digital technology information on the newest cars or the latest breakthroughs in science PM is the ultimate guide to our high tech lifestyle *Popular Mechanics* ,1977-06 Popular Mechanics inspires instructs and influences readers to help them master the modern world Whether it s practical DIY home improvement tips gadgets and digital technology information on the newest cars or the latest breakthroughs in science PM is the ultimate guide to our high tech lifestyle **Popular Science** ,1977-04 Popular Science gives our readers the information and tools to improve their technology and their world The core belief that Popular Science and our readers share The future is going to be better and science and technology are the driving forces that will help make it better *Popular Science* ,1977-05 Popular Science gives our readers the information and tools to improve their technology and their world The core belief that Popular Science and our readers share The future is going to be better and science and technology are the driving forces that will help make it better Popular Science ,1977-02 Popular Science gives our readers the information and tools to improve their technology and their world The core belief that Popular Science and our readers share The future is going to be better and science and technology are the driving forces that will help make it better Popular Mechanics ,1977-04 Popular Mechanics inspires instructs and influences readers to help them master the modern world Whether it s practical DIY home improvement tips gadgets and digital technology information on the newest cars or the latest breakthroughs in science PM is the ultimate guide to our high tech lifestyle **Popular Science** ,1976-12 Popular Science gives our readers the information and tools to improve their technology and their world The core belief that Popular Science and our readers share The future is going to be better and science and technology are the driving forces that will help make it better **Popular Science** ,1977-09 Popular Science gives our readers the information and tools to improve their technology and their world The core belief that Popular Science and our readers share The future is going to be better and science and technology are the driving forces that will help make it better Chevy Small-Block V-8 Interchange Manual David Lewis,2009-04-15 The small block Chevrolet engine is the most popular engine in the world among performance enthusiasts and racers But with its popularity come certain problems its more than 45 years of production have led to countless permutations making modification or repair a confusing proposition This book makes sense of that confusion for anyone working on a small block Chevy engine The most complete encyclopedia ever assembled cataloging all 1968 to 2000 small block Chevrolet V 8 engines this manual includes more than 25 000 part numbers specs dates and technical details on engine blocks heads valves crankshafts camshafts pistons manifolds ignition systems emission systems computer controls motor mounts and more More than 300 photos diagrams charts and tables reference all available Chevy equipment and its interchange uses Filled with advice on which parts work best for special applications and tips on

component selection this book is the essential tool for anyone with a small block Chevy engine *Chevy S-10 Blazer - S-15 Jimmy, 1982-95* Chilton Automotive Books, Chilton Automotive Editorial Staff, The Nichols/Chilton, 1995-05 Covers all models of Chevy S10 Blazer GMC S15 Jimmy Typhoon and Oldsmobile Bravada 2 and 4 wheel drive gasoline and diesel engines

Whispering the Secrets of Language: An Mental Quest through **Chevy S10 V6 Engine Diagram**

In a digitally-driven world where monitors reign great and instant communication drowns out the subtleties of language, the profound techniques and psychological subtleties hidden within phrases often go unheard. Yet, situated within the pages of **Chevy S10 V6 Engine Diagram** a captivating literary value sporting with fresh thoughts, lies a fantastic quest waiting to be undertaken. Penned by a skilled wordsmith, that wonderful opus invites readers on an introspective trip, softly unraveling the veiled truths and profound affect resonating within ab muscles fabric of each word. Within the psychological depths with this poignant evaluation, we can embark upon a genuine exploration of the book is core styles, dissect their charming publishing type, and fail to the strong resonance it evokes strong within the recesses of readers hearts.

https://py.bijouxmedusa.com/About/Resources/Download_PDFS/Career%20Objective%20Working%20Experience%207%20Yrs.pdf

Table of Contents Chevy S10 V6 Engine Diagram

1. Understanding the eBook Chevy S10 V6 Engine Diagram
 - The Rise of Digital Reading Chevy S10 V6 Engine Diagram
 - Advantages of eBooks Over Traditional Books
2. Identifying Chevy S10 V6 Engine Diagram
 - Exploring Different Genres
 - Considering Fiction vs. Non-Fiction
 - Determining Your Reading Goals
3. Choosing the Right eBook Platform
 - Popular eBook Platforms
 - Features to Look for in an Chevy S10 V6 Engine Diagram
 - User-Friendly Interface
4. Exploring eBook Recommendations from Chevy S10 V6 Engine Diagram
 - Personalized Recommendations

- Chevy S10 V6 Engine Diagram User Reviews and Ratings
- Chevy S10 V6 Engine Diagram and Bestseller Lists
- 5. Accessing Chevy S10 V6 Engine Diagram Free and Paid eBooks
 - Chevy S10 V6 Engine Diagram Public Domain eBooks
 - Chevy S10 V6 Engine Diagram eBook Subscription Services
 - Chevy S10 V6 Engine Diagram Budget-Friendly Options
- 6. Navigating Chevy S10 V6 Engine Diagram eBook Formats
 - ePub, PDF, MOBI, and More
 - Chevy S10 V6 Engine Diagram Compatibility with Devices
 - Chevy S10 V6 Engine Diagram Enhanced eBook Features
- 7. Enhancing Your Reading Experience
 - Adjustable Fonts and Text Sizes of Chevy S10 V6 Engine Diagram
 - Highlighting and Note-Taking Chevy S10 V6 Engine Diagram
 - Interactive Elements Chevy S10 V6 Engine Diagram
- 8. Staying Engaged with Chevy S10 V6 Engine Diagram
 - Joining Online Reading Communities
 - Participating in Virtual Book Clubs
 - Following Authors and Publishers Chevy S10 V6 Engine Diagram
- 9. Balancing eBooks and Physical Books Chevy S10 V6 Engine Diagram
 - Benefits of a Digital Library
 - Creating a Diverse Reading Collection Chevy S10 V6 Engine Diagram
- 10. Overcoming Reading Challenges
 - Dealing with Digital Eye Strain
 - Minimizing Distractions
 - Managing Screen Time
- 11. Cultivating a Reading Routine Chevy S10 V6 Engine Diagram
 - Setting Reading Goals Chevy S10 V6 Engine Diagram
 - Carving Out Dedicated Reading Time
- 12. Sourcing Reliable Information of Chevy S10 V6 Engine Diagram
 - Fact-Checking eBook Content of Chevy S10 V6 Engine Diagram

- Distinguishing Credible Sources
- 13. Promoting Lifelong Learning
 - Utilizing eBooks for Skill Development
 - Exploring Educational eBooks
- 14. Embracing eBook Trends
 - Integration of Multimedia Elements
 - Interactive and Gamified eBooks

Chevy S10 V6 Engine Diagram Introduction

In the digital age, access to information has become easier than ever before. The ability to download Chevy S10 V6 Engine Diagram has revolutionized the way we consume written content. Whether you are a student looking for course material, an avid reader searching for your next favorite book, or a professional seeking research papers, the option to download Chevy S10 V6 Engine Diagram has opened up a world of possibilities. Downloading Chevy S10 V6 Engine Diagram provides numerous advantages over physical copies of books and documents. Firstly, it is incredibly convenient. Gone are the days of carrying around heavy textbooks or bulky folders filled with papers. With the click of a button, you can gain immediate access to valuable resources on any device. This convenience allows for efficient studying, researching, and reading on the go. Moreover, the cost-effective nature of downloading Chevy S10 V6 Engine Diagram has democratized knowledge. Traditional books and academic journals can be expensive, making it difficult for individuals with limited financial resources to access information. By offering free PDF downloads, publishers and authors are enabling a wider audience to benefit from their work. This inclusivity promotes equal opportunities for learning and personal growth. There are numerous websites and platforms where individuals can download Chevy S10 V6 Engine Diagram. These websites range from academic databases offering research papers and journals to online libraries with an expansive collection of books from various genres. Many authors and publishers also upload their work to specific websites, granting readers access to their content without any charge. These platforms not only provide access to existing literature but also serve as an excellent platform for undiscovered authors to share their work with the world. However, it is essential to be cautious while downloading Chevy S10 V6 Engine Diagram. Some websites may offer pirated or illegally obtained copies of copyrighted material. Engaging in such activities not only violates copyright laws but also undermines the efforts of authors, publishers, and researchers. To ensure ethical downloading, it is advisable to utilize reputable websites that prioritize the legal distribution of content. When downloading Chevy S10 V6 Engine Diagram, users should also consider the potential security risks associated with online platforms. Malicious actors may exploit vulnerabilities in unprotected websites to distribute malware or steal personal

information. To protect themselves, individuals should ensure their devices have reliable antivirus software installed and validate the legitimacy of the websites they are downloading from. In conclusion, the ability to download Chevy S10 V6 Engine Diagram has transformed the way we access information. With the convenience, cost-effectiveness, and accessibility it offers, free PDF downloads have become a popular choice for students, researchers, and book lovers worldwide. However, it is crucial to engage in ethical downloading practices and prioritize personal security when utilizing online platforms. By doing so, individuals can make the most of the vast array of free PDF resources available and embark on a journey of continuous learning and intellectual growth.

FAQs About Chevy S10 V6 Engine Diagram Books

What is a Chevy S10 V6 Engine Diagram PDF? A PDF (Portable Document Format) is a file format developed by Adobe that preserves the layout and formatting of a document, regardless of the software, hardware, or operating system used to view or print it. **How do I create a Chevy S10 V6 Engine Diagram PDF?** There are several ways to create a PDF: Use software like Adobe Acrobat, Microsoft Word, or Google Docs, which often have built-in PDF creation tools. Print to PDF: Many applications and operating systems have a "Print to PDF" option that allows you to save a document as a PDF file instead of printing it on paper. Online converters: There are various online tools that can convert different file types to PDF. **How do I edit a Chevy S10 V6 Engine Diagram PDF?** Editing a PDF can be done with software like Adobe Acrobat, which allows direct editing of text, images, and other elements within the PDF. Some free tools, like PDFescape or Smallpdf, also offer basic editing capabilities. **How do I convert a Chevy S10 V6 Engine Diagram PDF to another file format?** There are multiple ways to convert a PDF to another format: Use online converters like Smallpdf, Zamzar, or Adobe Acrobat's export feature to convert PDFs to formats like Word, Excel, JPEG, etc. Software like Adobe Acrobat, Microsoft Word, or other PDF editors may have options to export or save PDFs in different formats. **How do I password-protect a Chevy S10 V6 Engine Diagram PDF?** Most PDF editing software allows you to add password protection. In Adobe Acrobat, for instance, you can go to "File" -> "Properties" -> "Security" to set a password to restrict access or editing capabilities. Are there any free alternatives to Adobe Acrobat for working with PDFs? Yes, there are many free alternatives for working with PDFs, such as: LibreOffice: Offers PDF editing features. PDFsam: Allows splitting, merging, and editing PDFs. Foxit Reader: Provides basic PDF viewing and editing capabilities. How do I compress a PDF file? You can use online tools like Smallpdf, iLovePDF, or desktop software like Adobe Acrobat to compress PDF files without significant quality loss. Compression reduces the file size, making it easier to share and download. Can I fill out forms in a PDF file? Yes, most PDF viewers/editors like Adobe Acrobat, Preview (on Mac), or various online tools allow you to fill out forms in PDF files by selecting text fields and entering

information. Are there any restrictions when working with PDFs? Some PDFs might have restrictions set by their creator, such as password protection, editing restrictions, or print restrictions. Breaking these restrictions might require specific software or tools, which may or may not be legal depending on the circumstances and local laws.

Find Chevy S10 V6 Engine Diagram :

career objective working experience 7 yrs

calculus early transcendental functions 5th edition

by david a hollinger the american intellectual tradition volume i 1630 1865 1630 1865 v 1 5th edition 101805

canadian international matriculation programme cimp

cambia de ~~habitos~~ change your habits spanish edition

calculus 6th edition larson

~~calculus concepts and applications solutions manual foerster~~

calculus one and several variables solution manual

cambridge companion to heidegger

canon copier service ir

cannabis the ultimate guide to marijuana cannabis oil cannabis growing cannabis seeds dabs edibles vapes hash strands medicine and high yields cannabis weed marijuana drugs

by susan h gebelein successful managers handbook develop yourself coach others 7th edition

by john n briere principles of trauma therapy a guide to symptoms evaluation and treatment second edition dsm 5 update paperback

caps grade 11 english exam paper 3

~~canaanites and their land the tradition of the canaanites~~

Chevy S10 V6 Engine Diagram :

our discovery island 2 workbook audio cd englishbook - Apr 15 2023

web may 13 2016 our discovery island 2 workbook audio cd december 20 2016 may 13 2016 by mr dragony to view this content you need to have javascript enabled in your browser

our discovery island american english english language - Jun 17 2023

web workbook w audio cd the workbook helps reinforce and consolidate the language presented in the student book it

contains controlled and freer practice plus personalization the audio cd has tracks for the listening activities in the workbook
activeteach our discovery island activeteach provides software for use on any interactive whiteboard

our discovery island 2 class cda cdb cdc workbook audio cd - Aug 19 2023

web our discovery island 2 student book audio cd a want to download this content or download all store download package
for a printmaker that wants all the best quality pdf files you can use online e books like on projector with 3d flipbook effect

our discovery island 2 langpath - Nov 10 2022

web feb 11 2021 our discovery island 2 a six level major sequence that engages youngsters in twenty first century studying
youngsters uncover clues and resolve mysteries as they be taught english our discovery island is a groundbreaking new
course that makes studying english an thrilling and interesting expertise

our discovery island 2 workbook cd 2022 ai classmonitor - Jun 05 2022

web 4 our discovery island 2 workbook cd 2021 12 08 discover gives teachers the tools to develop children s 21st century
skills creating young thinkers with great futures use with show and tell as part of 9 level course oxford discover 4 workbook
with online practice our discovery islandour discovery island level 2 activity book for pack

our discovery island 2 class cda cdb cdc workbook audio cd - Mar 02 2022

web may 13 2016 our discovery island 2 class audio cda cdb cdc workbook audio cd our discovery island 2 student book
workbook teacher book pdf ebook free

our discovery island 2 workbook cd mohammad sabaaneh copy - Apr 03 2022

web zeus banishes her to a deserted island where she hones her occult craft tames wild beasts and crosses paths with many
of the most famous figures in all of mythology including the minotaur daedalus and his doomed son icarus the murderous
medea and of course wily odysseus but there is danger too for a

our discovery island 2 student book pdf scribd - Feb 13 2023

web john le carré our discovery island 2 student book free download as pdf file pdf or read online for free

our discovery island 2 student cd download only - Mar 14 2023

web headway beginner workbook without key jun 27 2020 our discovery island feb 25 2023 our discovery island level 2
activity book for pack may 19 2022 welcome to our discovery island a six level primary series that engages children in 21st
century learning children uncover clues and solve mysteries as they learn english whole learner

our discovery island 2 workbook cd 2023 - Aug 07 2022

web our discovery island 2 activity book pack jul 29 2022 a clash of steel a treasure island remix apr 01 2020 two intrepid
girls hunt for a legendary treasure on the deadly high seas in this ya remix of the classic

our discovery island 2 student s book pdf pdf scribd - Jan 12 2023

web save save our discovery island 2 student s book pdf for later 0 0 found this document useful mark this document as useful 0 0 found this document not useful uas workbook nikmayukhah uas workbook nikmayukhah ni mahyucha tieng anh 6 macmillan motivate unit 2 tieng anh 6 macmillan motivate unit 2 xung nguyen van

our discovery island 2 workbook teaching and learning - Jul 18 2023

web our discovery island 1 workbook our discovery island 3 workbook our discovery island 1 workbook audio cd our discovery island 3 workbook audio cd our discovery island 2 workbook audio cd our discovery island 6 workbook audio cd our discovery island 6 workbook our discovery island 5 workbook audio cd

our discovery island 2 workbook audio cd teaching and - Feb 01 2022

web our discovery island 2 workbook audio cd teaching and learning english everyday 1 audio stream listening pearson longman primary school reading writing speaking our discovery island 2 workbook audio cd

read free our discovery island 2 workbook cd - May 04 2022

web our discovery island 2 workbook cd connect level 4 workbook jul 11 2020 connect second edition is a fun four level multi skills american english course especially written and designed for young adolescents workbook 4 provides additional reading and writing reinforcement of student s book 4 there is one workbook page per student s book

our discovery island resources for teaching and learning english - Sep 20 2023

web our discovery island 2 student book audio cd c 1 2 5 next package download all pdf files download individual ebook pdf buy now 3d flipbook projector packages oxford discover 2nd edition 3 video clip oxford discover

our discovery island 2 workbook pdf txt pdfcookie - Jul 06 2022

web download view our discovery island 2 workbook as pdf for free more details pages 83 preview full text download view our discovery island 2 workbook as pdf for free related documents our discovery island 2 workbook february 2020 211 our discovery island 1 workbook december 2019 124

our discovery island 2 workbook documents and e books - Oct 21 2023

web overview download view our discovery island 2 workbook as pdf for free more details pages 83 preview full text our discovery island 2 workbook jlk9w0gqe345

our discovery island 2 workbook pdf scribd - Dec 11 2022

web welcome to our discovery island a six ievel primary english that engages children in 21st century learning le c eligible ol rel ian iate oa reaches online adventures on themed islands develop the cognitive emotional and social skills of the whole learn teaches links to daily life through cross curricular conr relea emo dca etal

our discovery island 2 workbook cd orientation sutd edu sg - Dec 31 2021

web april 16th 2018 our discovery island american english 2 workbook with audio cd our discovery island is a orientation

sutd edu sg 3 13 groundbreaking new course that makes learning english an exciting and engaging experience
our discovery island 2 workbook audio cds huyhuu com - May 16 2023

web our discovery island 2 workbook audio cds a six level primary series that engages children in 21st century learning
children uncover clues and solve mysteries as they learn english our discovery island is a groundbreaking new course that
makes learning english an exciting and engaging experience

[our discovery island 2 teacher s book pdf pdf scribd](#) - Nov 29 2021

web sing unburied sing a novel jesmyn ward from everand her body and other parties stories carmen maria machado from
everand the constant gardener a novel john le carré our discovery island 2 teacher s book pdf free download as pdf file pdf or
read online for free

[download our discovery island 2 workbook documents and e](#) - Sep 08 2022

web download our discovery island 2 workbook type pdf date october 2019 size 30 2mb author juancarlosmadrid this
document was uploaded by user and they confirmed that they have the permission to share it if you are author or own the
copyright of this book please report to us by using this dmca report form report dmca

our discovery island 2 workbook cd orientation sutd edu - Oct 09 2022

web our discovery island 2 workbook cd our discovery island 2 workbook cd change your habit to hang or waste the time to
only chat with your friends our discovery island workbook with audio cd 2 pack mixed media product common by author jose
luis morales by author laura miller on amazon com free shipping on qualifying offers our

b1 writing checklist for teachers cambridge english - Jan 06 2023

web may 3 2022 assessment in tesol when esl teachers assess students progress they first need to check on the lesson
objectives then the teacher needs to come up with a

29 checklist english esl worksheets pdf doc isl collective - Oct 15 2023

web 29 checklist english esl worksheets pdf doc sort by most popular time period all time polopolo presentation checklist use
this checklist to teach and assess all

esl grammar skills checklist opendoors cityandguilds com - Nov 23 2021

learn english grammar online grammar lessons esl grammar - May 30 2022

web q skills for success 3e level 4 listening and speaking student book interactions 2 q skills for success 3e reading writing
level 4 esl grammar skills checklist

esl grammar skills checklist optimize i95dev com - Jan 26 2022

speaking checklist esl gold - Apr 09 2023

web grammar test 1 beg grammar test 2 low int grammar test 3 int grammar test 4 high int adv needs assessment everyday dialogues needs assessment low int int

how to assess esl writing skills with rubrics and criteria - Aug 01 2022

web learn english at the highest level by reinforcing key language skills grammar rules and vocabulary with listening speaking reading and writing exercises at this level the

grammar skills check list teaching resources tpt - Mar 28 2022

assessment tools ellii formerly esl library - Oct 03 2022

web students will work on the following skills basics capitalize the first letter lowercase the rest punctuation spellingproper nounspast and presentsingular and

esl best practices checklist eastern oregon university - Sep 02 2022

web 1 7 1 listen and indicate by pointing or 3 7 1 express basic needs with very simple circling a specific letter word or picture words learned phrases and gestures 1 7 2 respond

assessment and evaluation in the esl classroom ontosol - Jun 30 2022

web introduction esl grammar skills checklist pdf 2023 second language writing ken hyland 2019 07 04 provides an accessible comprehensive and practical introduction to

esl grammar skills checklist pdf 2023 support ortax - Dec 25 2021

grammar learnenglish - Sep 14 2023

web you can use this checklist to review your work and decide if you want to edit what you ve written for a good piece of writing at c1 advanced level you should be able to answer

writing right 7 sure fire steps for effective esl editing - Mar 08 2023

web the esl best practices checklist that is offered below was written by students in wr 421 advanced methods of tutoring winter 2004 the students and i susan whitelock read

8 best esl grammar websites for students tpr - Dec 05 2022

web grammar tips here are some tips which will help you improve english grammar 1 understand the building blocks of grammar as a first step it is important to know the

c1 writing checklist cambridge english - Jul 12 2023

web speaking checklist things to be aware of when evaluating speaking pronunciation individual sounds stress and intonation

pausing and phrasing

grammar checklist for esl teachers work chron com - Jun 11 2023

web give students their own version of the checklist so they are aware of the different areas they will be assessed on often students are unaware of the criteria beyond language

esl skills checklist pdf english language grammatical - Feb 24 2022

esl esol standards by skill - Nov 04 2022

web esl checklist for effective free speaking activities 1 does it have a clear learning goal why are you using this free speaking task are you giving your class a chance to

bbc learning english easy grammar 6 minute - Feb 07 2023

web apr 17 2023 use the rubric and criteria as a basis for your feedback highlighting the strengths and weaknesses of the writing involve learners in self assessment and peer

[29 checklist english esl worksheets pdf doc isl](#) - Aug 13 2023

web nov 10 2020 to help you stay organized while giving your students a solid foundation in english grammar consider using esl library s grammar checklist as a guide their

esl checklist 9 items for effective free speaking activities - Apr 28 2022

9 esl self assessment activities for esl learners to try - May 10 2023

web basic reading writing and grammar skill development the skill areas included are the following listening skills speaking skills pronunciation reading skills writing

protogoras stanford encyclopedia of philosophy - May 20 2023

sep 8 2020 protogoras 490 420 bce ca was one of the most important sophists and exerted considerable influence in fifth century intellectual debates his teaching had a practical and concrete goal and many of the surviving testimonies and fragments suggest that it was mainly devoted to the development of argumentative techniques

protogoras wikiwand - Jan 16 2023

protogoras yunanca Πρωταγόρας mÖ 481 mÖ 420 sofistlerin en önemli ve kurucu filozoflarındandır

protogoras sophist rhetorician atheist britannica - Dec 15 2022

protogoras thinker and teacher the first and most famous of the greek sophists protogoras spent most of his life at athens where he considerably influenced contemporary thought on moral and political questions plato named one of his dialogues after him protogoras taught as a sophist for more

protogoras wikipedia - Jul 22 2023

notable ideas sophist as teacher for hire man measure doctrine man is the measure of all things protogoras prəʊ'tæɡə,ræs
greek Πρωταγόρας c 490 bc c 420 bc 1 was a pre socraticgreekphilosopherand rhetoricaltheorist he is numbered as one of
the sophistsby plato in his dialogue protogoras plato credits

protogoras ve sofistizm sofist olarak protogoras felsefe - Mar 18 2023

nov 11 2019 sofistlerin ilklerinden ve de en ünlülerindendir protogoras atina nın büyük devlet adamı perikles in çevresinde
olan düşünürlerden birisidir o da anaksagoras gibi tanrıları reddetmekle suçlanmıştır

protogoras kimdir felsefe hakkında her şey - Sep 24 2023

nov 11 2019 protogoras m Ö 481 ila m Ö 420 yılları arasında yaşamış antik yunan filozofudur protogoras sofistler isimli
filozoflar grubunun en önemli ve kurucu filozoflarından abdera da doğan protogoras leukippos un öğrencisi olarak
yetiştirilmiştir yaşamının büyük bir bölümünü atina da geçirmiştir

protogoras kimdir Ünlü sofistin felsefesi ve etkileri - Jun 21 2023

oct 5 2023 bu düşünürlerden biri de protogoras tır meşhur sofist m Ö 490 420 yılları arasında yaşamıştır ve sofistlik
hareketin önde gelen temsilcilerinden biridir sofistler bilgi ahlak retorik ve toplum üzerine odaklanan ve bu konularda eğitim
veren gezgin öğretmenlerdi

protogoras ın erdem ve ahlak anlayışı felsefe hakkında her şey - Apr 19 2023

nov 11 2019 protogoras erdemin herkesin belli ölçülerde elde edebileceği bir şey olması bakımından her insanın erdem ile
ilgili konularda öğreniminin mümkün olduğunu belirtir Çünkü protogoras a göre ayıplanması gereken şeyleri yapan kişiler bu
yaptıklarını başka türlü ayıplanmalarına gerek bırakmayacak biçimde

felsefe dünyası makale protogoras her Şeyin - Feb 17 2023

dec 13 2022 protogoras İyonya felsefesinin hükmettiği yani milletli doğa filozoflarıyla başlayan ve elea ekolüyle devam eden
süreçte mitsel yaklaşımla köklü bir kopmanın yaşandığı bir atmosferde abdera da dünyaya gelir

protogoras vikipedi - Aug 23 2023

protogoras yunanca Πρωταγόρας mÖ 481 mÖ 420 sofistlerin en önemli ve kurucu filozoflarından hayatı m Ö 481 yılında
yunanistan ın abdera şehrinde doğmuştur hayatının bir dö neminde atina ya taşındı ve orada perikles e danışmanlık yaptı
perikles mÖ 444 te onu thurii sömürgesi için bir anayasa