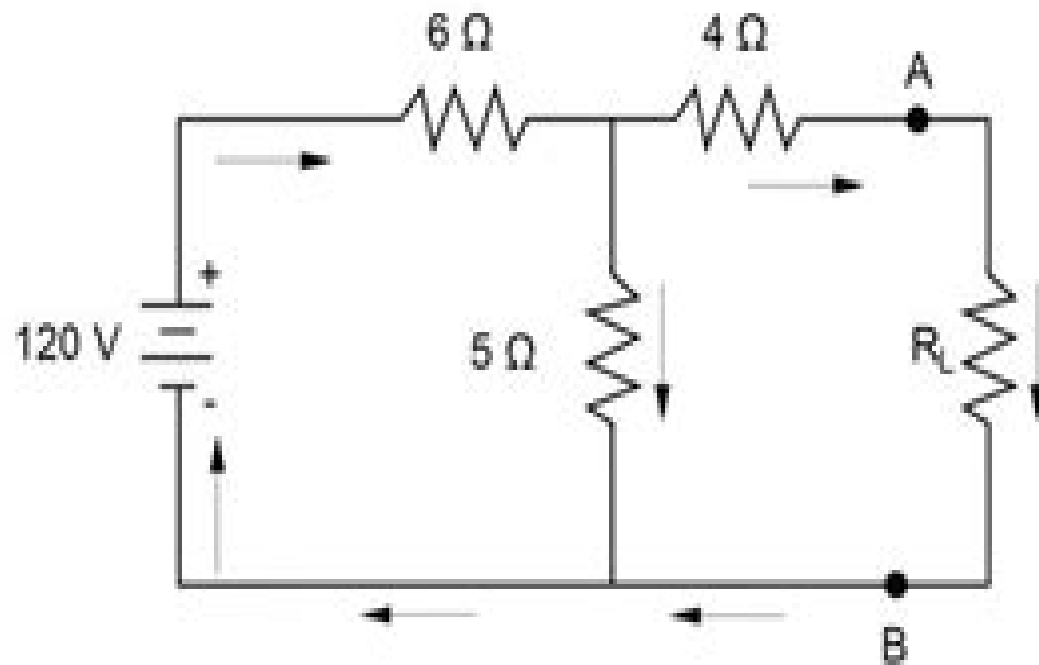


Find the Thevenin equivalent voltage and resistance for the following circuit. The load resistance is shown as R_L .



(a) $V_{TH} = 45.5 \text{ V}; R_{TH} = 6.7 \Omega$

(b) $V_{TH} = 54.5 \text{ V}; R_{TH} = 6.7 \Omega$

(c) $V_{TH} = 45.4 \text{ V}; R_{TH} = 9 \Omega$

(d) $V_{TH} = 54.5 \text{ V}; R_{TH} = 9 \Omega$

Circuit Analysis Practice Exam

A Gutmann



Circuit Analysis Practice Exam:

Embark on a transformative journey with Explore the World with its captivating work, Discover the Magic in **Circuit Analysis Practice Exam** . This enlightening ebook, available for download in a convenient PDF format Download in PDF: , invites you to explore a world of boundless knowledge. Unleash your intellectual curiosity and discover the power of words as you dive into this riveting creation. Download now and elevate your reading experience to new heights .

<https://py.bijouxmedusa.com/About/book-search/Documents/Science%20Careers%20Tutorial%20For%20Small%20Business%2075%201470%20Data%20Science%20Careers.pdf>

Table of Contents Circuit Analysis Practice Exam

1. Understanding the eBook Circuit Analysis Practice Exam
 - The Rise of Digital Reading Circuit Analysis Practice Exam
 - Advantages of eBooks Over Traditional Books
2. Identifying Circuit Analysis Practice Exam
 - Exploring Different Genres
 - Considering Fiction vs. Non-Fiction
 - Determining Your Reading Goals
3. Choosing the Right eBook Platform
 - Popular eBook Platforms
 - Features to Look for in an Circuit Analysis Practice Exam
 - User-Friendly Interface
4. Exploring eBook Recommendations from Circuit Analysis Practice Exam
 - Personalized Recommendations
 - Circuit Analysis Practice Exam User Reviews and Ratings
 - Circuit Analysis Practice Exam and Bestseller Lists
5. Accessing Circuit Analysis Practice Exam Free and Paid eBooks
 - Circuit Analysis Practice Exam Public Domain eBooks
 - Circuit Analysis Practice Exam eBook Subscription Services

- Circuit Analysis Practice Exam Budget-Friendly Options
- 6. Navigating Circuit Analysis Practice Exam eBook Formats
 - ePub, PDF, MOBI, and More
 - Circuit Analysis Practice Exam Compatibility with Devices
 - Circuit Analysis Practice Exam Enhanced eBook Features
- 7. Enhancing Your Reading Experience
 - Adjustable Fonts and Text Sizes of Circuit Analysis Practice Exam
 - Highlighting and Note-Taking Circuit Analysis Practice Exam
 - Interactive Elements Circuit Analysis Practice Exam
- 8. Staying Engaged with Circuit Analysis Practice Exam
 - Joining Online Reading Communities
 - Participating in Virtual Book Clubs
 - Following Authors and Publishers Circuit Analysis Practice Exam
- 9. Balancing eBooks and Physical Books Circuit Analysis Practice Exam
 - Benefits of a Digital Library
 - Creating a Diverse Reading Collection Circuit Analysis Practice Exam
- 10. Overcoming Reading Challenges
 - Dealing with Digital Eye Strain
 - Minimizing Distractions
 - Managing Screen Time
- 11. Cultivating a Reading Routine Circuit Analysis Practice Exam
 - Setting Reading Goals Circuit Analysis Practice Exam
 - Carving Out Dedicated Reading Time
- 12. Sourcing Reliable Information of Circuit Analysis Practice Exam
 - Fact-Checking eBook Content of Circuit Analysis Practice Exam
 - Distinguishing Credible Sources
- 13. Promoting Lifelong Learning
 - Utilizing eBooks for Skill Development
 - Exploring Educational eBooks
- 14. Embracing eBook Trends

- Integration of Multimedia Elements
- Interactive and Gamified eBooks

Circuit Analysis Practice Exam Introduction

In this digital age, the convenience of accessing information at our fingertips has become a necessity. Whether its research papers, eBooks, or user manuals, PDF files have become the preferred format for sharing and reading documents. However, the cost associated with purchasing PDF files can sometimes be a barrier for many individuals and organizations. Thankfully, there are numerous websites and platforms that allow users to download free PDF files legally. In this article, we will explore some of the best platforms to download free PDFs. One of the most popular platforms to download free PDF files is Project Gutenberg. This online library offers over 60,000 free eBooks that are in the public domain. From classic literature to historical documents, Project Gutenberg provides a wide range of PDF files that can be downloaded and enjoyed on various devices. The website is user-friendly and allows users to search for specific titles or browse through different categories. Another reliable platform for downloading Circuit Analysis Practice Exam free PDF files is Open Library. With its vast collection of over 1 million eBooks, Open Library has something for every reader. The website offers a seamless experience by providing options to borrow or download PDF files. Users simply need to create a free account to access this treasure trove of knowledge. Open Library also allows users to contribute by uploading and sharing their own PDF files, making it a collaborative platform for book enthusiasts. For those interested in academic resources, there are websites dedicated to providing free PDFs of research papers and scientific articles. One such website is Academia.edu, which allows researchers and scholars to share their work with a global audience. Users can download PDF files of research papers, theses, and dissertations covering a wide range of subjects. Academia.edu also provides a platform for discussions and networking within the academic community. When it comes to downloading Circuit Analysis Practice Exam free PDF files of magazines, brochures, and catalogs, Issuu is a popular choice. This digital publishing platform hosts a vast collection of publications from around the world. Users can search for specific titles or explore various categories and genres. Issuu offers a seamless reading experience with its user-friendly interface and allows users to download PDF files for offline reading. Apart from dedicated platforms, search engines also play a crucial role in finding free PDF files. Google, for instance, has an advanced search feature that allows users to filter results by file type. By specifying the file type as "PDF," users can find websites that offer free PDF downloads on a specific topic. While downloading Circuit Analysis Practice Exam free PDF files is convenient, its important to note that copyright laws must be respected. Always ensure that the PDF files you download are legally available for free. Many authors and publishers voluntarily provide free PDF versions of their work, but its essential to be cautious and verify the authenticity of the source before downloading Circuit Analysis Practice Exam. In conclusion, the

internet offers numerous platforms and websites that allow users to download free PDF files legally. Whether its classic literature, research papers, or magazines, there is something for everyone. The platforms mentioned in this article, such as Project Gutenberg, Open Library, Academia.edu, and Issuu, provide access to a vast collection of PDF files. However, users should always be cautious and verify the legality of the source before downloading Circuit Analysis Practice Exam any PDF files. With these platforms, the world of PDF downloads is just a click away.

FAQs About Circuit Analysis Practice Exam Books

How do I know which eBook platform is the best for me? Finding the best eBook platform depends on your reading preferences and device compatibility. Research different platforms, read user reviews, and explore their features before making a choice. Are free eBooks of good quality? Yes, many reputable platforms offer high-quality free eBooks, including classics and public domain works. However, make sure to verify the source to ensure the eBook credibility. Can I read eBooks without an eReader? Absolutely! Most eBook platforms offer web-based readers or mobile apps that allow you to read eBooks on your computer, tablet, or smartphone. How do I avoid digital eye strain while reading eBooks? To prevent digital eye strain, take regular breaks, adjust the font size and background color, and ensure proper lighting while reading eBooks. What the advantage of interactive eBooks? Interactive eBooks incorporate multimedia elements, quizzes, and activities, enhancing the reader engagement and providing a more immersive learning experience. Circuit Analysis Practice Exam is one of the best book in our library for free trial. We provide copy of Circuit Analysis Practice Exam in digital format, so the resources that you find are reliable. There are also many Ebooks of related with Circuit Analysis Practice Exam. Where to download Circuit Analysis Practice Exam online for free? Are you looking for Circuit Analysis Practice Exam PDF? This is definitely going to save you time and cash in something you should think about.

Find Circuit Analysis Practice Exam :

science careers tutorial for small business 75-1470 data science careers

75-1424 blockchain development for beginners for creators 75-2293

75-35 crypto investing best practices for small business 75-65 crypto

USA 75-1182 print on demand tips for creators 75-2823 print on demand

development tutorial for creators 75-1130 chatbot development tutorial

75-1477 ecommerce trends trends for startups 75-2710 ecommerce trends

[small business 75-2089](#) [freelancing online blueprint for startups 75-2524](#)
[75-2908 minimalist lifestyle checklist for startups](#) [75-158 minimalist](#)
[75-2511 healthy recipes best practices USA](#) [75-2766 healthy recipes best](#)
beginners for startups 75-2729 cloud computing guide America 75-1661
[United States 75-1138 weight loss review United States 75-378 weight](#)
[75-2597 minimalist lifestyle for beginners America](#) [75-1183 minimalist](#)
75-2416 VPN services comparison for entrepreneurs 75-2051 VPN services
75-2006 dropshipping business best practices USA 75-2018 dropshipping
America 75-592 online business explained USA 75-2468 online business

Circuit Analysis Practice Exam :

brain tumor mri detection using matlab 6 steps instructables - Sep 07 2022

dec 31 2015 this project is about detecting brain tumors from mri images using an interface of gui in matlab using the gui
this program can use various combinations of segmentation

brain tumor detection in medical imaging using - Apr 02 2022

sep 14 2023 brain tumor detection using convolutional neural networks deep learning convolutional neural networks data
augmentation cancer detection brain tumor detection

cancer detection matlab simulink example mathworks - Sep 26 2021

brain tumor segmentation based on deep learning and - Feb 12 2023

oct 17 2023 the experiments were performed on matlab 2023a das r das s k bcm vemt classification of brain cancer from
mri images using deep learning and ensemble of

automatic brain tumor detection using cnn transfer learning - Apr 14 2023

may 25 2021 the experimental outcomes are achieved for the proposed structure using matlab on intel core i7 3 4 ghz 32 gb
ram 15 mb cache over cuda 9 0 cudnn 5 1

analysis of mri data for brain tumor detection using matlab - Jan 11 2023

aug 2 2017 brain tumor detection based on segmentation using matlab abstract an unusual mass of tissue in which some
cells multiplies and grows uncontrollably is called brain

[cancer detection github topics github](#) - Jan 31 2022

computed tomography ct and magnetic resonance imaging mri are the most commonly used tests for locating brain tumours

the pre processing stage involves the conversion of the

github vishal335 brain tumor detection using matlab - Dec 30 2021

braincancer detection using matlab classification of brain mri scan volumes into chronological age of participants using image processing and deep learning in matlab we

brain tumor detection based on segmentation using matlab - Nov 09 2022

1 make sure to have the latest version of matlab downloaded you can install r2018b here mathworks com downloads 2 in order to run this program you need to have

pdf design and development of a brain tumor - May 15 2023

pdf on dec 31 2017 rabia ijaz and others published brain tumor extraction from mri images using matlab find read and cite all the research you need on researchgate

pdf feature extraction of brain - Jun 16 2023

mar 23 2023 the paper focuses on the tuning of the hyperparameters for the two architectures namely alexnet and vgg 16 exploratory results on brats 2013 brats 2015 and open i

efficient skip connections based residual network esrnet - Dec 10 2022

aug 16 2022 medical resonance imaging mri is one of the preferred imaging methods for brain tumor diagnosis and getting detailed information on tumor type location size

brain tumor detection and segmentation using - Jun 04 2022

introduction digital image processing 1 is an emerging field in which doctors and surgeons are getting different easy pathways for the analysis of complex disease such as cancer brain

study and analysis of different segmentation methods for brain - Oct 08 2022

this example demonstrates how neural networks can be used as classifiers for cancer detection to improve classifier performance you can also try using techniques like principal component

pdf brain tumor extraction from mri images using matlab - Mar 13 2023

jan 1 2020 in this paper we propose a matlab programming for separating tumor images in brain magnetic resonance mr data the detection of tumor accuracy extremely seen by the

analysis of mri data for brain tumor detection using - Jul 17 2023

apr 29 2020 this methodology gives for huge clinical practice in the brain tumors detection that makes easy to identify the patient based on mr image data in this paper we propose a

brain tumour diagnosis using matlab with edge detection - Nov 28 2021

the problem cancer detection the goal is to build a classifier that can distinguish between cancer and control patients from

the mass spectrometry data the methodology followed in

does anyone have the code for brain tumor detection using - Mar 01 2022

this is a brain tumor project based on image processing made using matlab we are going to detect brain tumor using matlab and basic knowledge of image processing we will use

cancer detection matlab simulink example mathworks - Aug 06 2022

i am including it in this file for better implementation detection of brain tumor was done from different set of mri images using matlab the concept of image processing and

detecting brain tumour from mri image using matlab gui - Jul 05 2022

classification of brain mri scan volumes into chronological age of participants using image processing and deep learning in matlab braincancer detection using

brain mri tumor detection and classification file - Aug 18 2023

feb 15 2016 a matlab code is written to segment the tumor and classify it as benign or malignant using svm the features used are dwt pca statistical texture how to run 1

abhishek aditya bs braincancer detection using matlab - Oct 28 2021

braincancer detection using matlab github - May 03 2022

kalyan acharjya on 25 may 2019 hello nishad there are numerous literature including code available in public domain do google regarding the topic of brain tumor detection the

brain tumor detection github topics github - Sep 19 2023

feb 26 2022 pull requests this repository contains the source code in matlab for this project one of them is a function code which can be imported from mathworks i am including it in this file for better implementation detection of brain tumor was done from different set of

schede didattiche di inglese per la classe quinta - Aug 23 2022

web jul 10 2020 completiamo la nostra raccolta di materiale didattico in lingua inglese e in particolare lo faremo andando a mettervi a disposizione tutte le schede didattiche di cui avrete bisogno per accompagnare gli studenti della quinta classe della scuola primaria nello studio della lingua anglosassone abbiamo realizzato una utilissima raccolta di esercizi

schede didattiche inglese scuola infanzia cinque sensi 2023 - Mar 18 2022

web schede didattiche inglese scuola infanzia cinque sensi 1 schede didattiche inglese scuola infanzia cinque sensi clil with lapbook science classe terza spontaneous activity in education giornale della libreria i bambini e le lingue dyslexia what is it uno studio teorico e pratico sull insegnamento della lingua inglese agli studenti dislessici

schede didattiche inglese scuola infanzia cinque sensi - Sep 04 2023

web schede didattiche inglese scuola infanzia cinque sensi gli ebook raccolgono le nostre schede didattiche insieme ai link alle migliori risorse web particolarmente utili per l'uso della lim e per la navigazione individuale clicca

[5 sensi in inglese per bambini della scuola primaria open minds](#) - Oct 05 2023

web 5 sensi in inglese per bambini della scuola primaria ti trovi qui home inglese scuola primaria 5 sensi in inglese per bambini 24 dicembre 2020 by claudia adamo 8 comments in questa pagina puoi scaricare un bellissimo progetto di soft clil sui 5 sensi creato dai nostri teachers madrelingua

[i cinque sensi in inglese scuola primaria archivi jack potato](#) - Nov 25 2022

web un clil di scienze sui cinque sensi è la proposta jack potato di oggi consiste in una raccolta di 5 schede da utilizzare come supporto per condurre più lezioni di scienze in lingua inglese suddivise in vista udito olfatto tatto e gusto

usiamo i 5 sensi anzi 6 per insegnare l'inglese ai bambini buzzy english - Jul 02 2023

web mar 20 2019 usiamo i cinque sensi per imparare l'inglese meglio ancora avviciniamo l'inglese ai bambini coinvolgendo i loro cinque sensi così che il bambino possa vedere e leggere vista udire udito pronunciare gusto toccare tatto e perché no odorare le parole e le frasi della lingua inglese una follia davvero

i cinque sensi in inglese kidsandus - Aug 03 2023

web mar 24 2022 per imparare l'inglese con i cinque sensi e tutto il vocabolario relativo non c'è niente di meglio che utilizzare per l'appunto i cinque sensi vogliamo quindi proporvi giochi e attività che vi aiuteranno ad attivare tutti i sensi e metterli al servizio dell'apprendimento dell'inglese

[alla scoperta dei 5 sensi asilonidolacasadellefate it](#) - Sep 23 2022

web alla scoperta dei 5 sensi il bambino non impara ma costruisce il suo sapere attraverso l'esperienza e le relazioni con l'ambiente che lo circonda maria montessori premessa il progetto sensoriale nasce dal desiderio di accompagnare i bambini alla scoperta dei cinque sensi con l'intento di favorire sia l'acquisizione di

[i cinque sensi schede didattiche per la classe prima](#) - May 20 2022

web apr 15 2019 pdf schede didattiche sui cinque sensi schede didattiche da stampare singolarmente grazie alla galleria che segue potrete invece stampare i singoli esercizi scegliendo soltanto quelli di vostro interesse tra i diversi proposti

[schede didattiche inglese scuola infanzia cinque sensi](#) - Jul 22 2022

web schede didattiche inglese scuola infanzia cinque sensi buone pratiche nella scuola e suggerisce risorse e materiali presenti in rete ed utili per la didattica schede e attività di scienze maestrassabry april 30th 2018 schede e attività di scienze per la scuola primaria noidellalampedusa april 27th 2018 il saluto del dirigente scolastico

i cinque sensi le schede fantavolando - Mar 30 2023

web bambini della scuola dell'infanzia 5 anni bambini della scuola primaria classe prima questa attività favorisce la conoscenza dei cinque sensi materiale occorrente fogli a4 pastelli procediamo come segue leggiamo le consegne e invitiamo i bambini a completare le schede didattiche

[schede didattiche inglese scuola infanzia cinque sensi](#) - Jan 28 2023

web schede didattiche inglese scuola infanzia cinque sensi insegnamento nelle primarie e all'infanzia ente accreditato e qualificato che offre formazione al personale della scuola d m 177 2000 direttiva n 90 del 2003 confluite nella direttiva 170 del 21 03 2016 gli ebook raccolgono le nostre schede didattiche insieme ai link alle migliori risorse

schede didattiche inglese scuola infanzia cinque sensi pdf - Feb 26 2023

web schede didattiche inglese scuola infanzia cinque sensi quale futuro per la scuola pubblica jan 03 2021 la professione dell'insegnante è senza dubbio una delle esperienze più stimolanti il solo avere consapevolezza che il tuo rapporto col bambino o con il ragazzo avrà comunque una qualche influenza

schede didattiche inglese scuola infanzia cinque sensi - Apr 18 2022

web schede e attività di scienze maestrasabry home euroedizioni it ebook wikipedia ciao bambini i cinque sensi olfatto tatto udito vista ciao bambini i cinque sensi la vista ciaomaestra com esempi di nomi astratti e concreti online kptm edu my 6 57

schede didattiche di inglese pianetabambini it - Jun 20 2022

web dec 14 2022 tante schede didattiche di inglese per bambini della scuola dell'infanzia e di tutte le classi della scuola primaria in pdf pronte da stampare gratis didattica accoglienza

la maestra linda i 5 sensi blogger - Apr 30 2023

web pregrafismi numeri primi giorni di scuola i 5 sensi i numeri da 1 a 9 i 4 elementi educazione stradale cappuccetto rosso benvenuti e bentornati alla scuola dell'infanzia bentornata estate striscione accoglienza e primi giorni di scuola

imparare i cinque sensi in modo divertente a scuola con agnes - Oct 25 2022

web la raccolta di schede sui cinque sensi include giochi interattivi che rendono l'apprendimento dei 5 sensi divertente ed allo stesso tempo facile per i bambini all'interno delle schede potrai trovare esercizi che comprendono tatto vista olfatto udito e gusto

attività in inglese sui cinque sensi il blog dell'inglese per i bambini - Jun 01 2023

web feb 23 2015 1 nominare i sensi in modo corretto i bambini conoscono i nomi corretti dei sensi in italiano li sanno distinguere per aiutarci in questa prima fase possiamo utilizzare un poster che illustra i sensi con una grafica chiara e adatta ai bambini

schede didattiche inglese scuola infanzia cinque sensi - Feb 14 2022

web schede didattiche inglese scuola infanzia cinque sensi allegretti ciao bambini i cinque sensi olfatto tatto udito vista april

30th 2018 i cinque sensi schede didattiche e risorse dal web per la classe 1 della scuola primaria e la scuola dell'infanzia
nomi sensi pdf senso vista pdf senso tatto pdf senso olfatto pdf

schede didattiche inglese scuola primaria scarica pdf riscrivibili - Dec 27 2022

web qui potete scaricare la scheda inerenti i numeri in inglese per bambini della scuola di infanzia e primaria si tratta di una raccolta di schede in pdf nelle quali potete trovare esercizi sui singolari plurali esercizi di matching numero scritto in cifre nome del numero e esercizi per praticare lo spelling dei nomi dei numeri che sono tricky words e quindi

alcatuiti propozitii in care cuvintele lac ia toc sa aibe sensuri - Feb 01 2022

nov 9 2014 alcatuiti propozitii in care cuvintele lac ia toc sa aibe sensuri diferite 299975 gheorghegina gheorghegina 09 11 2014 limba română Școala primară clasele i iv a fost răspuns verificat de expert ajută l și explică înțelesurile cuvintelor evidențiate prin culoare cetatea cuvintelor luna lui florar dragă spiridușule am

l a c conomie symbiotique ra c ga c na c rer la p pdf - Apr 15 2023

currently this l a c conomie symbiotique ra c ga c na c rer la p pdf as one of the most working sellers here will enormously be accompanied by the best options to review introduction a l a c conomie de la santa c 2e a c pdf web 2023 web l a c conomie symbiotique ra c ga c na c rer la p pdf is available in our book collection an

lecture téléchargement l Ã conomie symbiotique rÃ gÃ nÃ rer la - Sep 08 2022

l Ã conomie symbiotique rÃ gÃ nÃ rer la planÃ te l Ã conomie et la sociÃ tÃ télécharger ebook pdf epub livre en langue anglaise télécharger titre au format pdf titre télécharger gratuitement du livre au format pdf

synonyme là comme c était convenu reverso - May 04 2022

traduction là comme c était convenu dans le dictionnaire français français de reverso voir aussi battre comme plâtre comme ci comme ça comme d habitude comme d ordinaire conjugaison expressions idiomatiques

l a c conomie symbiotique ra c ga c na c rer la p atilla - Dec 11 2022

l a c conomie symbiotique ra c ga c na c rer la p 2 downloaded from donate pfi org on 2022 01 15 by guest thoughts on unconventional computing andrew adamatzky 2021 02 28 there is no strict definition of unconventional computing

llc kısaltması ne demek açılımı anlamı nedir - Apr 03 2022

llc türkçe İngilizce ve almancada ne demek llc anlamı nedir llc açılımı kısaltmalar sözlüğünde what does llc stand for limited liability company

where to download l a c conomie symbiotique ra c ga c na c rer la p - Aug 07 2022

aug 1 2023 c conomie symbiotique ra c ga c na c rer la p as a result simple getting the books l a c conomie symbiotique ra c ga c na c rer la p now is not type of inspiring means you could not on your own going bearing in mind books store or library or borrowing from your contacts to contact them this is an categorically easy means to specifically get

[l a c conomie symbiotique ra c ga c na c rer la p pdf](#) - Sep 20 2023

mar 29 2023 l a c conomie symbiotique ra c ga c na c rer la p 2 11 downloaded from uniport edu ng on march 29 2023 by guest years work to address some of the most challenging issues raised in the first icomos iau thematic study published in 2010 these include the recognition and preservation of the value of dark skies at both cultural and natural sites and

[l a c conomie symbiotique ra c ga c na c rer la p](#) - May 16 2023

l a c conomie symbiotique ra c ga c na c rer la p 1 10 downloaded from uniport edu ng on april 6 2023 by guest l a c conomie symbiotique ra c ga c na c rer la p eventually you will definitely discover a supplementary experience and skill by spending more cash still when get you recognize that you require to get

[l a c conomie symbiotique ra c ga c na c rer la p pdf](#) - Oct 09 2022

l a c conomie symbiotique ra c ga c na c rer la p pdf upload dona g robertson 1 2 downloaded from ieducar jaciara mt gov br on february 23 2023 by dona g robertson l a c conomie symbiotique ra c ga c na c rer la p pdf is available in our book collection an online access to it is set as public so you can get it instantly

[l a c conomie symbiotique ra c ga c na c rer la p pdf](#) - Jun 17 2023

apr 24 2023 l a c conomie symbiotique ra c ga c na c rer la p 2 8 downloaded from uniport edu ng on april 24 2023 by guest multiple interactive forces theygive rise to a number of paradoxes that impact the functional and developmental characteristics of firms this book offers for the first time an in depth study of the logical

[l a c conomie symbiotique ra c ga c na c rer la p](#) - Feb 13 2023

l a c conomie symbiotique ra c ga c na c rer la p getting the books l a c conomie symbiotique ra c ga c na c rer la p now is not type of inspiring means you could not on your own going once ebook increase or library or borrowing from your contacts to admittance them this is an unquestionably simple means to specifically get guide by on line

l a c conomie symbiotique ra c ga c na c rer la p pdf - Jul 18 2023

l a c conomie symbiotique ra c ga c na c rer la p 2 9 downloaded from uniport edu ng on october 9 2023 by guest the context of weak governance and expanding commercial pressures over forests findings are grouped into two thematic areas decentralization livelihoods and sustainable forest management and international trade

[l a c conomie symbiotique ra c ga c na c rer la p pdf](#) - Aug 19 2023

oct 2 2023 ease as review l a c conomie symbiotique ra c ga c na c rer la p what you following to read heritage sites of astronomy and archaeoastronomy in the context of the unesco world heritage convention clive l n ruggles 2017 11 30 this joint venture between icomos the advisory body to unesco on cultural sites and the

[l a c conomie symbiotique ra c ga c na c rer la p pdf 2023](#) - Nov 10 2022

mar 9 2023 l a c conomie symbiotique ra c ga c na c rer la p pdf when somebody should go to the ebook stores search

inauguration by shop shelf by shelf it is in reality problematic if you target to download and install the l a c conomie symbiotique ra c ga c na c rer la p pdf it is unquestionably simple then since currently we extend the link to [l a c conomie symbiotique ra c ga c na c rer la p samuel](#) - Jul 06 2022

pretentiousness to acquire those all we pay for l a c conomie symbiotique ra c ga c na c rer la p and numerous ebook collections from fictions to scientific research in any way among them is this l a c conomie symbiotique ra c ga c na c rer la p that can be your partner shadowrun anarchy catalyst game labs 2016 11 30 shadowrun remains one of

l économie symbiotique régénérer la planète l économie la - Jan 12 2023

l économie symbiotique régénérer la planète l économie la société domaine du possible by isabelle delannoy dans le monde réinscrivant les activités humaines dans les grands cycles de la planète couplant leur productivité à la régénération

llc nedir açılımı ne demek llc türkçesi nedir milliyet - Mar 02 2022

feb 24 2022 llc nedir ve açılımı ne demek llc kelimesi anlam bakımından İngilizce olarak kullanılmaktadır limited liability company olarak bilinen bu kısaltmanın türkçe kullanımını da merak

[animali con la c](#) - Jun 05 2022

animali che iniziano per la lettera c cacatua è un grosso pappagallo bianco gradevole nell aspetto caimano è un alligatore che vive in centro e sud america lungo fino a due metri e mezzo calabrone è il vespe europeo più grosso nei confronti dell uomo è indifferente risultando meno pericoloso delle vespe comuni ma se infastidito può diventare piuttosto

l a c conomie symbiotique ra c ga c na c rer la p - Mar 14 2023

l a c conomie symbiotique ra c ga c na c rer la p recognizing the habit ways to get this books l a c conomie symbiotique ra c ga c na c rer la p is additionally useful you have remained in right site to begin getting this info acquire the l a c conomie symbiotique ra c ga c na c rer la p connect that we manage to pay for here and check out