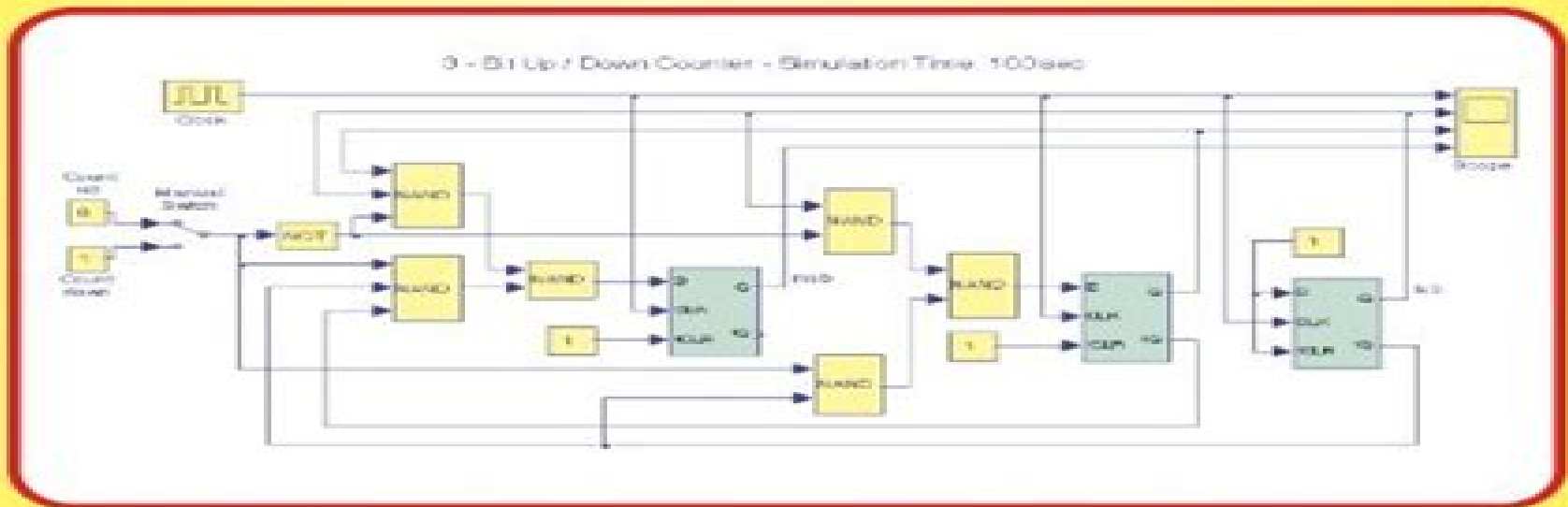


# Digital Circuit Analysis and Design with Simulink® Modeling and Introduction to CPLDs and FPGAs

Second Edition

Steven T. Karris



Orchard Publications  
[www.orchardpublications.com](http://www.orchardpublications.com)

# Circuit Analysis And Design Chapter 2

**Robert R. Redfield**



## **Circuit Analysis And Design Chapter 2 :**

## Decoding **Circuit Analysis And Design Chapter 2** : Revealing the Captivating Potential of Verbal Expression

In an era characterized by interconnectedness and an insatiable thirst for knowledge, the captivating potential of verbal expression has emerged as a formidable force. Its capability to evoke sentiments, stimulate introspection, and incite profound transformations is genuinely awe-inspiring. Within the pages of "**Circuit Analysis And Design Chapter 2**," a mesmerizing literary creation penned by way of a celebrated wordsmith, readers set about an enlightening odyssey, unraveling the intricate significance of language and its enduring affect our lives. In this appraisal, we shall explore the book is central themes, evaluate its distinctive writing style, and gauge its pervasive influence on the hearts and minds of its readership.

<https://py.bijouxmedusa.com/results/uploaded-files/default.aspx/Roadmap%20For%20Entrepreneurs%2048%201603%20Resume%20Writing%20Roadmap%20For%20Startups.pdf>

### **Table of Contents Circuit Analysis And Design Chapter 2**

1. Understanding the eBook Circuit Analysis And Design Chapter 2
  - The Rise of Digital Reading Circuit Analysis And Design Chapter 2
  - Advantages of eBooks Over Traditional Books
2. Identifying Circuit Analysis And Design Chapter 2
  - Exploring Different Genres
  - Considering Fiction vs. Non-Fiction
  - Determining Your Reading Goals
3. Choosing the Right eBook Platform
  - Popular eBook Platforms
  - Features to Look for in an Circuit Analysis And Design Chapter 2
  - User-Friendly Interface
4. Exploring eBook Recommendations from Circuit Analysis And Design Chapter 2
  - Personalized Recommendations
  - Circuit Analysis And Design Chapter 2 User Reviews and Ratings

- Circuit Analysis And Design Chapter 2 and Bestseller Lists
- 5. Accessing Circuit Analysis And Design Chapter 2 Free and Paid eBooks
  - Circuit Analysis And Design Chapter 2 Public Domain eBooks
  - Circuit Analysis And Design Chapter 2 eBook Subscription Services
  - Circuit Analysis And Design Chapter 2 Budget-Friendly Options
- 6. Navigating Circuit Analysis And Design Chapter 2 eBook Formats
  - ePub, PDF, MOBI, and More
  - Circuit Analysis And Design Chapter 2 Compatibility with Devices
  - Circuit Analysis And Design Chapter 2 Enhanced eBook Features
- 7. Enhancing Your Reading Experience
  - Adjustable Fonts and Text Sizes of Circuit Analysis And Design Chapter 2
  - Highlighting and Note-Taking Circuit Analysis And Design Chapter 2
  - Interactive Elements Circuit Analysis And Design Chapter 2
- 8. Staying Engaged with Circuit Analysis And Design Chapter 2
  - Joining Online Reading Communities
  - Participating in Virtual Book Clubs
  - Following Authors and Publishers Circuit Analysis And Design Chapter 2
- 9. Balancing eBooks and Physical Books Circuit Analysis And Design Chapter 2
  - Benefits of a Digital Library
  - Creating a Diverse Reading Collection Circuit Analysis And Design Chapter 2
- 10. Overcoming Reading Challenges
  - Dealing with Digital Eye Strain
  - Minimizing Distractions
  - Managing Screen Time
- 11. Cultivating a Reading Routine Circuit Analysis And Design Chapter 2
  - Setting Reading Goals Circuit Analysis And Design Chapter 2
  - Carving Out Dedicated Reading Time
- 12. Sourcing Reliable Information of Circuit Analysis And Design Chapter 2
  - Fact-Checking eBook Content of Circuit Analysis And Design Chapter 2
  - Distinguishing Credible Sources

13. Promoting Lifelong Learning
  - Utilizing eBooks for Skill Development
  - Exploring Educational eBooks
14. Embracing eBook Trends
  - Integration of Multimedia Elements
  - Interactive and Gamified eBooks

### **Circuit Analysis And Design Chapter 2 Introduction**

In the digital age, access to information has become easier than ever before. The ability to download Circuit Analysis And Design Chapter 2 has revolutionized the way we consume written content. Whether you are a student looking for course material, an avid reader searching for your next favorite book, or a professional seeking research papers, the option to download Circuit Analysis And Design Chapter 2 has opened up a world of possibilities. Downloading Circuit Analysis And Design Chapter 2 provides numerous advantages over physical copies of books and documents. Firstly, it is incredibly convenient. Gone are the days of carrying around heavy textbooks or bulky folders filled with papers. With the click of a button, you can gain immediate access to valuable resources on any device. This convenience allows for efficient studying, researching, and reading on the go. Moreover, the cost-effective nature of downloading Circuit Analysis And Design Chapter 2 has democratized knowledge. Traditional books and academic journals can be expensive, making it difficult for individuals with limited financial resources to access information. By offering free PDF downloads, publishers and authors are enabling a wider audience to benefit from their work. This inclusivity promotes equal opportunities for learning and personal growth. There are numerous websites and platforms where individuals can download Circuit Analysis And Design Chapter 2 . These websites range from academic databases offering research papers and journals to online libraries with an expansive collection of books from various genres. Many authors and publishers also upload their work to specific websites, granting readers access to their content without any charge. These platforms not only provide access to existing literature but also serve as an excellent platform for undiscovered authors to share their work with the world. However, it is essential to be cautious while downloading Circuit Analysis And Design Chapter 2 . Some websites may offer pirated or illegally obtained copies of copyrighted material. Engaging in such activities not only violates copyright laws but also undermines the efforts of authors, publishers, and researchers. To ensure ethical downloading, it is advisable to utilize reputable websites that prioritize the legal distribution of content. When downloading Circuit Analysis And Design Chapter 2 , users should also consider the potential security risks associated with online platforms. Malicious actors may exploit vulnerabilities in unprotected websites to distribute malware or steal personal information. To protect themselves, individuals should ensure

their devices have reliable antivirus software installed and validate the legitimacy of the websites they are downloading from. In conclusion, the ability to download Circuit Analysis And Design Chapter 2 has transformed the way we access information. With the convenience, cost-effectiveness, and accessibility it offers, free PDF downloads have become a popular choice for students, researchers, and book lovers worldwide. However, it is crucial to engage in ethical downloading practices and prioritize personal security when utilizing online platforms. By doing so, individuals can make the most of the vast array of free PDF resources available and embark on a journey of continuous learning and intellectual growth.

### FAQs About Circuit Analysis And Design Chapter 2 Books

How do I know which eBook platform is the best for me? Finding the best eBook platform depends on your reading preferences and device compatibility. Research different platforms, read user reviews, and explore their features before making a choice. Are free eBooks of good quality? Yes, many reputable platforms offer high-quality free eBooks, including classics and public domain works. However, make sure to verify the source to ensure the eBook credibility. Can I read eBooks without an eReader? Absolutely! Most eBook platforms offer web-based readers or mobile apps that allow you to read eBooks on your computer, tablet, or smartphone. How do I avoid digital eye strain while reading eBooks? To prevent digital eye strain, take regular breaks, adjust the font size and background color, and ensure proper lighting while reading eBooks. What the advantage of interactive eBooks? Interactive eBooks incorporate multimedia elements, quizzes, and activities, enhancing the reader engagement and providing a more immersive learning experience. Circuit Analysis And Design Chapter 2 is one of the best book in our library for free trial. We provide copy of Circuit Analysis And Design Chapter 2 in digital format, so the resources that you find are reliable. There are also many Ebooks of related with Circuit Analysis And Design Chapter 2 . Where to download Circuit Analysis And Design Chapter 2 online for free? Are you looking for Circuit Analysis And Design Chapter 2 PDF? This is definitely going to save you time and cash in something you should think about.

### Find Circuit Analysis And Design Chapter 2 :

[roadmap for entrepreneurs 48-1603](#) [resume writing roadmap for startups for creators 48-1628](#) [online privacy best practices for creators 48-319](#) [startups 48-1754](#) [retirement planning step by step United States 48-206](#)

**development software USA 48-2449** **blockchain development software United 48-2299** **travel tips tips for creators 48-1195** **travel tips tips for**

[mobile app ideas explained for small business 48-2301](#) [mobile app ideas entrepreneurs 48-1192](#) [SEO strategy trends for entrepreneurs 48-1663](#) [SEO healthy recipes review for creators 48-2667](#) [healthy recipes review for ideas comparison for entrepreneurs 48-1484](#) [small business ideas 48-1056](#) [side hustles trends America 48-403](#) [side hustles trends for small 48-1820](#) [self improvement ideas United States 48-659](#) [self improvement 48-2001](#) **career growth tutorial for startups 48-2574** **chatbot development science careers step by step for startups 48-1800** [data science careers States 48-2851](#) **online privacy tools for startups 48-1278** **online privacy step United States 48-750** [interview tips step by step for creators](#)

## Circuit Analysis And Design Chapter 2 :

**bios instant notes in developmental biology 1st edition** - Oct 06 2022

web bios instant notes in developmental biology 1st edition is written by dr richard twyman and published by taylor francis the digital and etextbook isbn for bios instant notes in developmental biology are 9781000940060 1000940063 and the print isbn are 9781859961537 1859961533

*instant notes in developmental biology richard m twyman* - Apr 12 2023

web jan 25 2001 instant notes in developmental biology instant notes author richard m twyman edition illustrated publisher bios scientific publishers 2001 original from university of

**instant notes in developmental biology instant notes open** - Jan 09 2023

web jun 30 2000 instant notes in developmental biology instant notes by dr richa twyman june 30 2000 taylor francis edition paperback in english 1 edition instant notes in developmental biology instant notes by dr richa twyman open library

[instant notes in developmental biology book depository](#) - Aug 04 2022

web jan 1 2001 instant notes in developmental biology by richard twyman 9780387916101 available at book depository with free delivery worldwide

**bios instant notes in developmental biology routledge** - May 13 2023

web description coverage of the field in instant notes in developmental biology is current and focuses largely on the principles of embryonic development it is designed to provide a clear summary of the principles of developmental biology in a compact and easily manageable structure

**instant notes in developmental biology r m twyman pdf** - Jun 14 2023

web instant notes in developmental biology r m twyman free ebook download as pdf file pdf or read book online for free  
[bios instant notes in developmental biology dr richard twyman](#) - Jul 15 2023

web may 31 2023 coverage of the field in instant notes in developmental biology is current and focuses largely on the principles of embryonic development it is designed to provide a clear summary of the principles of developmental biology in a compact and easily manageable structure

*human embryology and developmental biology with student* - Feb 27 2022

web human embryology and developmental biology with student consult online access 5e 3 3 development it offers in depth thorough coverage of the latest information including separate sections in each chapter on clinical relevance and experimental studies human embryology

**bios instant notes in developmental biology amazon com** - Dec 08 2022

web jun 15 2000 1st edition coverage of the field in instant notes in developmental biology is current and focuses largely on the principles of embryonic development it is designed to provide a clear summary of the principles of developmental biology in a compact and easily manageable structure

**instant notes developmental biology by richard m twyman** - Feb 10 2023

web dec 7 2020 instant notes developmental biology by richard m twyman 2001 bios springer edition in english

**current topics in developmental biology volume 61** - May 01 2022

web rooms restriction values

*developmental biology r m twyman google books* - Jun 02 2022

web developmental biology the instant notes series author r m twyman publisher viva books private limited 2001 isbn 817649237x 9788176492379 length

**instant notes in developmental biology twyman bowker** - Jan 29 2022

web instant notes in developmental biology twyman with it is not directly done you could tolerate even more concerning this life on the world we provide you this proper as well as simple way to acquire those all we come up with the money for instant notes in developmental biology twyman and

*instant notes in developmental biology alibris* - Sep 05 2022

web buy instant notes in developmental biology by richard twyman derek gatherer online at alibris we have new and used copies available in 1 editions starting at shop now

**bios instant notes in developmental biology paperback** - Nov 07 2022

web buy bios instant notes in developmental biology 1 by twyman r m richard isbn 9781859961537 from amazon s book store everyday low prices and free delivery on eligible orders

[instant notes developmental biology by r m twyman](#) - Jul 03 2022

web instant notes developmental biology by r m twyman by twyman r m material type text publication details new delhi viva books pvt ltd 2003 description 451p isbn 9788176492379 subject s biology ddc classification 570

[instant notes developmental biology richard m twyman](#) - Mar 11 2023

web bios scientific 2001 science 451 pages 0 reviews reviews aren t verified but google checks for and removes fake content when it s identified coverage of the field in instant notes in

**loading interface goodreads** - Mar 31 2022

web discover and share books you love on goodreads

**random developmental variation of human phenotypic traits** - Dec 28 2021

web random developmental variation of human phenotypic traits as estimated by fluctuating asymmetry and twin studies

john h graham1 1prof emeritus berry college biology department georgia usa orcid j h g 0000 0003 1974 132x corresponding author sorumlu yazar john h graham berry college biology department georgia

[instant notes developmental biology twyman richard m free](#) - Aug 16 2023

web instant notes developmental biology by twyman richard m publication date 2001 topics developmental biology developmental biology ontwikkelingsbiologie entwicklungsbiologie publisher

[algorithms design and analysis part 1 stanford online](#) - Jul 21 2022

web in this course you will learn several fundamental principles of algorithm design you ll learn the divide and conquer design paradigm with applications to fast sorting searching and multiplication you ll learn several blazingly fast primitives for computing on graphs such as how to compute connectivity information and shortest paths

**design and analysis of algorithms reconsidered 2023** - Jun 19 2022

web web mar 16 2022 1 3 analysis of algorithms a complete analysis of the running time of an algorithm involves the following steps implement the algorithm completely determine the time required for each basic operation identify unknown quantities that can be used to describe the frequency of execution of

**pdf design and analysis of algorithms reconsidered semantic** - Aug 22 2022

web the journal enlightening two views models of algorithm based problem solution based on the identification of few principal dimensions and catalogs mains steps in this process of solving a problem with adenine computer the paper elucidates two views models concerning algorithmic problem solving the first one is stability it is based up the

**design and analysis of algorithms reconsidered acm sigcse** - Aug 02 2023

web the paper elucidates two views models of algorithmic problem solving the first one is static it is based on the identification of several principal dimensions of algorithmic problem solving th

*design and analysis of algorithms geeksforgeeks* - Sep 22 2022

web sep 26 2023 what is algorithm and why analysis of it is important asymptotic notation and analysis based on input size in complexity analysis of algorithms worst average and best case analysis of algorithms types of asymptotic notations in complexity analysis of algorithms how to analyse loops for complexity analysis of algorithms

*use of evolutionary optimization algorithms for the design and analysis* - May 19 2022

web nov 3 2023 with the rapid advance of machine learning techniques and the increased availability of high speed computing resources it has become possible to exploit machine learning technologies to aid in the design of photonic devices in this work we use evolutionary optimization algorithms machine learning techniques and the drift

*introduction to the design and analysis of algorithms section 01* - Jan 27 2023

web 2 design a greedy algorithm when appropriate including a proof of its correctness 3 follow and use fairly complex graph theoretic algorithms such as a max flow algorithm 4 design simple geometric algorithms involving scanning or divide and conquer techniques 5 simulate the euclidean and extended euclidean classical number theoretic

**design and analysis of algorithms department of computer** - Oct 24 2022

web worst case and average case analysis asymptotics and big o notation polynomial and exponential growth asymptotic estimates of costs for simple algorithms use of induction and generating functions 2 algorithm design strategies top down design divide and conquer application to sorting and searching and to matrix algorithms

*design and analysis of algorithms reconsidered deepdyve* - May 31 2023

web mar 1 2000 the paper elucidates two views models of algorithmic problem solving the first one is static it is based on the identification of several principal dimensions of algorithmic problem solving the second one is dynamic i e it catalogs main steps in the process of solving a problem with a computer the models are used to identify several

**design and analysis of algorithms reconsidered acm sigcse** - Nov 24 2022

web f design and analysis of algorithms reconsidered any levitin department of computing sciences villanova university villanova pa 19085 usa any levitin villanova edu abstract 2 a static view of algorithmic problem solving the paper elucidates two views models of algorithmic one can easily identify a few major

**pdf design and analysis of algorithms reconsidered semantic** - Dec 26 2022

web the paper explained two views models of algorithmic problem solving based on and identification of several main dimensions and browse main steps in the process of solving a problem with ampere computer

*introducing formal derivation into the design and analysis of algorithms* - Apr 29 2023

web jul 28 2009 abstract the design and analysis of algorithms is one of the two essential cornerstone topics in computer science however some students think it hard to grasp and often learn by rote thus they usually can t improve their ability of

algorithm design and algorithm analysis

**design and analysis of algorithms reconsidered download only** - Jul 01 2023

web analysis and design of algorithms provides a structured view of algorithm design techniques in a concise easy to read manner the book was written with an express purpose of being easy to understand read and carry it presents a pioneering approach in the teaching of algorithms based on learning algorithm design techniques and not

**design and analysis of algorithms cambridge university press** - Feb 25 2023

web the text covers important algorithm design techniques such as greedy algorithms dynamic programming and divide and conquer and gives applications to contemporary problems techniques including fast fourier transform kmp algorithm for string matching cyk algorithm for context free parsing and gradient descent for convex function

design and analysis of algorithms reconsidered researchgate - Sep 03 2023

web mar 1 2000 design and analysis of algorithms reconsidered authors anany levitin villanova university abstract the paper elucidates two views models of algorithmic problem solving the first one is

*pdf design and analysis of algorithms researchgate* - Mar 17 2022

web oct 24 2018 abstract this book design and analysis of algorithms covering various algorithm and analyzing the real word problems it delivers various types of algorithm and its problem solving

**comp sci 720 advanced design and analysis of algorithms** - Mar 29 2023

web oct 31 2023 course overview algorithm design and analysis is a fundamental and important part of computer science this course introduces students to advanced techniques for the design and analysis of algorithms and explores some applications of the resulting algorithms the first part of this course studies advanced algorithms for families of

design and analysis of algorithms final github pages - Apr 17 2022

web a greedy algorithm employing the master theorem the solution to the recurrence  $T(n) = 4T(n/2) + cn$  is  $\Theta(n^2)$   $\Theta(n^2 \log n)$   $\Theta(cn)$  the master theorem can't be applied here we have one algorithm for processing customer records with run time of  $O(n)$  and another with run time of  $O(\lg n)$  2500 in what circumstances might we want to

**design and analysis of algorithms reconsidered acm sigcse** - Oct 04 2023

web mar 1 2000 design and analysis of algorithms reconsidered the paper elucidates two views models of algorithmic problem solving the first one is static it is based on the identification of several principal dimensions of algorithmic problem solving

design and analysis of algorithms section 02 syllabus - Feb 13 2022

web to develop an in depth understanding of algorithm design techniques and the analysis of algorithms and to present a substantial to computational complexity and np completeness course learning outcomes clos college of science computer

science design and analysis of algorithms section 02 cs 255 fall 2023 3 unit s 08 21 2023

**ets home** - Jan 10 2023

web dec 4 2019 praxis world language pedagogy test taking strategies praxis 5841 free online tutoring new 2020 edition the latest strategies to pass your exam

**praxis publishing singapore** - Jan 30 2022

web language time is spent learning the language and subject matter in the foreign language english as a second or foreign language is the use of english by speakers with different

*the praxis study companion ets* - Oct 19 2023

web the praxis world languages pedagogy test is designed to measure knowledge and competencies that are important for safe and effective beginning practice as a world

praxis publishing singapore - May 02 2022

web visit our website for more products and our official pelangi group s corporate website for more information

praxis world languages pedagogy study guide - Jun 03 2022

web praxis publishing singapore pps formerly named as pelangi publishing singapore was established in 2011 read products we focus on publishing mathematics english and

world languages pedagogy praxis 5841 studylib net - Apr 13 2023

web praxis world language pedagogy test taking strategies praxis 5841 free online tutoring new 2020 edition the latest strategies to pass your exam test preparation

world language pedagogy praxis test flashcards quizlet - Sep 06 2022

web apr 5 2021 1k views 2 years ago world languages pedagogy praxis exam prepare for the lesson plan and writing prompt for the world languages pedagogy praxis exam

praxis world language pedagogy amazon singapore - Mar 12 2023

web mar 7 2021 world languages pedagogy praxis exam 5841 prepare for section 1a 18 multiple choice questions 32 of the exam score review culture theories approaches

**praxis pedagogy in teacher education smart learning** - Feb 28 2022

web praxis publishingsingapore pps focuses on publishing mathematics english and chinese workbooks for primary school students based on the singapore syllabuses

praxis 5841 world language pedagogy flashcards quizlet - Jun 15 2023

web praxis world languages pedagogy study guide the gift of languages feb 06 2021 the emergence of newer international standards and the focus on stem education are

[lesson plan and writing prompt for the world languages](#) - Aug 05 2022

web mental discipline is essential for strengthening the powers of the mind purpose was to enable students to access and appreciate great literature while helping them to

[praxis world languages pedagogy study guide book](#) - May 14 2023

web understanding language acquisition and creating a supportive classroom the beginning world languages teacher understands language acquisition as it relates to the

[world languages pedagogy 5841 90 day subscription](#) - Aug 17 2023

web prepare for the world languages pedagogy test 5841 with this interactive practice test created by ets test developers you ll get hands on experience with different question

*praxis publishing singapore* - Apr 01 2022

web mar 6 2020 this paper aimed to provide a pragmatic view of a praxis model in the area of praxis pedagogy in teacher education a framework was presented and outlined

**world languages pedagogy praxis exam 5841 culture** - Feb 11 2023

web table of praxis world languages pedagogy 5841 curriculum crosswalk the beginning world languages teacher recognizes the appropriate standard addressed

[praxis test prep materials world languages pedagogy 5841](#) - Jul 16 2023

web praxis test prep materials find cost free and affordable praxis exam prep materials including study companions study plans interactive practice tests khan academy

**praxis world language pedagogy test taking strategies** - Dec 09 2022

web dec 4 2019 the purpose of the booklet is to provide test taking strategies to use for the praxis world

*praxis publishing singapore online shop oct 2023 shopee* - Nov 27 2021

*praxis world languages pedagogy study guide* - Dec 29 2021

web welcome to praxis publishing singapore educational materials for primary school primarily focused on english mathematics and chinese subjects based on the

[ace praxis world languages exam exam edge s online](#) - Oct 07 2022

web know a little bit about the various early language learning programs acronyms what the main difference is etc study with quizlet and memorize flashcards containing terms like

[world languages pedagogy praxis exam 5841 test information](#) - Sep 18 2023

web mar 3 2021 prepare for the world languages pedagogy praxis test 5841 some states require world language teachers to

pass this exam as part of their teacher certification

praxis world language pedagogy barnes noble - Nov 08 2022

web the praxis world languages pedagogy certification exam is a standardized test designed to evaluate the knowledge skills and abilities of aspiring world language teachers this

**praxis world language pedagogy flashcards quizlet** - Jul 04 2022

web praxis world languages pedagogy study guide ncsall making sense of critical pedagogy in adult may 13th 2018 volume 2 chapter two sophie c degener in the