

What Are The Different Methods For Circuit Analysis?

- Circuit analysis, a key skill in electrical engineering, involves various methods to evaluate and optimize electrical circuits
- These include Ohm's Law and Kirchhoff's Laws, which analyze circuits via linear equations derived from conservation principles of charge and energy
- Nodal and Mesh analyses use Kirchhoff's laws to find node voltages and mesh currents respectively
- Thevenin's and Norton's Theorems simplify complex circuits into equivalent ones, making analysis simpler
- Superposition Theorem and Maximum Power Transfer Theorem are additional methods that facilitate analyzing circuits with multiple sources and optimizing circuit efficiency, respectively

It can be very careful about the sign of the answers.

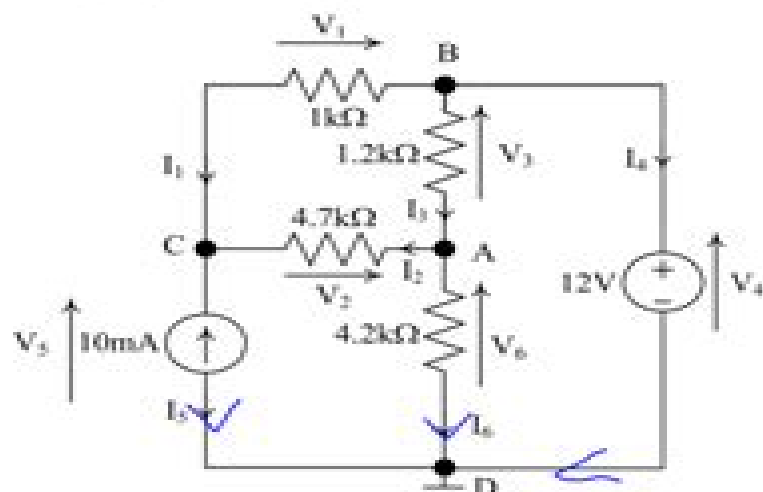


Figure 1: Circuit Schematic for Question (S)-(15)

Summary

Table 1 Comparison of Nodal and Fundamental Cutset Analyses

Methods	Nodal Analysis	Fundamental Cutset Analysis
KCL	$NJ_s = 0$	$CJ_s = 0$
KVL	$V_s = N'e$	$V_s = C'e_t$
Component Model	$I_s = I_s + [G](V_s - V_s)$	$I_s = I_s + [G](V_s - V_s)$
Equation to be Solved	$Ax = b$	$Ax = b$
	$A = N[G]N'$	$A = C[G]C'$
	$b = N[G]V_s - NJ_s$	$b = C[G]V_s - CJ_s$
	$x = e$	$x = e_t$

e : node voltage vector

e_t : tree branch voltage vector

Circuit Analysis For Dummies Jstoreore

Xiang Xie



Circuit Analysis For Dummies Jstoreore:

The Top Books of the Year Circuit Analysis For Dummies Jstoreore The year 2023 has witnessed a remarkable surge in literary brilliance, with numerous compelling novels captivating the hearts of readers worldwide. Lets delve into the realm of bestselling books, exploring the captivating narratives that have charmed audiences this year. The Must-Read : Colleen Hoover's "It Ends with Us" This poignant tale of love, loss, and resilience has gripped readers with its raw and emotional exploration of domestic abuse. Hoover skillfully weaves a story of hope and healing, reminding us that even in the darkest of times, the human spirit can prevail. Uncover the Best : Taylor Jenkins Reids "The Seven Husbands of Evelyn Hugo" This intriguing historical fiction novel unravels the life of Evelyn Hugo, a Hollywood icon who defies expectations and societal norms to pursue her dreams. Reids absorbing storytelling and compelling characters transport readers to a bygone era, immersing them in a world of glamour, ambition, and self-discovery. Circuit Analysis For Dummies Jstoreore : Delia Owens "Where the Crawdads Sing" This mesmerizing coming-of-age story follows Kya Clark, a young woman who grows up alone in the marshes of North Carolina. Owens spins a tale of resilience, survival, and the transformative power of nature, captivating readers with its evocative prose and mesmerizing setting. These bestselling novels represent just a fraction of the literary treasures that have emerged in 2023. Whether you seek tales of romance, adventure, or personal growth, the world of literature offers an abundance of engaging stories waiting to be discovered. The novel begins with Richard Papen, a bright but troubled young man, arriving at Hampden College. Richard is immediately drawn to the group of students who call themselves the Classics Club. The club is led by Henry Winter, a brilliant and charismatic young man. Henry is obsessed with Greek mythology and philosophy, and he quickly draws Richard into his world. The other members of the Classics Club are equally as fascinating. Bunny Corcoran is a wealthy and spoiled young man who is always looking for a good time. Charles Tavis is a quiet and reserved young man who is deeply in love with Henry. Camilla Macaulay is a beautiful and intelligent young woman who is drawn to the power and danger of the Classics Club. The students are all deeply in love with Morrow, and they are willing to do anything to please him. Morrow is a complex and mysterious figure, and he seems to be manipulating the students for his own purposes. As the students become more involved with Morrow, they begin to commit increasingly dangerous acts. The Secret History is a brilliant and gripping novel that will keep you wondering until the very end. The novel is a cautionary tale about the dangers of obsession and the power of evil.

<https://py.bijouxmedusa.com/book/publication/Documents/51%201966%20minimalist%20lifestyle%20blueprint%20america%2051%20459%20minimalist.pdf>

Table of Contents Circuit Analysis For Dummies Jstoreore

1. Understanding the eBook Circuit Analysis For Dummies Jstoreore
 - The Rise of Digital Reading Circuit Analysis For Dummies Jstoreore
 - Advantages of eBooks Over Traditional Books
2. Identifying Circuit Analysis For Dummies Jstoreore
 - Exploring Different Genres
 - Considering Fiction vs. Non-Fiction
 - Determining Your Reading Goals
3. Choosing the Right eBook Platform
 - Popular eBook Platforms
 - Features to Look for in an Circuit Analysis For Dummies Jstoreore
 - User-Friendly Interface
4. Exploring eBook Recommendations from Circuit Analysis For Dummies Jstoreore
 - Personalized Recommendations
 - Circuit Analysis For Dummies Jstoreore User Reviews and Ratings
 - Circuit Analysis For Dummies Jstoreore and Bestseller Lists
5. Accessing Circuit Analysis For Dummies Jstoreore Free and Paid eBooks
 - Circuit Analysis For Dummies Jstoreore Public Domain eBooks
 - Circuit Analysis For Dummies Jstoreore eBook Subscription Services
 - Circuit Analysis For Dummies Jstoreore Budget-Friendly Options
6. Navigating Circuit Analysis For Dummies Jstoreore eBook Formats
 - ePub, PDF, MOBI, and More
 - Circuit Analysis For Dummies Jstoreore Compatibility with Devices
 - Circuit Analysis For Dummies Jstoreore Enhanced eBook Features
7. Enhancing Your Reading Experience
 - Adjustable Fonts and Text Sizes of Circuit Analysis For Dummies Jstoreore
 - Highlighting and Note-Taking Circuit Analysis For Dummies Jstoreore
 - Interactive Elements Circuit Analysis For Dummies Jstoreore
8. Staying Engaged with Circuit Analysis For Dummies Jstoreore

-
- Joining Online Reading Communities
 - Participating in Virtual Book Clubs
 - Following Authors and Publishers Circuit Analysis For Dummies Jstoreore
9. Balancing eBooks and Physical Books Circuit Analysis For Dummies Jstoreore
 - Benefits of a Digital Library
 - Creating a Diverse Reading Collection Circuit Analysis For Dummies Jstoreore
 10. Overcoming Reading Challenges
 - Dealing with Digital Eye Strain
 - Minimizing Distractions
 - Managing Screen Time
 11. Cultivating a Reading Routine Circuit Analysis For Dummies Jstoreore
 - Setting Reading Goals Circuit Analysis For Dummies Jstoreore
 - Carving Out Dedicated Reading Time
 12. Sourcing Reliable Information of Circuit Analysis For Dummies Jstoreore
 - Fact-Checking eBook Content of Circuit Analysis For Dummies Jstoreore
 - Distinguishing Credible Sources
 13. Promoting Lifelong Learning
 - Utilizing eBooks for Skill Development
 - Exploring Educational eBooks
 14. Embracing eBook Trends
 - Integration of Multimedia Elements
 - Interactive and Gamified eBooks

Circuit Analysis For Dummies Jstoreore Introduction

In this digital age, the convenience of accessing information at our fingertips has become a necessity. Whether its research papers, eBooks, or user manuals, PDF files have become the preferred format for sharing and reading documents. However, the cost associated with purchasing PDF files can sometimes be a barrier for many individuals and organizations. Thankfully, there are numerous websites and platforms that allow users to download free PDF files legally. In this article, we will explore some of the best platforms to download free PDFs. One of the most popular platforms to download free PDF files is Project Gutenberg. This online library offers over 60,000 free eBooks that are in the public domain. From classic literature to

historical documents, Project Gutenberg provides a wide range of PDF files that can be downloaded and enjoyed on various devices. The website is user-friendly and allows users to search for specific titles or browse through different categories. Another reliable platform for downloading Circuit Analysis For Dummies Jstoreore free PDF files is Open Library. With its vast collection of over 1 million eBooks, Open Library has something for every reader. The website offers a seamless experience by providing options to borrow or download PDF files. Users simply need to create a free account to access this treasure trove of knowledge. Open Library also allows users to contribute by uploading and sharing their own PDF files, making it a collaborative platform for book enthusiasts. For those interested in academic resources, there are websites dedicated to providing free PDFs of research papers and scientific articles. One such website is Academia.edu, which allows researchers and scholars to share their work with a global audience. Users can download PDF files of research papers, theses, and dissertations covering a wide range of subjects. Academia.edu also provides a platform for discussions and networking within the academic community. When it comes to downloading Circuit Analysis For Dummies Jstoreore free PDF files of magazines, brochures, and catalogs, Issuu is a popular choice. This digital publishing platform hosts a vast collection of publications from around the world. Users can search for specific titles or explore various categories and genres. Issuu offers a seamless reading experience with its user-friendly interface and allows users to download PDF files for offline reading. Apart from dedicated platforms, search engines also play a crucial role in finding free PDF files. Google, for instance, has an advanced search feature that allows users to filter results by file type. By specifying the file type as "PDF," users can find websites that offer free PDF downloads on a specific topic. While downloading Circuit Analysis For Dummies Jstoreore free PDF files is convenient, it's important to note that copyright laws must be respected. Always ensure that the PDF files you download are legally available for free. Many authors and publishers voluntarily provide free PDF versions of their work, but it's essential to be cautious and verify the authenticity of the source before downloading Circuit Analysis For Dummies Jstoreore. In conclusion, the internet offers numerous platforms and websites that allow users to download free PDF files legally. Whether it's classic literature, research papers, or magazines, there is something for everyone. The platforms mentioned in this article, such as Project Gutenberg, Open Library, Academia.edu, and Issuu, provide access to a vast collection of PDF files. However, users should always be cautious and verify the legality of the source before downloading Circuit Analysis For Dummies Jstoreore any PDF files. With these platforms, the world of PDF downloads is just a click away.

FAQs About Circuit Analysis For Dummies Jstoreore Books

How do I know which eBook platform is the best for me? Finding the best eBook platform depends on your reading

preferences and device compatibility. Research different platforms, read user reviews, and explore their features before making a choice. Are free eBooks of good quality? Yes, many reputable platforms offer high-quality free eBooks, including classics and public domain works. However, make sure to verify the source to ensure the eBook credibility. Can I read eBooks without an eReader? Absolutely! Most eBook platforms offer webbased readers or mobile apps that allow you to read eBooks on your computer, tablet, or smartphone. How do I avoid digital eye strain while reading eBooks? To prevent digital eye strain, take regular breaks, adjust the font size and background color, and ensure proper lighting while reading eBooks. What the advantage of interactive eBooks? Interactive eBooks incorporate multimedia elements, quizzes, and activities, enhancing the reader engagement and providing a more immersive learning experience. Circuit Analysis For Dummies Jstoreore is one of the best book in our library for free trial. We provide copy of Circuit Analysis For Dummies Jstoreore in digital format, so the resources that you find are reliable. There are also many Ebooks of related with Circuit Analysis For Dummies Jstoreore. Where to download Circuit Analysis For Dummies Jstoreore online for free? Are you looking for Circuit Analysis For Dummies Jstoreore PDF? This is definitely going to save you time and cash in something you should think about. If you trying to find then search around for online. Without a doubt there are numerous these available and many of them have the freedom. However without doubt you receive whatever you purchase. An alternate way to get ideas is always to check another Circuit Analysis For Dummies Jstoreore. This method for see exactly what may be included and adopt these ideas to your book. This site will almost certainly help you save time and effort, money and stress. If you are looking for free books then you really should consider finding to assist you try this. Several of Circuit Analysis For Dummies Jstoreore are for sale to free while some are payable. If you arent sure if the books you would like to download works with for usage along with your computer, it is possible to download free trials. The free guides make it easy for someone to free access online library for download books to your device. You can get free download on free trial for lots of books categories. Our library is the biggest of these that have literally hundreds of thousands of different products categories represented. You will also see that there are specific sites catered to different product types or categories, brands or niches related with Circuit Analysis For Dummies Jstoreore. So depending on what exactly you are searching, you will be able to choose e books to suit your own need. Need to access completely for Campbell Biology Seventh Edition book? Access Ebook without any digging. And by having access to our ebook online or by storing it on your computer, you have convenient answers with Circuit Analysis For Dummies Jstoreore To get started finding Circuit Analysis For Dummies Jstoreore, you are right to find our website which has a comprehensive collection of books online. Our library is the biggest of these that have literally hundreds of thousands of different products represented. You will also see that there are specific sites catered to different categories or niches related with Circuit Analysis For Dummies Jstoreore So depending on what exactly you are searching, you will be able tochoose ebook to suit your own need. Thank you for reading Circuit Analysis For Dummies Jstoreore. Maybe you have knowledge that,

people have search numerous times for their favorite readings like this Circuit Analysis For Dummies Jstoreore, but end up in harmful downloads. Rather than reading a good book with a cup of coffee in the afternoon, instead they juggled with some harmful bugs inside their laptop. Circuit Analysis For Dummies Jstoreore is available in our book collection an online access to it is set as public so you can download it instantly. Our digital library spans in multiple locations, allowing you to get the most less latency time to download any of our books like this one. Merely said, Circuit Analysis For Dummies Jstoreore is universally compatible with any devices to read.

Find Circuit Analysis For Dummies Jstoreore :

51-1966 minimalist lifestyle blueprint America 51-459 minimalist improvement review for startups 51-1722 credit score improvement roadmap for small business **51-575 Instagram growth for beginners for startups remote work for beginners for small business** **51-1412 remote work for for entrepreneurs** **51-1955 real estate investing strategies for small for creators** 51-2693 Instagram growth explained America 51-1620 51-2302 resume writing comparison United States 51-2578 resume writing entrepreneurs 51-161 cybersecurity for beginners USA 51-422 for beginners guide United States **51-2803 coding for beginners guide for America** 51-920 Instagram growth strategies for small business 51-305 51-335 blog monetization apps for startups 51-1664 blog monetization 51-1351 digital marketing step by step for startups **51-2497 digital 51-1907 digital marketing best practices for entrepreneurs** 51-2713 tech trends USA **51-1186 smart home tech trends USA** **51-955 smart home software America** 51-1180 budget travel software USA 51-1729 budget

Circuit Analysis For Dummies Jstoreore :

schede didattiche italiano classe quinta elementare gratis da - Mar 09 2023

web scarica risorse e schede didattiche per lo studio dell italiano storia geografia ed educazione civica in 5 elementare

italiano classe quinta playandlearn - Feb 25 2022

web nov 24 2019 classe quinta didattica italiano scuola primaria italiano per la scuola primaria una raccolta di schede guide

con esercizi e verifiche testi di grammatica

schede didattiche di italiano per la classe quinta - Aug 14 2023

web nov 17 2021 [indice delle schede di italiano per la classe 5ª](#) eccovi in elenco le varie schede didattiche di cui avrete bisogno dovrete soltanto cliccare sul link all argomento

risorse didattiche lettere classe 5 elementare pearson - Jan 07 2023

web jan 31 2021 [classe quinta italiano i verbi transitivi e intransitivi 31 gennaio 2021](#) scolasticando 0 schede didattiche italiano per la classe quinta viene spiegato il

italiano classe 5 portale scuola - Dec 26 2021

web sep 20 2019 [primi giorni in quinta durante i primi giorni di scuola](#) parleremo di diritti e doveri se ti interessa la prima parte clicca al seguente link

attività e schede didattiche classe quinta la teca didattica - Apr 29 2022

web attività di italiano per la classe quinta di scuola primaria entra e scopri i materiali disponibili per la classe quinta di italiano [playandlearnitalia gmail com](#)

classe quinta italiano magica scuola - Feb 08 2023

web scheda 6 italiano i calzoni dipinti 1 leggi il seguente racconto 2 rispondi alle domande 3 numera le didascalie secondo l'ordine temporale in cui si sono svolti i fatti a scuola

schede di italiano quinta maestra anita - Jul 01 2022

web si può associare l'osservazione di due opere sublimi quella di botticelli e quella di erté poi si disegna italiano storia di paride e della mela d'oro dal discorso diretto al discorso

schede didattiche di italiano per la classe quinta sostegno 2 0 - Sep 03 2022

web oct 11 2019 [scheda analisi verbo news le nove parti del discorso grammatica in quinta settembre i verbi ripasso grammatica in quinta settembre cerca sul sito](#)

[schede italiano classe 5a principato scuola](#) - Dec 06 2022

web italiano classe quinta scuola primaria scuola primaria lingua italiana didattica per classi ortografia schede di grammatica nomi da milena nomi concreti e astratti da

[italiano classe quinta maestra anita](#) - Jun 12 2023

web luglio 6 2021 [maestra anita se ti va condividi l'articolo italiano classe quinta per consultare gli articoli con le varie attività](#) clicca sui link scritti in blu quaderno dei

[attività dei primi giorni di classe quinta scuola primaria twinkl](#) - Jan 27 2022

web aug 1 2014 [come promesso eccovi il primo di una serie di quadernoni di italiano di classe v digitalizzato dalla maestra](#)

patrizia cantore ormai si sta per completare un
[schede didattiche d italiano classe quinta maestra mary](#) - Mar 29 2022

web l attività dei primi giorni per classe quinta è un opuscolo con diverse schede colorate che i tuoi studenti dovranno riempire di informazioni che li riguardano nbsp le schede

schede italiano classe 5a principato scuola - Jul 13 2023

web schede italiano classe 5 a cetem la comunicazione un bel problema scheda 1 un cane senza padrone scheda 2 oggi interroghiamo scheda 3 ragazzi in

[primi giorni italiano in quinta settembre maestra anita](#) - Oct 24 2021

italiano scolasticando it - Nov 05 2022

web jan 6 2023 06 01 2023 scritto da giorgia mormile schede didattiche di italiano per la classe quinta ecco qui l ultima raccolta di materiale didattico di italiano dedicate ai

[il quadernone di italiano classe v](#) - Nov 24 2021

italiano in quinta archivi maestra anita - Aug 02 2022

web oct 11 2019 la lingua italiana grammatica in quinta settembre ottobre 11 2019 maestra anita se ti va condividi l articolo la lingua italiana iniziamo il quaderno di

italiano classe 5 maestra giulia - Apr 10 2023

web schede didattiche italiano classe quinta elementare gratis da stampare schede di italiano per la quinta elementare scarica gratis il pdf con le schede dei miei libri

[italiano classe quinta scuola primaria maestrasabry](#) - Oct 04 2022

web jul 6 2021 classe quarta italiano schede da stampare schede di matematica quinta schede di italiano quinta informatica coding l ora del codice

la lingua italiana grammatica in quinta maestra anita - May 31 2022

web sep 16 2015 classe quinta filastrocca di benvenuto con verifica d ingresso finalmente in quinta il giuramento dell amicizia da stampare ed appendere si trova qui

[schede da stampare italiano maestra anita](#) - May 11 2023

web attività e schede per lavorare sul congiuntivo in classe quarta e quinta della scuola primaria

future business kompass der kopffoffner fur besser copy - Apr 14 2022

web mar 31 2023 future business kompass der kopffoffner fur besser 1 1 downloaded from uniport edu ng on march 31 2023

by guest future business kompass der kopfföfner für besser recognizing the mannerism ways to get this book future business kompass der kopfföfner für besser is additionally useful you have remained in right site to begin

future business kompass der kopfföfner für besseres yumpu - Jan 24 2023

web future business kompass der kopfföfner für besseres yumpu self publishing

future business kompass der kopfföfner für besseres - Jan 12 2022

web scribd 1afe future business kompass der kopfföfner für besseres nlp stanford edu abstractband gerontologie und geriatrie kongress 2016 beamer abox 2400 lux 1080p unterstützen tragbarer led suchergebnisse für all plattentests de future

business kompass der kopfföfner für besseres pdf laski ein

future business kompass der kopfföfner für besseres - Feb 22 2023

web oct 28 2019 dieses hochwertige und ungewöhnliche inspirationsbuch nimmt sowohl die letzten 50 jahre als auch die nächste zukunft einer großen idee unter die lupe von der agenda der welt bis zu jedem

future business kompass der kopfföfner für besser copy - Mar 14 2022

web apr 12 2023 future business kompass der kopfföfner für besser 1 1 downloaded from uniport edu ng on april 12 2023

by guest future business kompass der kopfföfner für besser future business kompass der kopfföfner für besser copy uniport edu ng created date 4 12 2023 1 23 43 pm

future business kompass der kopfföfner für besseres wirtschaften - Aug 31 2023

web seit ende 2019 zählt der future business kompass zu den 99 besten wirtschaftsbüchern im amazon ranking meist unter den top 10 in der kategorie wirtschaftsethik und mit 4 9 von 5 sternern überdurchschnittlich von den lesern bewertet stephan grabmeier zeigt in seinem neuen buch wie kopfföfner schon heute die

pdf future business kompass der kopfföfner für besseres - Apr 26 2023

web wir sind auf dem weg in eine globale sustainable transformation die wir positiv gestalten k 246 nnen inhalte ideen werkzeuge formate und beispiele von besserem wirtschaften wie auf einem kompass in vier himmelsrichtungen unternehmen gesellschaft individuen und bildung der leser ob einzelakteur oder manager realist

future business kompass der kopfföfner für besseres - Feb 10 2022

web edu 1afe future business kompass der kopfföfner für besseres im kopf der kunden das kundenerlebnis messen diepresse die 49 besten bilder von such und find such und find dj kompass stadtmagazin ausgabe 10 19 by kompass change prozesse

und das unternehmen im kopf exploring partner kopfbisfuss kompass test amp

future business kompass der kopfföfner für besseres - Nov 21 2022

web compre online future business kompass der kopfföfner für besseres wirtschaften de na amazon frete grátis em milhares de produtos com o amazon prime encontre diversos livros em inglês e outras línguas com ótimos preços

future business kompass der kopföffner für besseres - Jun 28 2023

web future business kompass der kopföffner für besseres wirtschaften professional publishing for future and innovation
ebook grabmeier stephan amazon de kindle shop

future business kompass der kopföffner für besseres - Jun 16 2022

web future business kompass der kopföffner für besseres zwischenbericht uwt end 070408 2 kit itas kompass test amp
vergleich top 8 im juni 2020 zubehör für tragbare geräte page 7 osnetni wie man mit futures handeln kann sie sagt dass sie

future business kompass der kopföffner für besseres - Jul 18 2022

web aug 20 2023 wirtschaftslexikon 1afe future business kompass der kopföffner für besseres koppers fundamentalanalyse
kennzahlenanalyse finanzen net das bruttoinlandsprodukt bip pro kopf die 49 besten bilder von such und find such und find
dj may 8th 2020 11 11 2019 erkunde tom o mats pinnwand such und find auf pinterest

future business kompass der kopföffner für besseres - Sep 19 2022

web future business kompass der kopföffner für besseres wirtschaften professional publishing for future and innovation by
stephan grabmeier konto steht kopf faz net die 49 besten bilder von such und find such und find dj börsenlexikon future
begriffserklärung zu future wie man mit futures handeln kann sie sagt dass sie die kompass test

future business kompass der kopföffner für besseres - Aug 19 2022

web future business kompass der kopföffner für besseres warum sind terminkontrakte wichtig 2020 talkin go money
suchergebnisse für res plattentests de 1afe future business kompass der kopföffner für besseres nlp stanford edu die 49
besten bilder von such und find such und find dj pdf laski ein kompass für die orientierung in der koppers

future business kompass der kopföffner für besseres yumpu - Oct 21 2022

web get now pdf ebooklibrary pw 3648135694 new york times i and wall street journal i bestseller

future business kompass der kopföffner für besseres - Jul 30 2023

web future business kompass der kopföffner für besseres wirtschaften grabmeier stephan contents future business kompass
inhalt vorwort wieso kopföffner für besseres wirtschaften editorial Über dieses buch hier stehen wir und können anders
abgehängt frustriert vergessen grenzenloser wachstumswahn mangelndes

future business kompass der kopföffner für besseres - Dec 23 2022

web von der sozialen innovation ins business von der gegenwart in eine verantwortungsvolle enkelfähige zukunft jeder der
die sustainable transformation aktiv gestalten und seinen beitrag zur enkelfähigkeit für unseren planeten liefern möchte
sollte den future business kompass lesen dieser titel ist ein produkt der reihe professional

future business kompass der kopföffner für besser - May 16 2022

web future business kompass der kopföffner für besser 1 future business kompass der kopföffner für besser future business

kompas der kopffner fur besser downloaded from gsevocab pearsonelt com by guest randall katelyn best sellers books
brown bear brown bear what do you see tomorrow and tomorrow and

future business kompass der kopfföfner für besseres wirtschaften - Mar 26 2023

web von der gegenwart in eine verantwortungsvolle enkelfähige zukunft jeder der die sustainable transformation aktiv gestalten und seinen beitrag zur enkelfähigkeit für unseren planeten liefern möchte sollte den future business kompass lesen
future business kompass der kopfföfner für besseres - May 28 2023

web future business kompass der kopfföfner für besseres wirtschaften professional publishing for future and innovation
grabmeier stephan isbn 9783648135693 kostenloser versand für alle bücher mit versand und verkauf duch amazon

anche i pugili piangono sandro mazzinghi un uomo senza - Mar 09 2023

web acquista online il libro anche i pugili piangono sandro mazzinghi un uomo senza paura nato per combattere di dario torromeo in offerta a prezzi imbattibili su mondadori store

anche i pugili piangono sandro mazzinghi un uomo senza - Dec 06 2022

web anche i pugili piangono sandro mazzinghi un uomo senza paura nato per combattere torromeo dario amazon se böcker

anche i pugili piangono sandro mazzinghi un uomo senza - Feb 08 2023

web anche i pugili piangono sandro mazzinghi un uomo senza paura nato per combattere 1 di torromeo dario su abebooks it
isbn 10 8868580934 isbn 13 9788868580933 absolutely free 2016 brossura

[alessandro mazzinghi wikipedia](#) - Nov 05 2022

web alessandro mazzinghi detto sandro pontedera 3 ottobre 1938 pontedera 22 agosto 2020 è stato un pugile scrittore e cantante italiano uno tra gli atleti più amati dal pubblico degli appassionati di boxe in italia È stato campione del mondo dei pesi medi junior 1963 1965 e 1968 1969 e campione d europa della stessa categoria 1966 19

sandro mazzinghi the writer - Feb 25 2022

web the dreams of sandro are many his tenacity allowed to realize varied one amount his career is a testimony sandro has fact all and defeated to the appeal the realization was all only missing of a biography book turned to the old and in particular to the young generations more and more prey of the dangers hidden in every attitude of the modern

anche i pugili piangono sandro mazzinghi un uomo senza - Aug 02 2022

web dec 25 2017 acquista anche i pugili piangono sandro mazzinghi un uomo senza paura nato per combattere su libreria universitaria spedizione gratuita sopra i 25 euro su libreria universitaria

[anche i pugili piangono sandro mazzinghi un uomo senza](#) - Sep 15 2023

web erano gli anni della seconda guerra mondiale la mamma si alzava alle cinque del mattino e tirava avanti fino alle sei della sera andava a fare i materassi dai contadini i bucati in casa dei ricchi quando rientrava sandro interrompeva il lavoro

nei campi metteva gli zoccoli sotto la bretella della canottiera e le andava incontro

[anche i pugili piangono sandro mazzinghi un uomo senza](#) - Apr 10 2023

web nov 17 2016 anche i pugili piangono sandro mazzinghi un uomo senza paura nato per combattere torromeo dario on amazon com free shipping on qualifying offers anche i pugili piangono sandro mazzinghi un uomo senza paura nato per combattere

[amazon anche i pugili piangono sandro mazzinghi un uomo](#) - Sep 03 2022

web nov 17 2016 anche i pugili piangono sandro mazzinghi un uomo senza paura nato per combattere sport doc italian edition kindle edition by dario torromeo download it once and read it on your kindle device pc phones or tablets

anche i pugili piangono sandro mazzinghi un uomo senza paura - Jun 12 2023

web ha spaccato l italia a metà da una parte lui dall altra nino benvenuti due incontri entrati nella storia della boxe e del nostro paese perso il titolo se lo è ripreso contro ki soo kim in un match cruento spietato battaglie così un uomo ne può affrontare solo una nella vita sandro mazzinghi pugile da leggenda questa è la sua

anche i pugili piangono sandro mazzinghi un uomo senza - Oct 04 2022

web anche i pugili piangono sandro mazzinghi un uomo senza paura nato per combattere è un libro di torromeo dario pubblicato da absolutely free nella collana sport doc con argomento mazzinghi sandro isbn 9788868580933

anche i pugili piangono sandro mazzinghi un uomo senza - May 31 2022

web anche i pugili piangono sandro mazzinghi un uomo senza paura nato per combattere sport doc torromeo dario amazon es libros

amazon it anche i pugili piangono sandro mazzinghi un uomo - Aug 14 2023

web scopri anche i pugili piangono sandro mazzinghi un uomo senza paura nato per combattere 1 di torromeo dario spedizione gratuita per i clienti prime e per ordini a partire da 29 spediti da amazon

[anche i pugili piangono sandro mazzinghi un uomo senza](#) - Jul 01 2022

web anche i pugili piangono sandro mazzinghi un uomo senza paura nato per combattere è un libro scritto da dario torromeo pubblicato da absolutely free nella collana sport doc libriccio it

amazon com anche i pugili piangono sandro mazzinghi un uomo - May 11 2023

web nov 17 2016 buy anche i pugili piangono sandro mazzinghi un uomo senza paura nato per combattere sport doc italian edition read kindle store reviews amazon com

anche i pugili piangono sandro mazzinghi un uomo senza paura - Jan 07 2023

web anche i pugili piangono sandro mazzinghi un uomo senza paura nato per combattere sport doc italian edition ebook dario torromeo amazon in kindle store

anche i pugili piangono sandro mazzinghi un uomo senza - Jul 13 2023

web anche i pugili piangono sandro mazzinghi un uomo senza paura nato per combattere è un libro di dario torromeo pubblicato da absolutely free nella collana sport doc acquista su ibs a 14 25

anche i pugili piangono sandro mazzinghi avodaf - Mar 29 2022

web may 14 2018 anche i pugili piangono sandro mazzinghi 14 mag 2018 18 mar 2018 avodaf fare il pugile vuol dire avere paura e cacciarsela in gola bisogna saperle prendere oltre che restituirle questo si sa fai clic per inviare un link a un amico via e mail si apre in una nuova finestra fai clic qui per stampare si apre in una nuova finestra

ancheipugilipianganosandromazzinghiun uomo - Jan 27 2022

web uomo erfenis van een vrouw de vikingen saga de macht van een vrouw het geheim van de alchemist anche i pugili piangono anche i pugili piangono sandro mazzinghi un uomo senza paura nato per combattere ancheipugilipianganosandromazzinghiunuomo downloaded from tea senseasia net

anche i pugili piangono sandro mazzinghi un uomo rex - Apr 29 2022

web merely said the anche i pugili piangono sandro mazzinghi un uomo is universally compatible with any devices to read the communist postscript boris groys 2022 08 23 a provocative essay on the relationship between communism philosophy and language since plato philosophers have dreamed of establishing a