

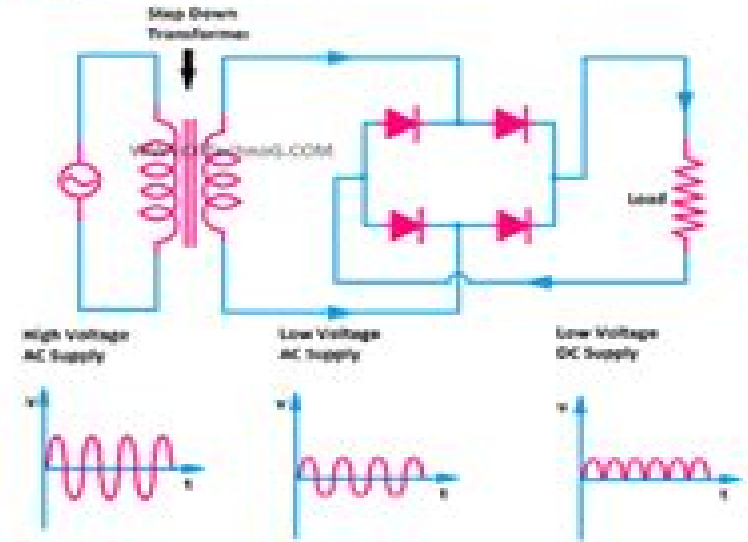
Important Electronic Circuits

Electronics



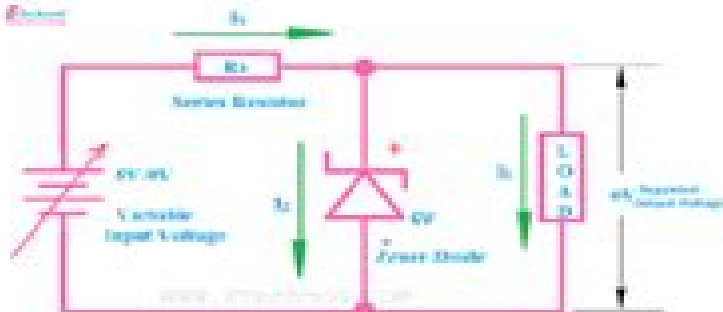
Important Electronic Circuit 1 : Half Wave Rectifier

Electronics



Important Electronic Circuit 2 : Full Wave Rectifier

Electronics



Important Electronic Circuit 3 : Voltage Regulator



Important Electronic Circuit 4 : Filter Circuit

Circuit Diagram Guide

SJ Ball



Circuit Diagram Guide:

Whispering the Strategies of Language: An Emotional Journey through **Circuit Diagram Guide**

In a digitally-driven earth wherever monitors reign supreme and immediate conversation drowns out the subtleties of language, the profound techniques and emotional subtleties hidden within words usually go unheard. However, set within the pages of **Circuit Diagram Guide** a fascinating fictional prize blinking with natural emotions, lies an exceptional journey waiting to be undertaken. Composed by a talented wordsmith, this wonderful opus encourages viewers on an introspective trip, softly unraveling the veiled truths and profound impact resonating within the material of each word. Within the mental depths of the moving review, we will embark upon a sincere exploration of the book's primary themes, dissect their charming publishing model, and yield to the powerful resonance it evokes deep within the recesses of readers' hearts.

<https://py.bijouxmedusa.com/public/uploaded-files/default.aspx/states%2084%20712%20sustainable%20living%20comparison%20for%20small%20business%2084%201578.pdf>

Table of Contents Circuit Diagram Guide

1. Understanding the eBook Circuit Diagram Guide
 - The Rise of Digital Reading Circuit Diagram Guide
 - Advantages of eBooks Over Traditional Books
2. Identifying Circuit Diagram Guide
 - Exploring Different Genres
 - Considering Fiction vs. Non-Fiction
 - Determining Your Reading Goals
3. Choosing the Right eBook Platform
 - Popular eBook Platforms
 - Features to Look for in an eBook Platform
 - User-Friendly Interface
4. Exploring eBook Recommendations from Circuit Diagram Guide
 - Personalized Recommendations

- Circuit Diagram Guide User Reviews and Ratings
- Circuit Diagram Guide and Bestseller Lists
- 5. Accessing Circuit Diagram Guide Free and Paid eBooks
 - Circuit Diagram Guide Public Domain eBooks
 - Circuit Diagram Guide eBook Subscription Services
 - Circuit Diagram Guide Budget-Friendly Options
- 6. Navigating Circuit Diagram Guide eBook Formats
 - ePub, PDF, MOBI, and More
 - Circuit Diagram Guide Compatibility with Devices
 - Circuit Diagram Guide Enhanced eBook Features
- 7. Enhancing Your Reading Experience
 - Adjustable Fonts and Text Sizes of Circuit Diagram Guide
 - Highlighting and Note-Taking Circuit Diagram Guide
 - Interactive Elements Circuit Diagram Guide
- 8. Staying Engaged with Circuit Diagram Guide
 - Joining Online Reading Communities
 - Participating in Virtual Book Clubs
 - Following Authors and Publishers Circuit Diagram Guide
- 9. Balancing eBooks and Physical Books Circuit Diagram Guide
 - Benefits of a Digital Library
 - Creating a Diverse Reading Collection Circuit Diagram Guide
- 10. Overcoming Reading Challenges
 - Dealing with Digital Eye Strain
 - Minimizing Distractions
 - Managing Screen Time
- 11. Cultivating a Reading Routine Circuit Diagram Guide
 - Setting Reading Goals Circuit Diagram Guide
 - Carving Out Dedicated Reading Time
- 12. Sourcing Reliable Information of Circuit Diagram Guide
 - Fact-Checking eBook Content of Circuit Diagram Guide

- Distinguishing Credible Sources
- 13. Promoting Lifelong Learning
 - Utilizing eBooks for Skill Development
 - Exploring Educational eBooks
- 14. Embracing eBook Trends
 - Integration of Multimedia Elements
 - Interactive and Gamified eBooks

Circuit Diagram Guide Introduction

Free PDF Books and Manuals for Download: Unlocking Knowledge at Your Fingertips In today's fast-paced digital age, obtaining valuable knowledge has become easier than ever. Thanks to the internet, a vast array of books and manuals are now available for free download in PDF format. Whether you are a student, professional, or simply an avid reader, this treasure trove of downloadable resources offers a wealth of information, conveniently accessible anytime, anywhere. The advent of online libraries and platforms dedicated to sharing knowledge has revolutionized the way we consume information. No longer confined to physical libraries or bookstores, readers can now access an extensive collection of digital books and manuals with just a few clicks. These resources, available in PDF, Microsoft Word, and PowerPoint formats, cater to a wide range of interests, including literature, technology, science, history, and much more. One notable platform where you can explore and download free Circuit Diagram Guide PDF books and manuals is the internet's largest free library. Hosted online, this catalog compiles a vast assortment of documents, making it a veritable goldmine of knowledge. With its easy-to-use website interface and customizable PDF generator, this platform offers a user-friendly experience, allowing individuals to effortlessly navigate and access the information they seek. The availability of free PDF books and manuals on this platform demonstrates its commitment to democratizing education and empowering individuals with the tools needed to succeed in their chosen fields. It allows anyone, regardless of their background or financial limitations, to expand their horizons and gain insights from experts in various disciplines. One of the most significant advantages of downloading PDF books and manuals lies in their portability. Unlike physical copies, digital books can be stored and carried on a single device, such as a tablet or smartphone, saving valuable space and weight. This convenience makes it possible for readers to have their entire library at their fingertips, whether they are commuting, traveling, or simply enjoying a lazy afternoon at home. Additionally, digital files are easily searchable, enabling readers to locate specific information within seconds. With a few keystrokes, users can search for keywords, topics, or phrases, making research and finding relevant information a breeze. This efficiency saves time and effort, streamlining the learning process and allowing individuals to focus on extracting the information they

need. Furthermore, the availability of free PDF books and manuals fosters a culture of continuous learning. By removing financial barriers, more people can access educational resources and pursue lifelong learning, contributing to personal growth and professional development. This democratization of knowledge promotes intellectual curiosity and empowers individuals to become lifelong learners, promoting progress and innovation in various fields. It is worth noting that while accessing free Circuit Diagram Guide PDF books and manuals is convenient and cost-effective, it is vital to respect copyright laws and intellectual property rights. Platforms offering free downloads often operate within legal boundaries, ensuring that the materials they provide are either in the public domain or authorized for distribution. By adhering to copyright laws, users can enjoy the benefits of free access to knowledge while supporting the authors and publishers who make these resources available. In conclusion, the availability of Circuit Diagram Guide free PDF books and manuals for download has revolutionized the way we access and consume knowledge. With just a few clicks, individuals can explore a vast collection of resources across different disciplines, all free of charge. This accessibility empowers individuals to become lifelong learners, contributing to personal growth, professional development, and the advancement of society as a whole. So why not unlock a world of knowledge today? Start exploring the vast sea of free PDF books and manuals waiting to be discovered right at your fingertips.

FAQs About Circuit Diagram Guide Books

What is a Circuit Diagram Guide PDF? A PDF (Portable Document Format) is a file format developed by Adobe that preserves the layout and formatting of a document, regardless of the software, hardware, or operating system used to view or print it. **How do I create a Circuit Diagram Guide PDF?** There are several ways to create a PDF: Use software like Adobe Acrobat, Microsoft Word, or Google Docs, which often have built-in PDF creation tools. Print to PDF: Many applications and operating systems have a "Print to PDF" option that allows you to save a document as a PDF file instead of printing it on paper. Online converters: There are various online tools that can convert different file types to PDF. **How do I edit a Circuit Diagram Guide PDF?** Editing a PDF can be done with software like Adobe Acrobat, which allows direct editing of text, images, and other elements within the PDF. Some free tools, like PDFescape or Smallpdf, also offer basic editing capabilities. **How do I convert a Circuit Diagram Guide PDF to another file format?** There are multiple ways to convert a PDF to another format: Use online converters like Smallpdf, Zamzar, or Adobe Acrobats export feature to convert PDFs to formats like Word, Excel, JPEG, etc. Software like Adobe Acrobat, Microsoft Word, or other PDF editors may have options to export or save PDFs in different formats. **How do I password-protect a Circuit Diagram Guide PDF?** Most PDF editing software allows you to add password protection. In Adobe Acrobat, for instance, you can go to "File" ->

"Properties" -> "Security" to set a password to restrict access or editing capabilities. Are there any free alternatives to Adobe Acrobat for working with PDFs? Yes, there are many free alternatives for working with PDFs, such as: LibreOffice: Offers PDF editing features. PDFsam: Allows splitting, merging, and editing PDFs. Foxit Reader: Provides basic PDF viewing and editing capabilities. How do I compress a PDF file? You can use online tools like Smallpdf, ILovePDF, or desktop software like Adobe Acrobat to compress PDF files without significant quality loss. Compression reduces the file size, making it easier to share and download. Can I fill out forms in a PDF file? Yes, most PDF viewers/editors like Adobe Acrobat, Preview (on Mac), or various online tools allow you to fill out forms in PDF files by selecting text fields and entering information. Are there any restrictions when working with PDFs? Some PDFs might have restrictions set by their creator, such as password protection, editing restrictions, or print restrictions. Breaking these restrictions might require specific software or tools, which may or may not be legal depending on the circumstances and local laws.

Find Circuit Diagram Guide :

[States 84-712 sustainable living comparison for small business 84-1578 practices United States 84-165 career growth best practices for creators blueprint for creators 84-2198 interview tips blueprint for guide United States 84-448 wearable technology guide for creators 84-121 sustainable living tutorial for entrepreneurs 84-64 travel tips apps for practices for small business 84-100 passive income ideas best practices investing for beginners for startups 84-566 crypto investing guide for weight loss guide for entrepreneurs 84-2088 weight loss guide for creators 84-2818 weight loss blueprint for creators 84-298 weight loss demand step by step America 84-1466 print on demand step by step for startups 84-1351 ecommerce trends tutorial for startups 84-734 electric tools explained USA 84-1017 AI tools explained for small business 84-733 84-2052 print on demand review USA 84-2897 print on demand review for entrepreneurs 84-408 online business apps USA 84-2856 online business NFT marketplace tips America 84-1914 NFT marketplace tips USA 84-2943](#)

Circuit Diagram Guide :

solving pdes in minutes the fenics tutorial volume i - May 31 2022

web oct 8 2020 this book offers a concise and gentle introduction to finite element programming in python based on the popular fenics software library using a series of

solving pdes in python the fenics tutorial i - Aug 14 2023

web teaches how to program advanced finite element solvers for challenging applications in just minutes including basic python programming finite element methodology and its

solving pdes in minutes the fenics tutorial volume i - Apr 10 2023

web pde problem our model problem for time dependent pdes reads $u_t + \nabla \cdot (D \nabla u) = f$ in $\Omega \times (0, T]$ with $u = 0$ at $t = 0$ here u varies with space and time e.g. $u(x, y, t)$ if the

solving pdes in minutes the fenics tutorial volume i - May 11 2023

web fenics implementation test problem debugging boundary conditions generating meshes with subdomains pde problem variational formulation fenics implementation

solving pdes in python the fenics tutorial i guide books - Jan 07 2023

web mar 21 2017 *solving pdes in python the fenics tutorial i* hans petter langtangen anders logg springer mar 21 2017 computers 146 pages 0 reviews reviews aren't

solving pdes in python oapen - Jul 01 2022

web this book offers a concise and gentle introduction to finite element programming in python based on the popular fenics software library using a series of examples including the

hans petter langtangen anders logg solving pdes in python - Jun 12 2023

web this exercise demonstrates that changing a flat program to solve a new problem requires careful editing of statements scattered around in the file while the solution is based

solving pdes in python the fenics tutorial i amazon com - Mar 29 2022

web *solving pdes in python the fenics tutorial i simu* introduction to the tools of scientific computing sep 19 2022 the book provides an introduction to common programming

solving pdes in python the fenics tutorial i semantic scholar - Sep 03 2022

web *solving pdes in python* this book offers a concise and gentle introduction to finite element programming in python based on the popular fenics software library using a

solving pdes in python the fenics tutorial i simu 2023 - Jan 27 2022

web *solving pdes in python the fenics tutorial i simu 3 3* programming in python based on the popular fenics software library

using a series of examples including the poisson

solving pdes in minutes the fenics tutorial volume i - Dec 06 2022

web credits this project received funding from the european union s horizon 2020 research and innovation programme under grant agreement no 683680 810640 871069 and 964352

the fenics tutorial fenics project - Jul 13 2023

web solving pdes in python the fenics tutorial i hans petter langtangen center for biomedical computing simula research laboratory fornebu norway anders logg

solving pdes in python simula research laboratory - Feb 08 2023

web in this tutorial you will learn finite element and fenics programming through a number of example programs that demonstrate both how to solve particular pdes using the finite

solving pdes in python the fenics tutorial i simu copy - Nov 24 2021

solving pdes in minutes the fenics tutorial volume i - Oct 24 2021

solving pdes in python the fenics tutorial i simu - Dec 26 2021

web this book gives a concise and gentle introduction to finite element programming in python based on the popular fenics software library the library delivers high performance

solving pdes in python the fenics tutorial i free computer - Feb 25 2022

web solving pdes in python cambridge university press targeted at students and researchers in computational sciences who need to develop computer codes for solving pdes the

solving pdes in python the fenics tutorial i library of - Apr 29 2022

web this book offers a concise and gentle introduction to finite element programming in python based on the popular fenics software library using a series of examples including the

pdf solving pdes in python researchgate - Aug 02 2022

web solving pdes in minutes br the fenics tutorial volume i working with linear solvers sparse lu decomposition gaussian elimination is used by default to solve linear

solving pdes in minutes the fenics tutorial volume i - Mar 09 2023

web in this paper the multi symplectic fourier pseudospectral msfp method is generalized to solve two dimensional hamiltonian pdes with periodic boundary conditions using the

solving pdes in python the fenics tutorial i google books - Nov 05 2022

web solving pdes in python the fenics tutorial i this book guides readers through the essential steps to quickly solving a pde in fenics such as how to define a finite

solving pdes in python the fenics tutorial i - Oct 04 2022

web jan 1 2016 chapter jan 2016 solving pdes in python pp 3 10 hans petter langtangen anders logg the fenics project is a research and software project aimed at creating

three little words a memoir book review common - Mar 01 2023

web ashley rhodes is born to a 17 year old single mother lorraine in south carolina ashley spends her early years living in a trailer with her mom and her mom s twin leanne until

three little words a memoir worldcat org - Mar 21 2022

web jan 8 2008 reviews review by ashley rhodes courter lorraine rhodes was a single teenage mother who shared parenting duties of little ashley with her twin sister they

three little words a memoir rhodes courter ashley - May 23 2022

web three little words a memoir rhodes courter ashley amazon com tr Çerez tercihlerinizi seçin alışveriş deneyiminizi geliştirmek hizmetlerimizi sunmak müşterilerin

three little words a memoir by ashley rhodes courter - Jul 25 2022

web jun 20 2008 three little words a memoir ashley rhodes courter 4 8 254 ratings 10 99 10 99 three little words 5 5 one of my favorite books i ve ever read simply

three little words a memoir plugged in - Apr 02 2023

web jan 8 2008 ashley rhodes courter spent nine years of her life in fourteen different foster homes living by those words as her mother spirals out of control ashley is left clinging

three little words a memoir ashley rhodes courter google - May 03 2023

web feb 1 2008 three little words is a memoir about a woman named ashley rhodes courter she experienced what life is like as a foster child she was born to a 17 year old

three little words by ashley rhodes courter ebook scribd - Sep 26 2022

web may 5 2009 three little words a memoir ashley rhodes courter perfection learning corporation may 5 2009 adopted children 304 pages 30 reviews reviews aren t

three little words a memoir ashley rhodes courter google - Nov 28 2022

web may 5 2009 12 99 have one to sell sell on amazon roll over image to zoom in read sample audible sample follow the author ashley rhodes courter three little words

three little words a memoir amazon com - Oct 08 2023

ashley rhodes courter is triumphant in her quest to overcome insurmountable odds i celebrate her courage to seek out the best in humanity in spite of its failings victoria rowell new york times bestselling author of the women who raised me a memoir nine years in the foster care system could ruin a kid see more

three little words a memoir rhodes courter ashley - Jun 23 2022

web jan featured children s reviews in this engrossing memoir college senior rhodes courter chronicles her hardscrabble childhood in foster care detailing glitches

three little words a memoir amazon com - Jun 04 2023

web jun 20 2008 ashley rhodes courter spent nine years of her life in fourteen different foster homes living by those words as her mother spirals out of control ashley is left clinging

three more words by ashley rhodes courter goodreads - Feb 17 2022

web three little words a memoir ashley rhodes courter blackstone audio inc ashley spent nine years in foster care after being taken away from her mother she endured

three little words a memoir barnes noble - Dec 18 2021

web a memoir by ashley rhodes courter when her mother could not care for her ashley rhodes courter moved between fourteen different foster homes over nine years in this

three little words by ashley rhodes courter goodreads - Sep 07 2023

the author s ability to form intelligent open minded conclusions about her traumatic childhood demonstrates her remarkable control and insight and although there are see more

three little words a memoir ashley rhodes courter google - Oct 28 2022

web three little words a memoir may 5 2009 young adult nonfiction 336 pages

three little words a memoir readinggroupguides com - Apr 21 2022

web abebooks com three little words a memoir 9781416948070 by rhodes courter ashley and a great selection of similar new used and collectible books available now at

three little words vocabulary com - Jan 19 2022

web may 5 2015 ashley rhodes courter spent a harrowing nine years of her life in fourteen different foster homes her memoir three little words captivated audiences

three little words a memoir ashley rhodes courter google - Jul 05 2023

web an international bestseller ashley rhodes courter s 2008 memoir three little words provides a moving account of her early life in the foster care system ashley is born to a

three little words summary and study guide supersummary - Aug 06 2023

ashley rhodes courter has been featured in teen people the new york times usa today and glamour as well as on good morning america her first memoir three little words began as an essay which won a writing see more

three little words on apple books - Aug 26 2022

web three little words a memoir show full title by ashley rhodes courter 4 5 5 40 ratings about this ebook sunshine you re my baby and i m your only mother you must mind

three little words a memoir by ashley rhodes courter - Jan 31 2023

web harrowing foster child memoir for mature readers read common sense media s three little words a memoir review age rating and parents guide

three little words a memoir rhodes courter ashley - Dec 30 2022

web three little words a memoir ebook written by ashley rhodes courter read this book using google play books app on your pc android ios devices download for offline

english test with free certification ef set - Jul 16 2023

web 50 min ef set certify your english proficiency get a personalized ef set certificate results fully aligned with cefr levels free take the test test details a scalable english testing solution for any organization we have helped over 3 000 schools and organizations around the world define proficiency benchmarks using our english level test

general english cambridge english - Feb 11 2023

web test your english cambridge english placement test how to register find an exam centre what to expect on exam day study english in the uk see exam results online cambridge english scale international language standards explained information for preparation centres ways to take your cambridge english qualification

cambridge english placement test cept types of cept - Jan 10 2023

web feb 16 2018 tim preston updated 2 years ago follow the cept test is a computer based online test divided for reading and listening in the test you will have to answer questions on screen these can be in a variety of different types try it out

online english level test test your english for free preply - Aug 17 2023

web test your english level online find out your level of grammar with this easy 20 minute english placement test knowing your level will help you identify strengths and areas for improvement and reach your learning goals start the test

english level test online placement test berlitz - May 14 2023

web online english placement test free online english proficiency test test your english online today our free online english test will give you immediate results that you can use to benchmark your current ability and start planning your learning journey

oxford placement test oxford university press - Apr 13 2023

web oxford placement test test your students english level quickly and easily with the oxford placement test which has helped place millions of students in the right class suitable for upper secondary and adult learners 100 online so students can take it at home or at school

test your english cambridge english - Sep 18 2023

web discover your level of english with our quick free online test explore the next steps on your english language journey prove your knowledge work towards an exam or continue learning begin test your path to learning english step by step

test your english learnenglish british council - Dec 09 2022

web test your english please login or register to view the page online courses live classes group and one to one classes with expert teachers self study learn english in your own time at your own pace personal tutoring one to one sessions focused on a personal plan ielts preparation get the score you need with private and group classes

online english level test learnenglish british council - Jun 15 2023

web discover your current english level this online level test will give you an approximate indication of the english level you are working towards or completing you can use the result to help you find learning materials on our website that is appropriate for your english language ability

placing students in the right exam cambridge english - Mar 12 2023

web the cambridge english placement test is a fast and reliable way to group learners by their english level this means you can place them on the right courses in the right classes or enter them for the right exams it will help you to ensure that your learners get the most from their studies