

Activity - Practice with Complex Circuits

$$V = IR$$

Part I

In the circuits below, the voltage of the battery is 12 V and each resistor is 2 Ω. For each circuit:

- Describe the circuit and any assumptions you make. Which resistors are in series? Which are in parallel?
- Calculate the current through each resistor and the voltage across each resistor.

Total: $8 + 2 = 10$

$$A = \frac{2 \Omega}{4.67} (12)$$

5.13

$$2 + 2 = 4 \Omega \text{ (series)} \quad \frac{1}{2} + \frac{1}{2} + \frac{1}{2} = \frac{3}{2} = \frac{2}{3} \text{ (parallel)}$$

$$4 + \frac{2}{3} = 4.67 \Omega = \text{total}$$

Series = $2 + 2 + 2 + 2 = 8 \Omega$

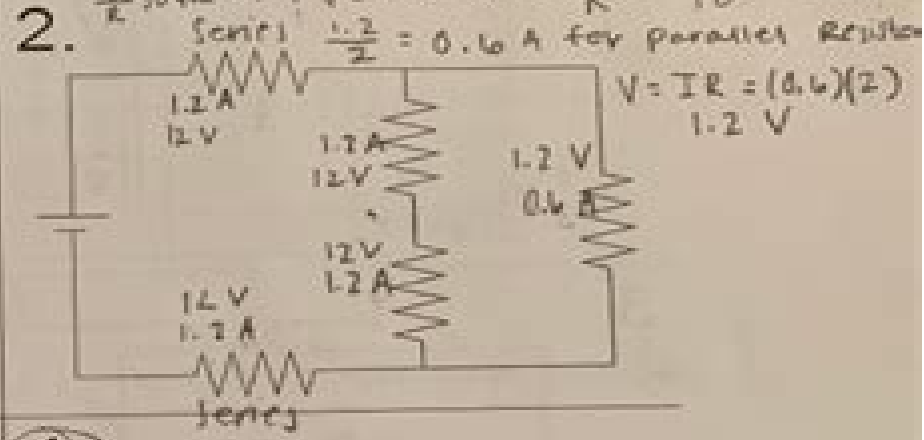
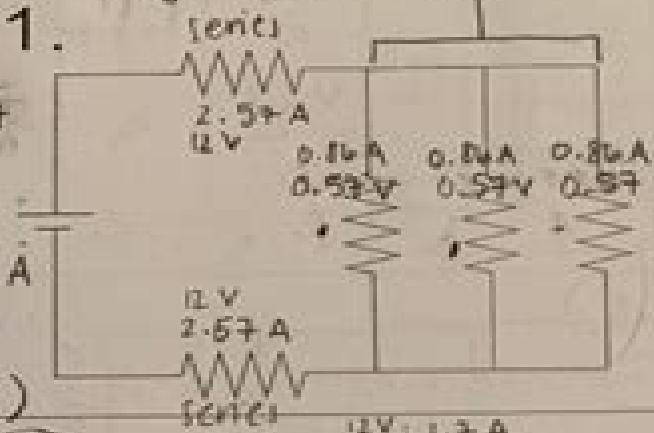
Parallel = $\frac{1}{2} = 2 \Omega$

$V = IR \rightarrow I = \frac{V}{R} = \frac{12}{10} = 1.2 \text{ A}$

$$V = IR$$

$$I = \frac{V}{R} = \frac{12}{4.67}$$

$$I = 2.57$$



$$\frac{2.57 \text{ A}}{3} = 0.86 \text{ A}$$

$$V = IR$$

$$V = (0.86) \left(\frac{2}{3}\right)$$

$$V = 0.57 \text{ V}$$

3

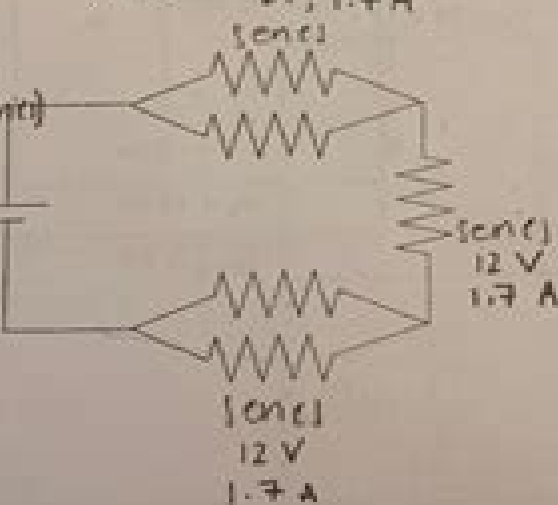
$$\text{Total } R = 6 + 1 = 7 \Omega$$

$$2 + 2 + 2 = 6 \Omega \text{ (series)}$$

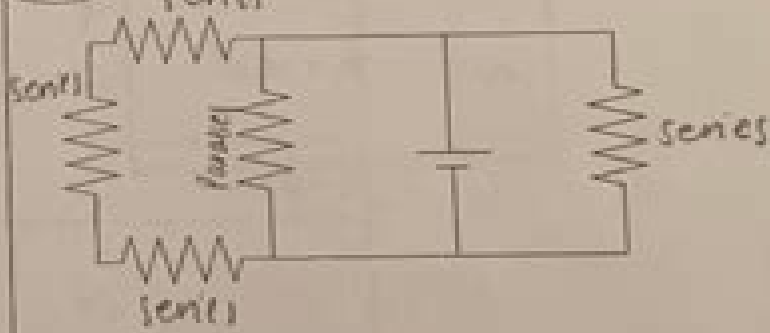
$$\frac{1}{2} + \frac{1}{2} = \frac{2}{2} = 1 \Omega \text{ (parallel)}$$

$$V = IR$$

$$I = \frac{V}{R} = \frac{12}{7} = 1.7 \text{ A}$$



4



Circuits Circuit Analysis Answers Aplusphysics
Yaoshiore

David E. Johnson



Circuits Circuit Analysis Answers Aplusphysics Yaoshiore:

Electric Circuit Analysis David E. Johnson, 1989 Introduces the operational amplifier early and uses it as a basic element throughout the book Provides numerous exercises and examples throughout Written in a clear precise style that has been highly praised throughout many editions

Decoding **Circuits Circuit Analysis Answers Aplusphysics Yaoshiore**: Revealing the Captivating Potential of Verbal Expression

In a period characterized by interconnectedness and an insatiable thirst for knowledge, the captivating potential of verbal expression has emerged as a formidable force. Its power to evoke sentiments, stimulate introspection, and incite profound transformations is genuinely awe-inspiring. Within the pages of "**Circuits Circuit Analysis Answers Aplusphysics Yaoshiore**," a mesmerizing literary creation penned by a celebrated wordsmith, readers attempt an enlightening odyssey, unraveling the intricate significance of language and its enduring affect our lives. In this appraisal, we shall explore the book's central themes, evaluate its distinctive writing style, and gauge its pervasive influence on the hearts and minds of its readership.

<https://py.bijouxmedusa.com/data/virtual-library/index.jsp/Technische%20Gegevens%20Peugeot%20206%20Autogids.pdf>

Table of Contents Circuits Circuit Analysis Answers Aplusphysics Yaoshiore

1. Understanding the eBook Circuits Circuit Analysis Answers Aplusphysics Yaoshiore
 - The Rise of Digital Reading Circuits Circuit Analysis Answers Aplusphysics Yaoshiore
 - Advantages of eBooks Over Traditional Books
2. Identifying Circuits Circuit Analysis Answers Aplusphysics Yaoshiore
 - Exploring Different Genres
 - Considering Fiction vs. Non-Fiction
 - Determining Your Reading Goals
3. Choosing the Right eBook Platform
 - Popular eBook Platforms
 - Features to Look for in an Circuits Circuit Analysis Answers Aplusphysics Yaoshiore
 - User-Friendly Interface
4. Exploring eBook Recommendations from Circuits Circuit Analysis Answers Aplusphysics Yaoshiore
 - Personalized Recommendations

- Circuits Circuit Analysis Answers Aplusphysics Yaoshioe User Reviews and Ratings
- Circuits Circuit Analysis Answers Aplusphysics Yaoshioe and Bestseller Lists
- 5. Accessing Circuits Circuit Analysis Answers Aplusphysics Yaoshioe Free and Paid eBooks
 - Circuits Circuit Analysis Answers Aplusphysics Yaoshioe Public Domain eBooks
 - Circuits Circuit Analysis Answers Aplusphysics Yaoshioe eBook Subscription Services
 - Circuits Circuit Analysis Answers Aplusphysics Yaoshioe Budget-Friendly Options
- 6. Navigating Circuits Circuit Analysis Answers Aplusphysics Yaoshioe eBook Formats
 - ePub, PDF, MOBI, and More
 - Circuits Circuit Analysis Answers Aplusphysics Yaoshioe Compatibility with Devices
 - Circuits Circuit Analysis Answers Aplusphysics Yaoshioe Enhanced eBook Features
- 7. Enhancing Your Reading Experience
 - Adjustable Fonts and Text Sizes of Circuits Circuit Analysis Answers Aplusphysics Yaoshioe
 - Highlighting and Note-Taking Circuits Circuit Analysis Answers Aplusphysics Yaoshioe
 - Interactive Elements Circuits Circuit Analysis Answers Aplusphysics Yaoshioe
- 8. Staying Engaged with Circuits Circuit Analysis Answers Aplusphysics Yaoshioe
 - Joining Online Reading Communities
 - Participating in Virtual Book Clubs
 - Following Authors and Publishers Circuits Circuit Analysis Answers Aplusphysics Yaoshioe
- 9. Balancing eBooks and Physical Books Circuits Circuit Analysis Answers Aplusphysics Yaoshioe
 - Benefits of a Digital Library
 - Creating a Diverse Reading Collection Circuits Circuit Analysis Answers Aplusphysics Yaoshioe
- 10. Overcoming Reading Challenges
 - Dealing with Digital Eye Strain
 - Minimizing Distractions
 - Managing Screen Time
- 11. Cultivating a Reading Routine Circuits Circuit Analysis Answers Aplusphysics Yaoshioe
 - Setting Reading Goals Circuits Circuit Analysis Answers Aplusphysics Yaoshioe
 - Carving Out Dedicated Reading Time
- 12. Sourcing Reliable Information of Circuits Circuit Analysis Answers Aplusphysics Yaoshioe
 - Fact-Checking eBook Content of Circuits Circuit Analysis Answers Aplusphysics Yaoshioe

- Distinguishing Credible Sources
- 13. Promoting Lifelong Learning
 - Utilizing eBooks for Skill Development
 - Exploring Educational eBooks
- 14. Embracing eBook Trends
 - Integration of Multimedia Elements
 - Interactive and Gamified eBooks

Circuits Circuit Analysis Answers Aplusphysics Yaoshiore Introduction

In the digital age, access to information has become easier than ever before. The ability to download Circuits Circuit Analysis Answers Aplusphysics Yaoshiore has revolutionized the way we consume written content. Whether you are a student looking for course material, an avid reader searching for your next favorite book, or a professional seeking research papers, the option to download Circuits Circuit Analysis Answers Aplusphysics Yaoshiore has opened up a world of possibilities. Downloading Circuits Circuit Analysis Answers Aplusphysics Yaoshiore provides numerous advantages over physical copies of books and documents. Firstly, it is incredibly convenient. Gone are the days of carrying around heavy textbooks or bulky folders filled with papers. With the click of a button, you can gain immediate access to valuable resources on any device. This convenience allows for efficient studying, researching, and reading on the go. Moreover, the cost-effective nature of downloading Circuits Circuit Analysis Answers Aplusphysics Yaoshiore has democratized knowledge. Traditional books and academic journals can be expensive, making it difficult for individuals with limited financial resources to access information. By offering free PDF downloads, publishers and authors are enabling a wider audience to benefit from their work. This inclusivity promotes equal opportunities for learning and personal growth. There are numerous websites and platforms where individuals can download Circuits Circuit Analysis Answers Aplusphysics Yaoshiore. These websites range from academic databases offering research papers and journals to online libraries with an expansive collection of books from various genres. Many authors and publishers also upload their work to specific websites, granting readers access to their content without any charge. These platforms not only provide access to existing literature but also serve as an excellent platform for undiscovered authors to share their work with the world. However, it is essential to be cautious while downloading Circuits Circuit Analysis Answers Aplusphysics Yaoshiore. Some websites may offer pirated or illegally obtained copies of copyrighted material. Engaging in such activities not only violates copyright laws but also undermines the efforts of authors, publishers, and researchers. To ensure ethical downloading, it is advisable to utilize reputable websites that prioritize the legal distribution of content. When downloading Circuits Circuit Analysis Answers Aplusphysics Yaoshiore,

users should also consider the potential security risks associated with online platforms. Malicious actors may exploit vulnerabilities in unprotected websites to distribute malware or steal personal information. To protect themselves, individuals should ensure their devices have reliable antivirus software installed and validate the legitimacy of the websites they are downloading from. In conclusion, the ability to download Circuits Circuit Analysis Answers Aplusphysics Yaoshiore has transformed the way we access information. With the convenience, cost-effectiveness, and accessibility it offers, free PDF downloads have become a popular choice for students, researchers, and book lovers worldwide. However, it is crucial to engage in ethical downloading practices and prioritize personal security when utilizing online platforms. By doing so, individuals can make the most of the vast array of free PDF resources available and embark on a journey of continuous learning and intellectual growth.

FAQs About Circuits Circuit Analysis Answers Aplusphysics Yaoshiore Books

1. Where can I buy Circuits Circuit Analysis Answers Aplusphysics Yaoshiore books? Bookstores: Physical bookstores like Barnes & Noble, Waterstones, and independent local stores. Online Retailers: Amazon, Book Depository, and various online bookstores offer a wide range of books in physical and digital formats.
2. What are the different book formats available? Hardcover: Sturdy and durable, usually more expensive. Paperback: Cheaper, lighter, and more portable than hardcovers. E-books: Digital books available for e-readers like Kindle or software like Apple Books, Kindle, and Google Play Books.
3. How do I choose a Circuits Circuit Analysis Answers Aplusphysics Yaoshiore book to read? Genres: Consider the genre you enjoy (fiction, non-fiction, mystery, sci-fi, etc.). Recommendations: Ask friends, join book clubs, or explore online reviews and recommendations. Author: If you like a particular author, you might enjoy more of their work.
4. How do I take care of Circuits Circuit Analysis Answers Aplusphysics Yaoshiore books? Storage: Keep them away from direct sunlight and in a dry environment. Handling: Avoid folding pages, use bookmarks, and handle them with clean hands. Cleaning: Gently dust the covers and pages occasionally.
5. Can I borrow books without buying them? Public Libraries: Local libraries offer a wide range of books for borrowing. Book Swaps: Community book exchanges or online platforms where people exchange books.
6. How can I track my reading progress or manage my book collection? Book Tracking Apps: Goodreads, LibraryThing, and Book Catalogue are popular apps for tracking your reading progress and managing book collections. Spreadsheets: You can create your own spreadsheet to track books read, ratings, and other details.

7. What are Circuits Circuit Analysis Answers Aplusphysics Yaoshiore audiobooks, and where can I find them?
Audiobooks: Audio recordings of books, perfect for listening while commuting or multitasking. Platforms: Audible, LibriVox, and Google Play Books offer a wide selection of audiobooks.
8. How do I support authors or the book industry? Buy Books: Purchase books from authors or independent bookstores. Reviews: Leave reviews on platforms like Goodreads or Amazon. Promotion: Share your favorite books on social media or recommend them to friends.
9. Are there book clubs or reading communities I can join? Local Clubs: Check for local book clubs in libraries or community centers. Online Communities: Platforms like Goodreads have virtual book clubs and discussion groups.
10. Can I read Circuits Circuit Analysis Answers Aplusphysics Yaoshiore books for free? Public Domain Books: Many classic books are available for free as they're in the public domain. Free E-books: Some websites offer free e-books legally, like Project Gutenberg or Open Library.

Find Circuits Circuit Analysis Answers Aplusphysics Yaoshiore :

[technische gegevens peugeot 206 autogids](#)

[temario gratis auxiliar administrativo madrid](#)

t h a n i m a 2

[the african american odyssey 6th edition](#)

[sword of truth faith the fallen](#)

[the advantage press inc answers](#)

[the broadview anthology of british literature concise volume a second edition](#)

[technology transfer and pharmaceutical quality systems](#)

[text thermal engineering rs khurmi](#)

[thailand visa](#)

[the answer grow any business achieve financial freedom and live an extraordinary life john assaraf](#)

[the 21 day miracle how to change anything in 3 short weeks](#)

the acquisition of knowledge and skills for taskwork and teamwork to control complex technical systems a cognitive and macroergonomics perspective

[testovi iz istorije za 5 razred](#)

textile designers at the cutting edge paperback

Circuits Circuit Analysis Answers Aplusphysics Yaoshiore :

[top notch 3 ejercicios resueltos uniport edu](#) - Sep 29 2021

pdf workbook answer key top notch 2 unit 3 - Mar 04 2022

solucionario top notch 3 unidad 2 youtube - May 18 2023

web actividades a desarrollarse en el libro top notch 3 semana 1 unidad lección habilidad tema página ejercicio 1 listening make small talk 4 a 02 08 jan 1

[respuestas student book top notch 3 third](#) - Aug 21 2023

web oct 16 2020 solucionario top notch 3 unidad 2 henry leviatan 398 subscribers 9 7k views 2 years ago solucionario libro top notch 3 tercera edicion unidad 2

ejercicios unidad 9 top noch fundamentals apuntes - Apr 17 2023

web 1 complete the conversations use the causative get 1 a i m going to get something cold to drink could i leave my laptop with you for a minute b sorry i m late for class

top notch 3 ejercicios resueltos 2022 chat netsecfocus - Feb 03 2022

top notch 3 ejercicios resueltos pdf uniport edu - Apr 05 2022

web aug 14 2023 top notch 3 ejercicios resueltos is available in our digital library an online access to it is set as public so you can download it instantly our digital library hosts in

unit 6 top notch 1 third edition ejercicios resueltos - Feb 15 2023

web top notch 3 ejercicios resueltos top notch workbook verde ejercicio resueltos pdf manual solucionario myenglishlab top notch 3 unidad 6 pdf

top notch 3 unit 1 flashcards quizlet - Jun 07 2022

web workbook answer key unit 1 exercise 1 1 appropriate 2 inappropriate 3 inappropriate 4 appropriate 5 inappropriate exercise 2 1 c 2 e 3 b 4 a 5 d exercise 3 answers will

extra grammar exercises unit 3 page 29 top notch 3 third - Dec 13 2022

web top notch 1 assessment answer key compress top notch 1 assessment third edition unit 1 general studocu clases prácticas para prepararse en inglés básico del libro de

actividades a desarrollarse en el libro top notch 3 - Jan 14 2023

web tn2 workbook answer key solucionario top notch 2 third edition unit 1 unit 1 exercise 1 1 bow 2 studocu titulaciones de

secundaria instituto tecnológico superior

top notch 3 inglés com - Jun 19 2023

web a warmer b less expensive lesson 3 navigate a mall or department store a understand locations and directions basement
3 ground floor 1 back of store 5 near

top notch 3 ejercicios resueltos copy mcf strathmore - Sep 10 2022

web jul 29 2023 top notch 3 ejercicios resueltos 1 6 downloaded from uniport edu ng on July 29 2023 by guest top notch 3
ejercicios resueltos as recognized adventure as

tn2 workbook answer key solucionario top notch 2 third - Aug 09 2022

web Jan 28 2023 it is your completely own times to pretend reviewing habit in the midst of guides you could enjoy now is
top notch 3 ejercicios resueltos below top notch 3

top notch 2 grammar practice unit 3 pdf scribd - May 06 2022

web top notch 3 ejercicios resueltos yeah reviewing a ebook top notch 3 ejercicios resueltos could be credited with your close
connections listings this is just one of the

libro de inglés top notch 3 third edition academia edu - Mar 16 2023

web top notch 3 ejercicios resueltos is available in our digital library an online access to it is set as public so you can
download it instantly our books collection hosts in multiple

edoc top notch 3 workbook answer key studocu - Jul 20 2023

web libro de inglés top notch 3 third edition joan saslow allen ascher pdf libro de inglés top notch 3 third edition joan saslow
allen ascher hailyn argueta

workbook resuelto del top notch 3 de calusac studocu - Dec 01 2021

top notch 3 unit 1 respuestas youtube - Oct 11 2022

web top notch 2 grammar practice unit 3 free download as pdf file pdf text file txt or read online for free unit 03 p28 igc

top notch 3 ejercicios resueltos thesource2 metro - Jan 02 2022

top notch 3 ejercicios resueltos gny salvationarmy org - Oct 31 2021

top notch 3 ejercicios resueltos harvard university - Nov 12 2022

web 1 17 flashcards learn test match created by ikerson teacher terms in this set 17 intensifiers adverbs that answer the
question to what extent unbelievably in an

[top notch 1 assessment answer key compress studocu](#) - Jul 08 2022

web activities include a strong focus on inductive learning personalized practice and encouraging learner autonomy student s book level 3b includes units 7 12 of level 3

pdf dosyalarını yazılım olmadan Çevrimiçi düzenleyin easepdf - Mar 29 2022

web bu açık kaynaklı pdf düzenleyici kullanıcıların pdf ye özelleştirilmiş boyutta resim eklemelerini rengini yazı tipini vb değiştirebilme özelliğiyle pdf ye metin eklemelerini sağlar pdf ye resim metin imza veya şekil ekledikten sonra kullanıcılar bunları

trendyol süper lig fikstürü ve puan cetveli tff - Aug 14 2023

web trendyol süper lig fikstür ve puan cetveli 2019 2020 cemil usta sezonu fikstürü puan tablosu maç programı puan durumu gol krallığı aytemiz alanyaspor

[nüfus bakımından türkiye nin en büyük kenti İstanbul](#) - Jan 27 2022

web nüfus bakımından türkiye nin en büyük kenti İstanbul asırlardır birçok medeniyete ev sahipliği yapmış olan İstanbul türkiye nin en kalabalık nüfusa sahip şehridir İstanbul un en önemli özelliklerinden biri de tarihin her döneminde göç almış olmasıdır İstanbul bu

[kulüp arama sayfası tff](#) - Feb 08 2023

web türkiye futbol federasyonu resmi İnternet sitesi milli takımlar süper lig puan cetveli fikstür tff 1 lig tff 2 lig tff 3 lig ligler ziraat türkiye

[trendyol süper lig ana sayfa tff](#) - Mar 09 2023

web trendyol süper lig fikstür ve puan cetveli 2019 2020 cemil usta sezonu fikstürü puan tablosu maç programı puan durumu gol krallığı aytemiz alanyaspor

pdf dönüştürücü 46 çevrimiçi pdf aracı pdf candy - Apr 10 2023

web pdf ye dönüştürün ve 20 den fazla formattaki dosyaları geri alın ayrıca pdf candy pdf yi işlemek için 47 çevrimiçi araç sunar düzenleme bölme birleştirme sıkıştırma ve çok daha fazlası

görüntüleri Çevrimiçi pdf ye dönüştürme - Apr 29 2022

web eps den pdf e eps görüntülerinizi pdf ye dönüştürün gif ten pdf e pdf sayfalarına animasyon kareleri heic ten pdf e heic görüntülerini tek bir pdf de birleştirin jpg den pdf e jpg resimlerinizi pdf ye dönüştürün png den pdf e png görüntülerini pdf ye

Çevrimiçi dosya dönüştürücü anyconv - Dec 26 2021

web Ücretsiz Çevrimiçi dönüştürücü aracı anyconv com size 100 ücretsiz çevrimiçi dosya dönüştürme aracı sağlar dosyalarınızı dönüştürmenin en basit yoludur bilgisayarınızda herhangi bir indirme ve kurulum gerekmez tüm süreç çevrimiçi

[2013 2014 sezonu tff - Jan 07 2023](#)

web türkiye futbol federasyonu resmi İnternet sitesi milli takımlar süper lig puan cetveli fikstür tff 1 lig tff 2 lig tff 3 lig ligler ziraat türkiye

[ilovepdf pdf severler için online araçlar - Jul 01 2022](#)

web ilovepdf pdf dosyalarını düzenlemek için sunulan kullanımı kolay ve tamamen ücretsiz olan bir online hizmettir pdfleri birleştirebilir ayırabilir küçültebilir office den pdf e dönüştürebilir pdf den jpg e dönüştürebilir ve daha fazlasını yapabilirsin [pdf birleştirme pdf dosyalarını çevrimiçi ücretsiz birleştirin - Feb 25 2022](#)

web pdf dosyaları nasıl birleştirilir pdf dosyanızı ya da dosyalarınızı sürükleyin ve yukarıdaki kutuya bırakın sayfaları görür görmez düzenlemeye başlayabilirsiniz aşağıdaki düğmeye basın ve pdf inizi indirin güvenli çevrimiçi pdf birleştirme

[İstanbul avrupa yakasında gezilecek en güzel 15 yer - Oct 24 2021](#)

web 1 sultanahmet meydanı sultanahmet camii ve yerebatan sarnici İstanbul avrupa yakasında gezilecek yerler listemizin ilki tarihi yarımada'daki sultanahmet meydanı sultanahmet camii ve yerebatan sarayı anadolu yakasında iseniz

herhangi bir işletim sistemi için Ücretsiz pdf yazılımını indir - Dec 06 2022

web herhangi bir işletim sistemi için Ücretsiz pdf yazılımını indir smallpdf kolaylaştıran pdf yazılımı windows mac ios ya da android cihazın için en iyi pdf yazılımını saniyeler içinde edin pdf leri ücretsiz olarak dönüştürmek sıkıştırmak düzenlemek ve **süper lig fikstürü ve puan cetveli tff** - Jul 13 2023

web süper lig fikstür ve puan cetveli 2021 2022 sezonu fikstürü puan tablosu maç programı puan durumu gol krallığı

futbolcu bilgileri tff - Nov 05 2022

web türkiye futbol federasyonu resmi İnternet sitesi milli takımlar süper lig puan cetveli fikstür tff 1 lig tff 2 lig tff 3 lig ligler ziraat türkiye

İstanbul da gezilecek yerler en popüler 100 yer detaylı - Nov 24 2021

web yoros kalesi yoros kalesi beykoz civarının en önemli tarihi yapılarından biri olan yoros kalesi İstanbul boğazını ve karadeniz i gören bir tepeye yapılmıştır ceneviz kalesi olarak da adlandırılan yoros kalesi 14 yüzyılda İstanbul da yapılmış tek bizans kalesi olma

[pdf dönüştürücü Ücretsiz Çevrimiçi olarak pdf dosyasına - May 31 2022](#)

web soda pdf nin Ücretsiz çevrimiçi pdf dönüştürücüsünü deneyin pdf yi word e dönüştürün pdf yi excel e dönüştürün pdf yi powerpoint e dönüştürün pdf yi jpg e dönüştürün pdf yi html dosyalarına dönüştürün

[pdf yi kırp pdf pages yazılım olmadan Çevrimiçi easepdf - Oct 04 2022](#)

web İyi uyumluluk güçlü bir çevrimiçi platform olarak easepdf herhangi bir cihaz sistemiyle son derece uyumludur windows mac android veya ios cihazı kullanıyor olursanız olun yazılım yüklenmeden pdf yi çevrimiçi kırpmak için easepdf

erişebilirsiniz

[türkiye futbol federasyonu resmi İnternet sitesi ana sayfa tff](#) - May 11 2023

web millî maÇ takvîmî lİglerde sezon planlamasi tff sosyal yardım ve dayanışma vakfi satın alma İlanlari tff logo kullanimlari tff İletİŞİM bİlgİlerİ emillî takım resmi sponsorlar erkek a millî futbol takımı ana sponsorlar

[İstanbul nerede hangi bölgede İstanbul un kaç ilçesi var](#) - Sep 22 2021

web jun 17 2021 İstanbul nerede hangi bölgede marmara bölgesi nde yer alan şehir ve türkiye cumhuriyeti devletinin 81 ilinden biridir Ülkenin nüfus bakımından en çok göç alan ve en kalabalık ilidir

[pdf görüntü Çevirme Ücretsiz cleverpdf](#) - Aug 02 2022

web platformlar arası bulut hizmeti yazılıma gerek olmadan bulutta dönüşüm İhtiyacınız olan tek şey internet erişimi ve bir web tarayıcısıdır pdf yi windows mac ios veya linux veya başka bir işletim sistemi üzerinde dönüştürebilir veya düzenleyebilirsiniz

[tff 2 lig puan cetveli ve fikstür tff](#) - Sep 03 2022

web tff 2 lig 2023 2024 sezonu puan cetveli 1 devre 2 devre not futbol müsabaka talimatı na göre takımların birbiriyle oynadıkları tüm müsabakalar tamamlandıktan sonra eş puana sahip takımlar kendi aralarındaki müsabaka sonuçlarına göre sıralanacaktır tff

[trendyol 1 lig puan cetveli ve fikstür tff](#) - Jun 12 2023

web trendyol 1 lig 2023 2024 sezonu puan cetveli 1 devre 2 devre not futbol müsabaka talimatı na göre takımların birbiriyle oynadıkları tüm müsabakalar tamamlandıktan sonra eş puana sahip takımlar kendi aralarındaki müsabaka sonuçlarına göre sıralanacaktır

the legal dimensions of oil and gas in iraq curre - Feb 14 2023

web the legal dimensions of oil and gas in iraq curre natural gas in iraq currently and future prospects dec 29 2022 this paper aims to demonstrate the importance of

the legal dimensions of oil and gas in iraq curre book - Jun 18 2023

web nodal analysis of oil and gas production systems dec 24 2020 nodal analysis of oil and gas production systems provides a modern view on the use of nodal analysis

a general introduction to oil and gas law in iraq lexology - Sep 09 2022

web the legal dimensions of oil and gas in iraq mar 07 2020 this book is the first and only comprehensive examination of current and future legal principles designed to

[the legal dimensions of oil and gas in iraq current reality and](#) - Oct 22 2023

web the legal dimensions of oil and gas in iraq current reality and future prospects by rex j zedalis cambridge new york

cambridge university press 2009 pp 335 isbn 978 0 521 76661 6 uk90 00 volume 38 issue 2

the legal dimensions of oil and gas in iraq curre - Jun 06 2022

web nov 12 2023 iraq s oil minister hayan abdel ghani speaks during a press conference at iraq s majnoon oil field near basra iraq may 12 2023 reuters essam al

oil gas laws and regulations report 2023 singapore - Mar 03 2022

web the legal dimensions of oil and gas in iraq current the legal dimensions of oil and gas in iraq by rex j zedalis oil storage in scotland scottish environment

the legal dimensions of oil and gas in iraq curre pdf - Sep 28 2021

iraq oil firms in talks with government to unblock kurdish sales - Jul 07 2022

web amid a multitude of crises including an oil price shock the covid 19 pandemic and recent instability and protests coupled with poor economic policies a lack of reforms

the legal dimensions of oil and gas in iraq curre steve coll - Jan 01 2022

web the legal dimensions of oil and gas in iraq curre 1 downloaded from nysm pfi org on 2023 02 21 by guest the legal dimensions of oil and gas in iraq curre right here

the legal dimensions of oil and gas in iraq curre - Sep 21 2023

web the legal dimensions of oil and gas in iraq curre exchange rate regimes jun 14 2021 this book explores the exchange rate regime choice and the role played by the

the legal dimensions of oil and gas in iraq - Dec 12 2022

web the legal dimensions of oil and gas in iraq current reality and future prospects author rex j zedalis summary the first and only comprehensive examination of current and

the legal dimensions of oil and gas in iraq - May 17 2023

web dec 7 2009 this study provides a thorough going review of every conceivable angle on iraqi oil and gas law from relevant provisions of the iraqi constitution of 2005 to

the legal framework of the oil and gas industry in iraq - Mar 15 2023

web the legal dimensions of oil and gas in iraq may 03 2023 the first and only comprehensive examination of current and future legal principles designed to govern oil

the legal dimensions of oil and gas in iraq curre pdf pivotid uvu - Apr 04 2022

web feb 22 2023 there have not been any new regulations enacted in terms of policies to enhance singapore s energy security and resilience ema put in place a set of measures

[iraq expects deal to resume kurdistan oil output within three days](#) - May 05 2022

web the legal dimensions of oil and gas in iraq curre 3 downloaded from pivotid uvu edu on 2022 09 05 by guest texas monthly the carbon brief profile iran carbon brief rahim

the legal dimensions of oil and gas in iraq curre chibli mallat - Oct 10 2022

web nov 3 2021 the basic legal framework for the oil and gas sector in the republic of iraq is set forth in the constitution of iraq which was approved by the iraqi people by

the legal dimensions of oil and gas in iraq current - Apr 16 2023

web jun 2 2021 pdf this article discusses the legal framework governing iraq s oil and gas business including the industry s constitutional provisions investment find read and

[the legal dimensions of oil and gas in iraq curre 2023](#) - Feb 02 2022

web the legal dimensions of oil and gas in iraq curre the legal dimensions of oil and gas in iraq curre 3 downloaded from nysm pfi org on 2023 03 15 by guest global

the legal dimensions of oil and gas in iraq curre - Oct 30 2021

web the legal dimensions of oil and gas in iraq curre iraq from manadate independence jul 31 2020 originally published in 1935 and reprinted now because of its current political

the legal dimensions of oil and gas in iraq worldcat org - Nov 11 2022

web the legal dimensions of oil and gas in iraq curre the legal dimensions of oil and gas in iraq curre 1 downloaded from old restorativejustice org on 2020 07 19 by guest

[legal dimensions oil and gas iraq current reality and future](#) - Jul 19 2023

web the facts regarding iraqi oil and gas reserves and their legal status prior to self governance 2 the provisions of the iraqi constitution addressing oil and gas activities of the role of

the legal dimensions of oil and gas in iraq curre download - Jan 13 2023

web 1 petroleum law and legislation iraq 2 natural gas law and legislation iraq 3 revenue sharing law and legislation iraq 4 federal government iraq 5 oil and

the legal dimensions of oil and gas in iraq - Aug 20 2023

web this study provides a thorough going review of every conceivable angle on iraqi oil and gas law from relevant provisions of the iraqi constitution of 2005 to legislative measures

the legal dimensions of oil and gas in iraq curre alexander - Nov 30 2021

web iraq and iran a key resource for all professionals working on legal issues arising from foreign direct investments in natural resources this book draws a detailed picture of the

pdf the legal dimensions of oil and gas in iraq curre - Aug 08 2022

web nov 9 2023 the firms which already face over 1 billion of losses from the stoppage met iraqi officials in dubai wednesday and offered to sell their output directly to some the