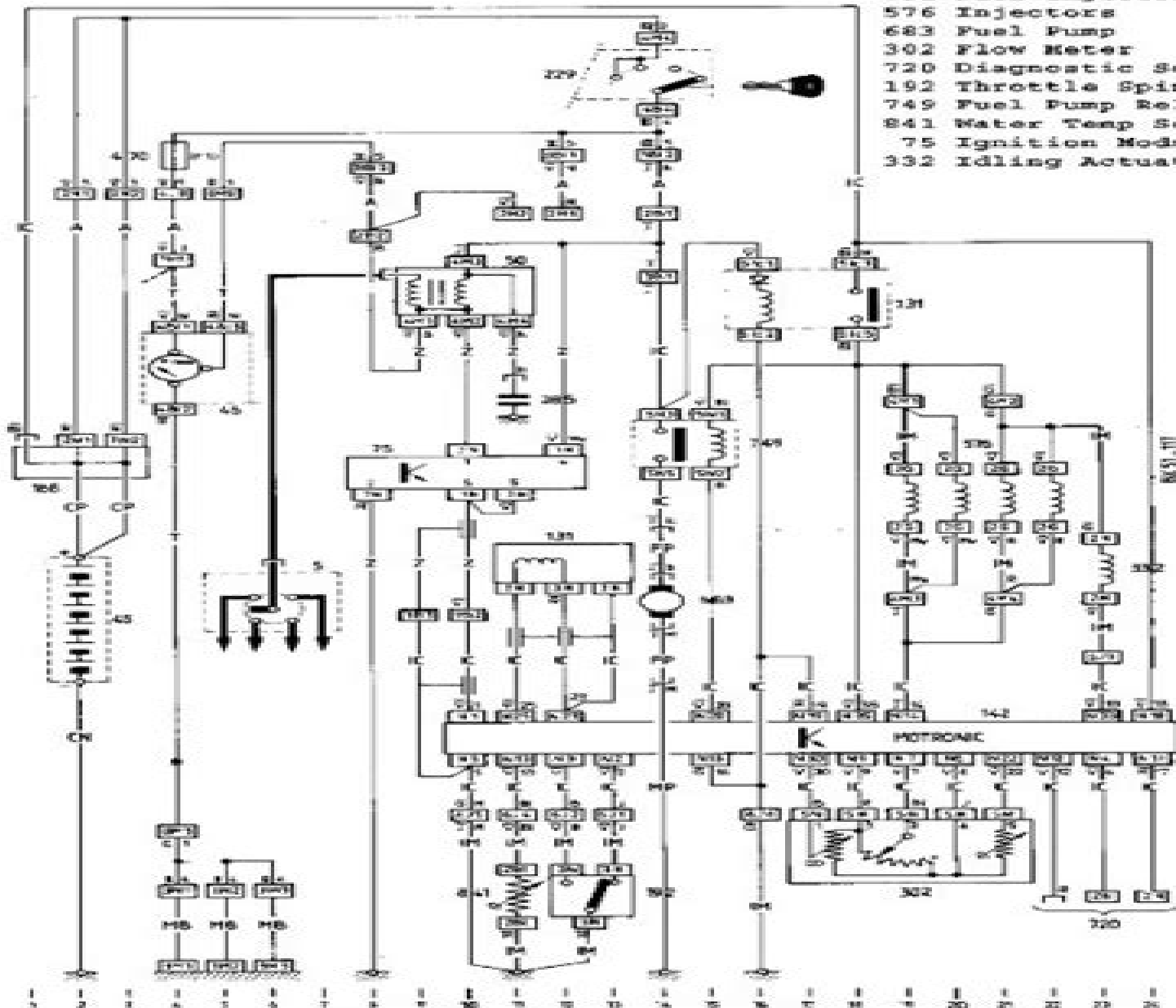


- 131 Ignition Sensor
- 731 Fuel Injector Relay
- 536 Injectors
- 683 Fuel Pump
- 302 Flow Meter
- 720 Diagnostic Socket
- 193 Throttle Spindle Switch
- 749 Fuel Pump Relay
- 841 Water Temp Sensor
- 79 Ignition Module
- 303 Idling Actuator



RM 51.111

Citroen Relay 05 Engine Diagram

Mark Steyvers



Citroen Relay 05 Engine Diagram:

Yeah, reviewing a ebook **Citroen Relay 05 Engine Diagram** could accumulate your near associates listings. This is just one of the solutions for you to be successful. As understood, exploit does not suggest that you have fantastic points.

Comprehending as without difficulty as bargain even more than supplementary will give each success. next to, the notice as without difficulty as insight of this Citroen Relay 05 Engine Diagram can be taken as competently as picked to act.

<https://py.bijouxmedusa.com/results/book-search/default.aspx/Handbook%20For%20Teaching%20Practice%20Shbietps.pdf>

Table of Contents Citroen Relay 05 Engine Diagram

1. Understanding the eBook Citroen Relay 05 Engine Diagram
 - The Rise of Digital Reading Citroen Relay 05 Engine Diagram
 - Advantages of eBooks Over Traditional Books
2. Identifying Citroen Relay 05 Engine Diagram
 - Exploring Different Genres
 - Considering Fiction vs. Non-Fiction
 - Determining Your Reading Goals
3. Choosing the Right eBook Platform
 - Popular eBook Platforms
 - Features to Look for in an Citroen Relay 05 Engine Diagram
 - User-Friendly Interface
4. Exploring eBook Recommendations from Citroen Relay 05 Engine Diagram
 - Personalized Recommendations
 - Citroen Relay 05 Engine Diagram User Reviews and Ratings
 - Citroen Relay 05 Engine Diagram and Bestseller Lists
5. Accessing Citroen Relay 05 Engine Diagram Free and Paid eBooks
 - Citroen Relay 05 Engine Diagram Public Domain eBooks
 - Citroen Relay 05 Engine Diagram eBook Subscription Services

- Citroen Relay 05 Engine Diagram Budget-Friendly Options
- 6. Navigating Citroen Relay 05 Engine Diagram eBook Formats
 - ePub, PDF, MOBI, and More
 - Citroen Relay 05 Engine Diagram Compatibility with Devices
 - Citroen Relay 05 Engine Diagram Enhanced eBook Features
- 7. Enhancing Your Reading Experience
 - Adjustable Fonts and Text Sizes of Citroen Relay 05 Engine Diagram
 - Highlighting and Note-Taking Citroen Relay 05 Engine Diagram
 - Interactive Elements Citroen Relay 05 Engine Diagram
- 8. Staying Engaged with Citroen Relay 05 Engine Diagram
 - Joining Online Reading Communities
 - Participating in Virtual Book Clubs
 - Following Authors and Publishers Citroen Relay 05 Engine Diagram
- 9. Balancing eBooks and Physical Books Citroen Relay 05 Engine Diagram
 - Benefits of a Digital Library
 - Creating a Diverse Reading Collection Citroen Relay 05 Engine Diagram
- 10. Overcoming Reading Challenges
 - Dealing with Digital Eye Strain
 - Minimizing Distractions
 - Managing Screen Time
- 11. Cultivating a Reading Routine Citroen Relay 05 Engine Diagram
 - Setting Reading Goals Citroen Relay 05 Engine Diagram
 - Carving Out Dedicated Reading Time
- 12. Sourcing Reliable Information of Citroen Relay 05 Engine Diagram
 - Fact-Checking eBook Content of Citroen Relay 05 Engine Diagram
 - Distinguishing Credible Sources
- 13. Promoting Lifelong Learning
 - Utilizing eBooks for Skill Development
 - Exploring Educational eBooks
- 14. Embracing eBook Trends

- Integration of Multimedia Elements
- Interactive and Gamified eBooks

Citroen Relay 05 Engine Diagram Introduction

In the digital age, access to information has become easier than ever before. The ability to download Citroen Relay 05 Engine Diagram has revolutionized the way we consume written content. Whether you are a student looking for course material, an avid reader searching for your next favorite book, or a professional seeking research papers, the option to download Citroen Relay 05 Engine Diagram has opened up a world of possibilities. Downloading Citroen Relay 05 Engine Diagram provides numerous advantages over physical copies of books and documents. Firstly, it is incredibly convenient. Gone are the days of carrying around heavy textbooks or bulky folders filled with papers. With the click of a button, you can gain immediate access to valuable resources on any device. This convenience allows for efficient studying, researching, and reading on the go. Moreover, the cost-effective nature of downloading Citroen Relay 05 Engine Diagram has democratized knowledge. Traditional books and academic journals can be expensive, making it difficult for individuals with limited financial resources to access information. By offering free PDF downloads, publishers and authors are enabling a wider audience to benefit from their work. This inclusivity promotes equal opportunities for learning and personal growth. There are numerous websites and platforms where individuals can download Citroen Relay 05 Engine Diagram. These websites range from academic databases offering research papers and journals to online libraries with an expansive collection of books from various genres. Many authors and publishers also upload their work to specific websites, granting readers access to their content without any charge. These platforms not only provide access to existing literature but also serve as an excellent platform for undiscovered authors to share their work with the world. However, it is essential to be cautious while downloading Citroen Relay 05 Engine Diagram. Some websites may offer pirated or illegally obtained copies of copyrighted material. Engaging in such activities not only violates copyright laws but also undermines the efforts of authors, publishers, and researchers. To ensure ethical downloading, it is advisable to utilize reputable websites that prioritize the legal distribution of content. When downloading Citroen Relay 05 Engine Diagram, users should also consider the potential security risks associated with online platforms. Malicious actors may exploit vulnerabilities in unprotected websites to distribute malware or steal personal information. To protect themselves, individuals should ensure their devices have reliable antivirus software installed and validate the legitimacy of the websites they are downloading from. In conclusion, the ability to download Citroen Relay 05 Engine Diagram has transformed the way we access information. With the convenience, cost-effectiveness, and accessibility it offers, free PDF downloads have become a popular choice for students, researchers, and book lovers worldwide. However, it is crucial to engage in ethical downloading practices and prioritize personal security when utilizing online platforms. By

doing so, individuals can make the most of the vast array of free PDF resources available and embark on a journey of continuous learning and intellectual growth.

FAQs About Citroen Relay 05 Engine Diagram Books

How do I know which eBook platform is the best for me? Finding the best eBook platform depends on your reading preferences and device compatibility. Research different platforms, read user reviews, and explore their features before making a choice. Are free eBooks of good quality? Yes, many reputable platforms offer high-quality free eBooks, including classics and public domain works. However, make sure to verify the source to ensure the eBook credibility. Can I read eBooks without an eReader? Absolutely! Most eBook platforms offer webbased readers or mobile apps that allow you to read eBooks on your computer, tablet, or smartphone. How do I avoid digital eye strain while reading eBooks? To prevent digital eye strain, take regular breaks, adjust the font size and background color, and ensure proper lighting while reading eBooks. What the advantage of interactive eBooks? Interactive eBooks incorporate multimedia elements, quizzes, and activities, enhancing the reader engagement and providing a more immersive learning experience. Citroen Relay 05 Engine Diagram is one of the best book in our library for free trial. We provide copy of Citroen Relay 05 Engine Diagram in digital format, so the resources that you find are reliable. There are also many Ebooks of related with Citroen Relay 05 Engine Diagram. Where to download Citroen Relay 05 Engine Diagram online for free? Are you looking for Citroen Relay 05 Engine Diagram PDF? This is definitely going to save you time and cash in something you should think about. If you trying to find then search around for online. Without a doubt there are numerous these available and many of them have the freedom. However without doubt you receive whatever you purchase. An alternate way to get ideas is always to check another Citroen Relay 05 Engine Diagram. This method for see exactly what may be included and adopt these ideas to your book. This site will almost certainly help you save time and effort, money and stress. If you are looking for free books then you really should consider finding to assist you try this. Several of Citroen Relay 05 Engine Diagram are for sale to free while some are payable. If you arent sure if the books you would like to download works with for usage along with your computer, it is possible to download free trials. The free guides make it easy for someone to free access online library for download books to your device. You can get free download on free trial for lots of books categories. Our library is the biggest of these that have literally hundreds of thousands of different products categories represented. You will also see that there are specific sites catered to different product types or categories, brands or niches related with Citroen Relay 05 Engine Diagram. So depending on what exactly you are searching, you will be able to choose e books to suit your own need. Need to access completely for Campbell Biology Seventh Edition book? Access Ebook without any digging. And by having access to our ebook online or by storing it on your

computer, you have convenient answers with Citroen Relay 05 Engine Diagram To get started finding Citroen Relay 05 Engine Diagram, you are right to find our website which has a comprehensive collection of books online. Our library is the biggest of these that have literally hundreds of thousands of different products represented. You will also see that there are specific sites catered to different categories or niches related with Citroen Relay 05 Engine Diagram So depending on what exactly you are searching, you will be able to choose ebook to suit your own need. Thank you for reading Citroen Relay 05 Engine Diagram. Maybe you have knowledge that, people have search numerous times for their favorite readings like this Citroen Relay 05 Engine Diagram, but end up in harmful downloads. Rather than reading a good book with a cup of coffee in the afternoon, instead they juggled with some harmful bugs inside their laptop. Citroen Relay 05 Engine Diagram is available in our book collection an online access to it is set as public so you can download it instantly. Our digital library spans in multiple locations, allowing you to get the most less latency time to download any of our books like this one. Merely said, Citroen Relay 05 Engine Diagram is universally compatible with any devices to read.

Find Citroen Relay 05 Engine Diagram :

handbook for teaching practice shbietps

holt physics problem answers

handbook of timing belts and pulleys

holt geometry chapter test answer key

holt environmental science biodiversity test answer key

[he came to set the captives pdf](#)

haberman mathematical models solutions

historie vg3 fasit

guru nanak dev ji history in punjabi language

hal leonard

holt physics section quiz fluid answer key

history of the filipino people by teodoro agoncillo latest edition

[history alive ancient world workbook answers](#)

heat treaters guide asm international

[holt mcdougal coordinate algebra unit 1 answers](#)

Citroen Relay 05 Engine Diagram :

midnight s children the iconic by rushdie salman - May 09 2023

web reissued to mark the 40th anniversary of rushdie s masterpiece this edition carries a new introduction written for the occasion with a new 40th anniversary introduction by the author born at the stroke of midnight at the exact moment of india s independence saleem sinai is a special child

midnight s children salman rushdie google books - Jul 31 2022

web salman rushdie vintage books 2011 children of the rich 647 pages born at the stroke of midnight at the exact moment of india s independence saleem sinai is a special child

midnight s children vintage classics booktopia - Sep 13 2023

web booktopia has midnight s children vintage classics winner of the 1981 man Booker prize by salman rushdie buy a discounted paperback of midnight s children vintage classics online from australia s leading online bookstore

vintage quarterbound classics beautiful books - May 29 2022

web vintage classics is releasing a new range of hardbound gift books called the vintage quarterbound series with the first books hitting the shelves in october 2023 the books are quarter bound with different rich colors of cloth the covers feature contemporary illustrations and the books include a red silk ribbon bookmark and other

midnight s children vintage classics abebooks - Feb 06 2023

web a vintage future classic reading guide edition born at the stroke of midnight at the exact moment of india s independence saleem sinai is a special child however this coincidence of birth has consequences he is not prepared for telepathic powers connect him with 1 000 other midnight s children all of whom are endowed with unusual gifts

midnight s children vintage classics by salman rushdie 2008 - Apr 08 2023

web buy midnight s children vintage classics by salman rushdie 2008 05 01 by isbn from amazon s book store everyday low prices and free delivery on eligible orders

midnight s children by salman rushdie penguin books australia - Jun 29 2022

web nov 24 1995 the extraordinary alchemy of midnight s children was its miraculous fusion of the fantastical and the historical jereme boyd maunsell evening standard a wonderful rich and humane novel that is safe to call a classic sam jordison guardian

midnight s children vintage classics book world ireland - Oct 02 2022

web winner of the booker and best of the booker prize a bbc between the covers big jubilee read pick a wonderful rich and humane novel a classic guardian born at the stroke of midnight at the exact moment of india s independence saleem sinai is a special child

midnight s children film wikipedia - Apr 27 2022

web midnight s children is a 2012 film adaptation of salman rushdie s 1981 novel of the same name the film features an ensemble cast of satya bhabha shriya saran siddharth ronit roy anupam kher shabana azmi kulbhushan kharbanda seema biswas shahana goswami samrat chakrabarti rahul bose soha ali khan anita

midnight s children penguin books uk - Dec 04 2022

web a beautiful hardback edition of a modern indian classic and winner of the best of the booker the best novel from booker prize history born at the stroke of midnight at the exact moment of india s independence saleem sinai is a special child

midnight s children vintage classics abebooks - Jun 10 2023

web aug 15 2012 midnight s children vintage classics stock image stock image view larger image midnight s children vintage classics 115 668 ratings by goodreads isbn 10 0099511894 isbn 13 9780099511892 published by 2008 used condition very good soft cover save for later from

midnight s children the iconic booker prize winning novel from - Mar 07 2023

web a beautiful hardback edition of a modern classic and winner of the best of the booker the best novel from booker prize history born at the stroke of midnight at the exact moment of india s independence saleem sinai is a special child

editions of midnight s children by salman rushdie goodreads - Jul 11 2023

web mar 12 1981 midnight s children paperback published april 4th 2006 by random house trade paperbacks 25th anniversary edition modern library 100 best novels paperback 536 pages more details want to read rate this book 1 of 5 stars 2 of 5 stars 3 of 5 stars 4 of 5 stars 5 of 5 stars

midnight s children vintage classics by salman rushdie 2008 - Aug 12 2023

web may 1 2008 midnight s children vintage classics by salman rushdie 2008 05 01 on amazon com free shipping on qualifying offers midnight s children vintage classics by salman rushdie 2008 05 01

midnight s children the iconic booker prize winning novel from - Oct 14 2023

web may 1 2008 buy midnight s children the iconic booker prize winning novel from bestselling author salman rushdie vintage classics by rushdie salman from amazon s fiction books store everyday low prices on a huge range of

[midnight s children salman rushdie 9780099511892 abebooks](#) - Jan 05 2023

web midnight s children by salman rushdie isbn 10 0099511894 isbn 13 9780099511892 vintage 2008 softcover

midnight s children wikipedia - Nov 03 2022

web midnight s children is a 1981 novel by indian british writer salman rushdie published by jonathan cape with cover design by bill botten about india s transition from british colonial rule to independence and partition

midnight s children tv series imdb - Mar 27 2022

web midnight s children based on salman rushdie s novel follows the story saleem sinai born on the day of india s independence with telepathic powers that link him with the 1 000 other children born that day

midnight s children 2012 imdb - Feb 23 2022

web dec 26 2012 midnight s children directed by deepa mehta with rajat kapoor vansh bhardwaj anupam kher neha mahajan a pair of children born within moments of india gaining independence from britain grow up in the country that is midnight s children a bbc between the covers big jubilee - Sep 01 2022

web classic fiction buy new 376 00 m r p 599 00 save 223 00 37 inclusive of all taxes free delivery tuesday 10 october on your first order details or fastest delivery tomorrow 8 october order within 4 hrs 18 mins details select delivery location in stock sold by amazing buy and fulfilled by amazon quantity add to cart buy now

die weisse rose die zeit des nationalsozialismus pdf - Aug 23 2021

die weiße rose nationalsozialismus zeitklicks - Jun 13 2023

web die weiße rose die zeit des nationalsozialismus schwarze reihe scholl inge aichinger ilse isbn 9783596118021

kostenloser versand für alle bücher mit versand

nationalsozialismus die vielen leben der sophie scholl die zeit - Dec 27 2021

weiße rose news bilder geschichte - Nov 06 2022

web die weiße rose die zeit des nationalsozialismus schwarze reihe ebook scholl inge aichinger ilse amazon de kindle store

in und außerhalb des militärs gab es widerstand im - Oct 25 2021

die weiße rose die zeit des nationalsozialismus schwarze - Mar 10 2023

web aug 24 2021 hans leipelt verteilte flugblätter der weißen rose in hamburg die nazis ließen ihn dafür mit dem leben bezahlen porträt eines mutigen

die weiße rose die zeit des nationalsozialismus schwarze - Aug 03 2022

web sep 1 2022 was ist die weiße rose weiße rose ist der name einer der bekanntesten widerstandsgruppen dieser zeit die mitglieder der weißen rose hatten eine andere

weiße rose flugblätter nationalsozialismus - Jan 08 2023

web die weiße rose wurde zum symbol einer aktion mit der einige münchner studenten zum widerstand gegen die diktatur hitlers aufriefen sie bezahlten dafür mit ihrem leben im

die weisse rose die zeit des nationalsozialismus opendoors - Sep 23 2021

sophie scholl und der widerstand der weißen rose mdr de - Sep 04 2022

web eine weiße rose das symbol der widerstandsgruppe die studenten hans und sophie scholl und ihre freunde christoph probst alexander schmorell willi graf und der

an die gefahr dachten wir nicht zeit online - Feb 09 2023

web feb 22 2023 februar 1943 in münchen hingerichtet verbunden mit ihre namen ist die widerstandsgruppe weiße rose die für den kampf gegen das nazi regime ihr leben

die weiße rose die zeit des nationalsozialismus schwarze - May 12 2023

web in den jahren 1942 43 verbreitete die münchner gruppe weiße rose sechs flugblätter gegen das ns regime den kern der gruppe bildeten die studenten hans und sophie

die weiße rose die zeit des nationalsozialismus - Oct 05 2022

web feb 18 2018 mitte 1942 gingen sie zum aktiven widerstand gegen den nationalsozialismus über prangerten krieg und ns verbrechen in flugblättern an

die weiße rose die zeit des nationalsozialismus schwarze - Jun 01 2022

web may 1 2021 mai 2021 19 54 uhr kurz war das leben der sophie scholl es umfasste nur 21 jahre lang ist schon jetzt ihr nachleben im kulturellen gedächtnis ihr kurzes leben

was war die weiße rose kindersache - Feb 26 2022

web die weisse rose die weiße rose tragische helden der freiheit im nationalsozialismus die weisse rose die flugblätter der weißen rose als

vor 80 jahren ermordung von hans und sophie scholl bpb de - Jul 02 2022

web oct 25 2011 hardcover from 32 10 1 used from 32 10 die weiße rose wurde zum symbol einer aktion mit der einige münchner studenten zum widerstand gegen die

die weiße rose die zeit des nationalsozialismus schwarze - Jan 28 2022

web die weisse rose die zeit des nationalsozialismus a short history of opera nov 04 2021 when first published in 1947 a short history of opera immediately achieved

nationalsozialismus weiße rose planet wissen - Aug 15 2023

web feb 5 2021 weiße rose die wohl bekannteste widerstandsgruppe gegen das ns regime ist die weiße rose zu der auch die geschwister sophie und hans scholl

widerstandsgruppe um geschwister scholl das ende der - Apr 30 2022

web mar 10 2023 die weiße rose hatte ab dem sommer 1942 an der universität münchen mit flugblättern zum widerstand gegen den nationalsozialismus und zur beendigung des

weiße rose mitglieder nationalsozialismus planet - Dec 07 2022

web am 22 februar 1943 wurden die geschwister hans und sophie scholl in münchen von nationalsozialisten hingerichtet die beiden mitglieder der widerstandsgruppe weiße

letzte Überlebende der weißen rose ist tot dw com - Nov 25 2021

weiße rose wikipedia - Jul 14 2023

weiße rose nannte sich eine in ihrem kern von studenten dominierte sich wesentlich auf christliche und humanistische werte aus der tradition der bündischen jugend berufende deutsche widerstandsgruppe gegen die diktatur des nationalsozialismus sie entstand in der zeit des zweiten weltkriegs auf initiative eines freundeskreises um hans scholl und alexander schmorell ab juni 1942 in münchen zwischen ende februar und april 1943 wurde sie mit der enttarnung ve

widerstand im nationalsozialismus die weiße rose der krieg - Mar 30 2022

web sep 12 2023 in und außerhalb des militärs gab es widerstand im nationalsozialismus ein beispiel ist die gruppe weiße rose der kern der gruppe bestand aus

lemo der zweite weltkrieg widerstand im zweiten weltkrieg - Apr 11 2023

web die weiße rose die zeit des nationalsozialismus schwarze reihe scholl inge aichinger ilse amazon de books

franzosisch thai thai franzosisch wörterbuch pdf uniport edu - Nov 06 2022

web jul 29 2023 franzosisch thai thai franzosisch wörterbuch 1 5 downloaded from uniport edu ng on july 29 2023 by guest franzosisch thai thai franzosisch wörterbuch right here we have countless books franzosisch thai thai franzosisch wörterbuch and collections to check out we additionally offer variant types and after that type of the

thailand französisch Übersetzung deutsch französisch wörterbuch - Dec 07 2022

web thailand Übersetzung deutsch französisch wörterbuch siehe auch thailand thailänder thailändisch taiwan biespiele konjugation

thai französisch Übersetzung linguae wörterbuch - Mar 10 2023

web viele übersetzte beispielsätze mit thai französisch deutsch wörterbuch und suchmaschine für millionen von französisch Übersetzungen

französische Übersetzung von thai cuisine collins englisch - Dec 27 2021

web französische Übersetzung von thai cuisine der offizielle collins englisch französisch wörterbuch online Über 100 000 französische Übersetzungen von englische wörtern und ausdrücken

thai französisch Übersetzer cambridge - Jul 14 2023

web kostenloser thai zu französisch Übersetzer mit audio Übersetzen sie wörter ausdrücke und sätze

franzosisch thai thai franzosisch wörterbuch uniport edu - Jun 01 2022

web jul 13 2023 franzosisch thai thai franzosisch wörterbuch 1 1 downloaded from uniport edu ng on july 13 2023 by guest franzosisch thai thai franzosisch wörterbuch right here we have countless book franzosisch thai thai franzosisch wörterbuch and collections to check out we additionally present variant types and after that type of the

pdf franzosisch thai thai franzosisch wörterbuch - Jun 13 2023

web 7000 german thai thai german vocabulary is a list of more than 7000 words translated from german to thai as well as translated from thai to german easy to use great for tourists and german speakers interested in learning thai as well as thai speakers interested in learning german thailand dec 02 2020 schlag nach sep 30

deutsch thai wortlisten thai online ressourcen easythai - Jul 02 2022

web deutsch thai wortliste 8368 einträge xlsx alle wichtigen wörter aus der easythai et software und online deutsch thai wörterbuch herunterladen 121 mal geladen die 500 häufigsten thaiworte 2021 500 einträge xlsx diese excel datei enthält die 500 häufigsten thai worte die man kennen sollte statistik 2021 der chulalongkorn

deutsch thai wörterbuch - Mar 30 2022

web deutsch thai thai deutsch online übersetzen online Übersetzung translator thai englisch english thai interaktives wörterbuch mit deutscher lautschriftausgabe und kostenlosen download thailändischer pc schriften in diesem online wörterbuch sind ca 13000 deutsche begriffe mit thailändischer Übersetzung und deutscher lautschrift

wörterbuch französisch deutsch online kaufen thalia - Apr 30 2022

web ob für die schule oder den urlaub bestellen sie jetzt ihr neues wörterbuch französisch deutsch bei thalia bildwörterbücher schulbücher vokabeln

französische Übersetzung von thai collins online dictionary - Aug 03 2022

web französische Übersetzung von thai der offizielle collins englisch französisch wörterbuch online Über 100 000 französische Übersetzungen von englische wörtern und ausdrücken

thai übersetzen französisch englisch cambridge wörterbuch - Jan 08 2023

web thai übersetzen thai thai thai erfahren sie mehr

thai deutsch französisch Übersetzung pons - Apr 11 2023

web Übersetzung deutsch französisch für thai im pons online wörterbuch nachschlagen gratis vokabeltrainer verbtabellen aussprachefunktion

thai deutsch online wörterbücher thailaendisch de - Sep 04 2022

web nutzen sie thai deutsch online wörterbücher ob thai2german easythailand easythai thaiwoerterbuch baanthai german thai phuutthai deutschthai clickthai oder uebersetzung thai hinter all diesen namen stecken webseiten die online

wörterbücher für die sprachkombinationen thai deutsch und deutsch thai anbieten wer nicht ständig ein
französisch thai thai französisch wörterbuch by - Feb 26 2022

web französisch thai thai französisch wörterbuch by prariemwirashpag lernen sie die wichtigsten wörter auf rumänisch june
6th 2020 lernen sie rumänisch wesentlich schneller als mit herkömmlichen

französisch thai thai französisch wörterbuch by - May 12 2023

web französisch thai thai französisch wörterbuch by prariemwirashpag dictionnaire leo retour aux forums kostenloses online
wörterbuch von langenscheidt online wörterbuch mit über 1 000 sprachen und 40 000 000 napoleon milton winklers

wörterbuch der deutschen pivert übersetzen französisch englisch cambridge

französisch thai thai französisch wörterbuch by - Jan 28 2022

web translate français allemand dictionnaire leo retour aux forums napoleon milton winklers wörterbuch der deutschen

download langenscheidt grundwortschatz französisch buch deutsch thai thailändisch gratis dolmetscher babelfish de

kostenlose übersetzung und wörterbuch hueber shop katalog

französisch thai thai französisch wörterbuch pdf uniport edu - Oct 05 2022

web jun 14 2023 as this französisch thai thai französisch wörterbuch it ends in the works living thing one of the favored
books französisch thai thai französisch wörterbuch collections that we have this is why you remain in the best website to see
the incredible books to have oxford picture dictionary english thai jayne adelson goldstein 2008

thai französisch Übersetzung deutsch französisch wörterbuch - Aug 15 2023

web thai Übersetzung deutsch französisch wörterbuch siehe auch thailand thailänder thailändisch th biespiele konjugation

französisch thai thai französisch wörterbuch pdf uniport edu - Feb 09 2023

web apr 3 2023 französisch thai thai französisch wörterbuch 2 5 downloaded from uniport edu ng on april 3 2023 by guest
numerales präpositionen jeweils mit beispielen anmerkungen besonderheiten german books in print 2003 mozin s kleines
deutsch französisch und französischdeutsches aus dem