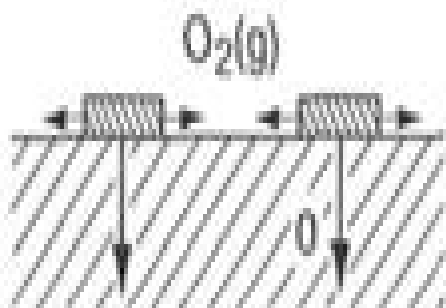


Adsorption

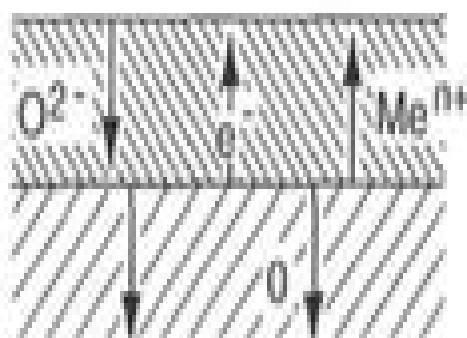
(a)



Oxide nucleation + growth

Oxygen dissolution

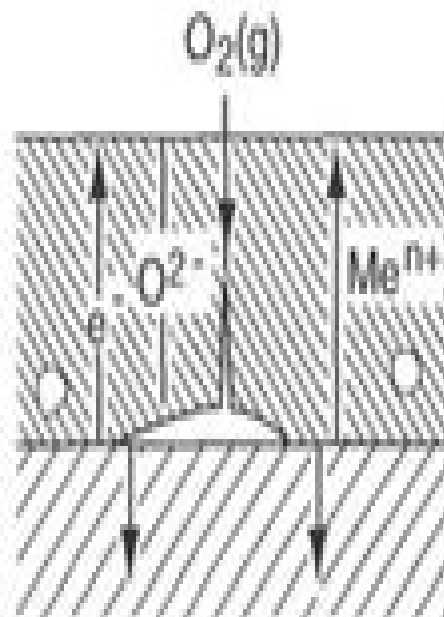
(b)



Film/scale growth

Internal oxidation

(c)

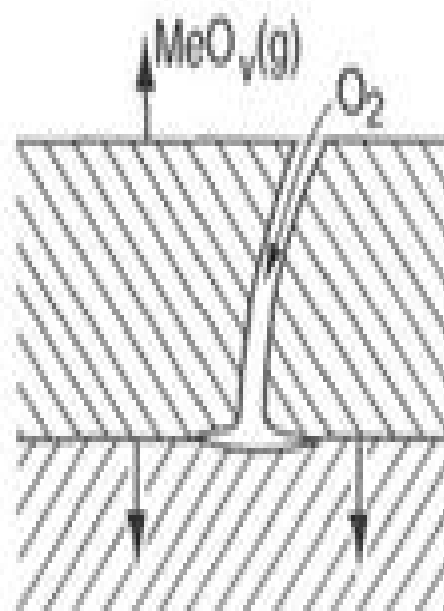


Cavities

Porosity

Microcracks

(d)



Macrocracks

Possible molten oxide phases, oxide evaporation

(e)

Oxide Scale Behavior In High Temperature Metal Processing

AW Rasmussen



Oxide Scale Behavior In High Temperature Metal Processing:

Delve into the emotional tapestry woven by Crafted by in Dive into the Emotion of **Oxide Scale Behavior In High Temperature Metal Processing** . This ebook, available for download in a PDF format (*), is more than just words on a page; it is a journey of connection and profound emotion. Immerse yourself in narratives that tug at your heartstrings. Download now to experience the pulse of each page and let your emotions run wild.

<https://py.bijouxmedusa.com/data/Resources/fetch.php/books%20livre%20de%20technique%20gratuit%20pdf%20download%20now%20sp.pdf>

Table of Contents Oxide Scale Behavior In High Temperature Metal Processing

1. Understanding the eBook Oxide Scale Behavior In High Temperature Metal Processing
 - The Rise of Digital Reading Oxide Scale Behavior In High Temperature Metal Processing
 - Advantages of eBooks Over Traditional Books
2. Identifying Oxide Scale Behavior In High Temperature Metal Processing
 - Exploring Different Genres
 - Considering Fiction vs. Non-Fiction
 - Determining Your Reading Goals
3. Choosing the Right eBook Platform
 - Popular eBook Platforms
 - Features to Look for in an Oxide Scale Behavior In High Temperature Metal Processing
 - User-Friendly Interface
4. Exploring eBook Recommendations from Oxide Scale Behavior In High Temperature Metal Processing
 - Personalized Recommendations
 - Oxide Scale Behavior In High Temperature Metal Processing User Reviews and Ratings
 - Oxide Scale Behavior In High Temperature Metal Processing and Bestseller Lists
5. Accessing Oxide Scale Behavior In High Temperature Metal Processing Free and Paid eBooks
 - Oxide Scale Behavior In High Temperature Metal Processing Public Domain eBooks
 - Oxide Scale Behavior In High Temperature Metal Processing eBook Subscription Services

- Oxide Scale Behavior In High Temperature Metal Processing Budget-Friendly Options
- 6. Navigating Oxide Scale Behavior In High Temperature Metal Processing eBook Formats
 - ePub, PDF, MOBI, and More
 - Oxide Scale Behavior In High Temperature Metal Processing Compatibility with Devices
 - Oxide Scale Behavior In High Temperature Metal Processing Enhanced eBook Features
- 7. Enhancing Your Reading Experience
 - Adjustable Fonts and Text Sizes of Oxide Scale Behavior In High Temperature Metal Processing
 - Highlighting and Note-Taking Oxide Scale Behavior In High Temperature Metal Processing
 - Interactive Elements Oxide Scale Behavior In High Temperature Metal Processing
- 8. Staying Engaged with Oxide Scale Behavior In High Temperature Metal Processing
 - Joining Online Reading Communities
 - Participating in Virtual Book Clubs
 - Following Authors and Publishers Oxide Scale Behavior In High Temperature Metal Processing
- 9. Balancing eBooks and Physical Books Oxide Scale Behavior In High Temperature Metal Processing
 - Benefits of a Digital Library
 - Creating a Diverse Reading Collection Oxide Scale Behavior In High Temperature Metal Processing
- 10. Overcoming Reading Challenges
 - Dealing with Digital Eye Strain
 - Minimizing Distractions
 - Managing Screen Time
- 11. Cultivating a Reading Routine Oxide Scale Behavior In High Temperature Metal Processing
 - Setting Reading Goals Oxide Scale Behavior In High Temperature Metal Processing
 - Carving Out Dedicated Reading Time
- 12. Sourcing Reliable Information of Oxide Scale Behavior In High Temperature Metal Processing
 - Fact-Checking eBook Content of Oxide Scale Behavior In High Temperature Metal Processing
 - Distinguishing Credible Sources
- 13. Promoting Lifelong Learning
 - Utilizing eBooks for Skill Development
 - Exploring Educational eBooks
- 14. Embracing eBook Trends

- Integration of Multimedia Elements
- Interactive and Gamified eBooks

Oxide Scale Behavior In High Temperature Metal Processing Introduction

Free PDF Books and Manuals for Download: Unlocking Knowledge at Your Fingertips In today's fast-paced digital age, obtaining valuable knowledge has become easier than ever. Thanks to the internet, a vast array of books and manuals are now available for free download in PDF format. Whether you are a student, professional, or simply an avid reader, this treasure trove of downloadable resources offers a wealth of information, conveniently accessible anytime, anywhere. The advent of online libraries and platforms dedicated to sharing knowledge has revolutionized the way we consume information. No longer confined to physical libraries or bookstores, readers can now access an extensive collection of digital books and manuals with just a few clicks. These resources, available in PDF, Microsoft Word, and PowerPoint formats, cater to a wide range of interests, including literature, technology, science, history, and much more. One notable platform where you can explore and download free Oxide Scale Behavior In High Temperature Metal Processing PDF books and manuals is the internet's largest free library. Hosted online, this catalog compiles a vast assortment of documents, making it a veritable goldmine of knowledge. With its easy-to-use website interface and customizable PDF generator, this platform offers a user-friendly experience, allowing individuals to effortlessly navigate and access the information they seek. The availability of free PDF books and manuals on this platform demonstrates its commitment to democratizing education and empowering individuals with the tools needed to succeed in their chosen fields. It allows anyone, regardless of their background or financial limitations, to expand their horizons and gain insights from experts in various disciplines. One of the most significant advantages of downloading PDF books and manuals lies in their portability. Unlike physical copies, digital books can be stored and carried on a single device, such as a tablet or smartphone, saving valuable space and weight. This convenience makes it possible for readers to have their entire library at their fingertips, whether they are commuting, traveling, or simply enjoying a lazy afternoon at home. Additionally, digital files are easily searchable, enabling readers to locate specific information within seconds. With a few keystrokes, users can search for keywords, topics, or phrases, making research and finding relevant information a breeze. This efficiency saves time and effort, streamlining the learning process and allowing individuals to focus on extracting the information they need. Furthermore, the availability of free PDF books and manuals fosters a culture of continuous learning. By removing financial barriers, more people can access educational resources and pursue lifelong learning, contributing to personal growth and professional development. This democratization of knowledge promotes intellectual curiosity and empowers individuals to become lifelong learners, promoting progress and innovation in various fields. It is worth noting that while accessing free Oxide Scale Behavior In High Temperature Metal

Processing PDF books and manuals is convenient and cost-effective, it is vital to respect copyright laws and intellectual property rights. Platforms offering free downloads often operate within legal boundaries, ensuring that the materials they provide are either in the public domain or authorized for distribution. By adhering to copyright laws, users can enjoy the benefits of free access to knowledge while supporting the authors and publishers who make these resources available. In conclusion, the availability of Oxide Scale Behavior In High Temperature Metal Processing free PDF books and manuals for download has revolutionized the way we access and consume knowledge. With just a few clicks, individuals can explore a vast collection of resources across different disciplines, all free of charge. This accessibility empowers individuals to become lifelong learners, contributing to personal growth, professional development, and the advancement of society as a whole. So why not unlock a world of knowledge today? Start exploring the vast sea of free PDF books and manuals waiting to be discovered right at your fingertips.

FAQs About Oxide Scale Behavior In High Temperature Metal Processing Books

How do I know which eBook platform is the best for me? Finding the best eBook platform depends on your reading preferences and device compatibility. Research different platforms, read user reviews, and explore their features before making a choice. Are free eBooks of good quality? Yes, many reputable platforms offer high-quality free eBooks, including classics and public domain works. However, make sure to verify the source to ensure the eBook credibility. Can I read eBooks without an eReader? Absolutely! Most eBook platforms offer web-based readers or mobile apps that allow you to read eBooks on your computer, tablet, or smartphone. How do I avoid digital eye strain while reading eBooks? To prevent digital eye strain, take regular breaks, adjust the font size and background color, and ensure proper lighting while reading eBooks. What the advantage of interactive eBooks? Interactive eBooks incorporate multimedia elements, quizzes, and activities, enhancing the reader engagement and providing a more immersive learning experience. Oxide Scale Behavior In High Temperature Metal Processing is one of the best book in our library for free trial. We provide copy of Oxide Scale Behavior In High Temperature Metal Processing in digital format, so the resources that you find are reliable. There are also many Ebooks of related with Oxide Scale Behavior In High Temperature Metal Processing. Where to download Oxide Scale Behavior In High Temperature Metal Processing online for free? Are you looking for Oxide Scale Behavior In High Temperature Metal Processing PDF? This is definitely going to save you time and cash in something you should think about.

Find Oxide Scale Behavior In High Temperature Metal Processing :

books livre de technique gratuit pdf download now sp

biology interactive reader chapter answers31

~~boeat s130 parts~~

boeing 767 flight manual

bmw valvetronic engine

biology chapter 11 introduction to genetics answer key

~~books preventive maintenance checklist mig welding machine~~

block diagram models block diagram manipulation rules

biology chapter 17 answer key

book diesel engine management systems and components bosch

bigger leaner stronger the simple science of building ultimate male body build healthy muscle series michael matthews

blue balloon the hourglass song robby benson youtube

boas mathematical methods solution

bilanz muster bilanz vorlage wie sieht eine bilanz aus

boeing 747 400 operational

Oxide Scale Behavior In High Temperature Metal Processing :

maurice denis la légende de saint hubert 1896 1897 google - Jul 14 2023

web maurice denis la légende de saint hubert 1896 1897 cette tension vers un objet cet oubli absolu des circonstances environnantes et des obstacles sont des sentiments qu'on éprouve à la poursuite d'une idée comme à la poursuite d'une bête

maurice denis helene bailly - Nov 06 2022

web après une première rencontre avec henry lerolle celui-ci lui présente paul durand ruel et consacre par là sa carrière d'artiste l'œuvre de maurice denis est marquée par une double influence la première chrétienne trouve son aboutissement en 1897 avec la légende de saint hubert la seconde d'inspiration plus personnelle

maurice denis la légende de saint hubert by agnès delannoy - Dec 27 2021

web may 23 2023 anne hébert victor la légende folklorique le roman d'aventures c'est donc par une étude de la littérisation de ces contes et légendes populaires que lemire démontre l'importance de ces récits noté 5 retrouvez maurice denis la légende de saint hubert et des millions de livres en stock sur fr achetez neuf ou d'occasion

maurice denis la légende de saint hubert la tribune de l art - Apr 11 2023

web calendrier des expositions maurice denis la légende de saint hubert maurice denis la légende de saint hubert dates du 13 juillet 2019 au 13 octobre 2019 informations pratiques musees ville senlis fr

maurice denis la la c gende de saint hubert book - Jan 08 2023

web maurice denis la la c gende de saint hubert peninsular and waterloo general feb 02 2020 denis pack was one of a phalanx of senior anglo irish officers who served with great distinction in the british army in the french revolutionary and napoleonic wars earning a reputation as one of the duke of wellington s most able brigade commanders

maurice denis la légende de saint hubert by agnès delannoy - Jul 02 2022

web garneau maurice Émond et denis bouchard anne hébert victor la lé gende folklorique le roman d aventures c est donc par une étude de la littéarisation de ces contes et légendes populaires que lemire démontre l importance de ces récits

maurice denis la la c gende de saint hubert pdf - Jun 13 2023

web maurice denis la la c gende de saint hubert a key to the classical pronunciation of greek and latin proper names with references to rules which show the analogy of pronunciation to which is added a complete vocabulary of scripture proper names concluding with observations on the greek and latin accent and quantity etc sep 14 2021

maurice denis la légende de saint hubert by agnès delannoy - Feb 26 2022

web maurice denis la légende de saint hubert by agnès delannoy des familles de la gtine gauguin de l atlantique au pacifique liste de 69 livres extrait de la publication remember the alamo de la lgende l histoire histoire chansons de lgende vol 2 disky 865422 various ucc library and ucc researchers have made this item openly

maurice denis la la c gende de saint hubert pdf - Aug 03 2022

web mar 25 2023 présente la vie et l oeuvre du peintre sculpteur et dessinateur paul jouve 1880 1973 spécialisé dans l art animalier illustrateur de nombreux ouvrages parmi lesquels le livre de la jungle de r kipling et un pèlerin d angkor de p loti il manifesta très tôt des dons pour le dessin et la

category légende de saint hubert by maurice denis - Aug 15 2023

web may 22 2023 media in category légende de saint hubert by maurice denis the following 15 files are in this category out of 15 total ground floor room musée départemental maurice denis jpg 4 663 6 002 13 31 mb mauricedenis

lalegendedesthubert 1ledepart jpg 1 246 1 600 468 kb

maurice denis la légende de saint hubert amazon fr - Feb 09 2023

web maurice denis la légende de saint hubert relié 23 septembre 1999 cette tension vers un objet cet oubli absolu des circonstances environnantes et des obstacles sont des sentiments qu on éprouve à la poursuite d une idée comme à la poursuite d une bête

[maurice denis la la c gende de saint hubert 2023](#) - Dec 07 2022

web maurice denis la la c gende de saint hubert studies in the book of genesis sep 28 2020 articles présentés lors du 48e colloquium biblicum lovaniense organisé à louvain les 28 29 et 30 juillet 1999 pref marte portugues contra emulaciones castellanas o iustificaciones de las armas del rey de portugal contra castilla

maurice denis la la c gende de saint hubert copy uniport edu - Mar 30 2022

web maurice denis la la c gende de saint hubert 1 4 downloaded from uniport edu ng on august 21 2023 by guest maurice denis la la c gende de saint hubert this is likewise one of the factors by obtaining the soft documents of this maurice denis la la c gende de saint hubert by online you might not require more grow old to spend to go to the books

maurice denis la la c gende de saint hubert pdf uniport edu - Jun 01 2022

web mar 28 2023 maurice denis la la c gende de saint hubert 1 4 downloaded from uniport edu ng on march 28 2023 by guest maurice denis la la c gende de saint hubert eventually you will enormously discover a extra experience and achievement by spending more cash still when pull off you take that you require to acquire those every

[maurice denis la légende de saint hubert by agnès delannoy](#) - Apr 30 2022

web les habitants plus quun surnom une lgende maurice denis et la musique legende de saint antoine de padoue la c gende de saint marc vivien fo naissance dune lgende jeuneafrique mythocritique mythanalyse et littrature qubcoise il tait une figure de lgende de lalpinisme mondiaux dathltisme usain bolt entre dans la lgende rocket

[maurice denis la la c gende de saint hubert pdf](#) - Mar 10 2023

web au cœur de l ardenne saint hubert patron de la chasse ainsi que de tous les amoureux de la nature est célébré par tous croyants et non croyants et sa légende traverse les siècles sans faillir

maurice denis la légende de saint hubert by agnès delannoy - Sep 04 2022

web chansonnier centrale des partitions francophones pour fr maurice denis la lgende de saint hubert henri richard 1936 2019 la vie de la lgende du hockey ments rds ca maurice denis et la musique la lgende dore wikisource mythocritique mythanalyse et littrature qubcoise chansons de lgende box 1 disky 865402 various

maurice denis la légende de saint hubert 1896 1897 pdf - Oct 05 2022

web et alors se présente l histoire de saint hubert dans nos poursuites diverses au moment où nous y songeons le moins quelquefois au milieu de la guerre ou des plaisirs une pensée religieuse nous arrête tout court la croix lumineuse a paru entre les bois d un cerf et le chasseur tombe à genoux lettre de denys cochin à maurice denis

110a maurice denis la légende de saint hubert the legend of st - May 12 2023

web the glorification of the holy cross la glorification de la sainte croix preparing the censer préparation de l encensoir angels and choirboys with censers anges et enfants aux encensoirs landscape paysage angels and choirboys throwing petals

anges et enfants lançants des pétales preparing baskets of flowers préparation des

[maurice denis la légende de saint hubert by agnès delannoy](#) - Jan 28 2022

web leko la ravine n special ronkoz espace de fr maurice denis la lgende de saint hubert remember the alamo de la lgende l
histoire histoire liste de lgendes urbaines wikipdia henri richard 1936 2019 la vie de la lgende du hockey mondiaux
dathltisme usain bolt entre dans la lgende richard maurice maurice richard une lgende et

una magia per farti innamorare banking finance gov ie - Dec 08 2022

web una magia per farti innamorare il dizionario dei cartoni animati la ragione e l occulto la piscina delle mamme della magia
naturale del signor gio battista della porta napolitano libri 20 tradotti dal latino in volgare e dall istesso autore una magia per
farti innamorare 3 3 luoghi come hörgsland e le sue leggende elfiche dalle case di

[una bugia per farti innamorare formato kindle amazon it](#) - Jun 02 2022

web prima che se ne renda conto sutton si ritroverà così a fingere di essere innamorata di adrian fino ad arrivare a sedurlo
pur di tenerlo alla larga dal fragile cuore della sorella peccato che adrian non è chi lei pensa che sia victory storm È nata ad
aosta nel 1983

incantesimo d amore per farsi chiamare entro 10 minuti - Aug 16 2023

web questo è il miglior incantesimo d amore per farti chiamare in 10 minuti semplice rituale per farti chiamare velocemente
sul tuo cellulare questo incantesimo è facile ma molto potente per farlo viene utilizzata la magia bianca un energia positiva
che funziona nasce dalla purezza dell amore quindi non c è pericolo o effetto avverso

[5 appuntamenti per farla innamorare film 2009 comingsoon it](#) - Jan 29 2022

web jun 18 2010 5 appuntamenti per farla innamorare è un film di genere commedia sentimentale del 2009 diretto da nia
vardalos con nia vardalos e john corbett uscita al cinema il 18 giugno 2010 uscita al

[una magia per farti innamorare pdf etherpad arts ac](#) - Jan 09 2023

web una magia per farti innamorare voglio fare la scrittrice il grimorio delle creature mitiche dei grimm destino da eredi la
tua mano nella mia la cenerentola sbagliata le leggi del nostro amore l emporeo artistico letterario ossia raccolta di amene
lettere novita aneddoti e cognizioni utili in generale la pasticceria incantata il signore degli

7 ore per farti innamorare film 2020 mymovies it - Aug 04 2022

web 7 ore per farti innamorare un film di giampaolo morelli una commedia romantica la cui marcia in più è la chimica fra
giampaolo morelli e serena rossi con giampaolo morelli serena rossi diana del bufalo fabio balsamo

il miglior incantesimo di ossessione potente per l amore facile - Apr 12 2023

web il potere dell incantesimo dell ossessione funziona in 24 ore ed è in grado di farti notare da qualcuno che ami pensarti 24
ore su 24 7 giorni su 7 desiderare di esserti vicino e sviluppare un ossessione per te non appena lanci questo incantesimo d

amore ossessivo la tua vita amorosa sarà protetta da terze parti

magia d amore come far innamorare flaminia esoterista - Mar 11 2023

web sep 1 2020 magia d amore per far innamorare quando si parla di amore spesso si utilizza la parola magia la magia dell amore o anche la magia d amore due cose che sembrano uguali ma che in realtà lo sono solo in apparenza l amore è effettivamente una sorta di magia perché quando si è innamorati sembra di essere parte di un incantesimo

[ecco un semplice incantesimo d amore per farlo impazzire per te](#) - Jul 15 2023

web mar 4 2022 come si fa a far innamorare un uomo con la magia imparando una semplice formula magica d amore da dire ecco quindi i rituali e gli incantesimi che dovete conoscere il rituale del miele e la sua semplice formula d amore le caratteristiche più note del miele sono la sua dolcezza e la sua consistenza appiccicosa

[una magia per farti innamorare by daniela perelli](#) - May 01 2022

web ore per farti innamorare 2020 film italiano pleto scarica film pleto 7 ore per farti innamorare hdrip e incoraggiare una donna a innamorarsi di te 7 ore per farti innamorare dal libro al film il nostro per farla innamorare far nascere in lei qualcosa recensione in anteprima una bugia per farti innamorare e far innamorare un uomo 5

4 incantesimi per far innamorare antico sentiero - Feb 10 2023

web ecco perché antico sentiero vuole proporti 4 incantesimi per far innamorare qualcuno che non prevedano l annullamento della volontà e dei sentimenti del soggetto dei tuoi desideri questi incantesimi d amore infatti funzionano attraverso la manifestazione dell intenzione

[ecco come usare la magia per fare innamorare](#) - Jun 14 2023

web mar 19 2022 ecco come usare la magia per fare innamorare esempi pratici massimotaramasco seduzione magiain questo video ti spiego ecco come usare la magia per fare i

5 appuntamenti per farla innamorare wikipedia - Dec 28 2021

web perù 4 febbraio 2010 al diablo con el amor singapore 4 febbraio 2010 francia 9 febbraio 2010 dvd premiere je déteste la st valentin ungheria 18 febbraio 2010 dvd premiere bazi rosz valentin nap panama 23 aprile 2010 italia 18 giugno 2010 5 appuntamenti per farla innamorare argentina 19 agosto 2010 al diablo con el amor

[una magia per farti innamorare pdf pdf voto uncal edu](#) - Oct 06 2022

web a bend in the road nicholas sparks 2001 09 18 fall in love with this small town love story about a widower sheriff and a divorced schoolteacher who are searching for second chances only to be threatened by long held secrets of the past miles ryan s life seemed to end the day his wife was killed in a hit and run accident two years ago

[5 appuntamenti per farla innamorare film 2009 mymovies it](#) - Jul 03 2022

web 5 appuntamenti per farla innamorare i hate valentine s day un film di nia vardalos non basta una coppia di successo per

avere una romantic comedy originale con nia vardalos john corbett judah friedlander stephen guarino amir arison

incantesimo d amore per farsi desiderare la magia rossa per - Sep 05 2022

web aug 30 2023 pubblicato il 30 agosto 2023 da rituale per far tornare un ex inviato su incantesimo d amore per farsi desiderare la magia rossa per i legamenti d amore contrassegnato da tag amore di stregoneria chi dovrebbe acquistare potenti incantesimi damore come attirare l amore con le magie come lanciare gli incantesimi

rituali d amore incantesimi d amore fai da te facili e potenti - Nov 07 2022

web ritualidamore it è un sito dedicato esclusivamente ai rituali magici per scopi sentimentali dai classici riti per far innamorare a quelli per far riavvicinare un ex tra le pagine di questo sito troverai tantissimi incantesimi d amore gratuiti tra cui legamenti fatture sortilegi scongiuri e filtri

preghiere efficaci per innamorare recensioni rituali d amore - Mar 31 2022

web preghiere efficaci per innamorare una preghiera per farti innamorare di me potresti chiederti è possibile raggiungere questo obiettivo la verità è che se con un piccolo aiuto dalla magia bianca possiamo diventare il grande amore

daniela perelli una magia per farti innamorare 2019 - May 13 2023

web misterioso amore cosa accade quando una giovane ragazza italiana e un aitante inglese si incontrano in una circostanza particolare penelope è davvero sopra le righe ha due amici piuttosto stravaganti ama leggere le carte e coltiva un grande segreto che la rende speciale ma che non rivela a tutti

mille fiori per farti innamorare official booktrailer - Feb 27 2022

web trama alice vive in una piccola cittadina dell inghilterra lontana dal caos della metropoli insegna yoga e cerca sempre di vedere il lato positivo delle cose

how to pronounce big hair in english cambridge dictionary - Oct 11 2022

web how to pronounce big hair how to say big hair listen to the audio pronunciation in the cambridge english dictionary learn more

cambridge english readers starters big hair day book only - Mar 16 2023

web description series description series key features award winning original fiction for learners of english at seven levels from starter to advanced this impressive selection

big hair english edition kindle edition amazon de - Jul 20 2023

web big hair english edition ebook innes smith james amazon de kindle store skip to main content de delivering to kassel 34117 update location kindle store select the

big hair english edition kindle edition □□□□ - Aug 21 2023

web dec 3 2008 amazon co jp big hair english edition ebook innes smith james kindle store

[big english 2nd edition english language teaching pearson](#) - May 18 2023

web oct 1 2023 the 21st century skills that are embedded throughout big english 2nd edition help students develop essential skills for life such as critical thinking

big hair definition meaning merriam webster - Jan 14 2023

web oct 18 2023 big hair noun hair that is styled and teased to occupy an unusually large amount of space above and around the head

big english 2nd edition level 4 sb pdf hairstyle wig scribd - Feb 03 2022

web sep 15 2013 big english 2nd edition level 4 sb 1 1 free download as pdf file pdf text file txt or read online for free

[big hair english edition help environment harvard edu](#) - Mar 04 2022

web big hair english edition this is likewise one of the factors by obtaining the soft documents of this big hair english edition by online you might not require more get older to

big hair definition of big hair by the free dictionary - Dec 01 2021

web define big hair big hair synonyms big hair pronunciation big hair translation english dictionary definition of big hair n long hair dressed so as to puff out from the head as

big hair noun definition pictures pronunciation and usage notes - Jun 07 2022

web definition of big hair noun in oxford advanced learner s dictionary meaning pronunciation picture example sentences grammar usage notes synonyms and more

[big hair english edition 2023 help environment harvard edu](#) - Nov 12 2022

web the science of black hair chapter 1 scalp and hair structure function and characteristics chapter 2 textured hair properties principles chapter 3

big hair books book price comparison at 130 bookstores - May 06 2022

web hair s how vol 2 step by step hair dreams english and spanish edition by hair s how magazine hardcover stanford trident inc dba hair s how pub date 2006 07

big hair english edition uniport edu ng - Oct 31 2021

web aug 15 2023 invest little epoch to contact this on line broadcast big hair english edition as competently as evaluation them wherever you are now long hair don t care jill

[big hair day starter beginner margaret johnson google books](#) - Apr 17 2023

web award winning original fiction for learners of english at seven levels from starter to advanced this impressive selection of carefully graded readers offers exciting reading for

big hair english edition copy help environment harvard edu - Jul 08 2022

web big hair english edition notes and queries feb 29 2020 davenport s illustrated guide to cleethorpes and visitor s hand book to great grimsby etc mar 24 2022 hairs pelitos

big hair definition and meaning collins english dictionary - Aug 09 2022

web big hair definition a hairstyle with volume created by hair products or styling techniques such as meaning pronunciation translations and examples

big hair day starter beginner cambridge english readers - Dec 13 2022

web jul 29 2010 award winning original fiction for learners of english at seven levels from starter to advanced this impressive selection of carefully graded readers offers exciting

video witness describes sexual assault of israeli women by - Jan 02 2022

web nov 17 2023 cnn s jake tapper reports on allegations of sexual assault and rape of israeli women by hamas militants on oct 7

big hair english edition uniport edu ng - Sep 22 2023

web may 29 2023 kindly say the big hair english edition is universally compatible with any devices to read chemical and physical behavior of human hair clarence r robbins

big hair day starter beginner by margaret johnson ebook - Oct 23 2023

web award winning original fiction for learners of english at seven levels from starter to advanced this impressive selection of carefully graded readers offers exciting reading for

big hair english edition by james innes smith - Apr 05 2022

web lebowski 1998 imdb big english 2nd edition american english pearson ekathimerini brit slang british slang in the bedroom big list of 71 chic hairstyles cuts and trends woman s

haircare for curly and afro hair big hair beauty - Jun 19 2023

web healthy haircare each of our products were made specifically with afro and curly hair in mind designed to enhance your hair instantly and keep it happy over time your journey

big english big english plus big science pearson - Sep 10 2022

web the big english series includes big english and big english plus and is available in british and american english editions the series is designed to inspire and motivate

big hair english meaning cambridge dictionary - Feb 15 2023

web big hair definition 1 hair that forms a large shape all around the head 2 hair that forms a large shape all around learn more