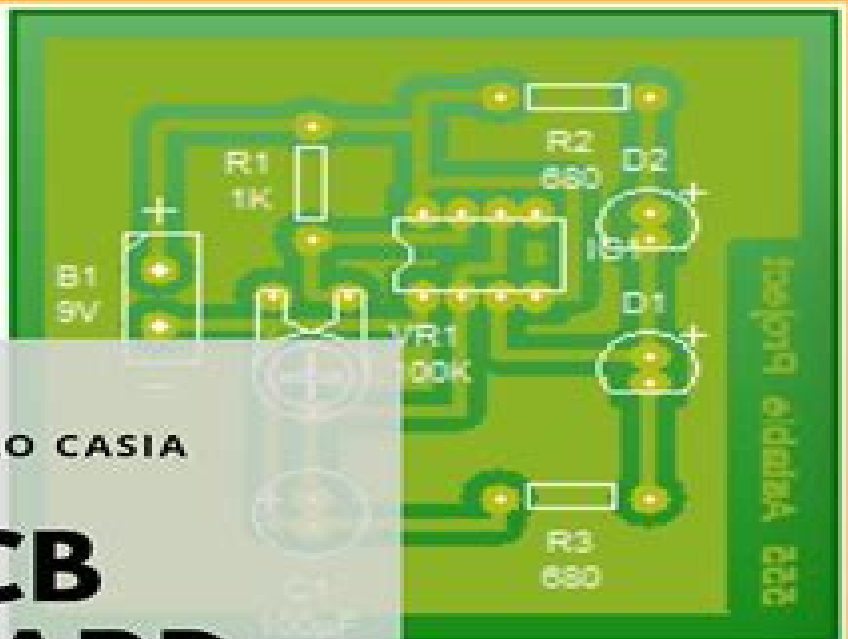
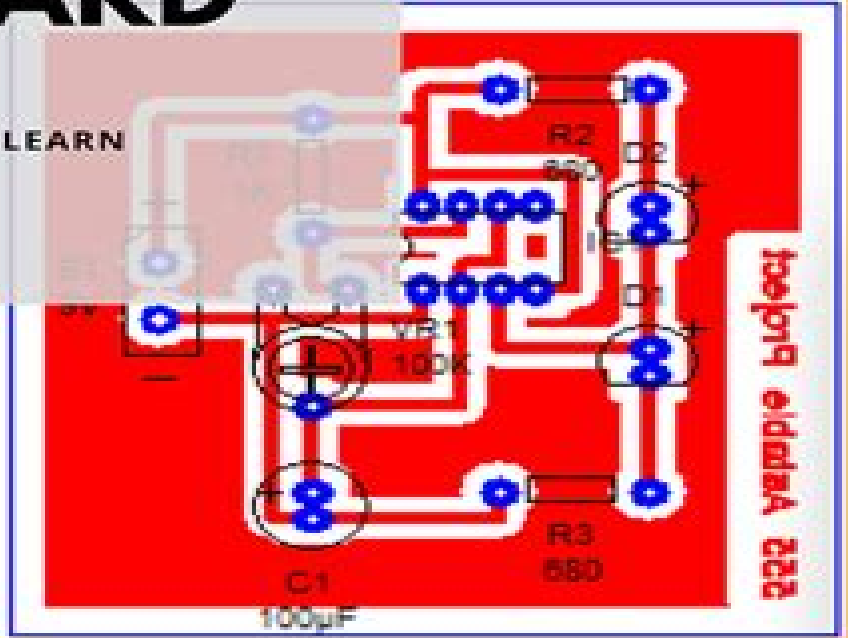
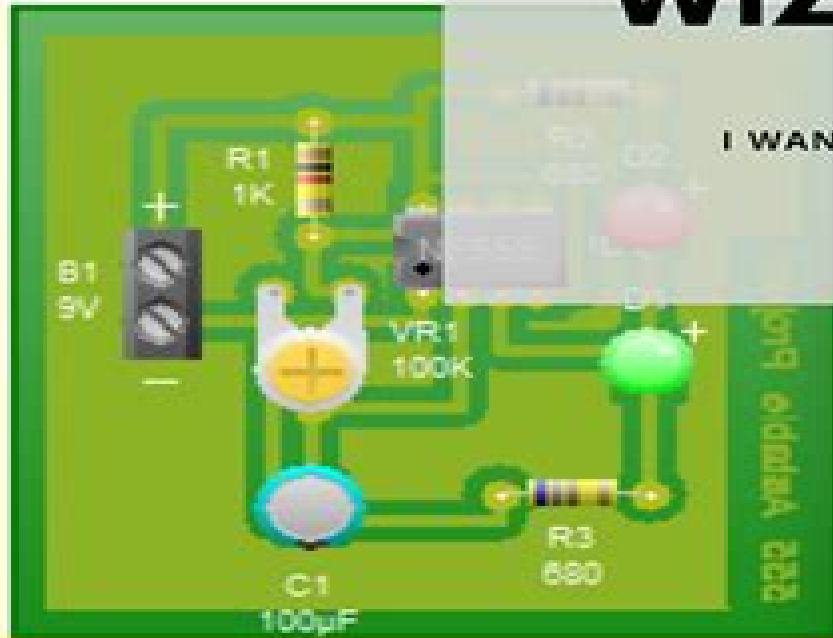


BY DANILLO CASIA

PCB WIZARD



I WANT LEARN



Pcb Wizard Tutorial 1

D Siedentop



Pcb Wizard Tutorial 1:

Complete PCB Design Using OrCad Capture and Layout Kraig Mitzner, 2011-04-01 Complete PCB Design Using OrCad Capture and Layout provides instruction on how to use the OrCAD design suite to design and manufacture printed circuit boards The book is written for both students and practicing engineers who need a quick tutorial on how to use the software and who need in depth knowledge of the capabilities and limitations of the software package There are two goals the book aims to reach The primary goal is to show the reader how to design a PCB using OrCAD Capture and OrCAD Layout Capture is used to build the schematic diagram of the circuit and Layout is used to design the circuit board so that it can be manufactured The secondary goal is to show the reader how to add PSpice simulation capabilities to the design and how to develop custom schematic parts footprints and PSpice models Often times separate designs are produced for documentation simulation and board fabrication This book shows how to perform all three functions from the same schematic design This approach saves time and money and ensures continuity between the design and the manufactured product Information is presented in the exact order a circuit and PCB are designed Straightforward realistic examples present the how and why the designs work providing a comprehensive toolset for understanding the OrCAD software Introduction to the IPC JEDEC and IEEE standards relating to PCB design Full color interior and extensive illustrations allow readers to learn features of the product in the most realistic manner possible Complete PCB Design Using OrCAD Capture and PCB Editor Kraig

Mitzner, 2009-05-28 This book provides instruction on how to use the OrCAD design suite to design and manufacture printed circuit boards The primary goal is to show the reader how to design a PCB using OrCAD Capture and OrCAD Editor Capture is used to build the schematic diagram of the circuit and Editor is used to design the circuit board so that it can be manufactured The book is written for both students and practicing engineers who need in depth instruction on how to use the software and who need background knowledge of the PCB design process Beginning to end coverage of the printed circuit board design process Information is presented in the exact order a circuit and PCB are designed Over 400 full color illustrations including extensive use of screen shots from the software allow readers to learn features of the product in the most realistic manner possible Straightforward realistic examples present the how and why the designs work providing a comprehensive toolset for understanding the OrCAD software Introduces and follows IEEE IPC and JEDEC industry standards for PCB design Unique chapter on Design for Manufacture covers padstack and footprint design and component placement for the design of manufacturable PCB s FREE CD containing the OrCAD demo version and design files

Thermal Analysis with SolidWorks Simulation 2014 Paul Kurowski, 2014 Thermal Analysis with SolidWorks Simulation 2014 goes beyond the standard software manual It concurrently introduces the reader to thermal analysis and its implementation in SolidWorks Simulation using hands on exercises A number of projects are presented to illustrate thermal analysis and related topics Each chapter is designed to build on the skills and understanding gained from previous exercises

Thermal Analysis with SolidWorks Simulation 2014 is designed for users who are already familiar with the basics of Finite Element Analysis FEA using SolidWorks Simulation or who have completed the book Engineering Analysis with SolidWorks Simulation 2014 Thermal Analysis with SolidWorks Simulation 2014 builds on these topics in the area of thermal analysis Some understanding of FEA and SolidWorks Simulation is assumed Desarrollo y Construcción de Prototipos Electrónicos Ángel Bueno Martín, Ana I. de Soto Gorroño, 2005-09-15 Este manual es una guía que proporciona instrucciones completas y detalladas para el uso de los programas OrCAD Capture Layout plus y LPKF CircuitCAM BoardMaster de diseño y construcción de prototipos electrónicos respectivamente Pretendemos familiarizar al lector con el entorno de trabajo CAD CAM electrónico a través del software propuesto Junto a las indicaciones que ayudan a adquirir la destreza en el manejo de las herramientas informáticas orientadas al diseño electrónico en este libro se dan una serie de consejos y observaciones de interés que facilitan el trabajo y aclaran las dudas que con frecuencia le surgen al principiante haciendo hincapié en la correcta obtención y presentación de resultados informes planos fotolitos etc Respecto a la metodología cabe destacar su carácter de tutorial es decir se propone un ejemplo que servir de hilo conductor para ir completando las fases que conforman la base de datos del diseño Cada tema está desarrollado gradualmente explicando los comandos e instrucciones allí donde aparecen por vez primera Se acompañan numerosas ventanas pantallas aclaratorias aportaciones prácticas y explicaciones adicionales en aras de facilitar la comprensión de lo expuesto Se trata en definitiva de un método que ayuda en la realización de un trabajo organizado y eficaz que facilita la labor del profesor y el aprendizaje del alumno MATERIALES ADICIONALES EN APARTADO DE DESCARGAS DEL WEB MARCOMBO.COM **PC Mag**, 1993-06-29 PCMag.com is a leading authority on technology delivering Labs based independent reviews of the latest products and services Our expert industry analysis and practical solutions help you make better buying decisions and get more from technology **Byte**, 1984 **Microtimes**, 1993-04 Macworld, 1989 *Sound & Vibration*, 2000 **PC/Computing**, 1993-07 **SolidWorks práctico II - 2.ª edición** Sergio Gómez González, 2024-06-19 Si es un estudiante o un diseñador novel que desea adentrarse en el diseño y validación de productos mecánicos con SolidWorks con el objetivo de crear máquinas mecanismos productos o modelos para impresión 3D ha llegado al libro indicado SolidWorks práctico II es una compilación de prácticas guiadas y ejercicios de examen diseñados por el autor para sus clases universitarias en la Universidad Politécnica de Cataluña EEBE UPC Estas prácticas abarcan una amplia gama de complementos como Routing Motion Simulation FlowSimulation Photoview SolidCAM DMFXpress entre otros El contenido del libro se caracteriza por su enfoque visual y práctico lo que facilita la lectura con abundantes ilustraciones que detallan las etapas necesarias para utilizar los complementos de SolidWorks en el diseño y validación de productos más eficientes seguros y económicos Además en el libro encontrar el código de acceso que le permitirá descargar de forma gratuita los contenidos adicionales desde www.marcombo.info que incluyen los modelos descritos a lo largo de la obra Esta segunda edición también cuenta con el acceso gratuito al Curso de SolidWorks Simulation Flow

Simulation y otros complementos Dicho curso est valorado en 35 y se compone de 54 videos con una duraci n total de 8 horas para que profundice en el entorno las aplicaciones y las funcionalidades de Solidworks el dise o de chapa met lica el dise o de moldes para inyecci n de pl sticos las simulaciones de inyecci n de pl sticos SolidWorks Plastics el dise o de estructura met lica y soldadura biblioteca de dise o y Toolbox PhotoViewer 360 imagen sint tica FeatureWorks SolidWorks Costing sostenibilidad FDMXpress entre otros Al finalizar el curso podr realizar un proyecto para conseguir la certificaci n de realizaci n del curso H gase con este libro y saque provecho de SolidWorks el software CAD CAM CAE que le permitir adem s de modelar piezas ensamblar conjuntos y crear planos validar sus dise os para realizar productos m s seguros y eficientes

PC Magazine ,2001

Applied Science & Technology Index ,1997

InfoWorld ,1986

PCB Design & Layout

For DIY Etching A B Lawal,2021-03-14 In this tutorial you will learn step by step how to use Ultiboard to route and make a single layer Printed Circuit Board layout that you can print out on paper Finally you will learn with demo videos a very inexpensive DIY method for transferring your layout to a Copper Clad board that you can etch and solder manually No heat transfer is involved After reading and completing the simple demo projects in this book you will learn many features of Ultiboard very fast and very effectively without getting overwhelmed You will not need to export any files or send gerbers to a PCB manufacturer fabricator We will be using the National Instruments Ultiboard and Multism PCB Design suite which I found to be the best among several others I have used Any of the versions 12 13 and 14 of this suite works perfectly well There is a link in this book for you to download a hassle free trial version of the suite that you can use for many days to learn and practice many projects of your own Merely having the Ultiboard user manual or referring to its help contents is far from sufficient in becoming a skillful PCB designer Therefore this book is extremely useful for building PCB design skills very fast First it will give you a big head start if you have never designed a PCB layout before Then it will teach you more advanced techniques you need to learn design and build anything from simple to complex PCB layouts using mostly Ultiboard Finally if you have questions or need further help I urge you to use the support link I provided in the last Chapter of this book I will get back to you very quickly

Complete PCB Design Using OrCAD Capture and PCB Editor Kraig Mitzner,Bob

Doe,Alexander Akulin,Anton Suponin,Dirk Müller,2019-06-20 Complete PCB Design Using OrCAD Capture and PCB Editor

Second Edition provides practical instruction on how to use the OrCAD design suite to design and manufacture printed circuit boards Chapters cover how to Design a PCB using OrCAD Capture and OrCAD PCB Editor adding PSpice simulation capabilities to a design how to develop custom schematic parts how to create footprints and PSpice models and how to perform documentation simulation and board fabrication from the same schematic design This book is suitable for both beginners and experienced designers providing basic principles and the program s full capabilities for optimizing designs Companion site <https://www.elsevier.com/books-and-journals/book-companion/9780128176849> Presents a fully updated edition on OrCAD Capture Version 17.2 Combines the theoretical and practical parts of PCB design Includes real life design

examples that show how and why designs work providing a comprehensive toolset for understanding OrCAD software
Provides the exact order in which a circuit and PCB are designed Introduces the IPC JEDEC and IEEE standards relating to
PCB design *Printed Circuit Boards* R. S. Khandpur,2005-09-07 The printed circuit is the basic building block of the
electronics hardware industry This is a comprehensive single volume self teaching guide to the art of printed circuit board
design and fabrication covering the complete cycle of PCB creation design layout fabrication assembly and testing

Thank you very much for downloading **Pcb Wizard Tutorial 1**. As you may know, people have look numerous times for their chosen readings like this Pcb Wizard Tutorial 1, but end up in infectious downloads.

Rather than enjoying a good book with a cup of tea in the afternoon, instead they cope with some harmful virus inside their laptop.

Pcb Wizard Tutorial 1 is available in our book collection an online access to it is set as public so you can get it instantly. Our digital library saves in multiple locations, allowing you to get the most less latency time to download any of our books like this one.

Kindly say, the Pcb Wizard Tutorial 1 is universally compatible with any devices to read

https://py.bijouxmedusa.com/About/virtual-library/Documents/checklist_for_startups_77_1937_content_marketing_checklist_f_or_startups.pdf

Table of Contents Pcb Wizard Tutorial 1

1. Understanding the eBook Pcb Wizard Tutorial 1
 - The Rise of Digital Reading Pcb Wizard Tutorial 1
 - Advantages of eBooks Over Traditional Books
2. Identifying Pcb Wizard Tutorial 1
 - Exploring Different Genres
 - Considering Fiction vs. Non-Fiction
 - Determining Your Reading Goals
3. Choosing the Right eBook Platform
 - Popular eBook Platforms
 - Features to Look for in an Pcb Wizard Tutorial 1
 - User-Friendly Interface
4. Exploring eBook Recommendations from Pcb Wizard Tutorial 1
 - Personalized Recommendations

- Pcb Wizard Tutorial 1 User Reviews and Ratings
- Pcb Wizard Tutorial 1 and Bestseller Lists
- 5. Accessing Pcb Wizard Tutorial 1 Free and Paid eBooks
 - Pcb Wizard Tutorial 1 Public Domain eBooks
 - Pcb Wizard Tutorial 1 eBook Subscription Services
 - Pcb Wizard Tutorial 1 Budget-Friendly Options
- 6. Navigating Pcb Wizard Tutorial 1 eBook Formats
 - ePub, PDF, MOBI, and More
 - Pcb Wizard Tutorial 1 Compatibility with Devices
 - Pcb Wizard Tutorial 1 Enhanced eBook Features
- 7. Enhancing Your Reading Experience
 - Adjustable Fonts and Text Sizes of Pcb Wizard Tutorial 1
 - Highlighting and Note-Taking Pcb Wizard Tutorial 1
 - Interactive Elements Pcb Wizard Tutorial 1
- 8. Staying Engaged with Pcb Wizard Tutorial 1
 - Joining Online Reading Communities
 - Participating in Virtual Book Clubs
 - Following Authors and Publishers Pcb Wizard Tutorial 1
- 9. Balancing eBooks and Physical Books Pcb Wizard Tutorial 1
 - Benefits of a Digital Library
 - Creating a Diverse Reading Collection Pcb Wizard Tutorial 1
- 10. Overcoming Reading Challenges
 - Dealing with Digital Eye Strain
 - Minimizing Distractions
 - Managing Screen Time
- 11. Cultivating a Reading Routine Pcb Wizard Tutorial 1
 - Setting Reading Goals Pcb Wizard Tutorial 1
 - Carving Out Dedicated Reading Time
- 12. Sourcing Reliable Information of Pcb Wizard Tutorial 1
 - Fact-Checking eBook Content of Pcb Wizard Tutorial 1

- Distinguishing Credible Sources
- 13. Promoting Lifelong Learning
 - Utilizing eBooks for Skill Development
 - Exploring Educational eBooks
- 14. Embracing eBook Trends
 - Integration of Multimedia Elements
 - Interactive and Gamified eBooks

Pcb Wizard Tutorial 1 Introduction

In the digital age, access to information has become easier than ever before. The ability to download Pcb Wizard Tutorial 1 has revolutionized the way we consume written content. Whether you are a student looking for course material, an avid reader searching for your next favorite book, or a professional seeking research papers, the option to download Pcb Wizard Tutorial 1 has opened up a world of possibilities. Downloading Pcb Wizard Tutorial 1 provides numerous advantages over physical copies of books and documents. Firstly, it is incredibly convenient. Gone are the days of carrying around heavy textbooks or bulky folders filled with papers. With the click of a button, you can gain immediate access to valuable resources on any device. This convenience allows for efficient studying, researching, and reading on the go. Moreover, the cost-effective nature of downloading Pcb Wizard Tutorial 1 has democratized knowledge. Traditional books and academic journals can be expensive, making it difficult for individuals with limited financial resources to access information. By offering free PDF downloads, publishers and authors are enabling a wider audience to benefit from their work. This inclusivity promotes equal opportunities for learning and personal growth. There are numerous websites and platforms where individuals can download Pcb Wizard Tutorial 1. These websites range from academic databases offering research papers and journals to online libraries with an expansive collection of books from various genres. Many authors and publishers also upload their work to specific websites, granting readers access to their content without any charge. These platforms not only provide access to existing literature but also serve as an excellent platform for undiscovered authors to share their work with the world. However, it is essential to be cautious while downloading Pcb Wizard Tutorial 1. Some websites may offer pirated or illegally obtained copies of copyrighted material. Engaging in such activities not only violates copyright laws but also undermines the efforts of authors, publishers, and researchers. To ensure ethical downloading, it is advisable to utilize reputable websites that prioritize the legal distribution of content. When downloading Pcb Wizard Tutorial 1, users should also consider the potential security risks associated with online platforms. Malicious actors may exploit vulnerabilities in unprotected websites to distribute malware or steal personal information. To protect themselves, individuals should ensure

their devices have reliable antivirus software installed and validate the legitimacy of the websites they are downloading from. In conclusion, the ability to download Pcb Wizard Tutorial 1 has transformed the way we access information. With the convenience, cost-effectiveness, and accessibility it offers, free PDF downloads have become a popular choice for students, researchers, and book lovers worldwide. However, it is crucial to engage in ethical downloading practices and prioritize personal security when utilizing online platforms. By doing so, individuals can make the most of the vast array of free PDF resources available and embark on a journey of continuous learning and intellectual growth.

FAQs About Pcb Wizard Tutorial 1 Books

How do I know which eBook platform is the best for me? Finding the best eBook platform depends on your reading preferences and device compatibility. Research different platforms, read user reviews, and explore their features before making a choice. Are free eBooks of good quality? Yes, many reputable platforms offer high-quality free eBooks, including classics and public domain works. However, make sure to verify the source to ensure the eBook credibility. Can I read eBooks without an eReader? Absolutely! Most eBook platforms offer webbased readers or mobile apps that allow you to read eBooks on your computer, tablet, or smartphone. How do I avoid digital eye strain while reading eBooks? To prevent digital eye strain, take regular breaks, adjust the font size and background color, and ensure proper lighting while reading eBooks. What the advantage of interactive eBooks? Interactive eBooks incorporate multimedia elements, quizzes, and activities, enhancing the reader engagement and providing a more immersive learning experience. Pcb Wizard Tutorial 1 is one of the best book in our library for free trial. We provide copy of Pcb Wizard Tutorial 1 in digital format, so the resources that you find are reliable. There are also many Ebooks of related with Pcb Wizard Tutorial 1. Where to download Pcb Wizard Tutorial 1 online for free? Are you looking for Pcb Wizard Tutorial 1 PDF? This is definitely going to save you time and cash in something you should think about. If you trying to find then search around for online. Without a doubt there are numerous these available and many of them have the freedom. However without doubt you receive whatever you purchase. An alternate way to get ideas is always to check another Pcb Wizard Tutorial 1. This method for see exactly what may be included and adopt these ideas to your book. This site will almost certainly help you save time and effort, money and stress. If you are looking for free books then you really should consider finding to assist you try this. Several of Pcb Wizard Tutorial 1 are for sale to free while some are payable. If you arent sure if the books you would like to download works with for usage along with your computer, it is possible to download free trials. The free guides make it easy for someone to free access online library for download books to your device. You can get free download on free trial for lots of books categories. Our library is the biggest of these that have literally hundreds of thousands of different products categories represented. You will also see that

there are specific sites catered to different product types or categories, brands or niches related with Pcb Wizard Tutorial 1. So depending on what exactly you are searching, you will be able to choose e books to suit your own need. Need to access completely for Campbell Biology Seventh Edition book? Access Ebook without any digging. And by having access to our ebook online or by storing it on your computer, you have convenient answers with Pcb Wizard Tutorial 1 To get started finding Pcb Wizard Tutorial 1, you are right to find our website which has a comprehensive collection of books online. Our library is the biggest of these that have literally hundreds of thousands of different products represented. You will also see that there are specific sites catered to different categories or niches related with Pcb Wizard Tutorial 1 So depending on what exactly you are searching, you will be able to choose ebook to suit your own need. Thank you for reading Pcb Wizard Tutorial 1. Maybe you have knowledge that, people have search numerous times for their favorite readings like this Pcb Wizard Tutorial 1, but end up in harmful downloads. Rather than reading a good book with a cup of coffee in the afternoon, instead they juggled with some harmful bugs inside their laptop. Pcb Wizard Tutorial 1 is available in our book collection an online access to it is set as public so you can download it instantly. Our digital library spans in multiple locations, allowing you to get the most less latency time to download any of our books like this one. Merely said, Pcb Wizard Tutorial 1 is universally compatible with any devices to read.

Find Pcb Wizard Tutorial 1 :

checklist for startups 77-1937 content marketing checklist for startups

77-1506 luxury travel step by step United States 77-474 luxury travel

entrepreneurs 77-602 electric vehicles case study for entrepreneurs

startups 77-89 mental wellness checklist USA 77-2803 mental wellness

marketing ideas for creators 77-2206 affiliate marketing ideas for

roadmap for startups 77-2613 crypto trading software America 77-1417

small business 77-698 retirement planning checklist for startups 77-909

sustainable living case study USA 77-2856 sustainable living case study

travel examples for entrepreneurs 77-1503 luxury travel examples for

business 77-2253 smart home tech blueprint for startups 77-1909 smart

estate investing comparison United States 77-984 real estate investing

software for entrepreneurs 77-158 resume writing step by step USA

guide America 77-2101 affiliate marketing ideas America 77-1118

side hustles guide USA 77-2700 side hustles guide for small business

for creators 77-2720 freelancing online trends for creators 77-2955

Pcb Wizard Tutorial 1 :

case 580n 580sn 580sn wt 590sn service manual - Oct 05 2022

web description case 580n 580sn 580sn wt 590sn backhoe loaders repair manual contains workshop manual detailed removal installation disassembly and assembly electrical wiring diagram hydraulic schematic diagnostic specification torque values pdf

case 580n 580sn wt 580sn 590sn backhoe loader service manual - Jun 13 2023

web the case 580n 580sn wt 580sn 590sn backhoe loader service manual contains detailed maintenance service repair adjustment and troubleshooting procedures for the loader product details size 330 mb format pdf language english number of pages 2895 pages type of document service manual

580sn n series backhoe loaders case construction equipment - Aug 15 2023

web specifications main specifications engine case 445ta e3 net hp kw rpm 95 hp 71 kw 2200 rpm net max torque 1400 rpm 328 lb ft 445 n m 333 lb ft 452 n m w viscous fan dig depth classification 14 to 15 ft standard transmission powershuttle powershift backhoe breakout bucket 14 223 lbf 63 267 kn dipper 9 069

case 580n 580sn wt 580sn 590sn backhoe loader repair manual - Jul 02 2022

web for this the old international harvester logo was returned and in addition there were significant differences between the two existing brands within the corporation case 580n 580sn wt 580sn 590sn backhoe loader repair manual with free download at best manuals com case 84516378

case 580n service manual pdf download manualslib - Jul 14 2023

web view and download case 580n service manual online tractor loader backhoe 580n compact loader pdf manual download also for 580sn wt 580sn 590sn

case 580sn wt manuals manualslib - Jun 01 2022

web manuals and user guides for case 580sn wt we have 2 case 580sn wt manuals available for free pdf download service manual case 580sn wt service manual 82 pages

case 580n 580sn wt 580sn 590sn service manual version - Aug 03 2022

web case 580n 580sn wt 580sn 590sn service manual type of machine backhoe loader print no 47365539 july 2012 language and format english pdf instant download after payment please make sure your email address is correct table of contents introduction 1 engine 2 transmission 3 front axle system 4 rear axle system 5

case 580n 580sn 580sn wt 590sn service manual - Mar 30 2022

web the case 580n 580sn 580sn wt and 590sn backhoe loaders repair manual is a comprehensive guide that provides everything you need to know for repairing and maintaining these powerful machines with this workshop manual you ll have access to detailed instructions for removal installation disassembly and assembly of various

580 super n construction king case construction equipment - Sep 16 2023

web case 580 super n construction king super is a title that has to be earned expanding on the rock solid legacy of previous generations the tier 4 final super n is quicker more powerful more efficient and more productive than ever before a reengineered powerdrive transmission option tackles hills and heavy loads with ease and the

case 580n 580sn 580sn wt 590sn operator s manual manuals - May 12 2023

web description the case 580n 580sn 580sn wt and 590sn backhoe loaders operator s manual is your comprehensive guide to operating maintaining and servicing these powerful machines whether you re a seasoned operator or new to the world of backhoe loaders this manual has got you covered

case 580n sn wt sn 590sn tractor loader service manuals - Jan 08 2023

web manuals come in pdf format all pages are printable and readable we recommend to use adobe pdf reader to be sure all images graphics will display correctly this set includes following pdf manuals case 580n 580sn wt 580sn 590sn tractor loader backhoe service manual 2895 pages case 580n 580sn wt 580sn 590sn loader

case 580n 580sn 580sn wt 590sn manual 2880 2895 - Feb 09 2023

web case 580n 580sn 580sn wt 590sn manual 2880 2895 read online for free case 580 n manual de servicio para taller mantenimiento

case 580sn manuals manualslib - Oct 17 2023

web manuals and user guides for case 580sn we have 2 case 580sn manuals available for free pdf download service manual case 580sn service manual 82 pages

case 580n 580sn 580sn wt 590sn workshop repair service manual - Apr 11 2023

web may 19 2020 this manual for case 580n 580sn 580sn wt 590sn tractor loader backhoe is divided into different sections each section covers a specific component or system and in addition to the standard service procedures includes disassembling inspecting and assembling instructions

case 580sn wt loader backhoe operator manual issuu - Dec 07 2022

web jan 19 2019 read case 580sn wt loader backhoe operator manual by 1639629 on issuu and browse thousands of other publications on our platform start here

case 580n 580sn 580sn wt 590sn service manual manuals - Feb 26 2022

web the case 580n 580sn and 580sn wt backhoe loaders repair manual is a comprehensive guide that provides everything

you need to effectively repair and maintain these powerful machines whether you re a professional mechanic or a do it yourself enthusiast this workshop manual is a valuable resource

download case 580n service manual manualslib - Mar 10 2023

web case 580n service manual brand case category compact loader size 5 79 mb pages 81 this manual is also suitable for 580sn wt 580sn 590sn please tick the box below to get your link

case 580n manuals manualslib - Apr 30 2022

web manuals and user guides for case 580n we have 2 case 580n manuals available for free pdf download service manual case 580n service manual 82 pages

case 580n 580sn wt 580sn 590sn backhoe loader service manual - Nov 06 2022

web dec 15 2021 case 580n 580sn wt 580sn 590sn backhoe loader service manual 5 00 out of 5 1 customer review add a review 38 00 case 580n 580sn wt 580sn 590sn loader service manual tier 3 2945 pages case 580n 580sn wt 580sn 590sn loader service manual tier 4b 3602 pages publication number 47830958

case 580n 580sn wt 580sn 590sn loader backhoe operator manuals - Sep 04 2022

web case 580n 580sn wt 580sn 590sn loader backhoe operator manuals pdf download this operator manual is a must have for owners of case 580n 580sn wt 580sn 590sn loader backhoes it includes detailed illustrations instructions and diagrams to help you get the most out of your machine

effektive softwarearchitekturen 9 auflage 2020 beck shop de - Feb 08 2023

web effektive software architekturen ein praktischer leitfaden starke gernot amazon de books

hanser e books effektive softwarearchitekturen ein - Nov 05 2022

web dieses buch gibt es in einer neuen auflage effektive softwarearchitekturen ein praktischer leitfaden 49 99 31 auf lager aktueller Überblick und methodische

effektive softwarearchitekturen ein praktischer l - Dec 26 2021

web this online declaration effektive softwarearchitekturen ein praktischer l can be one of the options to accompany you past having additional time it will not waste your time

effektive softwarearchitekturen hanser books - Mar 29 2022

web vmh97 ist ein einstieg in das v modell das offizielle vorgehensmodell zur entwicklung von it systemen bei deutschen behörden da die ursache der meisten krankheiten in

effektive softwarearchitekturen ein praktischer leitfaden - Sep 03 2022

web jul 7 2015 dieser praxisleitfaden zeigt ihnen wie sie softwarearchitekturen effektiv und systematisch entwickeln können gernot starke unterstützt sie mit praktischen tipps

effektive softwarearchitekturen ein praktischer leitfaden - Jan 07 2023

web dieser praxisleitfaden zeigt ihnen wie sie softwarearchitekturen effektiv und systematisch entwickeln können gernot starke unterstützt sie mit praktischen tipps

effektive softwarearchitekturen ein praktischer leitfaden - Aug 14 2023

web dieser praxisleitfaden zeigt ihnen wie sie softwarearchitekturen effektiv und systematisch entwickeln können gernot starke unterstützt sie mit praktischen tipps

effektive softwarearchitekturen hanser fachbuch - Apr 10 2023

web software architekten müssen komplexe fachliche und technische anforderungen an it systeme umsetzen und diese systeme durch nachvollziehbare strukturen flexibel und

effektive softwarearchitekturen ein praktischer leitfaden - Jul 01 2022

web effektive softwarearchitekturen ein praktischer leitfaden bearbeitet von gernot starke 8 überarbeitete auflage 2017 buch 453 s gebunden isbn 978 3 446 45207 7 format

effektive software architekturen - Oct 04 2022

web dieser praxisleitfaden zeigt ihnen wie sie softwarearchitekturen effektiv und systematisch entwickeln können gernot starke unterstützt sie mit praktischen tipps

effektive softwarearchitekturen ebook pdf bücher de - Aug 02 2022

web dieser praxisleitfaden zeigt ihnen wie sie softwarearchitekturen effektiv und systematisch entwickeln können gernot starke unterstützt sie mit praktischen tipps

effektive software architekturen ein praktischer leitfaden - Dec 06 2022

web ein praktischer leitfaden 7 aufl age starke effektive softwarearchitekturen bleiben sie auf dem laufenden unser computerbuch newsletter informiert sie monatlich über

effektive softwarearchitekturen ein praktischer leitfaden pdf - Nov 24 2021

web jul 28 2023 as skillfully as insight of this effektive softwarearchitekturen ein praktischer l can be taken as with ease as picked to act architecture principles danny

gernot starke effektive software architekturen - Feb 25 2022

web effektive softwarearchitekturen ein praktischer l 3 3 project cesar for improving and enabling interoperability of methods tools and processes to meet the demands in

effektive softwarearchitekturen ein praktischer l - Oct 24 2021

effektive softwarearchitekturen ein praktischer leitfaden - May 11 2023

web dieser praxisleitfaden zeigt ihnen wie sie softwarearchitekturen effektiv und systematisch entwickeln können gernot starke unterstützt sie mit praktischen tipps
effektive softwarearchitekturen ein praktischer l uniport edu - Sep 22 2021

effektive softwarearchitekturen readingsample - Apr 29 2022

web effektive software architekturen ein praktischer leitfaden isbn 10 3 446 41215 8 isbn 13 978 3 446 41215 6
inhaltsverzeichnis weitere informationen oder bestellungen unter

effektive softwarearchitekturen von gernot starke buch 978 - May 31 2022

web can t sign in forgot your username enter your email address below and we will send you your username

effektive softwarearchitekturen ein praktischer leitfaden - Jul 13 2023

web dieser praxisleitfaden zeigt ihnen wie sie software architekturen effektiv und systematisch ent wickeln können gernot starke unterstützt sie mit praktischen tipps

effektive softwarearchitekturen ein praktischer leitfaden - Jun 12 2023

web effektive softwarearchitekturen downloaded from hanser elibrary com by 20 79 107 247 on june 2 2023 for personal use only stichwortverzeichnis 435

effektive software architekturen ein praktischer leitfaden - Jan 27 2022

web read download pdf effektive softwarearchitekturen ein praktischer leitfaden by gernot starke update the latest version with high quality try now

effektive softwarearchitekturen esa - Mar 09 2023

web dieses buch gibt es in einer neuen auflage effektive softwarearchitekturen ein praktischer leitfaden 49 99 32 auf lager aktueller Überblick und methodische

force the key to capturing life through drawing paperback - Mar 01 2023

web force the key to capturing life through drawing how customer reviews and ratings work sign in to filter reviews 22 total ratings 13 with reviews from the united states

force the key to capturing life through drawing - Aug 06 2023

web jun 1 2004 in stock prepare to experience a brand new thought process on the drawing of life and the expression of energy this important concept is also the least talked about

force the key to capturing life through drawing alibris - Sep 26 2022

web aug 21 2013 force the key to capturing life through drawing art doesn t reproduce the visible rather it makes visible paul klee pencil tuts sharing a book by michael d

force the key to capturing life through drawing 2022 - Dec 18 2021

web jan 1 2003 prepare yourself for a brand new thought process on drawing michael mattesi takes you on an exciting and provocative journey through multiple methods of thinking

force the key to capturing life through drawing pdf - Mar 21 2022

web the key to capturing life through drawing uploaded by yess roc martinez copyright all rights reserved flag for inappropriate content of 52 forces overlap forcefil

force the key to capturing life through drawing medium - Aug 26 2022

web dec 22 2010 learn to approach drawing through michael s groundbreaking theory about force and its relationship to rhythm form shape clothing reportage animals the

force the key to capturing life through drawing - Apr 21 2022

web this important concept is also the least talked about subject in figure drawing classes today artist michael mattesi is your guide on an exciting and provocative journey

mattesi mike force the key to capturing life through drawing - Jul 25 2022

web buy a cheap copy of force the key to capturing life through book by michael d mattesi prepare to experience a brand new thought process on the drawing of life and

force the key to capturing life through drawing paperback - Nov 28 2022

web java programming guide quick reference sneetsher crispy 22466506 michael d mattesi force the key to capturing life through drawing 1 2 pdf free ebook

force the key to capturing life through drawing amazon com - Nov 16 2021

force the key to capturing life through drawing - Jan 19 2022

web force the key to capturing life through drawing downloaded from stage gapinc com by guest grant robinson carbon capture and sequestration legislation diane

force the key to capturing life through drawing softcover - Dec 30 2022

web michael mattesi has authored four force books published in numerous languages utilized around the world to inspire and educate artists on the concept of force the first has

force the key to capturing life through drawing pdf scribd - Feb 17 2022

web life force zach hughes daw books isbn 0886772974 and god said let the earth bring forth the living creature after h

force the key to capturing life through drawing amazon com - Jan 31 2023

web view all copies of this isbn edition synopsis about this edition prepare to experience a brand new thought process on the

drawing of life and the expression of energy this

michael d mattesi force the key to capturing life through - Oct 28 2022

web prepare to experience a brand new thought process on the drawing of life and the expression of energy this important concept is also the least talked about subject in

force the key to capturing life through drawing softcover - Apr 02 2023

web force the key to capturing life through drawing mattesi michael d 9780595317585 books amazon ca

force the key to capturing life through drawing amazon com - Jul 05 2023

web sep 1 2003 prepare yourself for a brand new thought process on drawing michael mattesi takes you on an exciting and provocative journey through multiple methods of thinking

force the key to capturing life through drawing - Oct 08 2023

web artist michael mattesi is your guide on an exciting and provocative journey through multiple methods of thinking using easy to understand critiques of dynamic drawings learn to approach drawing through michael s groundbreaking theory about force and its

force the key to capturing life through drawing google books - Jun 04 2023

web buy force the key to capturing life through drawing by mattesi michael d isbn 9780595317585 from amazon s book store everyday low prices and free delivery on

force the key to capturing life through drawing thriftbooks - Jun 23 2022

web aug 21 2013 art doesn t reproduce the visible rather it makes visible paul klee this week pencil tuts sharing a book by michael d mattesi which enlightens you on how to see

force the key to capturing life through drawing - May 23 2022

web buy a copy of force the key to capturing life through drawing book by mike mattesi prepare to experience a brand new thought process on the drawing of life and the

force the key to capturing life through drawing paperback - May 03 2023

web artist michael mattesi is your guide on an exciting and provocative journey through multiple methods of thinking using easy to understand critiques of dynamic drawings learn to

force the key to capturing life through drawin pdf - Sep 07 2023

web forse the key to capturing life through drawin pdf collection opensource addeddate 2020 04 17 09 13 24 identifier