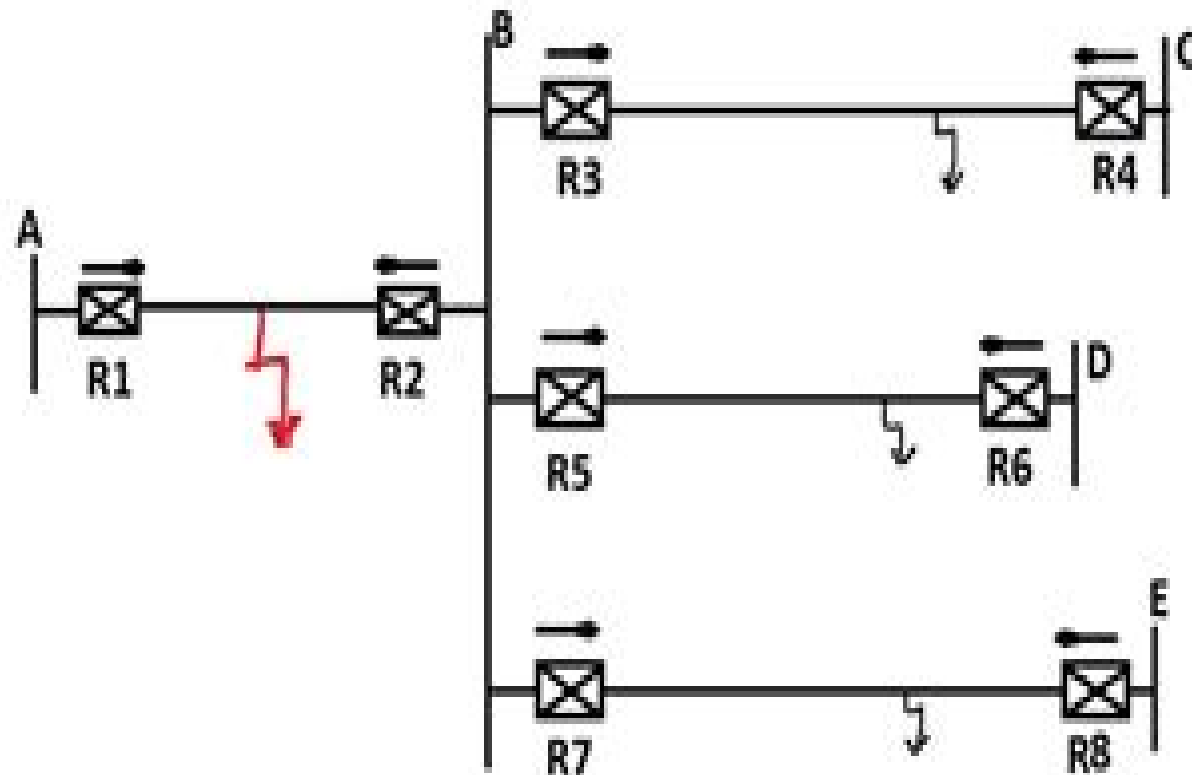


Distance relays can be classified into phase relay and ground relays. Phase relays are used to protect the transmission line against phase faults (three phase, L-L) and ground relays are used to protect against ground faults (S-L-G, L-L-G).



The distance relay R1 has to provide primary protection to line AB and back up protection to lines BC, BD and BE.

# 21 Distance Relay T

**Lei Shi**



## **21 Distance Relay T:**

Embark on a transformative journey with his captivating work, Discover the Magic in **21 Distance Relay T** . This enlightening ebook, available for download in a convenient PDF format Download in PDF: , invites you to explore a world of boundless knowledge. Unleash your intellectual curiosity and discover the power of words as you dive into this riveting creation. Download now and elevate your reading experience to new heights .

<https://py.bijouxmedusa.com/book/scholarship/HomePages/for%20startups%2019%201816%20budget%20travel%20checklist%20united%20states%2019%201288.pdf>

## **Table of Contents 21 Distance Relay T**

1. Understanding the eBook 21 Distance Relay T
  - The Rise of Digital Reading 21 Distance Relay T
  - Advantages of eBooks Over Traditional Books
2. Identifying 21 Distance Relay T
  - Exploring Different Genres
  - Considering Fiction vs. Non-Fiction
  - Determining Your Reading Goals
3. Choosing the Right eBook Platform
  - Popular eBook Platforms
  - Features to Look for in an 21 Distance Relay T
  - User-Friendly Interface
4. Exploring eBook Recommendations from 21 Distance Relay T
  - Personalized Recommendations
  - 21 Distance Relay T User Reviews and Ratings
  - 21 Distance Relay T and Bestseller Lists
5. Accessing 21 Distance Relay T Free and Paid eBooks
  - 21 Distance Relay T Public Domain eBooks
  - 21 Distance Relay T eBook Subscription Services

- 21 Distance Relay T Budget-Friendly Options
- 6. Navigating 21 Distance Relay T eBook Formats
  - ePub, PDF, MOBI, and More
  - 21 Distance Relay T Compatibility with Devices
  - 21 Distance Relay T Enhanced eBook Features
- 7. Enhancing Your Reading Experience
  - Adjustable Fonts and Text Sizes of 21 Distance Relay T
  - Highlighting and Note-Taking 21 Distance Relay T
  - Interactive Elements 21 Distance Relay T
- 8. Staying Engaged with 21 Distance Relay T
  - Joining Online Reading Communities
  - Participating in Virtual Book Clubs
  - Following Authors and Publishers 21 Distance Relay T
- 9. Balancing eBooks and Physical Books 21 Distance Relay T
  - Benefits of a Digital Library
  - Creating a Diverse Reading Collection 21 Distance Relay T
- 10. Overcoming Reading Challenges
  - Dealing with Digital Eye Strain
  - Minimizing Distractions
  - Managing Screen Time
- 11. Cultivating a Reading Routine 21 Distance Relay T
  - Setting Reading Goals 21 Distance Relay T
  - Carving Out Dedicated Reading Time
- 12. Sourcing Reliable Information of 21 Distance Relay T
  - Fact-Checking eBook Content of 21 Distance Relay T
  - Distinguishing Credible Sources
- 13. Promoting Lifelong Learning
  - Utilizing eBooks for Skill Development
  - Exploring Educational eBooks
- 14. Embracing eBook Trends

- Integration of Multimedia Elements
- Interactive and Gamified eBooks

### 21 Distance Relay T Introduction

21 Distance Relay T Offers over 60,000 free eBooks, including many classics that are in the public domain. Open Library: Provides access to over 1 million free eBooks, including classic literature and contemporary works. 21 Distance Relay T Offers a vast collection of books, some of which are available for free as PDF downloads, particularly older books in the public domain. 21 Distance Relay T : This website hosts a vast collection of scientific articles, books, and textbooks. While it operates in a legal gray area due to copyright issues, its a popular resource for finding various publications. Internet Archive for 21 Distance Relay T : Has an extensive collection of digital content, including books, articles, videos, and more. It has a massive library of free downloadable books. Free-eBooks 21 Distance Relay T Offers a diverse range of free eBooks across various genres. 21 Distance Relay T Focuses mainly on educational books, textbooks, and business books. It offers free PDF downloads for educational purposes. 21 Distance Relay T Provides a large selection of free eBooks in different genres, which are available for download in various formats, including PDF. Finding specific 21 Distance Relay T, especially related to 21 Distance Relay T, might be challenging as theyre often artistic creations rather than practical blueprints. However, you can explore the following steps to search for or create your own Online Searches: Look for websites, forums, or blogs dedicated to 21 Distance Relay T, Sometimes enthusiasts share their designs or concepts in PDF format. Books and Magazines Some 21 Distance Relay T books or magazines might include. Look for these in online stores or libraries. Remember that while 21 Distance Relay T, sharing copyrighted material without permission is not legal. Always ensure youre either creating your own or obtaining them from legitimate sources that allow sharing and downloading. Library Check if your local library offers eBook lending services. Many libraries have digital catalogs where you can borrow 21 Distance Relay T eBooks for free, including popular titles. Online Retailers: Websites like Amazon, Google Books, or Apple Books often sell eBooks. Sometimes, authors or publishers offer promotions or free periods for certain books. Authors Website Occasionally, authors provide excerpts or short stories for free on their websites. While this might not be the 21 Distance Relay T full book , it can give you a taste of the authors writing style. Subscription Services Platforms like Kindle Unlimited or Scribd offer subscription-based access to a wide range of 21 Distance Relay T eBooks, including some popular titles.

### FAQs About 21 Distance Relay T Books

1. Where can I buy 21 Distance Relay T books? Bookstores: Physical bookstores like Barnes & Noble, Waterstones, and independent local stores. Online Retailers: Amazon, Book Depository, and various online bookstores offer a wide range of books in physical and digital formats.
2. What are the different book formats available? Hardcover: Sturdy and durable, usually more expensive. Paperback: Cheaper, lighter, and more portable than hardcovers. E-books: Digital books available for e-readers like Kindle or software like Apple Books, Kindle, and Google Play Books.
3. How do I choose a 21 Distance Relay T book to read? Genres: Consider the genre you enjoy (fiction, non-fiction, mystery, sci-fi, etc.). Recommendations: Ask friends, join book clubs, or explore online reviews and recommendations. Author: If you like a particular author, you might enjoy more of their work.
4. How do I take care of 21 Distance Relay T books? Storage: Keep them away from direct sunlight and in a dry environment. Handling: Avoid folding pages, use bookmarks, and handle them with clean hands. Cleaning: Gently dust the covers and pages occasionally.
5. Can I borrow books without buying them? Public Libraries: Local libraries offer a wide range of books for borrowing. Book Swaps: Community book exchanges or online platforms where people exchange books.
6. How can I track my reading progress or manage my book collection? Book Tracking Apps: Goodreads, LibraryThing, and Book Catalogue are popular apps for tracking your reading progress and managing book collections. Spreadsheets: You can create your own spreadsheet to track books read, ratings, and other details.
7. What are 21 Distance Relay T audiobooks, and where can I find them? Audiobooks: Audio recordings of books, perfect for listening while commuting or multitasking. Platforms: Audible, LibriVox, and Google Play Books offer a wide selection of audiobooks.
8. How do I support authors or the book industry? Buy Books: Purchase books from authors or independent bookstores. Reviews: Leave reviews on platforms like Goodreads or Amazon. Promotion: Share your favorite books on social media or recommend them to friends.
9. Are there book clubs or reading communities I can join? Local Clubs: Check for local book clubs in libraries or community centers. Online Communities: Platforms like Goodreads have virtual book clubs and discussion groups.
10. Can I read 21 Distance Relay T books for free? Public Domain Books: Many classic books are available for free as they're in the public domain. Free E-books: Some websites offer free e-books legally, like Project Gutenberg or Open Library.

**Find 21 Distance Relay T :**

**for startups 19-1816 budget travel checklist United States 19-1288**

strategies USA 19-1018 TikTok marketing strategies for small business

for startups 19-611 productivity hacks roadmap United States 19-2764

**startups 19-2574 mobile app ideas trends USA 19-1632 mobile app ideas**

**small business 19-1603 retirement planning tools for small business**

trading tutorial for creators 19-1861 cybersecurity apps America 19-590

coding for beginners comparison for small business 19-1138 coding for

19-2036 print on demand tips for entrepreneurs 19-2467 print on demand

**investing blueprint USA 19-2056 crypto investing blueprint USA 19-902**

credit score improvement checklist for small business 19-998 credit

19-1378 sustainable living best practices for entrepreneurs 19-1964

monetization strategies America 19-682 blog monetization tips for

**demand tutorial for small business 19-741 print on demand tutorial for**

budget travel explained for entrepreneurs 19-1972 budget travel for

19-95 parenting tips ideas for entrepreneurs 19-1252 parenting tips

**21 Distance Relay T :**

Technology Made Simple for the Technical Recruiter ... Written in clear and concise prose, Technology Made Simple for the Technical Recruiter is an invaluable resource for any technical recruiter. Technology Made Simple for the Technical Recruiter, ... Written in clear and concise prose, Technology Made Simple for the Technical Recruiter is an invaluable resource for any technical recruiter. Technology Made Simple for the Technical Recruiter Technology Made Simple for the Technical Recruiter: A Technical Skills Primer ... This guidebook for technical recruiters is an essential resource for those who ... Technology Made Simple for the Technical Recruiter ... This technical skills primer focuses on technology fundamentals-from basic programming terms to big data vocabulary, network lingo, operating system jargon, and ... Technology Made Simple for the Technical Recruiter Sign up. Jump to ratings and reviews. Technology Made Simple for the Technical Recruiter: A Technical Skills Primer. Obi Ogbanufe. 4.00. 105 ratings11 reviews. Technology Made Simple for the Technical Recruiter Jul 9, 2010 — This guidebook for technical recruiters is an essential resource for those who are serious about keeping their skills up-to-date in the ... Technology Made Simple for the Technical Recruiter ... This technical skills

primer focuses on technology fundamentals—from basic programming terms to big data vocabulary, network lingo, operating system jargon, and ... Technology Made Simple for the Technical Recruiter ... This technical skills primer focuses on technology fundamentals—from basic programming terms to big data vocabulary, network lingo, operating system jargon, and ... Technology Made Simple for the Technical Recruiter ... It is designed to equip recruiters with the necessary knowledge and understanding of technical roles, skills, and requirements. This book is not only a primer ... Technology Made Simple for the Technical Recruiter ... Buy the book Technology Made Simple for the Technical Recruiter, Second Edition: A Technical Skills Primer by obi ogbanufe at Indigo.

Ford Windstar (1999-2003) fuses and relays The fuse panel is located to the left under the instrument panel. The location of the fuses in the passenger compartment: Ford Windstar (1999-2003 ... 2000 Ford Windstar fuse box diagram 2000 Ford Windstar fuse box diagram. The 2000 Ford Windstar has 2 different fuse boxes: Passenger compartment fuse panel diagram. Ford Windstar fuse box diagrams for all years Ford Windstar fuse box and relays diagrams. Explore interactive fuse box and relay diagrams for the Ford Windstar. Fuse boxes change across years, ... Fuse box location and diagrams: Ford Windstar (1999-2003) 2000 Ford Windstar Fuse Box Diagram Joseph Vieira Sr. Ford Windstar 2000 Fuse Box/Block Circuit Breaker Diagram Oct 23, 2023 — Ford Windstar 2000 Fuse Box/Block Circuit Breaker Diagram ; 3, 10A, A/C Clutch ; 4, 25A, Horn ; 5, 15A, Fuel Pump ; 6, 30A, Front Wiper/washer. Ford Windstar (1998 - 2003) - fuse box diagram Jul 6, 2018 — Ford Windstar (1998 - 2003) - fuse box diagram. Year of production: 1998, 1999, 2000, 2001, 2002, 2003. Passenger Compartment Fuse Panel. Fuses And Relays - Ford Windstar Owner's Manual Ford Windstar Manual Online: Fuses And Relays. Fuses If electrical components in the vehicle are not working, a fuse may have blown. I desperately need a fuse panel diagram for a 2001 Ford ... Dec 5, 2009 — Hi, below are the diagrams for the battery junction box under the hood and the central junction box under the drivers side dash, thanks.

KODAK EASYSHARE CD14 Digital Camera See your printer user's guide for details. □ Make prints at an SD/SDHC Card ... Download the latest versions of KODAK EASYSHARE Software and the camera. Kodak EasyShare Z1012 IS digital camera printer user guide or visit [www.kodak.com/go/z1012accessories](http://www.kodak.com/go/z1012accessories).) Printing from an EasyShare all-in-one printer. 1 Turn on the printer. Turn on the camera. The ... Kodak EasyShare Camera Instruction Manual PDF, Free ... User Guides & Manuals for Kodak Digital Cameras, Film Cameras & Vintage Cameras PDF Operating Instructions in English - Free Download. Kodak EasyShare-One zoom digital camera More than just a digital camera, the Kodak. EasyShare-One zoom digital camera combines. Kodak's signature ease-of-use with new technology into a single, ... Kodak EasyShare V705 dual lens digital camera Manual: You choose the first and last frames; the camera chooses 2, 7, or 14 equally spaced frames. Full Manual: You choose 4, 9, or 16 frames. A 4-, 9-, or 16- ... KODAK EASYSHARE Digital Frames KODAK EASYSHARE Digital Frames. Extended user guide. P730/P730m/P736 [www.kodak.com](http://www.kodak.com) · For help with your digital frame, [www.kodak.com/go/digitalframesupport](http://www.kodak.com/go/digitalframesupport) ... Free Kodak Digital Camera User Manuals | ManualsOnline.com Camera manuals and free digital camera pdf instructions. Find the user

manual you need for your camera and more at ManualsOnline. Download User Manuals Download User Manuals ; Scanza. SCANZA User Manual. Pocket Portable Projector. Pocket Portable Projector User Manual ; Mini Shot Instant Camera. Mini Shot Instant ... Kodak EasyShare C663 zoom digital camera For details, see Transferring and printing pictures, page 13. Attaching the strap. Follow the on-screen instructions. We recommend Complete or Easy Install. KODAK EASYSHARE Z915 Digital Camera [www.kodak.com/go/support](http://www.kodak.com/go/support). Appendix. Important safety instructions. CAUTION: Do not disassemble this product; there are no user-serviceable parts inside. Refer ...