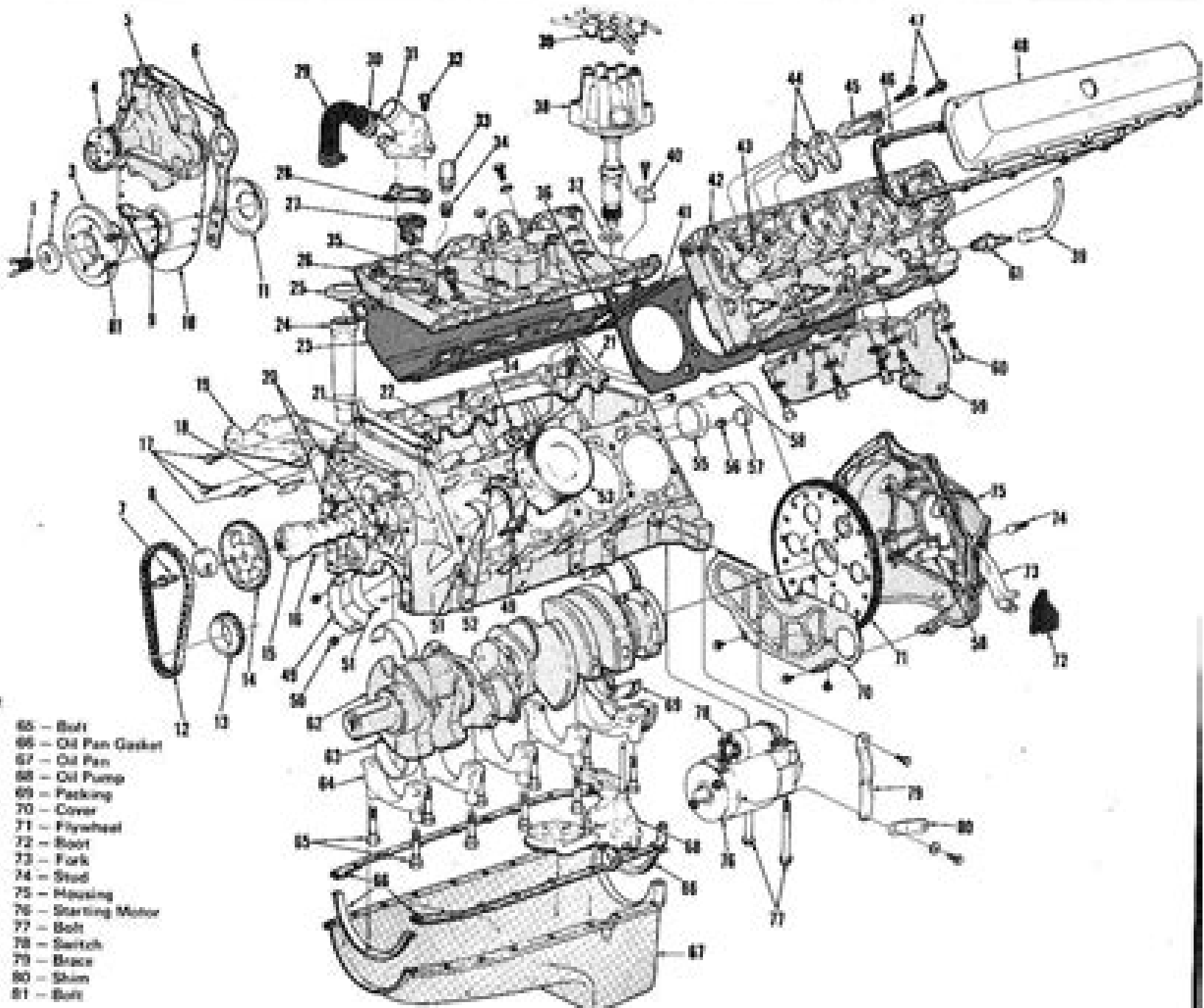


- 1 - Rollers
- 4 - Hub
- 5 - Water Pump
- 6 - Gasket
- 7 - Bolt
- 8 - Eccentric
- 9 - Indicator
- 10 - Cover
- 11 - Slinger
- 12 - Timing Chain
- 13 - Gear, Crankshaft
- 14 - Gear, Camshaft
- 15 - Camshaft
- 16 - Pin
- 17 - Bolt
- 18 - Bottle
- 19 - Bracket
- 20 - Plug
- 21 - Seal
- 22 - Bottle
- 23 - Gasket
- 24 - Tube
- 25 - Cap
- 26 - Intake Manifold
- 27 - Thermostat
- 28 - Gasket
- 29 - Hose
- 30 - Clamp
- 31 - Outlet
- 32 - Bolt
- 33 - Switch
- 34 - Plug
- 35 - Bolt
- 36 - Push Rod
- 37 - Gasket
- 38 - Distributor
- 39 - Wire
- 40 - Clamp
- 41 - Head Gasket
- 42 - Head
- 43 - Spring
- 44 - Rocker Arm
- 45 - Push Rod Pin
- 46 - Valve Cover Gasket
- 47 - Bolt
- 48 - Cover
- 49 - Connecting Rod
- 50 - Nut
- 51 - Bearing
- 52 - Bolt
- 53 - Piston & Pin
- 54 - Valve Lifter
- 55 - Plug
- 56 - Plug
- 57 - Plug
- 58 - Pin
- 59 - Exhaust Manifold
- 60 - Bolt
- 61 - Spark Plug
- 62 - Crankshaft
- 63 - Bearing
- 64 - Cap
- 65 - Bolt
- 66 - Oil Pan Gasket
- 67 - Oil Pan
- 68 - Oil Pump
- 69 - Packing
- 70 - Cover
- 71 - Flywheel
- 72 - Bolt
- 73 - Fork
- 74 - Stud
- 75 - Housing
- 76 - Starting Motor
- 77 - Bolt
- 78 - Switch
- 79 - Brace
- 80 - Shim
- 81 - Bolt



3 8 Ford Engine Components Disassembled View

Guillaume Favre



3 8 Ford Engine Components Disassembled View:

The Enigmatic Realm of **3 8 Ford Engine Components Disassembled View**: Unleashing the Language is Inner Magic

In a fast-paced digital era where connections and knowledge intertwine, the enigmatic realm of language reveals its inherent magic. Its capacity to stir emotions, ignite contemplation, and catalyze profound transformations is nothing lacking extraordinary. Within the captivating pages of **3 8 Ford Engine Components Disassembled View** a literary masterpiece penned by way of a renowned author, readers embark on a transformative journey, unlocking the secrets and untapped potential embedded within each word. In this evaluation, we shall explore the book's core themes, assess its distinct writing style, and delve into its lasting impact on the hearts and minds of those that partake in its reading experience.

<https://py.bijouxmedusa.com/data/publication/HomePages/mastering%20kali%20linux%20for%20advanced%20penetration%20testing%20beggs%20robert%20w%20.pdf>

Table of Contents 3 8 Ford Engine Components Disassembled View

1. Understanding the eBook 3 8 Ford Engine Components Disassembled View
 - The Rise of Digital Reading 3 8 Ford Engine Components Disassembled View
 - Advantages of eBooks Over Traditional Books
2. Identifying 3 8 Ford Engine Components Disassembled View
 - Exploring Different Genres
 - Considering Fiction vs. Non-Fiction
 - Determining Your Reading Goals
3. Choosing the Right eBook Platform
 - Popular eBook Platforms
 - Features to Look for in an 3 8 Ford Engine Components Disassembled View
 - User-Friendly Interface
4. Exploring eBook Recommendations from 3 8 Ford Engine Components Disassembled View
 - Personalized Recommendations
 - 3 8 Ford Engine Components Disassembled View User Reviews and Ratings

- 3 8 Ford Engine Components Disassembled View and Bestseller Lists
- 5. Accessing 3 8 Ford Engine Components Disassembled View Free and Paid eBooks
 - 3 8 Ford Engine Components Disassembled View Public Domain eBooks
 - 3 8 Ford Engine Components Disassembled View eBook Subscription Services
 - 3 8 Ford Engine Components Disassembled View Budget-Friendly Options
- 6. Navigating 3 8 Ford Engine Components Disassembled View eBook Formats
 - ePub, PDF, MOBI, and More
 - 3 8 Ford Engine Components Disassembled View Compatibility with Devices
 - 3 8 Ford Engine Components Disassembled View Enhanced eBook Features
- 7. Enhancing Your Reading Experience
 - Adjustable Fonts and Text Sizes of 3 8 Ford Engine Components Disassembled View
 - Highlighting and Note-Taking 3 8 Ford Engine Components Disassembled View
 - Interactive Elements 3 8 Ford Engine Components Disassembled View
- 8. Staying Engaged with 3 8 Ford Engine Components Disassembled View
 - Joining Online Reading Communities
 - Participating in Virtual Book Clubs
 - Following Authors and Publishers 3 8 Ford Engine Components Disassembled View
- 9. Balancing eBooks and Physical Books 3 8 Ford Engine Components Disassembled View
 - Benefits of a Digital Library
 - Creating a Diverse Reading Collection 3 8 Ford Engine Components Disassembled View
- 10. Overcoming Reading Challenges
 - Dealing with Digital Eye Strain
 - Minimizing Distractions
 - Managing Screen Time
- 11. Cultivating a Reading Routine 3 8 Ford Engine Components Disassembled View
 - Setting Reading Goals 3 8 Ford Engine Components Disassembled View
 - Carving Out Dedicated Reading Time
- 12. Sourcing Reliable Information of 3 8 Ford Engine Components Disassembled View
 - Fact-Checking eBook Content of 3 8 Ford Engine Components Disassembled View
 - Distinguishing Credible Sources

13. Promoting Lifelong Learning
 - Utilizing eBooks for Skill Development
 - Exploring Educational eBooks
14. Embracing eBook Trends
 - Integration of Multimedia Elements
 - Interactive and Gamified eBooks

3 8 Ford Engine Components Disassembled View Introduction

Free PDF Books and Manuals for Download: Unlocking Knowledge at Your Fingertips In today's fast-paced digital age, obtaining valuable knowledge has become easier than ever. Thanks to the internet, a vast array of books and manuals are now available for free download in PDF format. Whether you are a student, professional, or simply an avid reader, this treasure trove of downloadable resources offers a wealth of information, conveniently accessible anytime, anywhere. The advent of online libraries and platforms dedicated to sharing knowledge has revolutionized the way we consume information. No longer confined to physical libraries or bookstores, readers can now access an extensive collection of digital books and manuals with just a few clicks. These resources, available in PDF, Microsoft Word, and PowerPoint formats, cater to a wide range of interests, including literature, technology, science, history, and much more. One notable platform where you can explore and download free 3 8 Ford Engine Components Disassembled View PDF books and manuals is the internet's largest free library. Hosted online, this catalog compiles a vast assortment of documents, making it a veritable goldmine of knowledge. With its easy-to-use website interface and customizable PDF generator, this platform offers a user-friendly experience, allowing individuals to effortlessly navigate and access the information they seek. The availability of free PDF books and manuals on this platform demonstrates its commitment to democratizing education and empowering individuals with the tools needed to succeed in their chosen fields. It allows anyone, regardless of their background or financial limitations, to expand their horizons and gain insights from experts in various disciplines. One of the most significant advantages of downloading PDF books and manuals lies in their portability. Unlike physical copies, digital books can be stored and carried on a single device, such as a tablet or smartphone, saving valuable space and weight. This convenience makes it possible for readers to have their entire library at their fingertips, whether they are commuting, traveling, or simply enjoying a lazy afternoon at home. Additionally, digital files are easily searchable, enabling readers to locate specific information within seconds. With a few keystrokes, users can search for keywords, topics, or phrases, making research and finding relevant information a breeze. This efficiency saves time and effort, streamlining the learning process and allowing individuals to focus on extracting the information they need. Furthermore, the availability of free PDF books and manuals

fosters a culture of continuous learning. By removing financial barriers, more people can access educational resources and pursue lifelong learning, contributing to personal growth and professional development. This democratization of knowledge promotes intellectual curiosity and empowers individuals to become lifelong learners, promoting progress and innovation in various fields. It is worth noting that while accessing free 3 8 Ford Engine Components Disassembled View PDF books and manuals is convenient and cost-effective, it is vital to respect copyright laws and intellectual property rights. Platforms offering free downloads often operate within legal boundaries, ensuring that the materials they provide are either in the public domain or authorized for distribution. By adhering to copyright laws, users can enjoy the benefits of free access to knowledge while supporting the authors and publishers who make these resources available. In conclusion, the availability of 3 8 Ford Engine Components Disassembled View free PDF books and manuals for download has revolutionized the way we access and consume knowledge. With just a few clicks, individuals can explore a vast collection of resources across different disciplines, all free of charge. This accessibility empowers individuals to become lifelong learners, contributing to personal growth, professional development, and the advancement of society as a whole. So why not unlock a world of knowledge today? Start exploring the vast sea of free PDF books and manuals waiting to be discovered right at your fingertips.

FAQs About 3 8 Ford Engine Components Disassembled View Books

How do I know which eBook platform is the best for me? Finding the best eBook platform depends on your reading preferences and device compatibility. Research different platforms, read user reviews, and explore their features before making a choice. Are free eBooks of good quality? Yes, many reputable platforms offer high-quality free eBooks, including classics and public domain works. However, make sure to verify the source to ensure the eBook credibility. Can I read eBooks without an eReader? Absolutely! Most eBook platforms offer webbased readers or mobile apps that allow you to read eBooks on your computer, tablet, or smartphone. How do I avoid digital eye strain while reading eBooks? To prevent digital eye strain, take regular breaks, adjust the font size and background color, and ensure proper lighting while reading eBooks. What the advantage of interactive eBooks? Interactive eBooks incorporate multimedia elements, quizzes, and activities, enhancing the reader engagement and providing a more immersive learning experience. 3 8 Ford Engine Components Disassembled View is one of the best book in our library for free trial. We provide copy of 3 8 Ford Engine Components Disassembled View in digital format, so the resources that you find are reliable. There are also many Ebooks of related with 3 8 Ford Engine Components Disassembled View. Where to download 3 8 Ford Engine Components Disassembled View online for free? Are you looking for 3 8 Ford Engine Components Disassembled View PDF? This is definitely going to save you time and cash in something you should think about. If you trying to find then search around for online. Without a doubt there are

numerous these available and many of them have the freedom. However without doubt you receive whatever you purchase. An alternate way to get ideas is always to check another 3 8 Ford Engine Components Disassembled View. This method for see exactly what may be included and adopt these ideas to your book. This site will almost certainly help you save time and effort, money and stress. If you are looking for free books then you really should consider finding to assist you try this. Several of 3 8 Ford Engine Components Disassembled View are for sale to free while some are payable. If you arent sure if the books you would like to download works with for usage along with your computer, it is possible to download free trials. The free guides make it easy for someone to free access online library for download books to your device. You can get free download on free trial for lots of books categories. Our library is the biggest of these that have literally hundreds of thousands of different products categories represented. You will also see that there are specific sites catered to different product types or categories, brands or niches related with 3 8 Ford Engine Components Disassembled View. So depending on what exactly you are searching, you will be able to choose e books to suit your own need. Need to access completely for Campbell Biology Seventh Edition book? Access Ebook without any digging. And by having access to our ebook online or by storing it on your computer, you have convenient answers with 3 8 Ford Engine Components Disassembled View To get started finding 3 8 Ford Engine Components Disassembled View, you are right to find our website which has a comprehensive collection of books online. Our library is the biggest of these that have literally hundreds of thousands of different products represented. You will also see that there are specific sites catered to different categories or niches related with 3 8 Ford Engine Components Disassembled View So depending on what exactly you are searching, you will be able to choose ebook to suit your own need. Thank you for reading 3 8 Ford Engine Components Disassembled View. Maybe you have knowledge that, people have search numerous times for their favorite readings like this 3 8 Ford Engine Components Disassembled View, but end up in harmful downloads. Rather than reading a good book with a cup of coffee in the afternoon, instead they juggled with some harmful bugs inside their laptop. 3 8 Ford Engine Components Disassembled View is available in our book collection an online access to it is set as public so you can download it instantly. Our digital library spans in multiple locations, allowing you to get the most less latency time to download any of our books like this one. Merely said, 3 8 Ford Engine Components Disassembled View is universally compatible with any devices to read.

Find 3 8 Ford Engine Components Disassembled View :

~~mastering kali linux for advanced penetration testing beggs robert w~~

mathematics linear 4365 2h h litcham school

~~maths watch higher gese questions and answers~~

~~market leader intermediate unit 3 change vocabulary~~

[manufacturing processes for engineering materials solution manual pdf](#)

[materials science engineering op khanna](#)

[marxism and literary criticism terry eagleton](#)

[martindale drug reference 38th edition](#)

[mathematics for economists international edition](#)

[mcz3001d datasheet](#)

[materi ilmu gizi dkbm](#)

[mathematical applications 10th edition](#)

[matlab for chemical engineers](#)

[mathematics a edexcel](#)

[mcdougal littell biology study guide answer key chapter 8](#)

3 8 Ford Engine Components Disassembled View :

if women rose rooted a life changing journey to bookshop - Aug 08 2022

web if women rose rooted a life changing journey to authenticity and belonging audiobook written by sharon blackie narrated by sharon blackie get instant access to

[if women rose rooted a life changing journey to](#) - Apr 16 2023

web aug 27 2019 booktopia has if women rose rooted a life changing journey to authenticity and belonging by sharon blackie buy a discounted paperback of if women

[if women rose rooted a journey to authenticity and belonging](#) - Oct 22 2023

web apr 18 2017 this is the second edition of a uniquely empowering international word of mouth bestseller about wild landscapes female mythology and the challenges facing modern women it is a book for any woman who has ever lost her way and who sees a

if women rose rooted a life changing journey to authenticity - Sep 09 2022

web aug 20 2019 if women remember that once upon a time we sang with the tongues of seals and flew with the wings of swans that we forged our own paths through the dark

reviews if women rose rooted a life changing journey to - Apr 04 2022

web in this life changing book that blends myth memoir and modern day mentors renowned psychologist dr sharon blackie journeys from the wasteland of modern society to a

[if women rose rooted a life changing journey to authenticity](#) - Feb 14 2023

web if women rose rooted a life changing journey to authenticity and belonging paperback 1 aug 2019 by sharon blackie
author 4 7 1 104 ratings see all formats

if women rose rooted a life changing journey to - Mar 15 2023

web mar 19 2016 if women rose rooted a life changing journey to authenticity and belonging kindle edition sharon blackie
author format kindle edition 4 7 1 088

if women rose rooted a life changing journey to authenticity - Nov 11 2022

web if women rose rooted has been described as both transformative and essential sharon blackie leads the reader on a quest
to find their place in the world drawing inspiration

if women rose rooted a life changing journey to authenticity - Jul 07 2022

web aug 1 2019 buy if women rose rooted a life changing journey to authenticity and belonging by sharon blackie our new
books come with free delivery in the uk isbn

if women rose rooted a life changing journey to authenticity - Mar 03 2022

if women rose rooted a life changing journey to authenticity - Oct 10 2022

web description in this life changing book that blends myth memoir and modern day mentors renowned psychologist dr
sharon blackie journeys from the wasteland of modern

if women rose rooted a life changing journey to authenticity - Jun 18 2023

web a life changing journey from the wasteland of modern society to a place of nourishment and connection fifth anniversary
edition with new afterword for 2021 mind blowing

if women rose rooted by sharon blackie new - May 05 2022

web aug 20 2019 in this life changing book that blends myth memoir and modern day mentors renowned psychologist dr
sharon blackie journeys from the wasteland of

if women rose rooted sharon blackie - Aug 20 2023

web mar 19 2016 sharon blackie september publishing mar 19 2016 self help 416 pages a life changing journey from the
wasteland of modern society to a place of

if women rose rooted a life changing journey to authenticity - Dec 12 2022

web in this life changing book that blends myth memoir and modern day mentors renowned psychologist dr sharon blackie
journeys from the wasteland of modern society to a

if women rose rooted a life changing journey to authenticity - Jun 06 2022

web if women rose rooted a life changing journey to authenticity and belonging by sharon blackie only show reviews with

written explanations dee wilcox s review

if women rose rooted a life changing journey to authenticity - Jul 19 2023

web beautifully written honest and moving if women rose rooted is a passionate song to a different kind of femininity a rallying feminist cry for the rewilding of

[if women rose rooted a life changing journey to](#) - May 17 2023

web in this life changing book that blends myth memoir and modern day mentors renowned psychologist dr sharon blackie journeys from the wasteland of modern society to a

amazon com if women rose rooted a life changing - Jan 13 2023

web audiobook 0 00 free with your audible trial in this life changing book that blends myth memoir and modern day mentors renowned psychologist dr sharon blackie journeys

if women rose rooted a life changing journey to authen - Sep 21 2023

web mar 19 2016 4 29 3 051 ratings350 reviews rising high up on the heather covered moorlands seeping through our bogs flowing down our streams and into our rivers and

if women rose rooted a life changing journey to authenticity - Feb 02 2022

fantasies 2011 kalender pdf pdf gestudy byu edu - Jul 01 2022

web may 30 2023 we find the money for fantasies 2011 kalender pdf and numerous books collections from fictions to scientific research in any way in the midst of them is this fantasies 2011 kalender pdf that can be your partner fantasies 2011 kalender calendar 1 jun 2010 amazon co uk web buy fantasies 2011 kalender by royo luis isbn

fantasies 2011 kalender pdf qa thechesedfund com - Jan 27 2022

web fantasies 2011 kalender pdf pages 2 15 fantasies 2011 kalender pdf upload mita n williamson 2 15 downloaded from qa thechesedfund com on september 2 2023 by mita n williamson and bonus videos by scanning the customized icon that appears throughout the book including never before seen home videos and videos of kristina drawing

[fantasies 2011 kalender amazon fr livres](#) - Jan 07 2023

web fantasies 2011 kalender amazon fr livres passer au contenu principal fr bonjour entrez votre adresse toutes nos catégories sélectionnez la section dans laquelle vous souhaitez faire votre recherche rechercher amazon fr bonjour identifiez vous compte et listes retours et

[fantasies 2011 kalender calendar 1 jun 2010 amazon co uk](#) - Jul 13 2023

web buy fantasies 2011 kalender by royo luis isbn 9783840101366 from amazon s book store everyday low prices and free delivery on eligible orders

fanteziler film 2020 beyazperde com - Aug 02 2022

web oct 15 2021 paw patrol süper film 3 3 yönetmen cal bruncker oyuncular finn lee epp mckenna grace christian convey
 fragman vizyondaki en İyi filmler Özet fanteziler hayatlarının saklı kalmış taraflarını keşfedip fantezileriyle yüzleşen altı çiftin hayatına odaklanıyor fanteziler sayesinde mutluluğu yeniden keşfeden altı

fantasies 2011 kalender heye amazon de bücher - Sep 15 2023

web fantasies 2011 kalender heye isbn 9783840101366 kostenloser versand für alle bücher mit versand und verkauf duch amazon

amazon fantasies 2011 kalender - Apr 10 2023

web amazonfantasies 2011 kalender amazon

fantasies definition of fantasies by the free dictionary - Mar 29 2022

web fan ta sy fān tē zē n pl fan ta sies 1 the creative imagination unrestrained fancy 2 something such as an invention that is a creation of the fancy 3 a capricious or fantastic idea a conceit 4 a a genre of fiction or other artistic work characterized by fanciful or supernatural elements b a work of this genre 5 an

fantasies 2011 kalender help environment harvard edu - May 31 2022

web fantasies 2011 kalender if you ally infatuation such a referred fantasies 2011 kalender book that will allow you worth get the very best seller from us currently from several preferred authors if you desire to humorous books lots of novels tale jokes and more fictions collections are

fantasies 2011 kalender von luis royo kalender portofrei - Jun 12 2023

web jetzt ohne mindestbestellwert portofrei online kaufen fantasies 2011 kalender stöbern sie im onlineshop von buecher de und kaufen sie ihre artikel versandkostenfrei und

fantasies 2011 kalender by heye banpaen - Apr 29 2022

web jun 11 2023 the fantasies 2011 kalender by heye it is wholly basic then now we extend the associate to buy and create bargains to download and deploy fantasies 2011 kalender by heye therefore basic

download pdf fantasies 2011 kalender thats chaiming - Sep 03 2022

web jul 9 2015 fantasies 2011 kalender also includes the intriguing product packaging beginning with the cover layout and its title just how the author brings the readers to obtain right into the words as well as exactly how the writer informs the material wonderfully fantasies 2011 kalender download pdf fantasies 2011 kalender

9783832015268 fantasy 2011 trends classics kalender - Dec 06 2022

web fantasy 2011 trends classics kalender finden sie alle bücher von bei der büchersuchmaschine eurobuch com können sie antiquarische und neubücher vergleichen und sofort zum bestpreis bestellen 9783832015268 lassen sie sich von diesem

kalender verzaubern und entführen in eine andere welt mit

[fantasies synonyms 43 synonyms antonyms for fantasies](#) - Feb 25 2022

web find 43 ways to say fantasies along with antonyms related words and example sentences at thesaurus com the world s most trusted free thesaurus

[fantasies calendario 2011 large 50 x 70 amazon es libros](#) - Feb 08 2023

web fantasies calendario 2011 large 50 x 70 amazon es libros saltar al contenido principal es hola elige tu dirección todos los departamentos selecciona el departamento que quieras buscar buscar amazon es es hola identifícate

9783840114342 fantasies 2013 kalender luis royo - Oct 04 2022

web fantasies 2013 kalender finden sie alle bücher von luis royo bei der büchersuchmaschine eurobuch com können sie antiquarische und neubücher vergleichen und sofort zum bestpreis bestellen 9783840114342 luis royo's fantasies kann man schon fast als klassiker der erotischen fantasy bezeichnen seine

download fantasies 2011 kalender pdf blogger - Nov 05 2022

web fantasies 2011 kalender you may acquire this ebook i have downloads as a pdf kindle word txt ppt rar and zip available are multiple finances in the world that would build our expertise one amongst them is the manuscript entitled fantasies 2011 kalender by this book gives the reader new knowledge and experience

[fantasies 2011 kalender heye amazon de books](#) - May 11 2023

web may 1 2010 hello sign in account lists returns orders shopping basket

[9783840101366 fantasies 2011 kalender luis royo](#) - Aug 14 2023

web fantasies 2011 kalender finden sie alle bücher von luis royo bei der büchersuchmaschine eurobuch com können sie antiquarische und neubücher vergleichen und sofort zum bestpreis bestellen 9783840101366 ed pappe pu heye royo kalender 70 x 50 cm mit top bildern jahr 1998 wie neu als kalender

amazon de kundenrezensionen fantasies 2011 kalender - Mar 09 2023

web finde hilfreiche kundenrezensionen und rezensionsbewertungen für fantasies 2011 kalender auf amazon de lese ehrliche und unvoreingenommene rezensionen von unseren nutzern

[führungskompetenz empathie susanne schwerdtfeger](#) - Mar 30 2022

web sep 7 2023 in einem ersten gespräch schaffen sie als führungskraft nun die grundvoraussetzung für empathie gegenüber ihrem neuen mitarbeiter sie hören aktiv

empathie souveranitat fuhrungskompetenz auf den p copy - Oct 25 2021

web jun 17 2023 success next door to the message as well as keenness of this empathie souveranitat fuhrungskompetenz auf den p can be taken as capably as picked to act

empathie souveranitat fuhrungskompetenz auf den p pdf - Jul 02 2022

web apr 19 2023 *empathie souveranitat fuhrungskompetenz auf den p 2 10* downloaded from uniport edu ng on april 19 2023 by guest british empire whose command and

empathie souveranitat fuhrungskompetenz auf den p 2022 - Nov 25 2021

web 2 *empathie souveranitat fuhrungskompetenz auf den p 2021 10 07* many global companies have been focused upon strategic executive development within a

empathie souveranitat fuhrungskompetenz auf den p pdf - Jun 13 2023

web 4 *empathie souveranitat fuhrungskompetenz auf den p 2020 08 16* gehandelt werden das konzept der körperorientierten entspannungs und konzentrations

empathiefähigkeit so zeigst du sie im bewerbungsprozess - Jan 28 2022

web jan 15 2022 durch deine empathiefähigkeit kannst du gruppenmeinungen verstehen und in gewisser weise voraussagen was dir bei der motivation deines teams helfen kann

empathie als kompetenz darum ist sie so wichtig - Feb 26 2022

web selbsterkenntnis dank empathie die grundlage von empathie ist die selbstwahrnehmung wenn du offen mit deinen eigenen gefühlen umgehst ist es auch einfacher sie in

empathie souveranitat fuhrungskompetenz auf den p pdf - Jul 14 2023

web *empathie souveranitat fuhrungskompetenz auf den p open minded leadership feb 25 2021* spass erfolg und weiterentwicklung hängen von faktoren wie richtiger

empathie souveranitat fuhrungskompetenz auf den p heinrich - Apr 11 2023

web *empathie souveranitat fuhrungskompetenz auf den p when people should go to the books stores search launch by shop shelf by shelf it is in point of fact problematic this*

empathie souveranitat fuhrungskompetenz auf den p copy - Apr 30 2022

web mar 30 2023 *empathie souveranitat fuhrungskompetenz auf den p 2 9* downloaded from uniport edu ng on march 30 2023 by guest but what happens on holidays like

empathie souveranitat fuhrungskompetenz auf den p pdf pdf - Sep 04 2022

web *empathie souveranitat fuhrungskompetenz auf den p pdf 2 3* downloaded from wp2 storyblok com on january 20 2023 by guest zurückgreifen kann das hat weniger

empathie als kompetenz wie wichtig ist dieses soft skill - Dec 27 2021

web aug 16 2021 im beruf ist empathie also eine wertvolle fähigkeit die du schon im bewerbungsprozess für dich nutzen solltest vorausgesetzt natürlich du schreibst dir

download solutions empathie souveranitat fuhrungskompetenz - Oct 05 2022

web competently as review empathie souveranitat fuhrungskompetenz auf den p pdf what you afterward to read business driven action learning yury boshyk 2000 03 02

empathie souveranitat fuhrungskompetenz auf den p pdf pdf - May 12 2023

web may 22 2023 souveranitat fuhrungskompetenz auf den p pdf but end up in infectious downloads auf den p web empathie souveranitat fuhrungskompetenz auf den p 2

empathie souveranität fuhrungskompetenz auf den punkt - Aug 15 2023

web empathie souveranität fuhrungskompetenz auf den punkt gebracht worldcat org

empathie souveranitat fuhrungskompetenz auf den p free pdf - Feb 09 2023

web lernen auf distanz aufgaben für den jahrgang 8 lernen auf distanz aufgaben für den jahrgang 8 p r e s e n t p e r f e c t vollendete gegenwart perfekt achtung

empathie souveranitat fuhrungskompetenz auf den p copy - Nov 06 2022

web may 15 2023 empathie souveranitat fuhrungskompetenz auf den p 2 12 downloaded from uniport edu ng on may 15 2023 by guest xpomet ulrich h pieper 2020 02 17

empathie souveranitat fuhrungskompetenz auf den p - Dec 07 2022

web feb 20 2023 empathie souveranitat fuhrungskompetenz auf den p 2 10 downloaded from uniport edu ng on february 20 2023 by guest mechanism of action indications

empathie souveranitat fuhrungskompetenz auf den p - Sep 23 2021

web empathie souveranitat fuhrungskompetenz auf den p 3 23 map index pdf plath and orson welles were conceptual young geniuses he also explains how this changes our

empathie souveranitat fuhrungskompetenz auf den p - Aug 03 2022

web empathischer phantasien zulässt die sich mit den gefühlen beschäftigen die bei den angesprochenen ausgelöst werden in seinem neuen buch verhandelt wolfgang

empathie souveranitat fuhrungskompetenz auf den p copy - Jan 08 2023

web jun 8 2023 empathie souveranitat fuhrungskompetenz auf den p 1 4 downloaded from uniport edu ng on june 8 2023 by guest empathie souveranitat

empathie souveranitat fuhrungskompetenz auf den p 2022 - Jun 01 2022

web you could purchase guide empathie souveranitat fuhrungskompetenz auf den p or acquire it as soon as feasible you could speedily download this empathie souveranitat

empathie souveranitat fuhrungskompetenz auf den p copy - Mar 10 2023

web jul 5 2023 empathie souveranitat fuhrungskompetenz auf den p 1 10 downloaded from uniport edu ng on july 5 2023 by guest empathie souveranitat