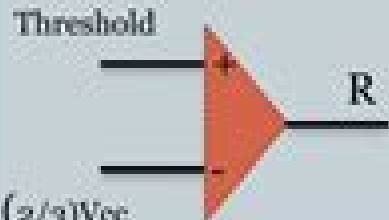
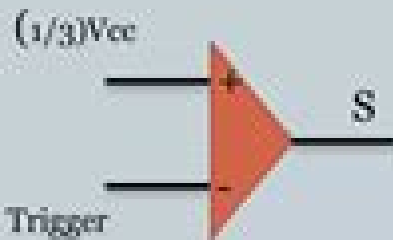


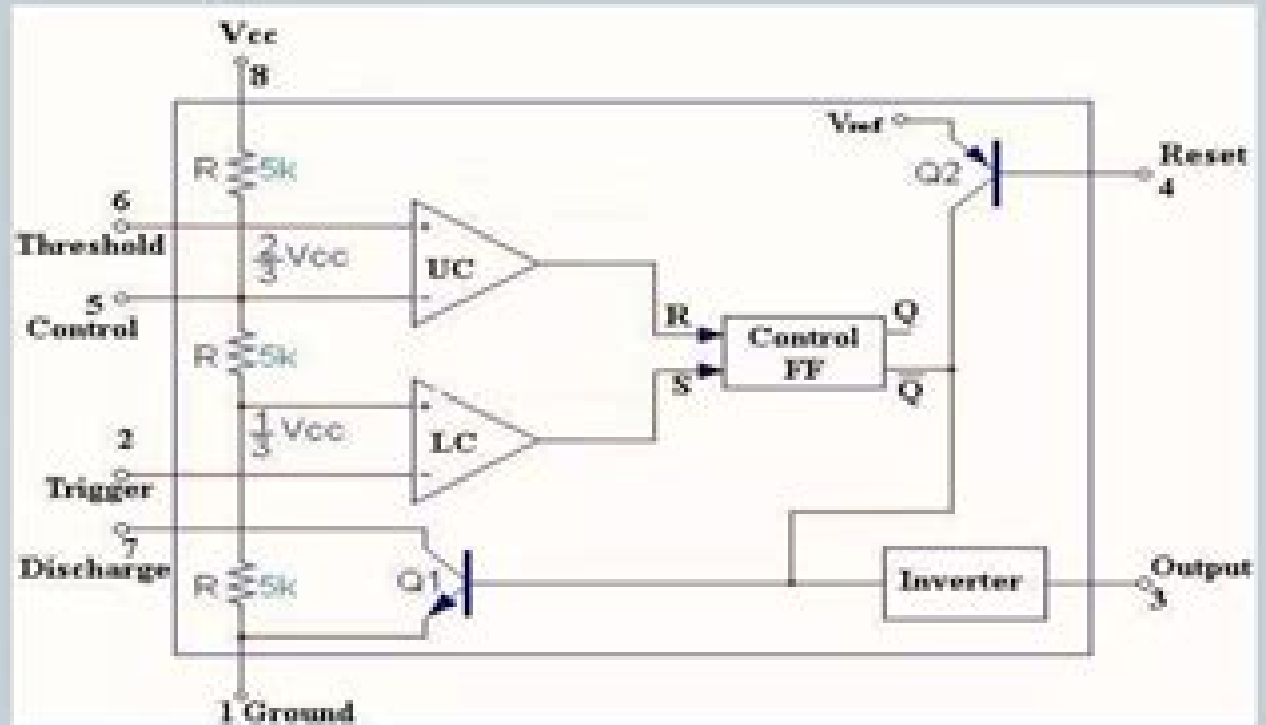
Functional diagram of 555 timer



Threshold $> (2/3)V_{cc} \Rightarrow R = \text{logic '1'}$
Threshold $< (2/3)V_{cc} \Rightarrow R = \text{logic '0'}$



Trigger $< (1/3)V_{cc} \Rightarrow S = \text{logic '1'}$
Trigger $> (1/3)V_{cc} \Rightarrow S = \text{logic '0'}$



555 Timer And Its Applications

Howard M. Berlin



555 Timer And Its Applications:

555 Timer and Its Applications M. C. Sharma, 1992 Table of Contents 1 Photo Timer 2 Touch Plate Controller 3 Auto Wiper Control 4 Automatic headlights Turn off 5 Tiny Flasher 6 Solid State Flasher 7 Sense of Time tester 8 Square Wave Generator 9 Linear Saw Tooth Generator 10 Warble Tone Generator 11 Delayed Automatic Power Off 12 Delayed Automatic Power On 13 Ni Cd Battery Charger 14 Wide Range Pulse Generator 15 Frequency Divider 16 Missing Pulse Detector 17 Light Operated Relay 18 Temperature Controller 19 Brightness Control of LED Displays 20 Sequential Switching 21 Long Duration Timer and

Sensors and Their Applications XII S. J. Prosser, E. Lewis, 2003-09-01 Sensors and Their Applications XII discusses novel research in the areas of sensors and transducers and provides insight into new and topical applications of this technology It covers the underlying physics fabrication technologies and commercial applications of sensors Some of the topics discussed include optical sensing sensing materials no Fundamentals of Electronic Devices and Circuits G.S. Tomar, Ashish Bagwari, 2019-10-10 This book focuses on conceptual frameworks that are helpful in understanding the basics of electronics what the feedback system is the principle of an oscillator the operational working of an amplifier and other relevant topics It also provides an overview of the technologies supporting electronic systems like OP AMP transistor filter ICs and diodes It consists of seven chapters written in an easy and understandable language and featuring relevant block diagrams circuit diagrams valuable and interesting solved examples and important test questions Further the book includes up to date illustrations exercises and numerous worked examples to illustrate the theory and to demonstrate their use in practical designs

Measurement Technology and its Application Prasad Yarlagadda, Yun Hae Kim, 2012-12-13 Selected peer reviewed papers from the 2012 International Conference on Measurement Instrumentation and Automation ICMIA 2012 September 15 16 2012 Guangzhou China **Digital Principles and Applications** Donald P. Leach, Albert Paul Malvino, 1994 Aimed at the student who wishes to learn principles of digital circuits and then apply them to designs This text includes pin outs for more than 60 digital IC chips the use of standard logic symbols along with IEEE standard logic and a review of IEEE symbols in the appendix Emphasis is given to two digital integrated circuit families Transistor Transistor Logic TTL and Complementary Metal Oxide Silicon CMOS logic

Operational Amplifiers and Linear Integrated Circuits Robert F. Coughlin, Frederick F. Driscoll, 1982 This popular book presents a clear and interesting approach for op amp courses while examining four basic active filters illustrating 5 V digital logic ICs and more It provides many detailed practical design and analysis examples intended to relate theory to the workplace Chapter topics include first experiences with an op amp inverting and noninverting amplifiers comparators and controls selected applications of op amps signal generators op amps with diodes differential instrumentation and bridge amplifiers DC performance bias offsets and drift AC performance bandwidth slew rate noise active filters modulating demodulating and frequency changing with the multiplier integrated circuit timers digital to analog converters analog to digital converters and

power supplies For design engineers rs **BTEC First Engineering** Michael H. Tooley, Mike Tooley, 2010 This course book covers the compulsory core units of the 2010 BTEC First Engineering schemes from Edexcel It gives full coverage of the common core units for the certificate diploma units one and two plus the additional compulsory units for diploma students units three and four for all pathways **Handbook of Microcircuit Design and Application** David F. Stout, 1980

Introduction to microcircuits Digital families Combinational circuits Flip flops and shift registers Read write random access memories Read only memory devices Data word sorting and checking Sequential circuits Digital signal generation Serial communications microcircuits Parallel communications microcircuits BCD circuits The microprocessor and the microcomputer Microprocessor controlled A D converters Microcomputer based traffic systems Keyboard scanner circuits Application for the 6800 microprocessor a polyphonic music synthesizer Special purpose LSI circuits Operational amplifiers Active filters Regulators Nonlinear analog microcircuits Analog signal generation Sampling and multiplexing circuits Analog to digital converters Digital to analog converters Phase locked loop circuits Designer's Handbook of Integrated Circuits Arthur Bernard Williams, 1984 **Digital Electronics** Howard M. Berlin, 1985 **Electronic Design** , 1987 *Electricity and Its Application to Automotive Vehicles* Paul McDowell Stone, 1923 *Digital Electronics Through Experimentation* Robert Delp, 1984-03 **Programmable Logic Designer's Guide** Roger C. Alford, 1989 Analog and Digital Electronics for Scientific Application Dennis Barnaal, 1982 Jahangirnagar Physics Studies , 1998 **EDN, Electrical Design News** , 1980 **The Microcontroller Application Cookbook Featuring the BASIC Stamp 2** Matt Gilliland, 2000-12-07

Handbook of Digital IC Applications David L. Heiserman, 1980 **Electronics World** , 2005

When somebody should go to the book stores, search inauguration by shop, shelf by shelf, it is in reality problematic. This is why we provide the ebook compilations in this website. It will very ease you to look guide **555 Timer And Its Applications** as you such as.

By searching the title, publisher, or authors of guide you truly want, you can discover them rapidly. In the house, workplace, or perhaps in your method can be every best place within net connections. If you seek to download and install the 555 Timer And Its Applications, it is certainly simple then, back currently we extend the associate to buy and create bargains to download and install 555 Timer And Its Applications as a result simple!

<https://py.bijouxmedusa.com/results/scholarship/Documents/Declan%20Coraline%20Ruthless%20People%20Book%20.pdf>

Table of Contents 555 Timer And Its Applications

1. Understanding the eBook 555 Timer And Its Applications
 - The Rise of Digital Reading 555 Timer And Its Applications
 - Advantages of eBooks Over Traditional Books
2. Identifying 555 Timer And Its Applications
 - Exploring Different Genres
 - Considering Fiction vs. Non-Fiction
 - Determining Your Reading Goals
3. Choosing the Right eBook Platform
 - Popular eBook Platforms
 - Features to Look for in an 555 Timer And Its Applications
 - User-Friendly Interface
4. Exploring eBook Recommendations from 555 Timer And Its Applications
 - Personalized Recommendations
 - 555 Timer And Its Applications User Reviews and Ratings
 - 555 Timer And Its Applications and Bestseller Lists

5. Accessing 555 Timer And Its Applications Free and Paid eBooks
 - 555 Timer And Its Applications Public Domain eBooks
 - 555 Timer And Its Applications eBook Subscription Services
 - 555 Timer And Its Applications Budget-Friendly Options
6. Navigating 555 Timer And Its Applications eBook Formats
 - ePub, PDF, MOBI, and More
 - 555 Timer And Its Applications Compatibility with Devices
 - 555 Timer And Its Applications Enhanced eBook Features
7. Enhancing Your Reading Experience
 - Adjustable Fonts and Text Sizes of 555 Timer And Its Applications
 - Highlighting and Note-Taking 555 Timer And Its Applications
 - Interactive Elements 555 Timer And Its Applications
8. Staying Engaged with 555 Timer And Its Applications
 - Joining Online Reading Communities
 - Participating in Virtual Book Clubs
 - Following Authors and Publishers 555 Timer And Its Applications
9. Balancing eBooks and Physical Books 555 Timer And Its Applications
 - Benefits of a Digital Library
 - Creating a Diverse Reading Collection 555 Timer And Its Applications
10. Overcoming Reading Challenges
 - Dealing with Digital Eye Strain
 - Minimizing Distractions
 - Managing Screen Time
11. Cultivating a Reading Routine 555 Timer And Its Applications
 - Setting Reading Goals 555 Timer And Its Applications
 - Carving Out Dedicated Reading Time
12. Sourcing Reliable Information of 555 Timer And Its Applications
 - Fact-Checking eBook Content of 555 Timer And Its Applications
 - Distinguishing Credible Sources
13. Promoting Lifelong Learning

- Utilizing eBooks for Skill Development
 - Exploring Educational eBooks
14. Embracing eBook Trends
- Integration of Multimedia Elements
 - Interactive and Gamified eBooks

555 Timer And Its Applications Introduction

Free PDF Books and Manuals for Download: Unlocking Knowledge at Your Fingertips In today's fast-paced digital age, obtaining valuable knowledge has become easier than ever. Thanks to the internet, a vast array of books and manuals are now available for free download in PDF format. Whether you are a student, professional, or simply an avid reader, this treasure trove of downloadable resources offers a wealth of information, conveniently accessible anytime, anywhere. The advent of online libraries and platforms dedicated to sharing knowledge has revolutionized the way we consume information. No longer confined to physical libraries or bookstores, readers can now access an extensive collection of digital books and manuals with just a few clicks. These resources, available in PDF, Microsoft Word, and PowerPoint formats, cater to a wide range of interests, including literature, technology, science, history, and much more. One notable platform where you can explore and download free 555 Timer And Its Applications PDF books and manuals is the internet's largest free library. Hosted online, this catalog compiles a vast assortment of documents, making it a veritable goldmine of knowledge. With its easy-to-use website interface and customizable PDF generator, this platform offers a user-friendly experience, allowing individuals to effortlessly navigate and access the information they seek. The availability of free PDF books and manuals on this platform demonstrates its commitment to democratizing education and empowering individuals with the tools needed to succeed in their chosen fields. It allows anyone, regardless of their background or financial limitations, to expand their horizons and gain insights from experts in various disciplines. One of the most significant advantages of downloading PDF books and manuals lies in their portability. Unlike physical copies, digital books can be stored and carried on a single device, such as a tablet or smartphone, saving valuable space and weight. This convenience makes it possible for readers to have their entire library at their fingertips, whether they are commuting, traveling, or simply enjoying a lazy afternoon at home. Additionally, digital files are easily searchable, enabling readers to locate specific information within seconds. With a few keystrokes, users can search for keywords, topics, or phrases, making research and finding relevant information a breeze. This efficiency saves time and effort, streamlining the learning process and allowing individuals to focus on extracting the information they need. Furthermore, the availability of free PDF books and manuals fosters a culture of continuous learning. By removing financial barriers, more people can access educational resources and pursue lifelong learning, contributing to

personal growth and professional development. This democratization of knowledge promotes intellectual curiosity and empowers individuals to become lifelong learners, promoting progress and innovation in various fields. It is worth noting that while accessing free 555 Timer And Its Applications PDF books and manuals is convenient and cost-effective, it is vital to respect copyright laws and intellectual property rights. Platforms offering free downloads often operate within legal boundaries, ensuring that the materials they provide are either in the public domain or authorized for distribution. By adhering to copyright laws, users can enjoy the benefits of free access to knowledge while supporting the authors and publishers who make these resources available. In conclusion, the availability of 555 Timer And Its Applications free PDF books and manuals for download has revolutionized the way we access and consume knowledge. With just a few clicks, individuals can explore a vast collection of resources across different disciplines, all free of charge. This accessibility empowers individuals to become lifelong learners, contributing to personal growth, professional development, and the advancement of society as a whole. So why not unlock a world of knowledge today? Start exploring the vast sea of free PDF books and manuals waiting to be discovered right at your fingertips.

FAQs About 555 Timer And Its Applications Books

How do I know which eBook platform is the best for me? Finding the best eBook platform depends on your reading preferences and device compatibility. Research different platforms, read user reviews, and explore their features before making a choice. Are free eBooks of good quality? Yes, many reputable platforms offer high-quality free eBooks, including classics and public domain works. However, make sure to verify the source to ensure the eBook credibility. Can I read eBooks without an eReader? Absolutely! Most eBook platforms offer webbased readers or mobile apps that allow you to read eBooks on your computer, tablet, or smartphone. How do I avoid digital eye strain while reading eBooks? To prevent digital eye strain, take regular breaks, adjust the font size and background color, and ensure proper lighting while reading eBooks. What the advantage of interactive eBooks? Interactive eBooks incorporate multimedia elements, quizzes, and activities, enhancing the reader engagement and providing a more immersive learning experience. 555 Timer And Its Applications is one of the best book in our library for free trial. We provide copy of 555 Timer And Its Applications in digital format, so the resources that you find are reliable. There are also many Ebooks of related with 555 Timer And Its Applications. Where to download 555 Timer And Its Applications online for free? Are you looking for 555 Timer And Its Applications PDF? This is definitely going to save you time and cash in something you should think about. If you trying to find then search around for online. Without a doubt there are numerous these available and many of them have the freedom. However without doubt you receive whatever you purchase. An alternate way to get ideas is always to check another 555 Timer And Its Applications. This

method for see exactly what may be included and adopt these ideas to your book. This site will almost certainly help you save time and effort, money and stress. If you are looking for free books then you really should consider finding to assist you try this. Several of 555 Timer And Its Applications are for sale to free while some are payable. If you arent sure if the books you would like to download works with for usage along with your computer, it is possible to download free trials. The free guides make it easy for someone to free access online library for download books to your device. You can get free download on free trial for lots of books categories. Our library is the biggest of these that have literally hundreds of thousands of different products categories represented. You will also see that there are specific sites catered to different product types or categories, brands or niches related with 555 Timer And Its Applications. So depending on what exactly you are searching, you will be able to choose e books to suit your own need. Need to access completely for Campbell Biology Seventh Edition book? Access Ebook without any digging. And by having access to our ebook online or by storing it on your computer, you have convenient answers with 555 Timer And Its Applications To get started finding 555 Timer And Its Applications, you are right to find our website which has a comprehensive collection of books online. Our library is the biggest of these that have literally hundreds of thousands of different products represented. You will also see that there are specific sites catered to different categories or niches related with 555 Timer And Its Applications So depending on what exactly you are searching, you will be able to choose ebook to suit your own need. Thank you for reading 555 Timer And Its Applications. Maybe you have knowledge that, people have search numerous times for their favorite readings like this 555 Timer And Its Applications, but end up in harmful downloads. Rather than reading a good book with a cup of coffee in the afternoon, instead they juggled with some harmful bugs inside their laptop. 555 Timer And Its Applications is available in our book collection an online access to it is set as public so you can download it instantly. Our digital library spans in multiple locations, allowing you to get the most less latency time to download any of our books like this one. Merely said, 555 Timer And Its Applications is universally compatible with any devices to read.

Find 555 Timer And Its Applications :

[declan coraline ruthless people book 0](#)

[dasa scheme nri quota best dasa colleges](#)

[daido moriyama](#)

[dc kulshreshtha basic electrical engineering pdf](#)

[death in salem the private lives behind 1692 witch hunt diane e foulds](#)

[**decision analytic thinking aalto**](#)

[**d d 5e lost mine of phandelver forgotten realms**](#)

daihatsu charade manual

[data computer communication william stallings solutions](#)

[database management systems 3rd edition by ramakrishnan and gehrke](#)

deep simplicity john gribbin pdf

[deep learning with python francois chollet amazon com](#)

dark kiss nightwatchers 1 michelle rowen

dell wyse thinos version 8 4 release notes

derritela de amor de

555 Timer And Its Applications :

list of maison ikkoku episodes wikipedia - Dec 07 2022

web this is a complete list of episodes of maison ikkoku an anime television ova and film series based on the manga by rumiko takahashi there were 96 regular episodes three ovas an animated film and a live action film the anime uses five opening theme songs and six closing themes

read maison ikkoku manga on mangakakalot - Aug 03 2022

web maison ikkoku summary from viz travel into japan s nuttiest apartment house and meet its volatile inhabitants kyoko the beautiful and mysterious new apartment manager yusaku the exam addled college student mrs ichinose the drunken gossip kentaro her bratty son akemi the boozy bar hostess and the mooching and peeping mr yotsuya

anime manga türkiye maison ikkoku - Feb 09 2023

web maison ikkoku rumiko takahashi nin big comic spirits dergisinde yayınlanan aynı adlı mangasından uyarlamadır Üniversiteye girmeyi ümit eden ama henüz bir varlık gösteremeyen talihsiz godai ailesinden ayrı ikkoku apartmanında yaşamaktadır

maison ikkoku - Aug 15 2023

web Özet saat tepesi kasabasında maison ikkoku adında eski bir pansiyon bulunmaktadır pansiyonun kendisi oldukça normal olmasına rağmen sakinlerinin çoğu normal değildir pansiyonun en sessiz kiracısı olan yuusaku godai komşularının sürekli olarak rahatsızlık vermesi ve şiddetli partileri nedeniyle artık dayanamaz

maison ikkoku 01 hello sadness abertura 1 youtube - Jun 01 2022

web 0 00 3 59 maison ikkoku 01 hello sadness abertura 1 thiago martins 8 53k subscribers 146k views 6 years ago show more show more maison ikkoku original

maison ikkoku nyaa - Dec 27 2021

web 2023 05 01 00 07 12 0 121 2 pizza maison ikkoku 10 bd 720p hevc opus 2 8 gib 2023 03 15 22 43 11 0 118 3 pizza maison ikkoku 08 bd 720p hevc opus 2 5 gib 2023 03 08 17 01 10 0 116 kagura maison ikkoku blu ray box 1 bdrip 1440x1080 x264 hi10p flac 82 0 gib 2014 03 08 11 27 0 0 115 11 maison ikkoku v14 2nd

maison ikkoku tv anime news network - Sep 04 2022

web feb 3 2012 maison ikkoku tv plot summary godai is a ronin someone who has failed university entrance exams living in a run down apartment house called maison ikkoku among the other residents are the *maison ikkoku collector s edition omnibus archive org* - Mar 10 2023

web sep 15 2020 travel into japan s nuttiest apartment house and meet its volatile inhabitants kyoko the beautiful and mysterious new apartment manager yusaku the exam addled college student mrs ichinose the drunken gossip kentaro her bratty son akemi the boozy bar hostess and the mooching and peeping mr yotsuya

maison ikkoku wikipedia - Apr 11 2023

web maison ikkoku is a romantic comedy involving a group of madcap people who live in a boarding house in 1980s tokyo the story focuses primarily on the gradually developing relationships between yusaku godai a poor student down on his luck and kyoko otonashi a young recently widowed boarding house manager

maison ikkoku official manga bato to - Feb 26 2022

web travel into japan s nuttiest apartment house and meet its volatile inhabitants kyoko the beautiful and mysterious new apartment manager yusaku the exam addled college student mrs ichinose the drunken gossip kentaro her bratty son akemi the boozy bar hostess and the mooching and peeping mr yotsuya

maison ikkoku 2007 mydramalist - Nov 06 2022

web may 12 2007 maison ikkoku 2007 this is a romantic comedy about the relationship of otonashi kyoko the beautiful widow and manager of a boarding house and godai yusaku a poor student tenant source dramawiki adapted from the manga maison ikkoku Maison Ikkoku by takahashi rumiko edit translation

maison ikkoku wikiwand - Jan 08 2023

web maison ikkoku japonca romanize mezon ikkoku ikkoku evi rumiko takahashi tarafindan yazılan bir manga serisidir seri 1980 1987 yılları arasında shogakukan ın big comic spirits dergisinde yayınlandı *read maison ikkoku chapter 1 on mangakalot* - Jun 13 2023

web read maison ikkoku of chapter 1 fully free on mangakalot from viz travel into japan s nuttiest apartment house and meet its volatile inhabitants kyoko the beautiful and mysterious new apartment manager yusaku the exam addled college student mrs ichinose the drunken gossip kentaro her bratty son akemi the boozy bar hostess and

maison ikkoku season 1 imdb - Oct 05 2022

web trouble comes to maison ikkoku in the form of kyoko s parents they are trying to force her to quit her job and go back to using her maiden name a big quarrel results kyoko s mom shows up at maison ikkoku and claims kyoko quit add image s1 ep23 27 aug 1986 kyoko s brush with danger mother s nefarious plot 7 5 13 0 rate 1 rate 2

maison ikkoku read manga online for free mangareader mobi - Apr 30 2022

web maison ikkoku content travel into japan s nuttiest apartment house and meet its volatile inhabitants kyoko the beautiful and mysterious new apartment manager yusaku the exam addled college student mrs ichinose the drunken gossip kentaro her bratty son akemi the boozy bar hostess and the mooching and peeping mr yotsuya

maison ikkoku wiki fandom - Jul 02 2022

web welcome to the maison ikkoku wiki a wiki dedicated to the classic seinen manga and anime series by rumiko takahashi warning certain content on this wiki may not be suitable for younger viewers those below 18 we are currently editing over 240 articles and have over 2 770 media files

pizza maison ikkoku 01 bd 720p hevc opus nyaa - Mar 30 2022

web 2023 02 12 18 01 utc infinite thanks for this new project finest anime of the 80 s in tv format and best romance of all time in my book thanks again as maison ikkoku is my favorite series ever i give you my thanks for this project mcbaws21 2023 02 17 07 38 utc epic recycled cont1

maison ikkoku [wikipedi](#) - Jul 14 2023

web maison ikkoku japonca □□□□ romanize mezon ikkoku ikkoku evi rumiko takahashi tarafindan yazılan bir manga serisidir seri 1980 1987 yılları arasında shogakukan ın big comic spirits dergisinde yayınlandı

[maison ikkoku nyaa](#) - Jan 28 2022

web 2020 04 01 02 25 9 1 923 2 rpg sama maison ikkoku bd 720p 16 2 gib 2016 07 27 12 13 0 1 863 19 rpg sama maison ikkoku bdrip dual 960x720 x264 aac 28 1 gib 2019 09 11 18 43 9 1 789 4 dhd maison ikkoku dual audio complete 1 96 1080p bluray hevc x265 eng jap flac 138 2 gib 2018 12 04 21 33 4 1 292 17 pizza

[maison ikkoku myanimelist net](#) - May 12 2023

web synopsis in the town of clock hill there is an old boarding house called maison ikkoku while the residence itself is fairly normal most of its occupants are not yuusaku godai its most quiet tenant has finally reached his limit with his neighbors constant disruptions and boisterous partying

[diploma in civil engineering bci engineering institute](#) - Dec 07 2022

web diploma in civil engineering in a roofless open world people once hid their heads and took refuge in caves from that day mankind started to think about its living facilities comforts strategies to survive in adverse conditions etc and thus a new science of civil engineering was born how much civil engineering has progressed with new

[diploma in civil engineering in bangladesh polybd](#) - Jun 13 2023

web jan 26 2022 diploma in civil engineering is a total of 4 years long diploma program divided into eight semesters among the total of eight semesters the first 7 semesters are for the academic studies and the last semester is for the industrial attachment in bangladesh there are a total of 49 government and about 220 private polytechnic

diploma in civil engineering institute of science trade - Jul 14 2023

web diploma in civil engineering is 4 year long program and it consisting of 8 semesters each semester is 6 month two exam such as in course and final exam held per semester conducted under the supervision of bangladesh technical education board bteb

bci engineering institute best polytechnic in dhaka best diploma - Apr 30 2022

web bci engineering institute is the best polytechnic institute in dhaka it one of the most important diploma educational institutions in bangladesh it offers different diploma courses it is governed under the private polytechnic institute act 1994

bsc in civil engineering for diploma holders world university - Jan 28 2022

web with a bachelor in civil engineering at world university of bangladesh wub you will have engaged with a variety of core and optional modules including civil engineering design projects engineering mathematics and mechanics an introduction to structural analysis and design ground engineering structural analysis and design and design

civil dhaka polytechnic institute - May 12 2023

web civil the department of civil technology was established at dhaka polytechnic institute in 1955 this department offered 4 years diploma in engineering program under the bangladesh technical education board after 10 years schooling

[postgraduate diplomas in engineering tech bangladesh](#) - Feb 26 2022

web jul 27 2022 on our website you will find accredited engineering postgraduate diplomas for professional improvement tech bangladesh

[diploma in engineering wikipedia](#) - Nov 06 2022

web in bangladesh the diploma in engineering is a technical certificate awarded by the bangladesh technical education board and offered by polytechnic institutes students can get admitted to diploma in engineering course

admission eligibility diploma institute of science trade - Sep 04 2022

web the required admission criteria of different courses under bangladesh technical education board bteb are as follows the admission criteria may be rectified by bteb name of the program courses admission eligibility diploma in aeronautical engineering ssc with min gpa 2 00

diploma in engineering in bangladesh program overview 2023 - Jun 01 2022

web jul 21 2023 keynote diploma engineering in bangladesh polytechnic institutes under the bangladesh technical

education board offer engineering diplomas in bangladesh the 4 year program covers various disciplines like civil electrical mechanical and computer engineering admission is based on the ssc exam results

course structure of diploma in engineering probidhan 2022 civil - Mar 30 2022

web course structure of diploma in engineering probidhan 2022 civil allied technology technology name civil technology 64 civil technology 64 5th semester code name theory practical continuous final total continuous final total

department of civil engineering bibt bangladesh university - Feb 09 2023

web about the department of civil engineering bangladesh university of business and technology bibt is one of the top ranking universities in bangladesh established in 2003 under private university act 1992 as amended in 1998 with the approval of

diploma in civil engineering daffodil polytechnic institute - Apr 11 2023

web diploma in civil engineering is a 4 year long program consisting of 8 semesters 1 semester 6 months the final and the midterm exams of each semester is conducted under the supervision of bangladesh technical education board bteb all the exams question answer script checking and final results are published by the bteb

[diploma in civil engineering jobs in bangladesh careerjet](#) - Dec 27 2021

web all diploma in civil engineering jobs in bangladesh on careerjet com bd the search engine for jobs in bangladesh

department of civil engineering utara university - Oct 05 2022

web the main mission is to offer programs covering all important branches and disciplines of civil environment engineering these programs aims to produce quality graduates with international standards development of future leaders for different sectors with up to date research findings sophisticated and fruitful decision models

[studyqa diploma diploma civil engineering architecture](#) - Aug 03 2022

web search for diploma programs in civil engineering architecture construction to study in bangladesh detailed information about programs and scholarships from universities directly program finder

bachelor of science in civil engineering b sc in ce diploma - Jan 08 2023

web bachelor of science in civil engineering b sc in ce diploma european university of bangladesh 1 name of the program bachelor of science in civil engineering b sc in ce 2 name of the department department of civil engineering 3 objectives and goal

diploma in civil engineering dhaka central polytechnic institute - Mar 10 2023

web a diploma civil graduate position as a sub assistant engineer the major job fields of a civil diploma graduate are a sub assistant engineer in roads and high ways public works department water development board bangladesh inland water transport authority power grid company of bangladesh

diploma in civil engineering bangladesh a career launchpad - Aug 15 2023

web jul 22 2023 diploma holders in civil engineering can pursue a bsc in civil engineering in bangladesh to further enhance their skills and knowledge this higher education opens up more opportunities in areas like construction management structural engineering and telecommunication

top private universities 2022 for diploma engineers in bangladesh - Jul 02 2022

web sep 1 2022 in bangladesh there are a lot of students who completed their diploma engineering degrees and they want to study for the completion of a b sc degree in the evening programs there are two types of degrees

brukner and khan s clinical sports medicine volume 1 injuri lww - May 18 2023

the information is relevant in outpatient clinics urgent care settings and emergency departments features the book covers fundamental principles of assessing sports injuries history taking and making a diagnosis it covers the breadth of all body regions for sports medicine injuries from concussions to foot pain

brukner khan s clinical sports medicine injuries volume 1 5e - Oct 11 2022

brukner khan s clinical sports medicine injuries volume 1 5e clinical sports medicine collection mcgraw hill medical read this chapter of brukner khan s clinical sports medicine injuries volume 1 5e online now exclusively on clinical sports medicine collection

principles of sports injury rehabilitation brukner khan s clinical - Apr 17 2023

read chapter 18 of brukner khan s clinical sports medicine injuries volume 1 5e online now exclusively on clinical sports medicine collection clinical sports medicine collection is a subscription based resource from mcgraw hill that features trusted content from the best minds in medicine skip to main content

brukner khan s clinical sports medicine injuries vol - Jul 20 2023

brukner khan s clinical sports medicine injuries vol 1

sports injuries overuse brukner khan s clinical sports medicine - Jul 08 2022

brukner khan s clinical sports medicine injuries volume 1 5e brukner p clarsen b cook j cools a crossley k hutchinson m mccrory p bahr r khan k brukner p clarsen b cook j cools a crossley k hutchinson m mccrory p bahr r khan k eds eds peter brukner et al mcgraw hill 2017 csm mhmedical com

treatment of sports injuries brukner khan s clinical sports - Feb 15 2023

read chapter 17 of brukner khan s clinical sports medicine injuries volume 1 5e online now exclusively on clinical sports medicine collection clinical sports medicine collection is a subscription based resource from mcgraw hill that features trusted content from the best minds in medicine skip to main content

clinical sports medicine collection mhmedical com - Jan 14 2023

read brukner khan s clinical sports medicine 5e volume 1 injuries peter brukner karim khan brukner khan s clinical sports medicine the world leading title in sport and exercise medicine is an authoritative and practical guide to physiotherapy and musculoskeletal medicine for clinicians and students

brukner khan s clinical sports medicine volume 1 injuries - Sep 10 2022

brukner khan s clinical sports medicine volume 1 injuries brukner khan s clinical sports medicine the world leading title in sport and exercise medicine is an authoritative and practical guide to physiotherapy and musculoskeletal medicine for clinicians and students

p d f brukner khan s clinical sports medicine injuries vol - Mar 04 2022

feb 29 2020 p d f brukner khan s clinical sports medicine injuries vol 1 detail author peter brukner pages 1104 pages publisher mcgraw hill education australia 2017 01 16 language english isbn 10 1743761384 isbn 13 9781743761380 description none

brukner khan s clinical sports medicine injuries volume 1 5e - Sep 22 2023

brukner khan s clinical sports medicine injuries volume 1 5e peter brukner ben clarsen jill cook ann cools kay crossley mark hutchinson paul mccrory roald bahr karim khan autosuggest results

sports injuries acute brukner khan s clinical sports medicine - Mar 16 2023

read chapter 3 of brukner khan s clinical sports medicine injuries volume 1 5e online now exclusively on clinical sports medicine collection clinical sports medicine collection is a subscription based resource from mcgraw hill that features trusted content from the best minds in medicine skip to main content

brukner khan s clinical sports medicine pmc national - Dec 13 2022

jan 30 2014 this fourth edition of clinical sports medicine has evolved significantly from earlier versions and includes 13 new chapters covering such topics as physical activity promotion challenging hip pain hand and finger injuries medical emergencies in the sporting context and exercise to treat neurological diseases

brukner khan s clinical sports medicine revised injuries - Jun 19 2023

jan 1 2017 this complete practical guide to physiotherapy and musculoskeletal medicine covers all aspects of diagnosis and contemporary management of sports related injuries this fifth edition has been expanded to accommodate a much higher level of evidence based content

clinical sports medicine 4th edition brukner khan - Feb 03 2022

brukner and khan s clinical sports medicine 4th edition is the complete practical guide to musculoskeletal medicine and physical therapy covering all aspects of diagnosis and management of sports related injuries and physical activity

brukner khan s clinical sports medicine injuries vol - Aug 21 2023

dec 19 2016 brukner khan s clinical sports medicine is the world leading title in sports and exercise medicine providing an authoritative foundation for clinicians and students this complete

brukner khan s clinical sports medicine revised injuries 1 - May 06 2022

there are more than 300 new figures and tables as well as six new chapters including training programming and prescription return to play pain the clinical aspects the cornerstone text on sports and exercise medicine brukner khan s clinical sports medicine injuries volume 1 5th edition by author peter brukner and a team of expert

brukner and khans clinical sports medicine injuries volume 1 - Aug 09 2022

brukner and khans clinical sports medicine injuries volume 1 hardcover 1 january 2017 by peter brukner author karim khan author 7 more 4 7 153 ratings see all formats and editions hardcover s 162 00 1 used from s 332 00 13 new from s 162 00 prime savings prime members get s 10 with citi mc enter code citimcasep at checkout

brukner and khans clinical sports medicine injuries volume 1 brukner - Jun 07 2022

brukner and khans clinical sports medicine injuries volume 1 brukner peter khan karim clarsen ben cools ann crossley kay hutchinson mark mccrory paul bahr roald cook jill amazon com tr kitap

brukner and khans clinical sports medicine injuries volume 1 - Apr 05 2022

brukner and khans clinical sports medicine injuries volume 1 by peter brukner mcgraw hill education australia clinical sports medicine 5th edition volume 1 injuries a striking feature of clinical sports medicine has always been the authors relentless commitment to clinical this is a unique book

brukner khan s clinical sports medicine free download - Nov 12 2022

english xlvii 1296 p 25 cm provides an authoritative foundation for clinicians and students in the field of clinical sports medicine in order to help clinicians help patients rev ed of clinical sports medicine peter brukner and karim khan 3rd ed c2007 includes bibliographical references and index