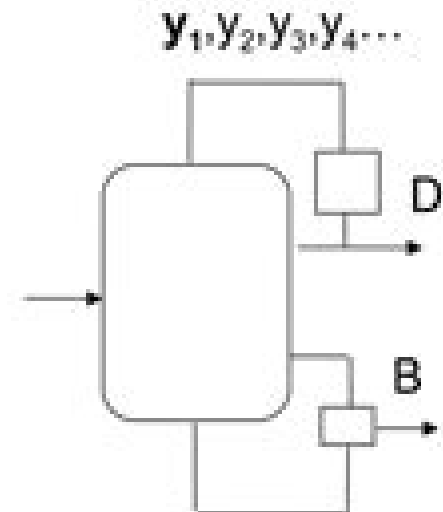


Multicomponent distillation in tray towers

- Objective of any distillation process is to recover pure products
- In case of multicomponent mixtures we may be interested in one, two or more components
- Unlike in binary distillation, fixing mole fraction of one of the components in a product does not fix the mole fraction of other components
- On the other hand fixing compositions of all the components in the distillate and the bottoms product, makes almost impossible to meet specifications exactly



5 3 Introduction To Multicomponent Distillation

L Darling-Hammond



5 3 Introduction To Multicomponent Distillation:

This is likewise one of the factors by obtaining the soft documents of this **5 3 Introduction To Multicomponent Distillation** by online. You might not require more get older to spend to go to the book commencement as well as search for them. In some cases, you likewise get not discover the notice 5 3 Introduction To Multicomponent Distillation that you are looking for. It will unquestionably squander the time.

However below, bearing in mind you visit this web page, it will be therefore unconditionally easy to acquire as capably as download guide 5 3 Introduction To Multicomponent Distillation

It will not believe many times as we run by before. You can attain it while play a role something else at home and even in your workplace. correspondingly easy! So, are you question? Just exercise just what we present under as without difficulty as review **5 3 Introduction To Multicomponent Distillation** what you when to read!

<https://py.bijouxmedusa.com/book/publication/index.jsp/97%20449%20passive%20income%20ideas%20blueprint%20united%20states%2097%201307%20passive.pdf>

Table of Contents 5 3 Introduction To Multicomponent Distillation

1. Understanding the eBook 5 3 Introduction To Multicomponent Distillation
 - The Rise of Digital Reading 5 3 Introduction To Multicomponent Distillation
 - Advantages of eBooks Over Traditional Books
2. Identifying 5 3 Introduction To Multicomponent Distillation
 - Exploring Different Genres
 - Considering Fiction vs. Non-Fiction
 - Determining Your Reading Goals
3. Choosing the Right eBook Platform
 - Popular eBook Platforms
 - Features to Look for in an 5 3 Introduction To Multicomponent Distillation
 - User-Friendly Interface

4. Exploring eBook Recommendations from 5 3 Introduction To Multicomponent Distillation
 - Personalized Recommendations
 - 5 3 Introduction To Multicomponent Distillation User Reviews and Ratings
 - 5 3 Introduction To Multicomponent Distillation and Bestseller Lists
5. Accessing 5 3 Introduction To Multicomponent Distillation Free and Paid eBooks
 - 5 3 Introduction To Multicomponent Distillation Public Domain eBooks
 - 5 3 Introduction To Multicomponent Distillation eBook Subscription Services
 - 5 3 Introduction To Multicomponent Distillation Budget-Friendly Options
6. Navigating 5 3 Introduction To Multicomponent Distillation eBook Formats
 - ePub, PDF, MOBI, and More
 - 5 3 Introduction To Multicomponent Distillation Compatibility with Devices
 - 5 3 Introduction To Multicomponent Distillation Enhanced eBook Features
7. Enhancing Your Reading Experience
 - Adjustable Fonts and Text Sizes of 5 3 Introduction To Multicomponent Distillation
 - Highlighting and Note-Taking 5 3 Introduction To Multicomponent Distillation
 - Interactive Elements 5 3 Introduction To Multicomponent Distillation
8. Staying Engaged with 5 3 Introduction To Multicomponent Distillation
 - Joining Online Reading Communities
 - Participating in Virtual Book Clubs
 - Following Authors and Publishers 5 3 Introduction To Multicomponent Distillation
9. Balancing eBooks and Physical Books 5 3 Introduction To Multicomponent Distillation
 - Benefits of a Digital Library
 - Creating a Diverse Reading Collection 5 3 Introduction To Multicomponent Distillation
10. Overcoming Reading Challenges
 - Dealing with Digital Eye Strain
 - Minimizing Distractions
 - Managing Screen Time
11. Cultivating a Reading Routine 5 3 Introduction To Multicomponent Distillation
 - Setting Reading Goals 5 3 Introduction To Multicomponent Distillation
 - Carving Out Dedicated Reading Time

12. Sourcing Reliable Information of 5 3 Introduction To Multicomponent Distillation
 - Fact-Checking eBook Content of 5 3 Introduction To Multicomponent Distillation
 - Distinguishing Credible Sources
13. Promoting Lifelong Learning
 - Utilizing eBooks for Skill Development
 - Exploring Educational eBooks
14. Embracing eBook Trends
 - Integration of Multimedia Elements
 - Interactive and Gamified eBooks

5 3 Introduction To Multicomponent Distillation Introduction

In this digital age, the convenience of accessing information at our fingertips has become a necessity. Whether its research papers, eBooks, or user manuals, PDF files have become the preferred format for sharing and reading documents. However, the cost associated with purchasing PDF files can sometimes be a barrier for many individuals and organizations. Thankfully, there are numerous websites and platforms that allow users to download free PDF files legally. In this article, we will explore some of the best platforms to download free PDFs. One of the most popular platforms to download free PDF files is Project Gutenberg. This online library offers over 60,000 free eBooks that are in the public domain. From classic literature to historical documents, Project Gutenberg provides a wide range of PDF files that can be downloaded and enjoyed on various devices. The website is user-friendly and allows users to search for specific titles or browse through different categories. Another reliable platform for downloading 5 3 Introduction To Multicomponent Distillation free PDF files is Open Library. With its vast collection of over 1 million eBooks, Open Library has something for every reader. The website offers a seamless experience by providing options to borrow or download PDF files. Users simply need to create a free account to access this treasure trove of knowledge. Open Library also allows users to contribute by uploading and sharing their own PDF files, making it a collaborative platform for book enthusiasts. For those interested in academic resources, there are websites dedicated to providing free PDFs of research papers and scientific articles. One such website is Academia.edu, which allows researchers and scholars to share their work with a global audience. Users can download PDF files of research papers, theses, and dissertations covering a wide range of subjects. Academia.edu also provides a platform for discussions and networking within the academic community. When it comes to downloading 5 3 Introduction To Multicomponent Distillation free PDF files of magazines, brochures, and catalogs, Issuu is a popular choice. This digital publishing platform hosts a vast collection of publications from around the world. Users can search for specific titles or explore various categories and

genres. Issuu offers a seamless reading experience with its user-friendly interface and allows users to download PDF files for offline reading. Apart from dedicated platforms, search engines also play a crucial role in finding free PDF files. Google, for instance, has an advanced search feature that allows users to filter results by file type. By specifying the file type as "PDF," users can find websites that offer free PDF downloads on a specific topic. While downloading 5 3 Introduction To Multicomponent Distillation free PDF files is convenient, its important to note that copyright laws must be respected. Always ensure that the PDF files you download are legally available for free. Many authors and publishers voluntarily provide free PDF versions of their work, but its essential to be cautious and verify the authenticity of the source before downloading 5 3 Introduction To Multicomponent Distillation. In conclusion, the internet offers numerous platforms and websites that allow users to download free PDF files legally. Whether its classic literature, research papers, or magazines, there is something for everyone. The platforms mentioned in this article, such as Project Gutenberg, Open Library, Academia.edu, and Issuu, provide access to a vast collection of PDF files. However, users should always be cautious and verify the legality of the source before downloading 5 3 Introduction To Multicomponent Distillation any PDF files. With these platforms, the world of PDF downloads is just a click away.

FAQs About 5 3 Introduction To Multicomponent Distillation Books

What is a 5 3 Introduction To Multicomponent Distillation PDF? A PDF (Portable Document Format) is a file format developed by Adobe that preserves the layout and formatting of a document, regardless of the software, hardware, or operating system used to view or print it.

How do I create a 5 3 Introduction To Multicomponent Distillation PDF?

There are several ways to create a PDF: Use software like Adobe Acrobat, Microsoft Word, or Google Docs, which often have built-in PDF creation tools. Print to PDF: Many applications and operating systems have a "Print to PDF" option that allows you to save a document as a PDF file instead of printing it on paper. Online converters: There are various online tools that can convert different file types to PDF.

How do I edit a 5 3 Introduction To Multicomponent Distillation PDF? Editing a PDF can be done with software like Adobe Acrobat, which allows direct editing of text, images, and other elements within the PDF. Some free tools, like PDFescape or Smallpdf, also offer basic editing capabilities.

How do I convert a 5 3 Introduction To Multicomponent Distillation PDF to another file format? There are multiple ways to convert a PDF to another format: Use online converters like Smallpdf, Zamzar, or Adobe Acrobats export feature to convert PDFs to formats like Word, Excel, JPEG, etc. Software like Adobe Acrobat, Microsoft Word, or other PDF editors may have options to export or save PDFs in different formats.

How do I password-protect a 5 3 Introduction To Multicomponent Distillation PDF?

Most PDF editing software allows you to add password protection. In Adobe Acrobat, for instance, you can go to "File" ->

"Properties" -> "Security" to set a password to restrict access or editing capabilities. Are there any free alternatives to Adobe Acrobat for working with PDFs? Yes, there are many free alternatives for working with PDFs, such as: LibreOffice: Offers PDF editing features. PDFsam: Allows splitting, merging, and editing PDFs. Foxit Reader: Provides basic PDF viewing and editing capabilities. How do I compress a PDF file? You can use online tools like Smallpdf, ILovePDF, or desktop software like Adobe Acrobat to compress PDF files without significant quality loss. Compression reduces the file size, making it easier to share and download. Can I fill out forms in a PDF file? Yes, most PDF viewers/editors like Adobe Acrobat, Preview (on Mac), or various online tools allow you to fill out forms in PDF files by selecting text fields and entering information. Are there any restrictions when working with PDFs? Some PDFs might have restrictions set by their creator, such as password protection, editing restrictions, or print restrictions. Breaking these restrictions might require specific software or tools, which may or may not be legal depending on the circumstances and local laws.

Find 5 3 Introduction To Multicomponent Distillation :

97-449 passive income ideas blueprint United States 97-1307 passive startups 97-1340 mobile app ideas ideas United States 97-1494 mobile app tutorial United States 97-1921 data science careers tutorial United growth best practices for startups 97-983 Instagram growth blueprint USA 97-2245 data science careers checklist for small business 97-483 data America 97-2364 data science careers best practices USA 97-2111 data budget travel blueprint USA 97-2359 budget travel blueprint United for small business 97-546 startup funding case study USA 97-1918 startup United States 97-2169 luxury travel apps for entrepreneurs 97-2824 checklist America 97-1821 travel tips checklist America 97-214 travel software for small business 97-1401 luxury travel step by step America 97-835 healthy recipes roadmap for entrepreneurs 97-2754 healthy recipes study for small business 97-420 resume writing comparison for strategy trends for entrepreneurs 97-1847 SEO strategy trends for small entrepreneurs 97-1909 dropshipping business for beginners for small

5 3 Introduction To Multicomponent Distillation :

autorepair new update manuals on forum fiat facebook - Oct 05 2022

web autorepair april 30 2019 new update manuals on forum fiat allis fiat allis shop manual full set dvd size 2 47gb language english type fiat allis parts catalog windows window 7 window 8 window 10 32 64 bit models list

[fiat allis fb 7 service manual lcod clozemaker com](#) - Feb 26 2022

web apr 20 2023 skillfully as perception of this fiat allis fb 7 service manual can be taken as well as picked to act mobile crane manual donald e dickie 1982 brittle power amory b lovins 1982 mergers and acquisitions playbook mark a filippell 2010 12 02 the ultimate tricks of the trade guide to mergers and acquisitions

fiat allis fl7 fl7b dozer service repair manual - Sep 04 2022

web instant download fiat allis fl7 fl7b dozer service repair manual a downloadable repair manual also termed factory service manual is a book of repair skip to content welcome my account models covered in manual fiat allis fl7 fl7b dozer 73158157 chapters covered in manual index 73121213 8065 engine table of contents

download fiatallis crawler loader fl7 fd7 service manual - Jun 13 2023

web fiat pdf manual instant preview this pdf service manual describes the procedures for servicing the fiatallis crawler loader fl7 fd7 models this service manual contains repair and service information instructions for repair and maintenance pictures and schematics for fiatallis crawler loaders which will help to remove all the existing

[fiat allis fb 7 service manual app webshots com](#) - Dec 27 2021

web jan 29 2023 fiat allis fb 7 service manual file type download free fiat allis fb 7 service manual file type colleague will perform how you will acquire the fiat allis fb 7 service manual file type however the scrap book in soft file will be with simple to door all time page 12 38

[fiat allis fd7 crawler tractor service repair manual](#) - Jun 01 2022

web fiat allis fd7 crawler tractor service repair manual this highly detailed repair manual covers all repairs and servicing all technical details taken directly from the manufacturer can be found in this manual it is the factory manual from the manufacturer

download fiat allis fb7 service workshop manual pdf - Jul 14 2023

web operating instructions user manual owner s manual installation manual workshop manual repair manual service manual illustrated parts list electric schematics electronic schematics fiat allis fb7 download processing

read book fiat allis fb 7 service manual pdf for free - Nov 06 2022

web jul 2 2023 kindly say the fiat allis fb 7 service manual is universally compatible with any devices to read recognizing the mannerism ways to acquire this book fiat allis fb 7 service manual is additionally useful you have remained in right site to

start getting this info get the fiat allis fb 7 service manual member that we have enough money here

fiat allis fb 7 service manual pdf pdf features kualumni - Mar 10 2023

web fiat allis fb 7 service manual pdf pages 2 6 fiat allis fb 7 service manual pdf upload mita s robertson 2 6 downloaded from features kualumni org on september 7 2023 by mita s robertson age or experience whether you re a hobbyist new to the world of performance cars or a veteran car

fiatallis loader service manuals and spare parts catalogs - May 12 2023

web fiat allis fr10b 11 88 wheel loader spare parts catalog operation and maintenance manual service repair manual 2672027 fr10b 7 91 fiat allis fr10b 7 91 wheel loader spare parts catalog operation and maintenance manual service repair manual 2672028 fr10b 5 92 fiat allis fr10b 5 92 wheel loader spare parts catalog

fiat allis fr10b wheel loader service manual 73151988 issuu - Jul 02 2022

web dec 8 2020 fiat allis fr10b wheel loader service manual size 131 mb format pdf language english brand fiat type of machine wheel loader type of document service manual model fiat allis fr10b fr10c

fiat allis fd7 dozer service manual oldermanuals com - Mar 30 2022

web jan 26 2022 the fiat allis fd7 service manual includes specifications instructions and illustrations to aid mechanics with mechanical electrical or hydraulic repairs the complete service manual was carefully reproduced from the original dealer manual and is a must for mechanics repairing or rebuilding their fiat allis fd7 crawler dozer to the

fiat allis fr15 tramission service manual pdf download - Feb 09 2023

web dec 7 2020 fiat allis fr15 tramission service manual size 20 7 mb format pdf language english brand fiat type of document service manuals model fiat allis fr15

fiat allis service repair and maintenance manuals pdf - Aug 15 2023

web mar 22 2023 fiat allis 16 b power shift crawler tractor parts catalog pdf 11 1mb download fiat allis 21 b crawler tractor parts catalog pdf 11 2mb download fiat allis 345b wheel loader parts catalog pdf 8 7mb download fiat allis fb7b parts catalog pdf 5 5mb download fiat allis fb7b service manual pdf 2 1mb

fiat allis wheel loader fr7 service manual - Aug 03 2022

web type of document service manual model fiat allis fr7 wheel loaders contents fiat allis wheel loader fr7 8045 engine service manual 60406295 fiat allis wheel loader fr7 electrical systems service manual 60406381 fiat allis wheel loader fr7 axles service manual 60406384 fr7 index 73158183

download fiat allis fb7 installation manual pdf - Apr 30 2022

web operating instructions user manual owner s manual installation manual workshop manual repair manual service manual illustrated parts list electric schematics electronic schematics fiat allis fb7 download processing

fiat allis fb 7 service manual pdf free download - Jan 08 2023

web all access to fiat allis fb 7 service manual pdf free download fiat allis fb 7 service manual pdf or read fiat allis fb 7 service manual pdf on the most popular online pdf lab only register an account to download fiat allis fb 7 service manual pdf online pdf related to fiat allis fb 7 service manual get access fiat allis fb 7

fiat allis fb 7 service manual copy ftp bonide - Dec 07 2022

web download free fiat allis fb 7 service fiat allis fb 7 service this is likewise one of the factors by obtaining the soft documents of this fiat allis fb 7 service by online you might not require more epoch to spend to go to the book initiation as with ease as search for them in some cases fiat allis fb 7 service ibest9 com download service

fiat allis fb7b manual dexterity online manual sabrina miller - Jan 28 2022

web nov 30 2020 fiat allis fb7b manual dexterity fiat allis b loader chassis bucket service repair manual pdf operation and maintenance manual service repair manual 20 fiat allis 20 bulldozer spare parts catalog operation and maintenance manual service repair manual 20 fiat allis 20 bulldozer spare parts catalog operation

fiat allis fb7b user s guide instructions manual installation - Apr 11 2023

web service manual fiat allis fb7b this service manual or workshop manual or repair manual is the technical document containing instructions on how to keep the product working properly it covers the servicing maintenance and repair of the product

palaeontology definition evidence subdivisions and examples - Jul 27 2022

web nov 6 2023 the study of fossils is called palaeontology also spelt as paleontology the definition of palaeontology is that it is the scientific study of prehistoric life on earth especially the species that are extinct and it focuses on the study of fossils by using a variety of chemical physical and biological analytics techniques

dinosaur fingertip facts printable 3rd 5th grade teachervision - Jun 25 2022

web dinosaur fingertip facts printable 3rd 5th grade teachervision worksheets

paleontology 4th and 5th grade 2022 ai classmonitor - Apr 23 2022

web paleontology 4th and 5th grade 3 3 success paleontology frontiers media sa baja california wild desolate and a treasure house of geological wonders along its ancient shorelines careful observers can learn much about how the gulf of california came into existence and what the future of the baja california peninsula might be for

paleontology for kids ology amnh - Oct 10 2023

web what is paleontology paleontology is the study of ancient life from dinosaurs to prehistoric plants mammals fish insects fungi and even microbes fossil evidence reveals how organisms changed over time and what our planet was like long ago

paleontology definition usage examples dictionary com - May 25 2022

web paleontology definition see examples of paleontology used in a sentence

educational activities fossils and paleontology u s national - Feb 02 2023

web may 13 2020 students can complete a crossword puzzle of paleontology vocabulary grades 3 6 29 kb pdf be a paleontologist students are a paleontologist for a day and plan an expedition to uncover new evidence on the dinosaur extinction grades 4 8 15 kb pdf fossil fun crossword students can complete a crossword puzzle of paleontology

paleontology 4th and 5th grade vps huratips - Feb 19 2022

web paleontology 4th and 5th grade 1 paleontology 4th and 5th grade bibliography and index of north american geology

paleontology petrology and mineralogy for 1892 and 1893 1894 1899 1901 1904

so you wanna be a paleontologist u s national park service - Nov 30 2022

web aug 16 2022 lesson duration 60 minutes state standards colorado academic standards for science 4th grade 2 2 a

explain what fossils say the similarities between fossil and living organisms 2 2 b interpret evidence for past environments 2

3 c compare and contrast different habitat types thinking skills

paleontology 5th grade youtube - Sep 28 2022

web we are doing paleontology for half of our 5th grade science

fossils free pdf download learn bright - Aug 08 2023

web students will discover interesting facts about each type and learn some related vocabulary by the end of the lesson they will know the traits of various fossils and be able to explain how they form this lesson is for students in 4th grade 5th grade and 6th grade classroom procedure

paleontology definition examples facts britannica - Jan 01 2023

web nov 3 2023 paleontology scientific study of life of the geologic past that involves the analysis of plant and animal fossils including those of microscopic size preserved in rocks paleontology has played a key role in reconstructing earth s history and has provided much evidence to support the theory of evolution

fossils lessons worksheets and activities teacherplanet com - May 05 2023

web from math worksheets with dinosaur themes to lesson plans on paleontology you can find whatever you need for your classroom at teacher planet you can also find numerous dinosaur and fossil clip art resources teaching resources and fun activities like making your own fossil prints

4th grade paleontology online classes for kids outschool - Mar 03 2023

web 4th grade paleontology online classes for kids engaging live video chat classes vetted and passionate teachers build confidence through progress top rated 4th grade paleontology classes discover engaging 4th grade paleontology classes for kids online explore the world of dinosaurs fossils and more with interactive learning experiences

paleontologist lesson for kids definition facts study com - Oct 30 2022

web a paleontologist is someone who studies the history of life this is primarily done by searching for and observing fossils if you like science history and mysteries then paleontology may

what is a fossil kids activity lesson plan amnh - Apr 04 2023

web a fossil is any evidence of prehistoric life that is at least 10 000 years old the most common fossils are bones and teeth but footprints and skin impressions fossils as well fossils are excavated from ancient riverbeds and lakes caves volcanic ash falls and tar pits

paleontology 4th and 5th grade zofia kielan jaworowska copy - Mar 23 2022

web as review paleontology 4th and 5th grade what you later to read fossils for kids dan r lynch 2020 04 07 start your fossil collection with this simple guide as incredible as it sounds fossils are all around us waiting to be discovered become a young paleontologist 2 learn to find identify

fossils extinction science lesson for kids grades 3 5 - Jun 06 2023

web mar 31 2023 learn facts about fossils and dinosaur extinction watch our science lesson and fun dinosaur video for kids in 3rd 4th and 5th grade

learning about fossils through hands on science and literacy - Jul 07 2023

web paleo cookie dig grades 1 3 can be used with grades 4 5 students simulate a paleontology archaeology excavation using bar cookies students are introduced to the grid system used in excavations and create a bar graph to represent their findings

paleontology reading comprehension activity twinkl usa - Aug 28 2022

web the paleontology reading comprehension activity features six paragraphs of under 1 500 words that will take your students a maximum of 15 minutes to go through and comes with two multiple choice questions and a free response one

paleontology education national geographic society - Sep 09 2023

web 5thgrade articlevocabulary paleontologyis the study of the history of life on earth paleontologistslook at fossils which are the ancient remains of plants animals and other living things fossilsare mainly formed in two ways in one case animalor plantmatter is replaced by rock over time but the remains keep their original shape

ein wunsch geht zum sternbild des grossen hundes pdf 2023 - Feb 25 2022

web jul 1 2023 ein wunsch geht zum sternbild des großen hundes petra voss briegleb 2015 09 24 metamorphoses ovid 1960 ovid s magnificent panorama of the greek and

9783864601736 ein wunsch geht zum sternbild des großen - Jan 07 2023

web ein wunsch geht zum sternbild des großen hundes petra voss briegleb author finden sie alle bücher von petra voss briegleb bei der büchersuchmaschine eurobuch com

ein wunsch geht zum sternbild des grossen hundes book - Jun 12 2023

web das sternbild perseus nov 16 2022 kosmos sternfhrer fr unterwegs feb 19 2023 mit diesem praktischen naturfhrer kann jeder den sternenhimmel ganz einfach selbst

ein wunsch geht zum sternbild des großen hundes - May 11 2023

web das buch beschreibt wie familie anders sich auf die ankunft von siri vorbereitet und erklärt dabei welche entwicklungsphasen hunde durchlaufen auch wird berichtet wie siri auf

ein wunsch geht zum sternbild des großen hundes by petra - Sep 03 2022

web wunsch geht zum sternbild des großen hundes es ein wunsch geht zum sternbild des großen hundes ein wunsch geht zum sternbild des grossen hundes chepesch

ein wunsch geht zum sternbild des großen hundes by petra - Nov 05 2022

web dieses kinderbuch schildert auf spannende und unterhaltsame weise die geschichte von familie anders in diese tierliebe familie zieht die muntere pudelhündin siri ein das

großer hundsternbilder sterntaufe24 - Apr 29 2022

web der canis major ist ein sehr altes sternbild das bedeutet dass er den menschen aufgrund seiner auffälligen form schon seit vielen tausend jahren bekannt ist ptolemäus

9783864602900 ein wunsch geht zum sternbild des großen - Apr 10 2023

web ein wunsch geht zum sternbild des großen hundes finden sie alle bücher von voss briegleb petra bei der büchersuchmaschine eurobuch com können sie antiquarische

ein wunsch geht zum sternbild des großen hundes by petra - Oct 24 2021

web ein wunsch geht zum sternbild des großen hundes by petra voss briegleb ein wunsch geht zum sternbild des großen hundes by petra voss briegleb ein wunsch

ein wunsch geht zum sternbild des grossen hundes pdf - Nov 24 2021

web ein wunsch geht zum sternbild des großen hundes petra voss briegleb 2015 09 24 christus militans gabriella gelardini 2016 01 27 in christus militans knüpft gabriella

9783864600630 ein wunsch geht zum sternbild des großen - Feb 08 2023

web ein wunsch geht zum sternbild des großen hundes finden sie alle bücher von voss briegleb petra bei der büchersuchmaschine eurobuch de können sie antiquarische

ein wunsch geht zum sternbild des großen hundes overdrive - Mar 09 2023

web nov 24 2015 zum abschluss dieses buches erzählt herr anders seinen kindern die geschichte der entwicklung vom wolf zum hund und wie der hund zum menschen

ein wunsch geht zum sternbild des großen hundes amazon de - Aug 14 2023

web ein wunsch geht zum sternbild des großen hundes voss briegleb petra isbn 9783864602900 kostenloser versand für alle bücher mit versand und verkauf duch amazon

ein wunsch geht zum sternbild des grossen hundes weltbild - Dec 06 2022

web bücher online shop ein wunsch geht zum sternbild des grossen hundes von petra voss briegleb bei weltbild bestellen und von der kostenlosen lieferung profitieren

das sternbild großer hund sternregister de - Mar 29 2022

web der große hund liegt südlich des himmelsäquators westlich erstreckt sich das band der milchstraße von mitteleuropa aus kann das sternbild großer hund im winter über dem

☐ **stern im sternbild großer hund kreuzwortsrätsel de** - Jan 27 2022

web anzeige rätselfrage jetzt live tschechischer name der eger alle 2 antworten für stern im sternbild großer hund rätsellösung buchstaben optionen stern im sternbild

ein wunsch geht zum sternbild des großen hundes - Aug 02 2022

web dec 5 2012 ein wunderbares kinderbuch von petra voss briegleb über die geschichte der familie anders bei der die pudelhündin siri einzieht hier durfte ich die illustrationen

ein wunsch geht zum sternbild des großen hundes by petra - May 31 2022

web wunsch geht zum sternbild des großen hundes ein wunsch geht zum sternbild des großen hundes co ein wunsch geht zum sternbild des grossen hundes ein wunsch

großer hund wikipedia - Oct 04 2022

web beschreibung die drei sterne des oriongürtels zeigen direkt auf sirius den hellsten stern am nachthimmel der auch den südlichsten eckpunkt des wintersechsecks markiert

ein wunsch geht zum sternbild des großen hundes weltbild - Jul 13 2023

web klappentext zu ein wunsch geht zum sternbild des großen hundes dieses kinderbuch schildert auf spannende und unterhaltsame weise die geschichte von

ein wunsch geht zum sternbild des großen hundes - Dec 26 2021

web dieses buch gibt es in einer neuen auflage ein wunsch geht zum sternbild des großen hundes 15 00 1 nur noch 1 auf lager dieses kinderbuch schildert auf spannende

ein wunsch geht zum sternbild des grossen hundes 2023 - Jul 01 2022

web ein wunsch geht zum sternbild des grossen hundes allgemeine enzyklopädie der wissenschaften und künste may 17 2022 das evangelium der natur sep 21 2022

