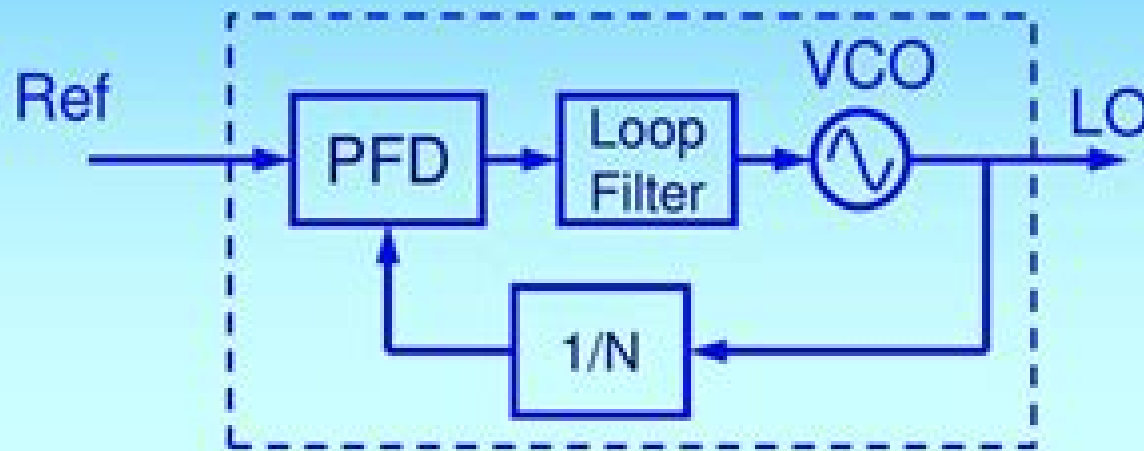


# Phase Locked Loops



$$f_{LO} = f_{ref} * N/M$$

Once locked,  $f_{ref} = f_{div}$   
But  $f_{div} = f_{LO} / N$   
Therefore,  $f_{LO} = N * f_{ref}$ .  
Smallest change in  $f_{LO}$  is  $f_{ref}$ .

For high tuning resolution, need very small  $f_{ref}$ .

# Phase Locked Loop Electrical Engineering Nmt

**Julia Schneider**



## **Phase Locked Loop Electrical Engineering Nmt:**

When somebody should go to the books stores, search inauguration by shop, shelf by shelf, it is in point of fact problematic. This is why we offer the books compilations in this website. It will certainly ease you to look guide **Phase Locked Loop Electrical Engineering Nmt** as you such as.

By searching the title, publisher, or authors of guide you truly want, you can discover them rapidly. In the house, workplace, or perhaps in your method can be all best area within net connections. If you object to download and install the Phase Locked Loop Electrical Engineering Nmt, it is agreed simple then, past currently we extend the colleague to buy and create bargains to download and install Phase Locked Loop Electrical Engineering Nmt therefore simple!

[https://py.bijouxmedusa.com/public/scholarship/default.aspx/matematica\\_discreta\\_libro.pdf](https://py.bijouxmedusa.com/public/scholarship/default.aspx/matematica_discreta_libro.pdf)

## **Table of Contents Phase Locked Loop Electrical Engineering Nmt**

1. Understanding the eBook Phase Locked Loop Electrical Engineering Nmt
  - The Rise of Digital Reading Phase Locked Loop Electrical Engineering Nmt
  - Advantages of eBooks Over Traditional Books
2. Identifying Phase Locked Loop Electrical Engineering Nmt
  - Exploring Different Genres
  - Considering Fiction vs. Non-Fiction
  - Determining Your Reading Goals
3. Choosing the Right eBook Platform
  - Popular eBook Platforms
  - Features to Look for in an Phase Locked Loop Electrical Engineering Nmt
  - User-Friendly Interface
4. Exploring eBook Recommendations from Phase Locked Loop Electrical Engineering Nmt
  - Personalized Recommendations
  - Phase Locked Loop Electrical Engineering Nmt User Reviews and Ratings
  - Phase Locked Loop Electrical Engineering Nmt and Bestseller Lists

5. Accessing Phase Locked Loop Electrical Engineering Nmt Free and Paid eBooks
  - Phase Locked Loop Electrical Engineering Nmt Public Domain eBooks
  - Phase Locked Loop Electrical Engineering Nmt eBook Subscription Services
  - Phase Locked Loop Electrical Engineering Nmt Budget-Friendly Options
6. Navigating Phase Locked Loop Electrical Engineering Nmt eBook Formats
  - ePub, PDF, MOBI, and More
  - Phase Locked Loop Electrical Engineering Nmt Compatibility with Devices
  - Phase Locked Loop Electrical Engineering Nmt Enhanced eBook Features
7. Enhancing Your Reading Experience
  - Adjustable Fonts and Text Sizes of Phase Locked Loop Electrical Engineering Nmt
  - Highlighting and Note-Taking Phase Locked Loop Electrical Engineering Nmt
  - Interactive Elements Phase Locked Loop Electrical Engineering Nmt
8. Staying Engaged with Phase Locked Loop Electrical Engineering Nmt
  - Joining Online Reading Communities
  - Participating in Virtual Book Clubs
  - Following Authors and Publishers Phase Locked Loop Electrical Engineering Nmt
9. Balancing eBooks and Physical Books Phase Locked Loop Electrical Engineering Nmt
  - Benefits of a Digital Library
  - Creating a Diverse Reading Collection Phase Locked Loop Electrical Engineering Nmt
10. Overcoming Reading Challenges
  - Dealing with Digital Eye Strain
  - Minimizing Distractions
  - Managing Screen Time
11. Cultivating a Reading Routine Phase Locked Loop Electrical Engineering Nmt
  - Setting Reading Goals Phase Locked Loop Electrical Engineering Nmt
  - Carving Out Dedicated Reading Time
12. Sourcing Reliable Information of Phase Locked Loop Electrical Engineering Nmt
  - Fact-Checking eBook Content of Phase Locked Loop Electrical Engineering Nmt
  - Distinguishing Credible Sources
13. Promoting Lifelong Learning

- Utilizing eBooks for Skill Development
  - Exploring Educational eBooks
14. Embracing eBook Trends
- Integration of Multimedia Elements
  - Interactive and Gamified eBooks

### **Phase Locked Loop Electrical Engineering Nmt Introduction**

In the digital age, access to information has become easier than ever before. The ability to download Phase Locked Loop Electrical Engineering Nmt has revolutionized the way we consume written content. Whether you are a student looking for course material, an avid reader searching for your next favorite book, or a professional seeking research papers, the option to download Phase Locked Loop Electrical Engineering Nmt has opened up a world of possibilities. Downloading Phase Locked Loop Electrical Engineering Nmt provides numerous advantages over physical copies of books and documents. Firstly, it is incredibly convenient. Gone are the days of carrying around heavy textbooks or bulky folders filled with papers. With the click of a button, you can gain immediate access to valuable resources on any device. This convenience allows for efficient studying, researching, and reading on the go. Moreover, the cost-effective nature of downloading Phase Locked Loop Electrical Engineering Nmt has democratized knowledge. Traditional books and academic journals can be expensive, making it difficult for individuals with limited financial resources to access information. By offering free PDF downloads, publishers and authors are enabling a wider audience to benefit from their work. This inclusivity promotes equal opportunities for learning and personal growth. There are numerous websites and platforms where individuals can download Phase Locked Loop Electrical Engineering Nmt. These websites range from academic databases offering research papers and journals to online libraries with an expansive collection of books from various genres. Many authors and publishers also upload their work to specific websites, granting readers access to their content without any charge. These platforms not only provide access to existing literature but also serve as an excellent platform for undiscovered authors to share their work with the world. However, it is essential to be cautious while downloading Phase Locked Loop Electrical Engineering Nmt. Some websites may offer pirated or illegally obtained copies of copyrighted material. Engaging in such activities not only violates copyright laws but also undermines the efforts of authors, publishers, and researchers. To ensure ethical downloading, it is advisable to utilize reputable websites that prioritize the legal distribution of content. When downloading Phase Locked Loop Electrical Engineering Nmt, users should also consider the potential security risks associated with online platforms. Malicious actors may exploit vulnerabilities in unprotected websites to distribute malware or steal personal information. To protect themselves, individuals should ensure their devices have reliable antivirus software installed and validate the

legitimacy of the websites they are downloading from. In conclusion, the ability to download Phase Locked Loop Electrical Engineering Nmt has transformed the way we access information. With the convenience, cost-effectiveness, and accessibility it offers, free PDF downloads have become a popular choice for students, researchers, and book lovers worldwide. However, it is crucial to engage in ethical downloading practices and prioritize personal security when utilizing online platforms. By doing so, individuals can make the most of the vast array of free PDF resources available and embark on a journey of continuous learning and intellectual growth.

## **FAQs About Phase Locked Loop Electrical Engineering Nmt Books**

**What is a Phase Locked Loop Electrical Engineering Nmt PDF?** A PDF (Portable Document Format) is a file format developed by Adobe that preserves the layout and formatting of a document, regardless of the software, hardware, or operating system used to view or print it. **How do I create a Phase Locked Loop Electrical Engineering Nmt PDF?** There are several ways to create a PDF: Use software like Adobe Acrobat, Microsoft Word, or Google Docs, which often have built-in PDF creation tools. Print to PDF: Many applications and operating systems have a "Print to PDF" option that allows you to save a document as a PDF file instead of printing it on paper. Online converters: There are various online tools that can convert different file types to PDF. **How do I edit a Phase Locked Loop Electrical Engineering Nmt PDF?** Editing a PDF can be done with software like Adobe Acrobat, which allows direct editing of text, images, and other elements within the PDF. Some free tools, like PDFescape or Smallpdf, also offer basic editing capabilities. **How do I convert a Phase Locked Loop Electrical Engineering Nmt PDF to another file format?** There are multiple ways to convert a PDF to another format: Use online converters like Smallpdf, Zamzar, or Adobe Acrobats export feature to convert PDFs to formats like Word, Excel, JPEG, etc. Software like Adobe Acrobat, Microsoft Word, or other PDF editors may have options to export or save PDFs in different formats. **How do I password-protect a Phase Locked Loop Electrical Engineering Nmt PDF?** Most PDF editing software allows you to add password protection. In Adobe Acrobat, for instance, you can go to "File" -> "Properties" -> "Security" to set a password to restrict access or editing capabilities. Are there any free alternatives to Adobe Acrobat for working with PDFs? Yes, there are many free alternatives for working with PDFs, such as: LibreOffice: Offers PDF editing features. PDFsam: Allows splitting, merging, and editing PDFs. Foxit Reader: Provides basic PDF viewing and editing capabilities. How do I compress a PDF file? You can use online tools like Smallpdf, ILovePDF, or desktop software like Adobe Acrobat to compress PDF files without significant quality loss. Compression reduces the file size, making it easier to share and download. Can I fill out forms in a PDF file? Yes, most PDF viewers/editors like Adobe Acrobat, Preview (on Mac), or various online tools allow you to fill out forms in PDF files by selecting text fields and entering information. Are there any

restrictions when working with PDFs? Some PDFs might have restrictions set by their creator, such as password protection, editing restrictions, or print restrictions. Breaking these restrictions might require specific software or tools, which may or may not be legal depending on the circumstances and local laws.

### **Find Phase Locked Loop Electrical Engineering Nmt :**

*matematica discreta libro*

**measurement instrumentation and sensors handbook second edition spatial mechanical thermal and radiation measurement**

market leader intermediate answer key practice file

manutenzione golf 7 tsi

*marshall valuation service life expectancy guidelines*

**mcmurry fay chemistry 6th edition solutions**

**manual gol g3 volkswagen**

mechanical engineering project synopsis

measuring and marking counterparty risk darrell duffie

mastering copperplate calligraphy a step by manual eleanor winters

**maya feature creature creations**

manual programacion android-espanol

**mba maths questions and answers**

**math quiz bowl**

mechanical design of machine elements and machines solution

### **Phase Locked Loop Electrical Engineering Nmt :**

download our customizable restaurant checklists - Sep 08 2023

web restaurant checklists use the restaurant checklists as a guide for deciding what should be happening in every area of your restaurant to create the quality products dining experience and operating results you expect

*restaurant checklist app template jotform - Jul 26 2022*

web cloned 237 a restaurant checklist app is used by restaurant owners and managers to document the condition of a restaurant by filling out inspection forms this restaurant checklist app includes two forms a food safety and hospitality

inspection checklist for recording the cleanliness of the restaurant interior and a site inspection checklist  
[free restaurant checklist template download in word](#) - Apr 03 2023

web create a restaurant checklist with template net s free printable sample templates create a checklist to keep track of the daily opening and closing cleaning kitchen inventory and inspection edit our templates to create your own  
*free 30 restaurant forms in pdf ms word* - Oct 29 2022

web 1 restaurant application form 2 restaurant membership applications form free 30 restaurant forms in pdf ms word 1 restaurant application form file format pdf download 2 restaurant membership applications form file format pdf download 3 restaurant employee safety checklist form file format pdf download 4

**downloadable restaurant management templates resources** - May 04 2023

web welcome to your complete collection of scheduling and restaurant management resources to grow your restaurant excel templates made for restaurants download all the tools you need to help you save time money and streamline your operations  
*free restaurant form templates cognito forms* - Feb 18 2022

web type industry feature restaurant forms digitize your paper forms create your own online reservation requests catering orders business forms and more with our free restaurant form templates customize forms for your restaurant business bakery or catering service

*free restaurant checklist form pdf safetyculture* - Oct 09 2023

web aug 15 2023 restaurant checklists are used by managers or quality inspectors to conduct site audits of all areas of the restaurant use this checklist to prepare the restaurant before opening set dining chairs and tables clean and sanitize the windows and table tops clean dirty floors

[41 restaurant checklist templates word pdf excel apple](#) - Aug 07 2023

web the most important feature of a restaurant checklist template is that it contains fillable and customizable elements that means you can change the restaurant checklist s list of tasks number of checkboxes graphic design notes and more

**restaurant operations checklist complete guide doforms** - Jul 06 2023

web jul 20 2022 doforms is a mobile forms solution that moves your restaurant operations towards a paperless approach by allowing you to build detailed checklists and post restaurant operations reports for improved organization easy access and ultimately streamlined management

**restaurant checklists hub free templates and downloads restaurant** - Jun 24 2022

web these restaurant checklists can be readily customized accessed and used through your laptop or cellphone restaurant checklists must be versatile as new tasks come in as soon as you introduce any new daily restaurant operation this reason is why digital restaurant checklist templates that can slightly must edited on future use are very useful

*free 6 sample restaurant checklist forms in pdf* - Apr 22 2022

web free 6 sample restaurant checklist forms in pdf to ensure that the restaurant business has a good start all the forms that you need to open a restaurant business should be secured and submitted

*restaurant opening checklist download free template fooddocs* - Nov 29 2022

web add row restaurant opening checklist in the everyday operations of the restaurant industry there are essential tasks that you need to fulfill to prepare your team before going into service some tasks are general to keep operations in order whereas some are very specific to your restaurant

*free kitchen operations checklists pdf safetyculture* - May 24 2022

web aug 29 2023 kitchen operations checklists to easily track kitchen procedures in restaurants hotels and other commercial kitchens get started for free with safetyculture

free restaurant audit template pdf safetyculture - Aug 27 2022

web aug 15 2023 preview sample pdf report this checklist can be used by managers to audit all areas of the restaurant check the arrangement of dining chairs and tables faulty electrical machines dirty floors and aisles etc this checklist also covers assessment of workers execution of safe practices use safetyculture to determine risks and non

**restaurant inspection checklist form template jotform** - Feb 01 2023

web submissions will be stored in your secure jotform account easily accessible from any device and ready to download or print in just one click customizing your restaurant inspection checklist only takes a few minutes with our easy to use form builder just drag and drop form fields questions rating scales input tables and images onto the

**free restaurant forms and checklists all food business** - Jun 05 2023

web free restaurant forms and checklists downloads restaurant business tax forms employee forms food safety posters food safety quizzes you may need a pdf reader to view some of the documents on this page contribute to our site site map

restaurant checklist free pdf download safetyculture - Sep 27 2022

web restaurant checklist download free style restaurant checklists are used by senior or quality inspectors to conduct site audits away show areas of the bar use this checklist to prepare the diner before opening applications forms and checklists atlanta ga set dining chairs and tables clean and sanitize the windows and table tops clean

restaurant inventory forms evaluations checklists michael - Mar 22 2022

web free restaurant inventory forms evaluation forms restaurant checklists inspection forms download here weekly snapshot pizza restaurant download here sos compliance audit report form download here food cost audit checklist form download here food inventory spreadsheet template

**daily restaurant management checklists the ultimate guide** - Mar 02 2023

web jan 20 2022 tips for creating and implementing checklists at your restaurant if you re starting in the restaurant industry and you want to start working with checklists you might be tempted to try to reinvent the wheel

**free restaurant checklist templates to design wepik** - Dec 31 2022

web other common restaurant checklists include inventory checklists kitchen prep checklists cleaning checklists and closing checklists restaurant checklists typically come in different formats such as paper checklists electronic checklists and

**welcome back school bbq ideas mail thekingiscoming com** - Mar 22 2022

web welcome back school bbq ideas independent schools first day jitters peace love barbecue bbq bistro food is the frosting company is the cake ebook cultures of staff wellbeing and mental health in schools reflecting on positive case studies editor publisher international year book new ways to engage parents the best 294 business

6 easy back to school bbq dinner ideas napoleon - May 04 2023

web with these six back to school dinner ideas prepping lunch and dinner will be a total breeze you ll be able to cook up drool worthy meals with minimal effort and less time so fire up that grill and get ready to create these six super easy back to

**welcome back bbq 2023 children s garden school** - Apr 22 2022

web sep 12 2023 as the sun set on our back to school bbq we left with full bellies full hearts and the excitement of a promising new school year ahead our annual welcome back bbq has become a cherished tradition that brings our school community together and creates lasting memories

*34 back to school bbq ideas back to school back to school party* - Jun 05 2023

web mar 12 2016 explore amber hancock s board back to school bbq followed by 493 people on pinterest see more ideas about back to school back to school party school parties

**welcome back school bbq ideas vps huratips** - Feb 18 2022

web 2 welcome back school bbq ideas 2022 05 07 educators everywhere confront critical issues related to families schooling and teaching in diverse settings addressing this reality this book shows

**back to school bbq flyer template** - Aug 27 2022

web download this back to school bbq flyer template design in word google docs illustrator psd apple pages publisher indesign format easily editable printable downloadable instant download

*21 back to school bbq ideas pinterest* - Aug 07 2023

web apr 23 2019 explore jamie baker s board back to school bbq followed by 101 people on pinterest see more ideas about back to school party back to school school parties pinterest

**start a new back to school tradition friday night family bbq** - Oct 29 2022

web so in lieu of all the extravagant back to school traditions we are kicking it back to the basics this year with an end of the

first week of school family night barbecue it didn't take much planning at all steps to organize a family night bbq for back to school step 1 ask your family what they would like to eat on the grill

**10 quick and easy back to school bbq recipes for the whole** - Feb 01 2023

web sep 12 2017 1 hot dogs on a stick anyone who has young kids in the family knows hot dogs can be a lifesaver you can fry them boil them microwave them or even grill them to add a fun twist grill your hot dogs with breadstick dough wrapped around them when they're skewered they'll make for a fun easy to dip dinner with little cleanup 2

**15 back to school bbq ideas pinterest** - Oct 09 2023

web jul 18 2021 explore jamie lynn's board back to school bbq on pinterest see more ideas about back to school school back to school party

**clarkelaw pinterest** - Jul 26 2022

web jun 10 2015 explore jacquelyn gulley's board back to school cookout ideas on pinterest see more ideas about cookout backyard bbq party kindergarten first day

*30 back to school bbq ideas back to school school flyer pinterest* - Apr 03 2023

web aug 6 2019 explore julian baet's board back to school bbq on pinterest see more ideas about back to school school flyer

**50 back to school barbecue ideas pinterest** - Mar 02 2023

web sep 2 2021 explore justine martinez's board back to school barbecue on pinterest see more ideas about back to school back to school party school parties pinterest

**how to plan a back to school barbecue fundraiser** - Dec 31 2022

web dec 10 2022 a back to school barbecue is a classic way to kick off the new school year and raise funds for your school not only is it a fun and relaxed way to celebrate the start of the school year but it also provides an opportunity for students teachers and parents to come together and build community

**welcome back to school pinterest** - Sep 27 2022

web sep 21 2023 discover the abcs and 123s of back to school ideas at your fingertips and ready to re-pin featuring favorite tips from fantastic bloggers gratefully sponsored by general mills cereals see more ideas about welcome

450 best easy back to school dinners ideas in 2023 pinterest - Nov 29 2022

web oct 14 2023 easy back to school dinners are in your future with these quick and easy dinner recipes enjoy easy comfort food quick healthy dinner ideas and of course kid approved dinner ideas grab a bottle of head country bbq today and make back to school dinners as easy as 1 2 3

welcome back bbq 2022 youtube - May 24 2022

web sep 9 2022 there was much to celebrate on the first day of school at our welcome back bbq including cds's 50th

birthday this weekend we also continue to watch the

**48 back to school bbq ideas pinterest** - Jul 06 2023

web jul 12 2018 explore michelle willis s board back to school bbq followed by 109 people on pinterest see more ideas about back to school school photos back to school party

five steps to planning a back to school bbq eventbrite - Sep 08 2023

web aug 31 2011 how are you prepping for your back to school events today s guest post is from susie erjavec parker a mom event planner and eventbrite user with the return to school upon us parents and teachers are socializing and getting to know each other in school yards and gyms throughout the world

back to school meal ideas the woks of life - Jun 24 2022

web aug 27 2023 we ve collected a bunch of back to school ideas for meals with tons of recipes to help you get into the swing of the school year summer may be ending but we hope you can find some ideas from packed lunches to busy weeknight dinners to soften the blow

the impatient lord a qurilixen world novel dragon lords - Sep 13 2023

web jul 21 2018 the impatient lord is book 8 in the very enjoyable paranormal scifi hot romantic series by michelle pillow it is the last on the series and tells the story of mirek and riona it is a wonderful addition to the dragon lords series that weaves the stories of the four royal cousins and their quest to find brides

**impatient lord a qurilixen world novel by michelle m pillow** - Feb 23 2022

web impatient lord a qurilixen world novel audiobook by michelle m pillow stream and download audiobooks to your computer tablet and ios and android devices

**the impatient lord audiobook by michelle m pillow hoopla** - Apr 27 2022

web download or stream the impatient lord by michelle m pillow melissa barr for free on hoopla the original dragon lords series by nyt bestselling author the impatient lord audiobook on hoopla digital

*the impatient lord ebook by michelle m pillow rakuten kobo* - Mar 07 2023

web read the impatient lord a qurilixen world novel by michelle m pillow available from rakuten kobo once mated these shifters will do anything to protect the women they love the original dragon lords series by ny times

**the impatient lord dragon lords 8 by michelle m pillow goodreads** - Oct 14 2023

web feb 27 2014 the impatient lord michelle m pillow 4 12 973 ratings138 reviews paranormal dragonsifter romance an unlucky bride riona grey lives life on her own terms traveling wherever the next spaceship is flying and doing what she must in order to get by when her luck turns sour she finds herself on a bridal ship heading to a marriage

**the impatient lord on apple books** - Feb 06 2023

web apr 20 2015 the qurilixen world is an extensive collection of paranormal fantasy and science fiction romance novels by award winning author michelle m pillow and includes several series installments dragon lords lords of the var space lords captured by a dragon shifter galaxy alien mail order brides dynasty lords qurilixen lords

[the impatient lord by michelle m pillow overdrive](#) - Jul 31 2022

web the impatient groom after years of failed marriage attempts at the festivals fate finally revealed lord mirek s bride a day too late eager to have her the dragon shifter nobleman defies tradition and lays claim but it s a mistake to go against fate s plans and his new wife is the one to pay the price of his impatience

**the impatient lord dragon lords michelle m pillow google** - Apr 08 2023

web dragon lords the impatient lord by michelle m pillow book 8 of the bestselling futuristic shapeshifter romance series an unlucky bride riona grey lives life on her own terms

**dragon lords series by michelle m pillow goodreads** - Aug 12 2023

web the impatient lord by michelle m pillow 4 12 973 ratings 138 reviews published 2014 10 editions paranormal dragonsifter romance an unlucky bride by michelle m pillow 4 33 276 ratings 21 reviews published 2014 1 edition dragon lords 1 4 box set dragon shifter paranormal

[the impatient lord dragon lords book 8 by michelle m pillow](#) - Dec 04 2022

web the impatient lord dragon lords book 8 by michelle m pillow book cover description

**the impatient lord by michelle m pillow new 9781625011763** - Jun 29 2022

web jul 13 2018 the impatient lord a qurilixen world novel by michelle m pillow author michelle m pillow series dragon lords condition new binding type paperback publisher raven books llc year published 2018 07 13 number of pages

*the impatient lord pillow michelle m amazon com mx libros* - Mar 27 2022

web the impatient lord is book 8 in the very enjoyable paranormal scifi hot romantic series by michelle pillow it is the last on the series and tells the story of mirek and riona it is a wonderful addition to the dragon lords series that weaves the stories of the four royal cousins and their quest to find brides

**the impatient lord a qurilixen world novel dragon lords book 8** - Nov 03 2022

web michelle m pillow is a prolific ny times usa today bestselling author with millions of books sold though she writes in many genres she is best known for sci fi paranormal romance mystery and paranormal women s fiction pwf her rich world building creates portals for the imagination she is a winner of the rt reviewers choice award

**the impatient lord a qurilixen world novel dragon lords pillow** - May 09 2023

web the impatient lord a qurilixen world novel dragon lords by pillow michelle m isbn 10 1625011768 isbn 13

9781625011763 raven books the 2018 softcover the impatient lord a qurilixen world novel dragon lords pillow michelle m

9781625011763 abebooks

[the impatient lord by michelle m pillow overdrive](#) - Oct 02 2022

web apr 20 2015 the impatient lord ebook a qurilixen world novel dragon lords by michelle m pillow read a sample format ebook series dragon lords author publisher the raven books llc release 20 april 2015 subjects fantasy fiction romance science fiction find this title in libby the library reading app by overdrive

**the impatient lord a qurilixen world novel michelle m pillow** - Jan 05 2023

web after years of failed marriage attempts at the festivals the gods finally revealed lord mirek s bride a day too late eager to have her he defied tradition and laid claim but it is a mistake

**the impatient lord michelle m pillow google books** - Jun 10 2023

web the impatient lord dragon lords 8 dragon shifter romance an unlucky bride riona grey lives life on her own terms traveling wherever the next spaceship is flying and doing what she must to

[the impatient lord dragon lords pillow michelle m](#) - Sep 01 2022

web dragon lords the impatient lord by michelle m pillow bestselling futuristic shapeshifter romance an unlucky bride riona grey lives life on her own terms traveling wherever the next spaceship is flying and doing what she must in order to get by when her luck turns sour she finds herself on a bridal ship heading to a marriage ceremony

[the impatient lord a qurilixen world novel by michelle m pillow](#) - Jul 11 2023

web jul 13 2018 michelle m pillow is a ny times and usa today bestselling romance paranormal women s fiction and mystery author she is best known for her qurilixen world an award winning bestselling collection of science fiction futuristic and paranormal romance novels

**the impatient lord by michelle m pillow audiobook scribd** - May 29 2022

web listen to the impatient lord by michelle m pillow with a free trial listen to bestselling audiobooks on the web ipad iphone and android once mated these shifters will do anything to protect the women they love