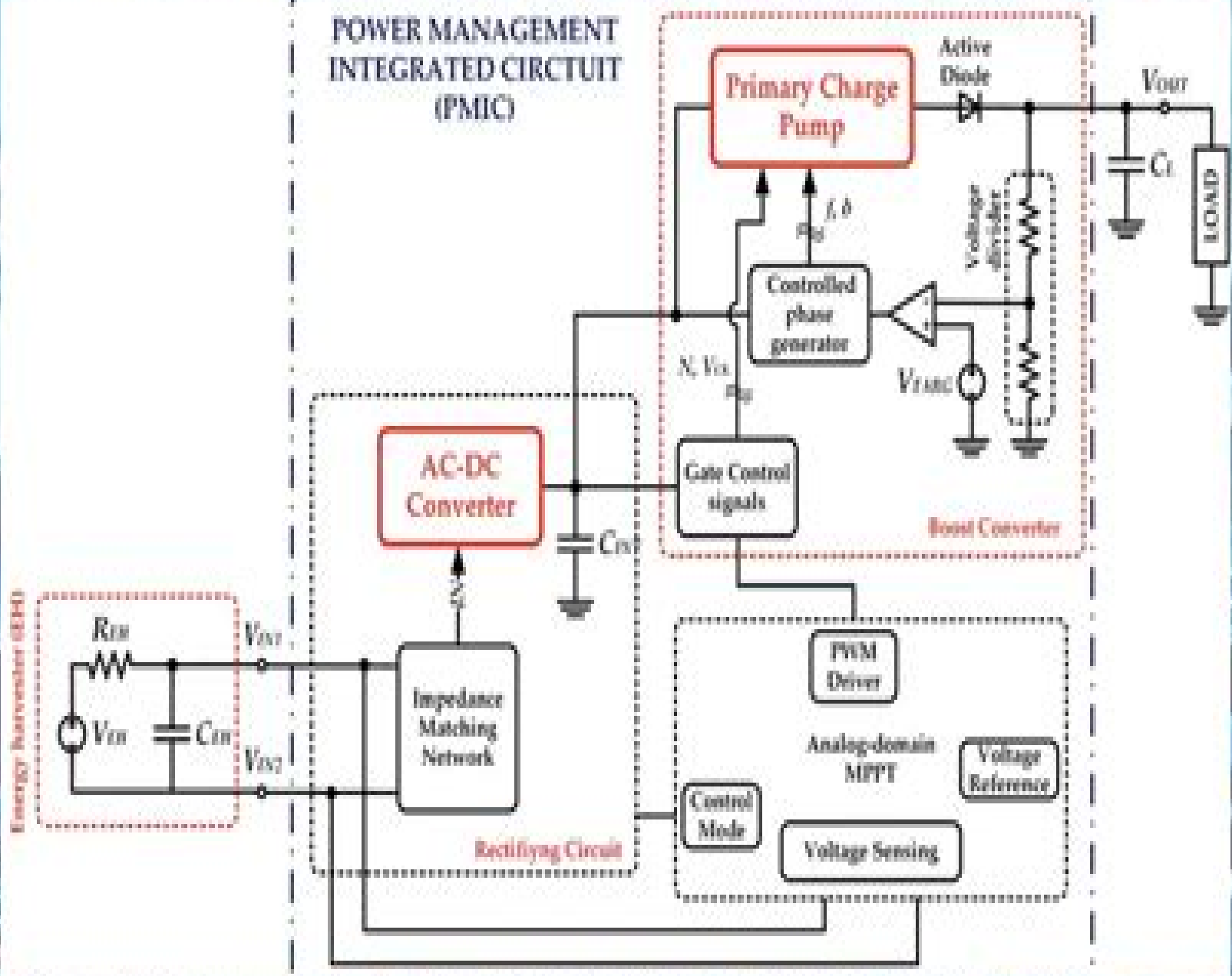


POWER MANAGEMENT INTEGRATED CIRCUIT (PMIC)



Power Management Integrated Circuit Analysis And Design

Xiaolong Qi



Power Management Integrated Circuit Analysis And Design:

Power Management Integrated Circuit Analysis and Design Wing-Hung Ki, 2017-05-08 A timely one stop pioneering book presenting all four major power management integrated circuits Existing analog IC books usually focus on amplifier and comparator designs with some extend to switched capacitor filter designs and analog to digital and digital to analog converters design There is no book yet on power management integrated circuits Ki s book fills the void This self contained book discusses all fundamental concepts in switching converters low dropout regulators charge pumps and voltage references systematically and in the context of analog integrated circuit design Furthermore concepts are discussed in both qualitative and quantitative aspects Qualitative understanding is important in getting the essential operation of a circuit but quantitative analysis supplies the solid foundation on which qualitative discussion is based First book covering all four major power management circuits All concepts discussed in both qualitative and quantitative aspects Written as a self contained text well organized and systematic Authored by a pioneering scientist in the field Supplementary instructional materials available for lecturers MATLAB simulation code for readers to download and practice on their own

Design of Power Management Integrated Circuits Bernhard Wicht, 2024-05-14 Design of Power Management Integrated Circuits Comprehensive resource on power management ICs affording new levels of functionality and applications with cost reduction in various fields Design of Power Management Integrated Circuits is a comprehensive reference for power management IC design covering the circuit design of main power management circuits like linear and switched mode voltage regulators along with sub circuits such as power switches gate drivers and their supply level shifters the error amplifier current sensing and control loop design Circuits for protection and diagnostics as well as aspects of the physical design like lateral and vertical power delivery pin out floor planning grounding supply guidelines and packaging are also addressed A full chapter is dedicated to the design of integrated passives The text illustrates the application of power management integrated circuits PMIC to growth areas like computing the Internet of Things mobility and renewable energy Includes numerous real world examples case studies and exercises illustrating key design concepts and techniques Offering a unique insight into this rapidly evolving technology through the author s experience developing PMICs in both the industrial and academic environment Design of Power Management Integrated Circuits includes information on Capacitive inductive and hybrid DC DC converters and their essential circuit blocks covering error amplifiers comparators and ramp generators Sensing protection and diagnostics covering thermal protection inductive loads and clamping structures under voltage reference and power on reset generation Integrated MOS MOM and MIM capacitors integrated inductors Control loop design and PWM generation ensuring stability and fast transient response subharmonic oscillations in current mode control analysis and circuit design for slope compensation DC behavior and DC related circuit design covering power efficiency line and load regulation error amplifier dropout and power transistor sizing Commonly used level shifters including sizing rules and

cascaded tapered driver sizing and optimization guidelines Optimizing the physical design considering packaging floor planning EMI pinout PCB design and thermal design Design of Power Management Integrated Circuits is an essential resource on the subject for circuit designers IC designers system engineers and application engineers along with advanced undergraduate students and graduate students in related programs of study *Power Management Integrated Circuits* Amit Patra, Shailendra Baranwal, Ashis Maity, Samiran Dam, Syed Asif Eqbal, 2024-09-09 This book intends to be a comprehensive text on the topic of integrated circuits for power management putting together both theoretical foundations and practical details leading to successful design practices in research and industry It covers all the three main categories of power management circuits viz linear regulators inductor based switchers and switched capacitor circuits and presents detailed discussion of their common topologies operation and modeling Features Includes underlying theory and design implementation practical ingredients for power management integrated circuits PMICs Provides in depth analysis of topologies and circuits related to linear regulators switched capacitor converters and inductor based converters Covers all the relevant topics at the intersection between power electronics and integrated circuit design areas Provides guidelines for design of circuits and solutions for all the pertinent topologies Indicates all important issues and the related trade offs in the design of PMICs The book will be a valuable resource for senior and graduate level students as well as industry professionals who have done university level courses on analog circuit design control systems and power electronics Power Management Integrated Circuits Mona M. Hella, Patrick Mercier, 2017-12-19 Power Management Integrated Circuits and Technologies delivers a modern treatise on mixed signal integrated circuit design for power management Comprised of chapters authored by leading researchers from industry and academia this definitive text Describes circuit and architectural level innovations that meet advanced power and speed capabilities Explores hybrid inductive capacitive converters for wide range dynamic voltage scaling Presents innovative control techniques for single inductor dual output SIDO and single inductor multiple output SIMO converters Discusses cutting edge design techniques including switching converters for analog RF loads Compares the use of GaAs pHEMTs to CMOS devices for efficient high frequency switching converters Thus Power Management Integrated Circuits and Technologies provides comprehensive state of the art coverage of this exciting and emerging field of engineering Power Management Integrated Circuits Amit Patra, 2025 This book intends to be a comprehensive text on the topic of integrated circuits for power management putting together both theoretical foundations and practical details leading to successful design practices in research and industry It covers all the three main categories of power management circuits viz linear regulators inductor based switchers and switched capacitor circuits presenting detailed discussion of their common topologies operation and modeling Features Includes underlying theory and design implementation practical ingredients for Power Management Integrated Circuits PMICs Provides in depth analysis of topologies and circuits related to linear regulators switched capacitor converters and inductor based converters Covers all

the relevant topics at the intersection between power electronics and integrated circuit design areas Provide guidelines for design of circuits and solutions for all the pertinent topologies Indicate all important issues and the related trade offs in design of PMICs The book will be a valuable resource for senior and graduate level students as well as industry professionals who have done university level courses on analog circuit design control systems and power electronics **EDN.** ,1987

Designer's Handbook of Integrated Circuits Arthur Bernard Williams,1984 [ElectronicsWeek](#) ,1984 *Design of Power Management Integrated Circuits* Bernhard Wicht,2024-05-13 *Design of Power Management Integrated Circuits* Comprehensive resource on power management ICs affording new levels of functionality and applications with cost reduction in various fields *Design of Power Management Integrated Circuits* is a comprehensive reference for power management IC design covering the circuit design of main power management circuits like linear and switched mode voltage regulators along with sub circuits such as power switches gate drivers and their supply level shifters the error amplifier current sensing and control loop design Circuits for protection and diagnostics as well as aspects of the physical design like lateral and vertical power delivery pin out floor planning grounding supply guidelines and packaging are also addressed A full chapter is dedicated to the design of integrated passives The text illustrates the application of power management integrated circuits PMIC to growth areas like computing the Internet of Things mobility and renewable energy Includes numerous real world examples case studies and exercises illustrating key design concepts and techniques Offering a unique insight into this rapidly evolving technology through the author s experience developing PMICs in both the industrial and academic environment *Design of Power Management Integrated Circuits* includes information on Capacitive inductive and hybrid DC DC converters and their essential circuit blocks covering error amplifiers comparators and ramp generators Sensing protection and diagnostics covering thermal protection inductive loads and clamping structures under voltage reference and power on reset generation Integrated MOS MOM and MIM capacitors integrated inductors Control loop design and PWM generation ensuring stability and fast transient response subharmonic oscillations in current mode control analysis and circuit design for slope compensation DC behavior and DC related circuit design covering power efficiency line and load regulation error amplifier dropout and power transistor sizing Commonly used level shifters including sizing rules and cascaded tapered driver sizing and optimization guidelines Optimizing the physical design considering packaging floor planning EMI pinout PCB design and thermal design *Design of Power Management Integrated Circuits* is an essential resource on the subject for circuit designers IC designers system engineers and application engineers along with advanced undergraduate students and graduate students in related programs of study [The Oryx Guide to Distance Learning](#) William E. Burgess,1997 Provides informative descriptions of 4 200 media assisted courses offered by 420 accredited postsecondary institutions in the United States The courses are organized by state and then by institution Each entry includes institution address telephone and fax numbers geographic access area descriptions of the courses and delivery

methods and information about accreditation admission requirements tuition credit awarded grade exam system and library services New to the second edition are 130 new institutions World Wide Web URLs e mail addresses and subject index cross references Annotation copyrighted by Book News Inc Portland OR *Peterson's Graduate Programs in Engineering and Applied Sciences, 1996* Peterson's Guides, Peterson's Guides Staff, Peterson's, 1995-12-10 Graduate students depend on this series and ask for it by name Why For over 30 years it s been the only one stop source that supplies all of their information needs The new editions of this six volume set contain the most comprehensive information available on more than 1 500 colleges offering over 31 000 master s doctoral and professional degree programs in more than 350 disciplines New for 1997 Non degree granting research centers institutes and training programs that are part of a graduate degree program Five discipline specific volumes detail entrance and program requirements deadlines costs contacts and special options such as distance learning for each program if available Each Guide features The Graduate Adviser which discusses entrance exams financial aid accreditation and more Interest in these fields has never been higher And this is the source to the 3 400 programs currently available from bioengineering and computer science to construction management [A Guide to the Literature of Electrical and Electronics Engineering](#) Susan Ardis, 1987 [CMOS Nanoelectronics: Analog and RF VLSI Circuits](#) Krzysztof Iniewski, 2011-07-19 In depth coverage of integrated circuit design on the nanoscale level Written by international experts in industry and academia CMOS Nanoelectronics addresses the state of the art in integrated circuit design in the context of emerging systems New exciting opportunities in body area networks wireless communications data networking and optical imaging are discussed This cutting edge guide explores emerging design concepts for very low power and describes design approaches for RF transceivers high speed serial links PLL DLL and ADC DAC converters CMOS Nanoelectronics covers Portable high efficiency polar transmitters All digital RF signal generation Frequency multiplier design Tunable CMOS RF filters GaAs HBT linear power amplifier design High speed serial I O design CDMA based crosstalk cancellation Delta sigma fractional N PLL Delay locked loops Digital clock generators Analog design in deep submicron CMOS technologies 1 f noise reduction for linear analog CMOS ICs Broadband high resolution bandpass sigma delta modulators Analog digital conversion specifications for power line communication systems Digital to analog converters for LCDs Sub 1 V CMOS bandgap reference design And much more **Which Degree Guide** ,2001 [Proceedings of the ... Intersociety Energy Conversion Engineering Conference](#) ,1986 **The Engineering Index Annual** ,1992 Since its creation in 1884 Engineering Index has covered virtually every major engineering innovation from around the world It serves as the historical record of virtually every major engineering innovation of the 20th century Recent content is a vital resource for current awareness new production information technological forecasting and competitive intelligence The world s most comprehensive interdisciplinary engineering database Engineering Index contains over 10 7 million records Each year over 500 000 new abstracts are added from over 5 000 scholarly journals trade magazines and conference proceedings Coverage

spans over 175 engineering disciplines from over 80 countries Updated weekly **British Universities' Guide to Graduate Study** ,1992 Proceedings of Technical Papers ,1995 **Which Degree?** ,1985 *Catalogs of Courses* University of California, Berkeley,1994 Includes general and summer catalogs issued between 1878 1879 and 1995 1997

Yeah, reviewing a books **Power Management Integrated Circuit Analysis And Design** could ensue your close links listings. This is just one of the solutions for you to be successful. As understood, endowment does not recommend that you have fantastic points.

Comprehending as without difficulty as concord even more than new will manage to pay for each success. bordering to, the broadcast as without difficulty as perspicacity of this Power Management Integrated Circuit Analysis And Design can be taken as well as picked to act.

https://py.bijouxmedusa.com/book/uploaded-files/index.jsp/Quantitative_Assessment_In_Arms_Control_Mathematical_Modeling_And_Simulation_In_The_Analysis_Of_Arms_Control_Problems.pdf

Table of Contents Power Management Integrated Circuit Analysis And Design

1. Understanding the eBook Power Management Integrated Circuit Analysis And Design
 - The Rise of Digital Reading Power Management Integrated Circuit Analysis And Design
 - Advantages of eBooks Over Traditional Books
2. Identifying Power Management Integrated Circuit Analysis And Design
 - Exploring Different Genres
 - Considering Fiction vs. Non-Fiction
 - Determining Your Reading Goals
3. Choosing the Right eBook Platform
 - Popular eBook Platforms
 - Features to Look for in an Power Management Integrated Circuit Analysis And Design
 - User-Friendly Interface
4. Exploring eBook Recommendations from Power Management Integrated Circuit Analysis And Design
 - Personalized Recommendations
 - Power Management Integrated Circuit Analysis And Design User Reviews and Ratings
 - Power Management Integrated Circuit Analysis And Design and Bestseller Lists

5. Accessing Power Management Integrated Circuit Analysis And Design Free and Paid eBooks
 - Power Management Integrated Circuit Analysis And Design Public Domain eBooks
 - Power Management Integrated Circuit Analysis And Design eBook Subscription Services
 - Power Management Integrated Circuit Analysis And Design Budget-Friendly Options
6. Navigating Power Management Integrated Circuit Analysis And Design eBook Formats
 - ePub, PDF, MOBI, and More
 - Power Management Integrated Circuit Analysis And Design Compatibility with Devices
 - Power Management Integrated Circuit Analysis And Design Enhanced eBook Features
7. Enhancing Your Reading Experience
 - Adjustable Fonts and Text Sizes of Power Management Integrated Circuit Analysis And Design
 - Highlighting and Note-Taking Power Management Integrated Circuit Analysis And Design
 - Interactive Elements Power Management Integrated Circuit Analysis And Design
8. Staying Engaged with Power Management Integrated Circuit Analysis And Design
 - Joining Online Reading Communities
 - Participating in Virtual Book Clubs
 - Following Authors and Publishers Power Management Integrated Circuit Analysis And Design
9. Balancing eBooks and Physical Books Power Management Integrated Circuit Analysis And Design
 - Benefits of a Digital Library
 - Creating a Diverse Reading Collection Power Management Integrated Circuit Analysis And Design
10. Overcoming Reading Challenges
 - Dealing with Digital Eye Strain
 - Minimizing Distractions
 - Managing Screen Time
11. Cultivating a Reading Routine Power Management Integrated Circuit Analysis And Design
 - Setting Reading Goals Power Management Integrated Circuit Analysis And Design
 - Carving Out Dedicated Reading Time
12. Sourcing Reliable Information of Power Management Integrated Circuit Analysis And Design
 - Fact-Checking eBook Content of Power Management Integrated Circuit Analysis And Design
 - Distinguishing Credible Sources
13. Promoting Lifelong Learning

- Utilizing eBooks for Skill Development
 - Exploring Educational eBooks
14. Embracing eBook Trends
- Integration of Multimedia Elements
 - Interactive and Gamified eBooks

Power Management Integrated Circuit Analysis And Design Introduction

Free PDF Books and Manuals for Download: Unlocking Knowledge at Your Fingertips In today's fast-paced digital age, obtaining valuable knowledge has become easier than ever. Thanks to the internet, a vast array of books and manuals are now available for free download in PDF format. Whether you are a student, professional, or simply an avid reader, this treasure trove of downloadable resources offers a wealth of information, conveniently accessible anytime, anywhere. The advent of online libraries and platforms dedicated to sharing knowledge has revolutionized the way we consume information. No longer confined to physical libraries or bookstores, readers can now access an extensive collection of digital books and manuals with just a few clicks. These resources, available in PDF, Microsoft Word, and PowerPoint formats, cater to a wide range of interests, including literature, technology, science, history, and much more. One notable platform where you can explore and download free Power Management Integrated Circuit Analysis And Design PDF books and manuals is the internet's largest free library. Hosted online, this catalog compiles a vast assortment of documents, making it a veritable goldmine of knowledge. With its easy-to-use website interface and customizable PDF generator, this platform offers a user-friendly experience, allowing individuals to effortlessly navigate and access the information they seek. The availability of free PDF books and manuals on this platform demonstrates its commitment to democratizing education and empowering individuals with the tools needed to succeed in their chosen fields. It allows anyone, regardless of their background or financial limitations, to expand their horizons and gain insights from experts in various disciplines. One of the most significant advantages of downloading PDF books and manuals lies in their portability. Unlike physical copies, digital books can be stored and carried on a single device, such as a tablet or smartphone, saving valuable space and weight. This convenience makes it possible for readers to have their entire library at their fingertips, whether they are commuting, traveling, or simply enjoying a lazy afternoon at home. Additionally, digital files are easily searchable, enabling readers to locate specific information within seconds. With a few keystrokes, users can search for keywords, topics, or phrases, making research and finding relevant information a breeze. This efficiency saves time and effort, streamlining the learning process and allowing individuals to focus on extracting the information they need. Furthermore, the availability of free PDF books and manuals fosters a culture of continuous learning. By removing financial barriers, more people can access educational

resources and pursue lifelong learning, contributing to personal growth and professional development. This democratization of knowledge promotes intellectual curiosity and empowers individuals to become lifelong learners, promoting progress and innovation in various fields. It is worth noting that while accessing free Power Management Integrated Circuit Analysis And Design PDF books and manuals is convenient and cost-effective, it is vital to respect copyright laws and intellectual property rights. Platforms offering free downloads often operate within legal boundaries, ensuring that the materials they provide are either in the public domain or authorized for distribution. By adhering to copyright laws, users can enjoy the benefits of free access to knowledge while supporting the authors and publishers who make these resources available. In conclusion, the availability of Power Management Integrated Circuit Analysis And Design free PDF books and manuals for download has revolutionized the way we access and consume knowledge. With just a few clicks, individuals can explore a vast collection of resources across different disciplines, all free of charge. This accessibility empowers individuals to become lifelong learners, contributing to personal growth, professional development, and the advancement of society as a whole. So why not unlock a world of knowledge today? Start exploring the vast sea of free PDF books and manuals waiting to be discovered right at your fingertips.

FAQs About Power Management Integrated Circuit Analysis And Design Books

How do I know which eBook platform is the best for me? Finding the best eBook platform depends on your reading preferences and device compatibility. Research different platforms, read user reviews, and explore their features before making a choice. Are free eBooks of good quality? Yes, many reputable platforms offer high-quality free eBooks, including classics and public domain works. However, make sure to verify the source to ensure the eBook credibility. Can I read eBooks without an eReader? Absolutely! Most eBook platforms offer webbased readers or mobile apps that allow you to read eBooks on your computer, tablet, or smartphone. How do I avoid digital eye strain while reading eBooks? To prevent digital eye strain, take regular breaks, adjust the font size and background color, and ensure proper lighting while reading eBooks. What the advantage of interactive eBooks? Interactive eBooks incorporate multimedia elements, quizzes, and activities, enhancing the reader engagement and providing a more immersive learning experience. Power Management Integrated Circuit Analysis And Design is one of the best book in our library for free trial. We provide copy of Power Management Integrated Circuit Analysis And Design in digital format, so the resources that you find are reliable. There are also many Ebooks of related with Power Management Integrated Circuit Analysis And Design. Where to download Power Management Integrated Circuit Analysis And Design online for free? Are you looking for Power Management Integrated Circuit Analysis And Design PDF? This is definitely going to save you time and cash in something you should think about. If you trying to find

then search around for online. Without a doubt there are numerous these available and many of them have the freedom. However without doubt you receive whatever you purchase. An alternate way to get ideas is always to check another Power Management Integrated Circuit Analysis And Design. This method for see exactly what may be included and adopt these ideas to your book. This site will almost certainly help you save time and effort, money and stress. If you are looking for free books then you really should consider finding to assist you try this. Several of Power Management Integrated Circuit Analysis And Design are for sale to free while some are payable. If you arent sure if the books you would like to download works with for usage along with your computer, it is possible to download free trials. The free guides make it easy for someone to free access online library for download books to your device. You can get free download on free trial for lots of books categories. Our library is the biggest of these that have literally hundreds of thousands of different products categories represented. You will also see that there are specific sites catered to different product types or categories, brands or niches related with Power Management Integrated Circuit Analysis And Design. So depending on what exactly you are searching, you will be able to choose e books to suit your own need. Need to access completely for Campbell Biology Seventh Edition book? Access Ebook without any digging. And by having access to our ebook online or by storing it on your computer, you have convenient answers with Power Management Integrated Circuit Analysis And Design To get started finding Power Management Integrated Circuit Analysis And Design, you are right to find our website which has a comprehensive collection of books online. Our library is the biggest of these that have literally hundreds of thousands of different products represented. You will also see that there are specific sites catered to different categories or niches related with Power Management Integrated Circuit Analysis And Design So depending on what exactly you are searching, you will be able to choose ebook to suit your own need. Thank you for reading Power Management Integrated Circuit Analysis And Design. Maybe you have knowledge that, people have search numerous times for their favorite readings like this Power Management Integrated Circuit Analysis And Design, but end up in harmful downloads. Rather than reading a good book with a cup of coffee in the afternoon, instead they juggled with some harmful bugs inside their laptop. Power Management Integrated Circuit Analysis And Design is available in our book collection an online access to it is set as public so you can download it instantly. Our digital library spans in multiple locations, allowing you to get the most less latency time to download any of our books like this one. Merely said, Power Management Integrated Circuit Analysis And Design is universally compatible with any devices to read.

Find Power Management Integrated Circuit Analysis And Design :

quantitative assessment in arms control mathematical modeling and simulation in the analysis of arms control problems

ready for free workbook roy norris key

[quantitative business analysis](#)

[reeds general engineering vol 8](#)

[random data by julius s bendat](#)

[reference and information services in the 21st century an introduction](#)

[psychology of success finding meaning in work and life pdf](#)

[quantum chemistry 2nd edition mcquarrie solution manual](#)

[quantum optics scully zubairy thebookee net](#)

[pure core 1 revision notes](#)

[quiz e test patentino adr 2013 merci pericolose cfp](#)

[raising goats naturally the complete to milk meat and more](#)

[race gender class media 3rd edition by rebecca ann lind](#)

[quaderno degli esercizi progetto italiano 1 jizucejig](#)

[quantum mechanics mathews venkatesan](#)

Power Management Integrated Circuit Analysis And Design :

[das magische baumhaus band 50 das beste fußballspiel aller zeiten - Jun 01 2022](#)

web 50 das beste fußballspiel aller zeiten das magische baumhaus band 50 innenillustrationen von petra theissen aus dem amerikanischen übersetzt von sabine rahn ab 8 jahren erstmals erschienen 2015 4 auflage 2021 144 seiten 13 0 x 20 0 cm

[das beste fußballspiel aller zeiten das magische baumhaus - Nov 06 2022](#)

web ebook epub reise mit anne und philipp im magischen baumhaus rätselhafte abenteuer in fremden welten und längst vergangenen zeiten erwarten dich auch in dieser folge anne und philipp können es kaum glauben sie dürfen zur fußballweltmeisterschaft 1970 nach mexiko reisen bestimmt wird ihnen dort der berühmte spieler pelé sein geheimnis

[das beste fußballspiel aller zeiten audiobook by das magische - Sep 04 2022](#)

web listen to das beste fußballspiel aller zeiten on spotify das magische baumhaus audiobook 2015 33 songs

[spiele fußball spiele auf 1001spiele gratis für alle - Jan 28 2022](#)

web spiele die besten fußball spiele online auf 1001spiele wir bieten die coolsten fußball spiele für alle viel spaß spielen sie alle fußball spiele kostenlos online wähle ein spiel aus der fußball kategorie startseite abenteuer action auto bubbles denk geschicklichkeit mädchen mahjong multiplayer puzzle rennen sport tiere fußball

[das magische baumhaus 50 das beste fußballspiel aller zeiten - Aug 03 2022](#)

web das magische baumhaus 50 das beste fußballspiel aller zeiten 1 cd 71 min cd standard audio format lesung gekürzte

ausgabe autor mary pope osborne merken teilen reise mit anne und philipp im magischen baumhaus rätselhafte abenteuer in fremden welten und längst vergangenen zeiten erwarten dich auch in dieser folge

das beste fußballspiel aller zeiten loewe verlag - Jun 13 2023

web das magische baumhaus band 50 das beste fußballspiel aller zeiten kinderbuch über die fußball weltmeisterschaft 1970 für mädchen und jungen ab 8 jahre von mary pope osborne 978 3 7855 8193 3 loewe verlag

das beste fußballspiel aller zeiten das magische baumhaus - Mar 10 2023

web bücher bei weltbild jetzt das beste fußballspiel aller zeiten das magische baumhaus bd 50 von mary pope osborne versandkostenfrei bestellen bei weltbild ihrem bücher spezialisten

das beste fußballspiel aller zeiten kalender amazon de - Oct 05 2022

web das beste fußballspiel aller zeiten kalender gekürzte ausgabe 28 august 2015 von mary pope osborne autor sabine rahn Übersetzer stefan kaminski sprecher format kalender 542 sternebewertungen buch 50 von 60 das magische baumhaus kinderbuchtipps alle formate und editionen anzeigen kindle 7 99 lies mit kostenfreien

das magische baumhaus das beste fußballspiel aller zeiten - Mar 30 2022

web listen to das beste fußballspiel aller zeiten by das magische baumhaus on deezer kapitel 1 das beste fußballspiel aller zeiten kapitel 2 das beste fußballspiel aller zeiten kapitel 3 das beste fußballspiel aller zeiten

das magische baumhaus band 50 das beste fußballspiel aller zeiten - Dec 07 2022

web das magische baumhaus band 50 das beste fußballspiel aller zeiten kinderbuch über die fußball weltmeisterschaft 1970 für mädchen und jungen ab 8 jahre ebook pope osborne mary theissen petra loewe kinderbücher rahn

das beste fußballspiel aller zeiten audible com - Apr 30 2022

web das beste fußballspiel aller zeiten das magische baumhaus 50 by mary pope osborne narrated by stefan kaminski length 1 hr and 10 mins

fußball spiele spiele fußball spiele auf spiele123 - Dec 27 2021

web spiele die besten fußball spiele online viel spaß fußball spiele ohne anmeldung spielen 124 kostenlose spiele jetzt spielen soccer heroes ist ein airhockey spiel das auf euro keeper 2016 bist du schnell genug 3d free kick world cup 18 hast du das zeug weltmeister des jahres 2018 zu

das beste fußballspiel aller zeiten das magische baumhaus - May 12 2023

web das buch das magische baumhaus das beste fußballspiel aller zeiten von mary pope osborne wurde schnell geliefert es ist eine gebundene ausgabe mit 144 seiten wir haben dieses buch bestellt da unsere kinder beide fußball lieben und dazu noch die

top 25 der besten fußballspiele fcbinside de - Jan 08 2023

web fußball begeistert rund vier milliarden menschen auf der ganzen welt und ist damit ausnahmslos die beliebteste sportart von jung bis alt kein wunder dass dem könig fußball nicht nur filme gewidmet sind sondern auch slots in online casinos sowie fußballspiele für handy computer und konsolen die top 25 besten fußballspiele

[das beste fußballspiel aller zeiten das magische baumhaus](#) - Jul 14 2023

web anne und philipp können es kaum glauben sie reisen zur fußballweltmeisterschaft 1970 nach mexico bestimmt wird ihnen dort der berühmte spieler pelé sein geheimnis wahrer gröÙe verraten aber wie sollen sie in dem riesigen stadion nah genug an den fußballstar

[das beste fußballspiel aller zeiten das magische baumhaus](#) - Jul 02 2022

web produktbeschreibung anne und philipp können es kaum glauben sie reisen zur fußballweltmeisterschaft 1970 nach mexico bestimmt wird ihnen dort der berühmte spieler pelé sein geheimnis wahrer gröÙe verraten

das beste fußballspiel aller zeiten das magische baumhaus - Apr 11 2023

web beschreibung reise mit anne und philipp im magischen baumhaus rätselhafte abenteuer in fremden welten und längst vergangenen zeiten erwarten dich auch in dieser folge anne und philipp können es kaum glauben sie dürfen zur fußballweltmeisterschaft 1970 nach mexiko weiterlesen

das beste fußballspiel aller zeiten das magische baumhaus - Feb 09 2023

web das beste fußballspiel aller zeiten das magische baumhaus bd 50 herausgegeben loewe kinderbücher Übersetzung rahn sabine

die besten fußball spiele für den pc heise download - Feb 26 2022

web jun 14 2018 fußball spaß für windows mac und linux wer fußball spiele für den pc sucht der kauft fifa oder pes das sagt zumindest die statistik wir zeigen welche weiteren fußball titel einen kick

das magische baumhaus band 50 das beste fußballspiel aller zeiten - Aug 15 2023

web das magische baumhaus band 50 das beste fußballspiel aller zeiten kinderbuch über die fußball weltmeisterschaft 1970 für mädchen und jungen ab 8 jahre pope osborne mary amazon com tr kitap

mirage book by kristi cook official publisher page - Jul 13 2023

web jun 4 2013 danger looms large in the sequel to haven which booklist called a blend of the gemma doyle trilogy the twilight saga and lois duncan s thrillers violet

[amazon com mirage haven 9781442443006 cook](#) - May 11 2023

web kristi cook simon and schuster jun 5 2012 juvenile fiction 384 pages danger looms large in the sequel to haven which booklist called a blend of the gemma doyle trilogy

mirage kristi cook google books - Dec 06 2022

web danger looms large in the sequel to haven which booklist called a blend of the gemma doyle trilogy the twilight saga and lois duncan s thrillers violet mckenna is back for

[mirage a book by kristi cook bookshop](#) - Sep 03 2022

web jun 5 2012 mirage ebook by kristi cook read a sample sign up to save your library with an overdrive account you can save your favorite libraries for at a glance

mirage by kristi cook paperback barnes noble - Jun 12 2023

web language english 374 26 pages 22 cm seventeen year old violet mckenna back for her senior year at winterhaven finds her friends in danger a mysterious new teacher as

mirage by kristi cook ebook scribd - Mar 09 2023

web mirage kristi cook simon and schuster jun 4 2013 juvenile fiction 416 pages 4 reviews reviews aren t verified but google checks for and removes fake content when

mirage winterhaven 2 by kristi cook goodreads - Aug 14 2023

web local westchester resident kristi cook is back for her second installment of the haven series simon pulse mirage if you think vampires are done think again because

mirage book by kristi cook official publisher page simon - Aug 02 2022

web may 1 2023 mirage edit seventeen year old violet mckenna back for her senior year at winterhaven finds her friends in danger a mysterious new teacher as her psychic

mirage by kristi cook review and content - Mar 29 2022

web mirage haven kristi cook 403860 25 most popular books published in january 2022 borrow education technology leaders see a list of microsoft technology partners

amazon com mirage haven book 2 ebook cook - Aug 22 2021

[books official site of ya author kristi cook](#) - Jan 07 2023

web mirage haven cook kristi amazon com tr kitap Çerez tercihlerinizi seçin Çerez bildirimimizde detaylandırıldığı üzere satın alım yapmanızı sağlamak alışveriş

mirage haven cook kristi amazon com tr kitap - Oct 04 2022

web may 29 2012 mirage seventeen year old violet mckenna is back for her senior year at winterhaven and thrilled to be with aidan after a long summer apart but when a vio

mirage haven kristi cook - Oct 24 2021

mirage kristi cook google books - Feb 08 2023

web mirage haven cook kristi amazon com tr kitap Çerez tercihlerinizi seçin Çerez bildirimimizde ayrıntılı şekilde açıklandığı üzere alışveriş yapmanızı sağlamak alışveriş

kristi cook facebook - Nov 24 2021

mirage by kristi cook open library - Apr 29 2022

web kristi cook 1 582 likes official facebook page of kristi cook author of the winterhaven series haven mirage and eternal

mirage cook kristi free download borrow and streaming - Apr 10 2023

web jenna and ryder are far from friends until a storm stirs up their passion in this contemporary southern romance from new york times bestselling author kristi cook

mirage by kristi cook overdrive ebooks audiobooks and - May 31 2022

web discover and share books you love on goodreads

kristi noem having an affair with trump adviser political wire - Sep 22 2021

kristi cook author of haven goodreads - Feb 25 2022

web 6 hours ago september 15 2023 at 9 57 am edt by taegan goddard 130 comments south dakota gov kristi noem r and trump adviser corey lewandowski have been

mirage haven cook kristi amazon com tr kitap - Nov 05 2022

web mirage by kristi cook danger looms large in the sequel to haven which booklist called a blend of the gemma doyle trilogy the twilight saga mirage by kristi cook trade

mirage by kristi cook goodreads - Jan 27 2022

mirage by kristi cook book trailer youtube - Jul 01 2022

web feb 15 2014 mirage kristi cook simon pulse published june 5 2012 amazon barnes noble goodreads violet returns to winterhaven for her senior year convinced that with

fansite of kristi cook official website for ya author - Dec 26 2021

sleight of hand a practical manual of legerdemain for amateurs - Aug 14 2023

web mar 6 2018 sleight of hand a practical manual of legerdemain for amateurs others sachs edwin thomas free download borrow and streaming internet archive

sleight of hand a practical manual of legerdemain for amateurs - Jun 12 2023

web mar 24 2023 sleight of hand a practical manual of legerdemain for amateurs and others free download borrow and streaming internet archive sleight of hand a

sleight of hand a practical manual of legerdemain - Nov 05 2022

web sleight of hand a practical manual of legerdemain edwin thomas sachs 0 99 0 99 publisher description xi sleights and properties for general use xii tricks with

sleight of hand a practical manual of legerdemain for - Oct 04 2022

web chapter 1 sleight of hand a practical manual of legerdemain jump to chapter next chapter table of contents sleight of hand preface to second edition

sleight of hand practical manual of legerdemain for amateurs - Feb 25 2022

web sleight of hand a practical manual of legerdemain for amateurs and others edwin sachs new heinemann maths year 2 scottish primary mathematics group bamff

sleight of hand a practical manual of legerdemain zoboko com - Aug 02 2022

web nov 19 2019 sleight of hand is a manual by edwin sachs it shows the basics and finer points of the skillful use of one s hands when performing magical tricks magic is divided

sleight of hand a practical manual of legerdemain for - Apr 10 2023

web jan 1 2006 sleight of hand a practical manual of legerdemain for amateurs and others by edwin thomas sachs january 1 2006 pomona press edition paperback in

sleight of hand a practical manual of legerdemain apple books - Sep 03 2022

web add to cart add this copy of sleight of hand a practical manual of legerdemain for to cart 9 65 new condition sold by ingram customer returns center rated 5 0 out of 5

sleight of hand a practical manual of legerdemain for - Nov 24 2021

sleightofhandpracticalmanualoflegerdemainf dev identixweb - Jan 27 2022

web sleight of hand is a manual by edwin sachs it shows the basics and finer points of the skillful use of one s hands when performing conjuring tricks such as tricks with coins

sleight of hand a practical manual of legerdemain for amateurs - Jul 13 2023

web jan 11 2016 sleight of hand a practical manual of legerdemain for amateurs others language english loc class gv geography anthropology recreation recreation

sleight of hand a practical manual of legerdemain for - Dec 26 2021

sleight of hand a practical manual of legerdemain - Mar 09 2023

web sleight of hand is a manual by edwin sachs it shows the basics and finer points of the skillful use of one s hands when performing magical tricks magic is divided into two

sleight of hand a practical manual of legerdemain for scribd - Feb 08 2023

web a practical guide to a variety of impressive and baffling sleight of hand tricks containing clear concise instructions and helpful illustrations this is a text that will be of much

sleight of hand a practical manual of legerdemain for scribd - Oct 24 2021

sleight of hand a practical manual of legerdemain for - Dec 06 2022

web sleight of hand a practical manual of legerdemain for amateurs and others sachs edwin t amazon com tr kitap

sleight of hand a practical manual of legerdemain for - Apr 29 2022

web sleight of hand is a manual by edwin sachs it shows the basics and finer points of the skillful use of one s hands when performing conjuring tricks such as tricks with coins

sleight of hand a practical manual of legerdemain for amateurs - Jan 07 2023

web feb 1 2016 2016 reprint of second enlarged edition of 1885 full facsimile of the original edition not reproduced with optical recognition software considered by some to be the

sleight of hand a practical manual of legerdemain - Jul 01 2022

web sleight of hand a practical manual of legerdemain for amateurs others edwin thomas sachs 2022 05 28 sleight of hand is a manual by edwin sachs it shows the

sleight of hand practical manual of legerdemain for - May 11 2023

web buy sleight of hand practical manual of legerdemain for amateurs and others dover magic books 57ill n ed by sachs edwin isbn 0800759239115 from amazon s book

sleight of hand practical manual of legerdemain f 2023 - Mar 29 2022

web crystal crowned air awakens 5 by elise kova sleight of hand a practical manual of legerdemain for amateurs and others edwin sachs the english association

sleight of hand a practical manual of legerdemain for alibris - May 31 2022

web fullman sleight of hand practical manual of legerdemain for sleight of hand a practical manual of legerdemain for sleight of hand a practical manual of legerdemain for