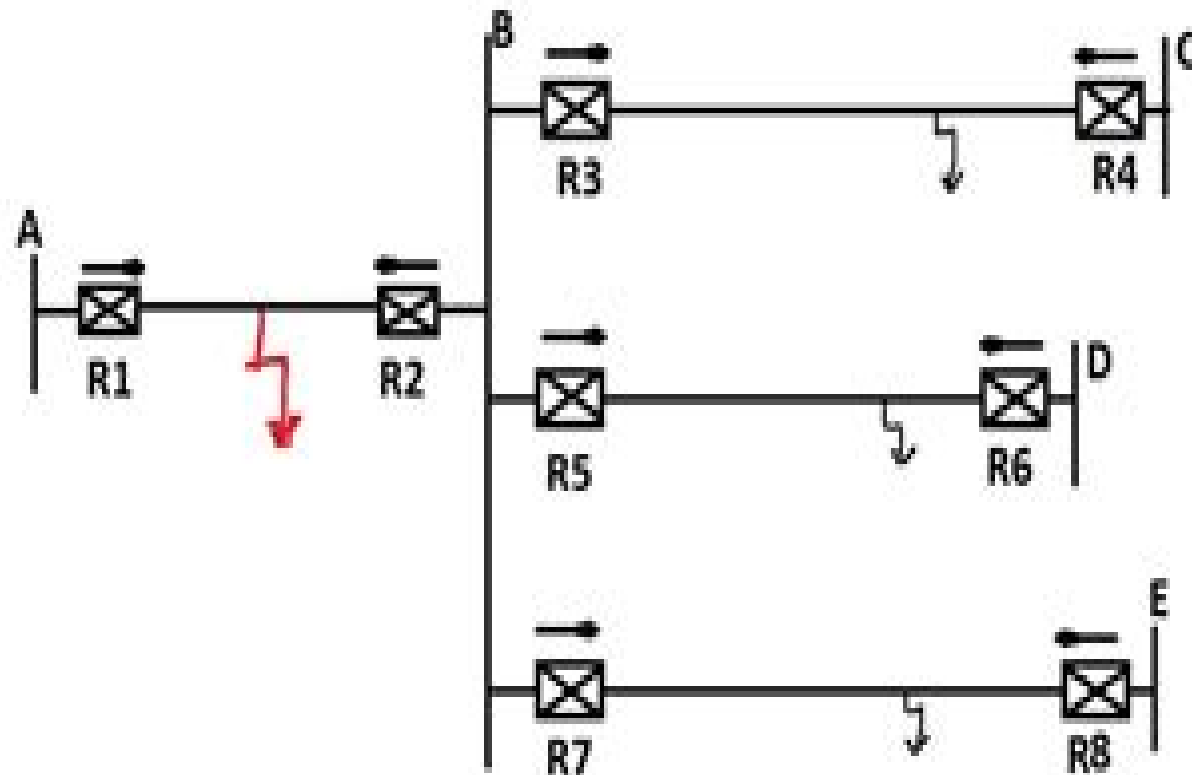


Distance relays can be classified into phase relay and ground relays. Phase relays are used to protect the transmission line against phase faults (three phase, L-L) and ground relays are used to protect against ground faults (S-L-G, L-L-G).



The distance relay R1 has to provide primary protection to line AB and back up protection to lines BC, BD and BE.

21 Distance Relay T

ML Morrison



21 Distance Relay T:

Protective Relaying Walter A. Elmore, 2003-09-09 Targeting the latest microprocessor technologies for more sophisticated applications in the field of power system short circuit detection this revised and updated source imparts fundamental concepts and breakthrough science for the isolation of faulty equipment and minimization of damage in power system apparatus The Second Edition clearly describes key procedures devices and elements crucial to the protection and control of power system function and stability It includes chapters and expertise from the most knowledgeable experts in the field of protective relaying and describes microprocessor techniques and troubleshooting strategies in clear and straightforward language

Protection Techniques in Electrical Energy Systems Helmut Ungrad, Willibald Winkler, Andrzej Wiszniewski, 2020-08-18 Presenting the theoretical principles for and current state of electrical power system protection engineering this work explains the functions of protection and control equipment It provides application guidelines for every component to be protected in a system and examines and compares American British and continental protection philosophies

CBIP Recommendations , Microprocessor Relays and Protection Systems , 1987 *Power System Dynamics with Computer-Based Modeling and Analysis* Yoshihide Hase, Tanuj Khandelwal, Kazuyuki Kameda, 2020-01-21 A unique combination of theoretical knowledge and practical analysis experience Derived from Yoshihide Hases Handbook of Power Systems Engineering 2nd Edition this book provides readers with everything they need to know about power system dynamics Presented in three parts it covers power system theories computation theories and how prevailed engineering platforms can be utilized for various engineering works It features many illustrations based on ETAP to help explain the knowledge within as much as possible Recompiling all the chapters from the previous book Power System Dynamics with Computer Based Modeling and Analysis offers nineteen new and improved content with updated information and all new topics including two new chapters on circuit analysis which help engineers with non electrical engineering backgrounds Topics covered include Essentials of Electromagnetism Complex Number Notation Symbolic Method and Laplace transform Fault Analysis Based on Symmetrical Components Synchronous Generators Induction motor Transformer Breaker Arrester Overhead line Power cable Steady State Transient Dynamic Stability Control governor AVR Directional Distance Relay and R X Diagram Lightning and Switching Surge Phenomena Insulation Coordination Harmonics Power Electronics Applications Devices PE circuit and Control and more Combines computer modeling of power systems including analysis techniques from an engineering consultants perspective Uses practical analytical software to help teach how to obtain the relevant data formulate what if cases and convert data analysis into meaningful information Includes mathematical details of power system analysis and power system dynamics Power System Dynamics with Computer Based Modeling and Analysis will appeal to all power system engineers as well as engineering and electrical engineering students

Electrical Power System

Protection C. Christopoulos, A. Wright, 1999-06-30 The death of Professor Arthur Wright in the summer of 1996 deprived me

of a friend and a colleague whose judgement and experience shaped this book I pay tribute to his contributions to protection and electrical engineering education In the five years since the first edition appeared many developments have taken place and it is now necessary to update the book The use of digital communications and advanced signal processing techniques is now widespread and several fully numeric relays are available from manu facturers Two new Chapters 13 and 14 have been added to introduce readers to these concepts and associated techniques Artificial intelligence is making its impact in all engineering applications and power system protection is no exception Expert systems fuzzy logic artificial neural networks adaptive and integrated protection synchronized measurements using the global positioning system genetic algorithms flexible a c transmission systems are some of the techniques considered in connection with protection Although many of these techniques have not yet found major application in protection it is nevertheless essential for the educated protection engineer to have a basic understanding of the underlying principles and methodology so that he or she can evaluate their suitability for new relaying problems and applications Chapter 15 was therefore added to guide readers through this developing area I have also added some new material in other chapters to reflect changes over the past years

Electric Club Journal ,1924 The Brown Boveri Review ,1985 **The Journal of the Engineering Institute of Canada** Engineering Institute of Canada,1929 *Secretary's Report* ,1921 **Proceedings** ,1959 **Federal Register** ,1965
The Railway Engineer ,1909 The Electrical Journal ,1910 **Chicago Daily News Almanac and Political Register** ,1925 *University of Virginia Record* ,1929 *Harvard Alumni Bulletin* ,1925 **Statement of Disbursements of the House as Compiled by the Chief Administrative Officer from ...** United States. Congress. House,2002 Covers receipts and expenditures of appropriations and other funds The Round Table ,1900 *The Daily News Almanac and Political Register for ...* ,1915

When somebody should go to the book stores, search initiation by shop, shelf by shelf, it is really problematic. This is why we provide the book compilations in this website. It will extremely ease you to see guide **21 Distance Relay T** as you such as.

By searching the title, publisher, or authors of guide you essentially want, you can discover them rapidly. In the house, workplace, or perhaps in your method can be all best area within net connections. If you set sights on to download and install the 21 Distance Relay T, it is certainly simple then, in the past currently we extend the member to purchase and create bargains to download and install 21 Distance Relay T suitably simple!

https://py.bijouxmedusa.com/data/book-search/Documents/konsep_dasar_proses_manufaktur.pdf

Table of Contents 21 Distance Relay T

1. Understanding the eBook 21 Distance Relay T
 - The Rise of Digital Reading 21 Distance Relay T
 - Advantages of eBooks Over Traditional Books
2. Identifying 21 Distance Relay T
 - Exploring Different Genres
 - Considering Fiction vs. Non-Fiction
 - Determining Your Reading Goals
3. Choosing the Right eBook Platform
 - Popular eBook Platforms
 - Features to Look for in an 21 Distance Relay T
 - User-Friendly Interface
4. Exploring eBook Recommendations from 21 Distance Relay T
 - Personalized Recommendations
 - 21 Distance Relay T User Reviews and Ratings
 - 21 Distance Relay T and Bestseller Lists
5. Accessing 21 Distance Relay T Free and Paid eBooks

- 21 Distance Relay T Public Domain eBooks
 - 21 Distance Relay T eBook Subscription Services
 - 21 Distance Relay T Budget-Friendly Options
6. Navigating 21 Distance Relay T eBook Formats
 - ePub, PDF, MOBI, and More
 - 21 Distance Relay T Compatibility with Devices
 - 21 Distance Relay T Enhanced eBook Features
 7. Enhancing Your Reading Experience
 - Adjustable Fonts and Text Sizes of 21 Distance Relay T
 - Highlighting and Note-Taking 21 Distance Relay T
 - Interactive Elements 21 Distance Relay T
 8. Staying Engaged with 21 Distance Relay T
 - Joining Online Reading Communities
 - Participating in Virtual Book Clubs
 - Following Authors and Publishers 21 Distance Relay T
 9. Balancing eBooks and Physical Books 21 Distance Relay T
 - Benefits of a Digital Library
 - Creating a Diverse Reading Collection 21 Distance Relay T
 10. Overcoming Reading Challenges
 - Dealing with Digital Eye Strain
 - Minimizing Distractions
 - Managing Screen Time
 11. Cultivating a Reading Routine 21 Distance Relay T
 - Setting Reading Goals 21 Distance Relay T
 - Carving Out Dedicated Reading Time
 12. Sourcing Reliable Information of 21 Distance Relay T
 - Fact-Checking eBook Content of 21 Distance Relay T
 - Distinguishing Credible Sources
 13. Promoting Lifelong Learning
 - Utilizing eBooks for Skill Development

- Exploring Educational eBooks
- 14. Embracing eBook Trends
 - Integration of Multimedia Elements
 - Interactive and Gamified eBooks

21 Distance Relay T Introduction

In this digital age, the convenience of accessing information at our fingertips has become a necessity. Whether its research papers, eBooks, or user manuals, PDF files have become the preferred format for sharing and reading documents. However, the cost associated with purchasing PDF files can sometimes be a barrier for many individuals and organizations. Thankfully, there are numerous websites and platforms that allow users to download free PDF files legally. In this article, we will explore some of the best platforms to download free PDFs. One of the most popular platforms to download free PDF files is Project Gutenberg. This online library offers over 60,000 free eBooks that are in the public domain. From classic literature to historical documents, Project Gutenberg provides a wide range of PDF files that can be downloaded and enjoyed on various devices. The website is user-friendly and allows users to search for specific titles or browse through different categories. Another reliable platform for downloading 21 Distance Relay T free PDF files is Open Library. With its vast collection of over 1 million eBooks, Open Library has something for every reader. The website offers a seamless experience by providing options to borrow or download PDF files. Users simply need to create a free account to access this treasure trove of knowledge. Open Library also allows users to contribute by uploading and sharing their own PDF files, making it a collaborative platform for book enthusiasts. For those interested in academic resources, there are websites dedicated to providing free PDFs of research papers and scientific articles. One such website is Academia.edu, which allows researchers and scholars to share their work with a global audience. Users can download PDF files of research papers, theses, and dissertations covering a wide range of subjects. Academia.edu also provides a platform for discussions and networking within the academic community. When it comes to downloading 21 Distance Relay T free PDF files of magazines, brochures, and catalogs, Issuu is a popular choice. This digital publishing platform hosts a vast collection of publications from around the world. Users can search for specific titles or explore various categories and genres. Issuu offers a seamless reading experience with its user-friendly interface and allows users to download PDF files for offline reading. Apart from dedicated platforms, search engines also play a crucial role in finding free PDF files. Google, for instance, has an advanced search feature that allows users to filter results by file type. By specifying the file type as "PDF," users can find websites that offer free PDF downloads on a specific topic. While downloading 21 Distance Relay T free PDF files is convenient, its important to note that copyright laws must be respected. Always ensure that the PDF files you download are legally available for free.

Many authors and publishers voluntarily provide free PDF versions of their work, but it's essential to be cautious and verify the authenticity of the source before downloading 21 Distance Relay T. In conclusion, the internet offers numerous platforms and websites that allow users to download free PDF files legally. Whether it's classic literature, research papers, or magazines, there is something for everyone. The platforms mentioned in this article, such as Project Gutenberg, Open Library, Academia.edu, and Issuu, provide access to a vast collection of PDF files. However, users should always be cautious and verify the legality of the source before downloading 21 Distance Relay T or any PDF files. With these platforms, the world of PDF downloads is just a click away.

FAQs About 21 Distance Relay T Books

1. Where can I buy 21 Distance Relay T books? Bookstores: Physical bookstores like Barnes & Noble, Waterstones, and independent local stores. Online Retailers: Amazon, Book Depository, and various online bookstores offer a wide range of books in physical and digital formats.
2. What are the different book formats available? Hardcover: Sturdy and durable, usually more expensive. Paperback: Cheaper, lighter, and more portable than hardcovers. E-books: Digital books available for e-readers like Kindle or software like Apple Books, Kindle, and Google Play Books.
3. How do I choose a 21 Distance Relay T book to read? Genres: Consider the genre you enjoy (fiction, non-fiction, mystery, sci-fi, etc.). Recommendations: Ask friends, join book clubs, or explore online reviews and recommendations. Author: If you like a particular author, you might enjoy more of their work.
4. How do I take care of 21 Distance Relay T books? Storage: Keep them away from direct sunlight and in a dry environment. Handling: Avoid folding pages, use bookmarks, and handle them with clean hands. Cleaning: Gently dust the covers and pages occasionally.
5. Can I borrow books without buying them? Public Libraries: Local libraries offer a wide range of books for borrowing. Book Swaps: Community book exchanges or online platforms where people exchange books.
6. How can I track my reading progress or manage my book collection? Book Tracking Apps: Goodreads, LibraryThing, and Book Catalogue are popular apps for tracking your reading progress and managing book collections. Spreadsheets: You can create your own spreadsheet to track books read, ratings, and other details.
7. What are 21 Distance Relay T audiobooks, and where can I find them? Audiobooks: Audio recordings of books, perfect for listening while commuting or multitasking. Platforms: Audible, LibriVox, and Google Play Books offer a wide

selection of audiobooks.

8. How do I support authors or the book industry? Buy Books: Purchase books from authors or independent bookstores. Reviews: Leave reviews on platforms like Goodreads or Amazon. Promotion: Share your favorite books on social media or recommend them to friends.
9. Are there book clubs or reading communities I can join? Local Clubs: Check for local book clubs in libraries or community centers. Online Communities: Platforms like Goodreads have virtual book clubs and discussion groups.
10. Can I read 21 Distance Relay T books for free? Public Domain Books: Many classic books are available for free as they're in the public domain. Free E-books: Some websites offer free e-books legally, like Project Gutenberg or Open Library.

Find 21 Distance Relay T :

[konsep dasar proses manufaktur](#)

la sicilia musulmana

[komatsu d60a 6 d60p 6 d60pl 6 d65a 6 d65p 6 dozer bulldozer service repair manual 31001 and up 32001 and up 30001 and up](#)

konsep acara family gathering perusahaan

[kawasaki atv service s free](#)

[komunikasi bisnis djoko purwanto doc slibforme](#)

john mcleod beginning postcolonialism pdf

kreps a course in microeconomic theory solutions

[la obsesion del millonario mi escondite favorito mis libros](#)

kaeslin top down digital vlsi design pdf

komatsu d375a 2 dozer bulldozer service repair workshop manual sn 16001 and upcase 380ck loader landscaper parts catalog manual

kieso intermediate accounting chapter 7 solutions

juran on leadership for quality

keindahan akhlak nabi muhammad saw arusghie

[kiya hope of the pharaoh trilogy 1 katie hamstead](#)

21 Distance Relay T :

mr hicks feiert weihnachten overdrive - Aug 12 2022

web you are in page mode mr hicks feiert weihnachten kate roseland calculating pages loading

mr hicks feiert weihnachten thalia - Aug 24 2023

web mortimer hicks 72 und seit jahren verwitwet legt wert auf ruhe ordnung und sparsamkeit doch kurz vor weihnachten gerät seine perfekt organisierte welt aus den fugen seine nachbarin schiebt ihm ihren kleinen

mr hicks feiert weihnachten ebook by kate roseland rakuten - Jan 17 2023

web read mr hicks feiert weihnachten by kate roseland available from rakuten kobo mortimer hicks 72 und seit jahren verwitwet legt wert auf ruhe ordnung und sparsamkeit doch kurz vor weihnachten ger

mr hicks feiert weihnachten kindle ausgabe amazon de - Jun 22 2023

web mr hicks feiert weihnachten kindle ausgabe mortimer hicks 72 und seit jahren verwitwet legt wert auf ruhe ordnung und sparsamkeit doch kurz vor weihnachten gerät seine perfekt organisierte welt aus den fugen seine nachbarin schiebt ihm ihren kleinen sohn in die tür mit der bitte auf ihn aufzupassen

mr hicks feiert weihnachten german edition kindle edition - Mar 07 2022

web mr hicks feiert weihnachten german edition ebook roseland kate amazon com au kindle store

mr hicks feiert weihnachten roman amazon de - Sep 25 2023

web mag mr hicks doch ein ebenezer scrooge sein so hat man ihn doch gleich ins herz geschlossen harte schale und ganz weicher kern zum inhalt mortimer hicks ist 70 jahre und verwitwet er legt großen wert auf einen geregelten tagesablauf ruhe

mr hicks feiert weihnachten german edition kindle edition - May 09 2022

web oct 15 2019 buy mr hicks feiert weihnachten german edition read kindle store reviews amazon com

mr hicks feiert weihnachten orell füssli - Dec 04 2021

web mit mr hicks feiert weihnachten habe ich die vorweihnachtszeit aber wirklich erlebt dieses büchlein ist mir sehr zu herzen gegangen das setting reflektiert london um die weihnachtszeit

mr hicks feiert weihnachten by kate roseland overdrive - Apr 20 2023

web oct 15 2019 mortimer hicks 72 und seit jahren verwitwet legt wert auf ruhe ordnung und sparsamkeit doch kurz vor weihnachten gerät seine perfekt organisierte welt aus den fugen seine nachbarin schiebt ihm ihren kleinen sohn in die tür mit der bitte auf

mr hicks feiert weihnachten by kate roseland goodreads - Mar 19 2023

web mr hicks feiert weihnachten book read 2 reviews from the world s largest community for readers

mr hicks feiert weihnachten german amazon sg books - Feb 06 2022

web hello sign in account lists returns orders cart

mr hicks feiert weihnachten german hardcover amazon ca - Jan 05 2022

web mr hicks feiert weihnachten german 9783805200516 books amazon ca skip to main content ca hello select your address books en hello sign in account lists returns orders cart all best sellers

mr hicks feiert weihnachten buch versandkostenfrei bei - Feb 18 2023

web mr hicks feiert weihnachten aus der feder von kate roseland gibt den geist der weihnacht auf wunderschöne art wieder hier lernt man bezaubernde menschen kennen die man sofort ins herz schließt ihre privaten probleme rühren zu tränen und man wünscht sich für sie daß sie ihr glück finden

mr hicks feiert weihnachten amazon co uk roseland kate - Jul 11 2022

web buy mr hicks feiert weihnachten by roseland kate isbn 9783805200516 from amazon s book store everyday low prices and free delivery on eligible orders

mr hicks feiert weihnachten german edition kindle edition - Jun 10 2022

web mr hicks feiert weihnachten german edition author mortimer hicks 72 und seit jahren verwitwet legt wert auf ruhe ordnung und sparsamkeit doch kurz vor

mr hicks feiert weihnachten amazon com au books - Apr 08 2022

web hello sign in account lists returns orders cart

mr hicks feiert weihnachten kate roseland rowohlt - Jul 23 2023

web oct 14 2019 mr hicks feiert weihnachten mortimer hicks 72 und seit jahren verwitwet legt wert auf ruhe ordnung und sparsamkeit doch kurz vor weihnachten gerät seine perfekt organisierte welt aus den fugen seine nachbarin schiebt ihm ihren kleinen sohn in die tür mit der bitte auf ihn aufzupassen

mr hicks feiert weihnachten kindle edition amazon de - Dec 16 2022

web select the department you want to search in

mr hicks feiert weihnachten by kate roseland is available in - Sep 13 2022

web mortimer hicks 72 und seit jahren verwitwet legt wert auf ruhe ordnung und sparsamkeit doch kurz vor weihnachten gerät seine perfekt organisierte welt aus den fugen seine nachbarin schiebt ihm ihren kleinen sohn in die tür mit der bitte auf

mr hicks feiert weihnachten indigo books music inc - Oct 14 2022

web buy the kobo ebook book mr hicks feiert weihnachten by kate roseland at indigo ca canada s largest bookstore free shipping and pickup in store on eligible orders

hicks feiert weihnachten by roseland kate abebooks - Nov 15 2022

web mr hicks feiert weihnachten by roseland kate and a great selection of related books art and collectibles available now at

abebooks co uk hicks feiert weihnachten by roseland kate 15 results you searched for author roseland kate title hicks feiert weihnachten edit your search

mr hicks feiert weihnachten bücher de - May 21 2023

web alle anzeigen mortimer hicks 72 und seit jahren verwitwet legt wert auf ruhe ordnung und sparsamkeit doch kurz vor weihnachten gerät seine perfekt organisierte welt aus den fugen seine nachbarin schiebt ihm ihren kleinen

bioinformatics and functional genomics 2nd edition - Nov 25 2021

web bioinformatics and functional genomics 2nd edition pevsner jonathan isbn 9780470085851 kostenloser versand für alle bücher mit versand und verkauf duch

bioinformatics and functional genomics second edition - May 12 2023

web bioinformatics and functional genomics second edition serves as an excellent single source textbook for advanced undergraduate and beginning graduate level courses in

bioinformatics and functional genomics guide books - Mar 10 2023

web abstract the bestselling introduction to bioinformatics and functional genomicsnow in an updated editionwidely received in its previous edition bioinformatics and functional

bioinformatics and functional genomics 2nd edition chegg - Aug 03 2022

web may 4 2009 coupon rent bioinformatics and functional genomics 2nd edition 9780470085851 and save up to 80 on textbook rentals and 90 on used textbooks

bioinformatics and functional genomics second edition - Mar 30 2022

web may 12 2009 bioinformatics and functional genomics second edition doi authors jonathan pevsner request full text abstract half title title copyright dedication

bioinformatics and functional genomics 3rd edition wiley - Oct 25 2021

web description the bestselling introduction to bioinformatics and genomics now in its third edition widely received in its previous editions bioinformatics and functional

bioinformatics and functional genomics google books - Jul 14 2023

web may 28 2013 bioinformatics and functional genomics second edition serves as an excellent single source textbook for advanced undergraduate and beginning graduate

bioinformatics and functional genomics wiley online books - Aug 15 2023

web apr 17 2009 bioinformatics and functional genomics wiley online books bioinformatics and functional genomics author s jonathan pevsner first

pevsner bioinformatics and functional genomics 2nd edition - Nov 06 2022

web bioinformatics and functional genomics 2nd edition welcome to the companion site for the second edition of
bioinformatics and functional genomics by jonathan

bioinformatics and functional genomics second edition z lib - Apr 30 2022

web bioinformatics and functional genomics second edition serves as an excellent single source textbook for advanced
undergraduate and beginning graduate level courses in

bioinformatics and functional genomics softcover abebooks - Sep 04 2022

web the bestselling introduction to bioinformatics and functional genomics now in an updated edition widely received in its
previous edition bioinformatics and

bioinformatics and functional genomics guide books acm - Sep 23 2021

web may 4 2009 now in a thoroughly updated and expanded second edition it continues to be the go to source for students
and professionals involved in biomedical research this

bioinformatics and functional genomics jonathan pevsner free - Oct 05 2022

web bioinformatics and functional genomics bookreader item preview edition 2nd ed external identifier urn asin 0470085851
urn oclc record 1028721198

bioinformatics and functional genomics amazon in - Feb 26 2022

web bioinformatics and functional genomics hardcover 23 october 2015 by jonathan pevsner author

bioinformatics and functional genomics 2nd edition - Jul 02 2022

web the bestselling introduction to bioinformatics and functional genomics now in an updated edition widely received in its
previous edition bioinformatics and functional

bioinformatics and functional genomics google books - Jun 01 2022

web oct 26 2015 the bestselling introduction to bioinformatics and genomics now in its third edition widely received in its
previous editions bioinformatics and functional

bioinformatics and functional genomics second edition skillsoft - Dec 07 2022

web bioinformatics and functional genomics second edition serves as an excellent single source textbook for advanced
undergraduate and beginning graduate level courses in

bioinformatics and functional genomics wiley online library - Jan 08 2023

web bioinformatics and functional genomics second edition jonathan pevsner department of neurology kennedy krieger
institute and department of neuroscience

bioinformatics and functional genomics 2nd edition - Feb 09 2023

web may 22 2009 bioinformatics and functional genomics second edition serves as an excellent single source textbook for

advanced undergraduate and beginning graduate

[bioinformatics and functional genomics second edition](#) - Jun 13 2023

web jan 1 2003 bioinformatics and functional genomics second edition serves as an excellent single source textbook for advanced undergraduate and beginning graduate

bioinformatics and functional genomics wiley - Dec 27 2021

web wiley is proud to announce the publication of the first ever broad based textbook introduction to bioinformatics and functional genomics by a trained biologist

[bioinformatics and functional genomics 2nd edition](#) - Apr 11 2023

web apr 17 2009 bioinformatics and functional genomics 2nd edition bioinformatics computational biology life sciences subjects wiley anguilla antigua and barbuda

[bioinformatics and functional genomics wiley online library](#) - Jan 28 2022

web apr 17 2009 summary this chapter contains sections titled introduction to functional eight model organisms for functional genomics functional genomics using

download opera mini for mobile phones opera - Jul 18 2023

web opera mini is one of the world s most popular web browsers that works on almost any phone save up to 90 of your data for free visit m opera com on your phone to download

nokia browser java app download for free on phoneky - Jul 06 2022

web nokia browser java app with nokia browser you can go to all your favorite web sites search watch videos and more nokia browser is designed to provide the best browsing experience for your nokia series 40 phone so give it a try nokia browser formerly known as ovi browser brings rich web browsing to your phone that s fast and easy

nokia one browser free download suggestions softadvice informer - Mar 02 2022

web users interested in nokia one browser generally download nokia software updater 4 3 free compatible with most nokia mobile phones it scans your device s software then downloads and installs required updates

nokia mobile browser simulator download nokia mobile browser - Sep 08 2022

web apr 12 2023 nokia mobile browser simulator 4 0 nmb 4 0 is a mobile internet browser sdk designed for use on a mobile device such as a mobile phone or pda nmb is the browser found on most internet enabled nokia phones it contains support for wap xhtml mp css and mms

nokia browser wikiwand - Dec 11 2022

web nokia browser nokia tarafından geliştirilen ve symbian s60 cep telefonu platformu için varsayılan web tarayıcısıdır seri 40 sisteminde kullanılan nokia xpress tarayıcısının yerini aldı 2002 deki ilk versiyonda kablosuz uygulama protokolü kablosuz

işaretleme dili ve adobe flash lite desteği yoktu s60 sürüm 2 wap ve wml

nokia phone browser overview nokia pc suite - Feb 13 2023

web nokia phone browser overview with nokia phone browser you can manage the contents of your phone s folders through windows explorer the phone browser consists of phone folders for each individual phone that has been connected to the pc phone subfolders show the applicable folders whenever a phone is connected to the pc

nokia için chrome indir mobilge - Sep 20 2023

web nokia için chrome indir sponsor google chrome bilgisayarlardan sonra telefonlarda da kullanılabilen web browser uygulamasıdır dünyada en çok indirilen web browserlar arasında yer alan chrome en güvenilir ve en hızlı yazılımlardan biridir

nokia 1 Özellikleri epey - Nov 10 2022

web ekran teknolojisi ips lcd ekran Çözünürlüğü 480x854 piksel ekran Çözünürlüğü standardı sd piksel yoğunluğu 218 ppi ekran yenileme hızı 60 hz ekran oranı aspect ratio 16 9 ekran alanı 55 8 cm² ekran Özellikleri multi touch multi touch 5 nokta dokunmatik türü kapasitif ekran

download the chrome browser for mobile google chrome - Jun 17 2023

web looking for a fast and secure mobile browser for your tablet or smartphone device download and install the google chrome mobile browser now

daha hızlı daha güvenli daha akıllı opera web browser - Apr 03 2022

web faster safer and smarter than default browsers fully featured for privacy security and so much more get the faster better opera browser for free

mobil cihazınız için opera mini yi indirin opera - Aug 19 2023

web opera mini telefonunuz için daha hızlı ve daha ucuz İnternet opera mini neredeyse her telefonda çalışan dünyanın en popüler web tarayıcısıdır 90 a kadar daha hızlı interneti ücretsiz edinin İndirmek için telefonunuzdan m opera com adresini ziyaret edin opera mini 8 for java and blackberry phones share watch on mermiden daha hızlı gezinin

nokia 8 user guide - May 04 2022

web nokia corporation is not a manufacturer importer distributor or retailer of the nokia branded products offered by hmd global oy bertel jungin aukio 9 02600 espoo finland business id 2724044 2

nokia browser wikipedi - May 16 2023

web nokia browser nokia tarafından geliştirilen ve symbian s60 cep telefonu platformu için varsayılan web tarayıcısıdır 1 tarayıcı apple in açık kaynaklı webcore ve javascriptcore çerçevelerinin bir bağlantı noktasına dayalıdır bu apple in safari web tarayıcısında kullandığı webkit oluşturma motorunu oluşturur 2

nokia browser 2 0 update available now microsoft devices blog - Oct 09 2022

web apr 23 2012 nokia browser series 40 global getting online fast and affordably is crucial for internet users everywhere now that experience is about to get even faster and easier with an update for all existing nokia browser users covering phones across the nokia asha range and series 40 devices

download the opera browser for computer phone tablet opera - Jan 12 2023

web download the opera browser for computer phone and tablet opera for mac windows linux android ios free vpn ad blocker built in messengers

nokia 1 performance test ui navigation browsing gaming youtube - Apr 15 2023

web nokia 1 performance test ui navigation browsing gaming and multitasking read more here nokiapoweruser com nokia 1 performance test ui navigation b

yandex browser ı indir - Aug 07 2022

web bilgisayarlar android ve ios tabanlı iphone ve ipad akıllı telefonlar ve tabletler için hızlı ve güvenli yandex browser yavaş internet bağlantısında yüklemeyi hızlandırır virüslere ve sanal dolandırıcılığa karşı korur ve aramayı daha kolay hale getirir Ücretsiz indirin

top 7 best browsers for windows phone wondershare - Jun 05 2022

web surfcube 3d browser 6 surfy 7 aerize explorer 1 uc browser uc browser is one of the most best browser for windows phone and one very good thing about the team behind it is that they release quite a lot of regular updates for the browser it comes with a lot of useful features such as speed dial wi fi downloading option to save to sd

opera İndir opera İnternet tarayıcısı gezinler - Feb 01 2022

web oct 10 2023 opera one tarayıcısı yapay zeka yerel reklam engelleyici ücretsiz vpn entegre mesajlaşma uygulamaları ve daha fazlasıyla birlikte gelir opera gezinme güvenliğinizi sağlar böylece içeriğe odaklanabilirsiniz

download the opera browser for computer phone tablet opera - Mar 14 2023

web find in ftp archive download the opera browser for computer phone and tablet opera for mac windows linux android ios free vpn ad blocker built in messengers