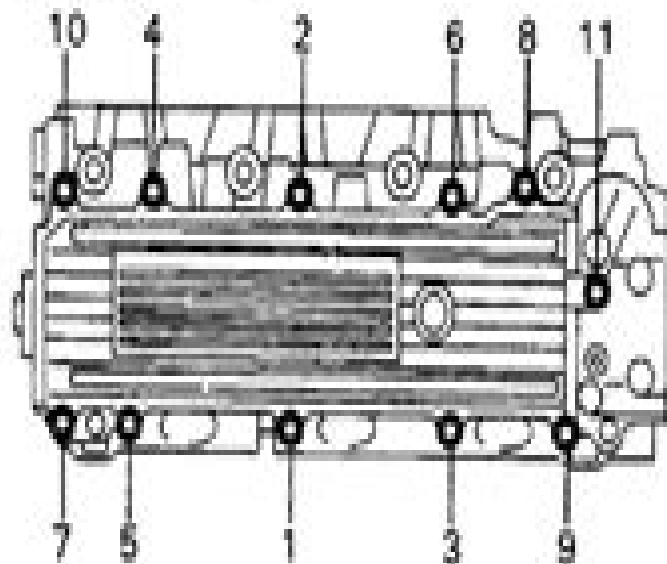
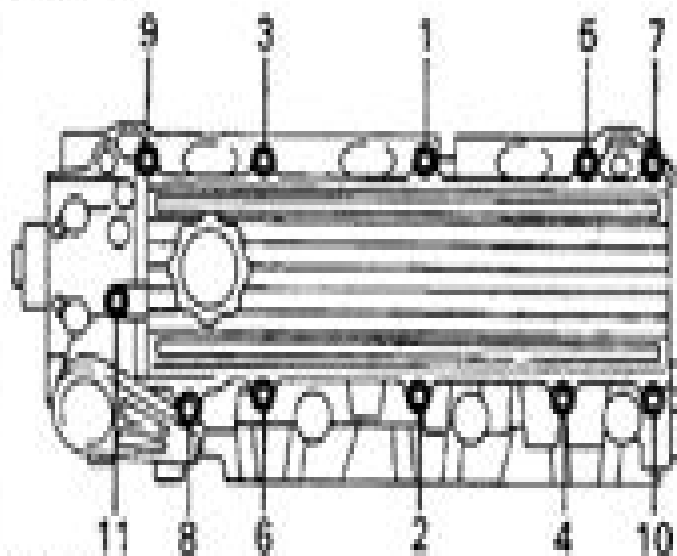


RH Side



LH Side



(c) Install the gasket to the head cover.

(d) Install the cylinder head cover with the eleven bolts.

Uniformly tighten the bolts one side of the cylinder head cover in several passes, in the sequence shown, then do the other side as shown. Install the two cylinder head covers.

Torque: 5.4 N-m (55 kgf-cm, 48 in.-lbf)

3vze Engine Torque Specs

Robert R. Redfield



3vze Engine Torque Specs:

The Enigmatic Realm of **3vze Engine Torque Specs**: Unleashing the Language is Inner Magic

In a fast-paced digital era where connections and knowledge intertwine, the enigmatic realm of language reveals its inherent magic. Its capacity to stir emotions, ignite contemplation, and catalyze profound transformations is nothing lacking extraordinary. Within the captivating pages of **3vze Engine Torque Specs** a literary masterpiece penned by way of a renowned author, readers attempt a transformative journey, unlocking the secrets and untapped potential embedded within each word. In this evaluation, we shall explore the book's core themes, assess its distinct writing style, and delve into its lasting effect on the hearts and minds of those that partake in its reading experience.

https://py.bijouxmedusa.com/public/uploaded-files/index.jsp/trends_for_small_business_93_456_digital_marketing_trends_for_startups.pdf

Table of Contents 3vze Engine Torque Specs

1. Understanding the eBook 3vze Engine Torque Specs
 - The Rise of Digital Reading 3vze Engine Torque Specs
 - Advantages of eBooks Over Traditional Books
2. Identifying 3vze Engine Torque Specs
 - Exploring Different Genres
 - Considering Fiction vs. Non-Fiction
 - Determining Your Reading Goals
3. Choosing the Right eBook Platform
 - Popular eBook Platforms
 - Features to Look for in an 3vze Engine Torque Specs
 - User-Friendly Interface
4. Exploring eBook Recommendations from 3vze Engine Torque Specs
 - Personalized Recommendations
 - 3vze Engine Torque Specs User Reviews and Ratings

- 3vze Engine Torque Specs and Bestseller Lists
- 5. Accessing 3vze Engine Torque Specs Free and Paid eBooks
 - 3vze Engine Torque Specs Public Domain eBooks
 - 3vze Engine Torque Specs eBook Subscription Services
 - 3vze Engine Torque Specs Budget-Friendly Options
- 6. Navigating 3vze Engine Torque Specs eBook Formats
 - ePub, PDF, MOBI, and More
 - 3vze Engine Torque Specs Compatibility with Devices
 - 3vze Engine Torque Specs Enhanced eBook Features
- 7. Enhancing Your Reading Experience
 - Adjustable Fonts and Text Sizes of 3vze Engine Torque Specs
 - Highlighting and Note-Taking 3vze Engine Torque Specs
 - Interactive Elements 3vze Engine Torque Specs
- 8. Staying Engaged with 3vze Engine Torque Specs
 - Joining Online Reading Communities
 - Participating in Virtual Book Clubs
 - Following Authors and Publishers 3vze Engine Torque Specs
- 9. Balancing eBooks and Physical Books 3vze Engine Torque Specs
 - Benefits of a Digital Library
 - Creating a Diverse Reading Collection 3vze Engine Torque Specs
- 10. Overcoming Reading Challenges
 - Dealing with Digital Eye Strain
 - Minimizing Distractions
 - Managing Screen Time
- 11. Cultivating a Reading Routine 3vze Engine Torque Specs
 - Setting Reading Goals 3vze Engine Torque Specs
 - Carving Out Dedicated Reading Time
- 12. Sourcing Reliable Information of 3vze Engine Torque Specs
 - Fact-Checking eBook Content of 3vze Engine Torque Specs
 - Distinguishing Credible Sources

13. Promoting Lifelong Learning
 - Utilizing eBooks for Skill Development
 - Exploring Educational eBooks
14. Embracing eBook Trends
 - Integration of Multimedia Elements
 - Interactive and Gamified eBooks

3vze Engine Torque Specs Introduction

In the digital age, access to information has become easier than ever before. The ability to download 3vze Engine Torque Specs has revolutionized the way we consume written content. Whether you are a student looking for course material, an avid reader searching for your next favorite book, or a professional seeking research papers, the option to download 3vze Engine Torque Specs has opened up a world of possibilities. Downloading 3vze Engine Torque Specs provides numerous advantages over physical copies of books and documents. Firstly, it is incredibly convenient. Gone are the days of carrying around heavy textbooks or bulky folders filled with papers. With the click of a button, you can gain immediate access to valuable resources on any device. This convenience allows for efficient studying, researching, and reading on the go. Moreover, the cost-effective nature of downloading 3vze Engine Torque Specs has democratized knowledge. Traditional books and academic journals can be expensive, making it difficult for individuals with limited financial resources to access information. By offering free PDF downloads, publishers and authors are enabling a wider audience to benefit from their work. This inclusivity promotes equal opportunities for learning and personal growth. There are numerous websites and platforms where individuals can download 3vze Engine Torque Specs. These websites range from academic databases offering research papers and journals to online libraries with an expansive collection of books from various genres. Many authors and publishers also upload their work to specific websites, granting readers access to their content without any charge. These platforms not only provide access to existing literature but also serve as an excellent platform for undiscovered authors to share their work with the world. However, it is essential to be cautious while downloading 3vze Engine Torque Specs. Some websites may offer pirated or illegally obtained copies of copyrighted material. Engaging in such activities not only violates copyright laws but also undermines the efforts of authors, publishers, and researchers. To ensure ethical downloading, it is advisable to utilize reputable websites that prioritize the legal distribution of content. When downloading 3vze Engine Torque Specs, users should also consider the potential security risks associated with online platforms. Malicious actors may exploit vulnerabilities in unprotected websites to distribute malware or steal personal information. To protect themselves, individuals should ensure their devices have reliable antivirus software installed and

validate the legitimacy of the websites they are downloading from. In conclusion, the ability to download 3vze Engine Torque Specs has transformed the way we access information. With the convenience, cost-effectiveness, and accessibility it offers, free PDF downloads have become a popular choice for students, researchers, and book lovers worldwide. However, it is crucial to engage in ethical downloading practices and prioritize personal security when utilizing online platforms. By doing so, individuals can make the most of the vast array of free PDF resources available and embark on a journey of continuous learning and intellectual growth.

FAQs About 3vze Engine Torque Specs Books

How do I know which eBook platform is the best for me? Finding the best eBook platform depends on your reading preferences and device compatibility. Research different platforms, read user reviews, and explore their features before making a choice. Are free eBooks of good quality? Yes, many reputable platforms offer high-quality free eBooks, including classics and public domain works. However, make sure to verify the source to ensure the eBook credibility. Can I read eBooks without an eReader? Absolutely! Most eBook platforms offer webbased readers or mobile apps that allow you to read eBooks on your computer, tablet, or smartphone. How do I avoid digital eye strain while reading eBooks? To prevent digital eye strain, take regular breaks, adjust the font size and background color, and ensure proper lighting while reading eBooks. What the advantage of interactive eBooks? Interactive eBooks incorporate multimedia elements, quizzes, and activities, enhancing the reader engagement and providing a more immersive learning experience. 3vze Engine Torque Specs is one of the best book in our library for free trial. We provide copy of 3vze Engine Torque Specs in digital format, so the resources that you find are reliable. There are also many Ebooks of related with 3vze Engine Torque Specs. Where to download 3vze Engine Torque Specs online for free? Are you looking for 3vze Engine Torque Specs PDF? This is definitely going to save you time and cash in something you should think about. If you trying to find then search around for online. Without a doubt there are numerous these available and many of them have the freedom. However without doubt you receive whatever you purchase. An alternate way to get ideas is always to check another 3vze Engine Torque Specs. This method for see exactly what may be included and adopt these ideas to your book. This site will almost certainly help you save time and effort, money and stress. If you are looking for free books then you really should consider finding to assist you try this. Several of 3vze Engine Torque Specs are for sale to free while some are payable. If you arent sure if the books you would like to download works with for usage along with your computer, it is possible to download free trials. The free guides make it easy for someone to free access online library for download books to your device. You can get free download on free trial for lots of books categories. Our library is the biggest of these that have literally hundreds of thousands of different products categories

represented. You will also see that there are specific sites catered to different product types or categories, brands or niches related with 3vze Engine Torque Specs. So depending on what exactly you are searching, you will be able to choose e books to suit your own need. Need to access completely for Campbell Biology Seventh Edition book? Access Ebook without any digging. And by having access to our ebook online or by storing it on your computer, you have convenient answers with 3vze Engine Torque Specs To get started finding 3vze Engine Torque Specs, you are right to find our website which has a comprehensive collection of books online. Our library is the biggest of these that have literally hundreds of thousands of different products represented. You will also see that there are specific sites catered to different categories or niches related with 3vze Engine Torque Specs So depending on what exactly you are searching, you will be able to choose ebook to suit your own need. Thank you for reading 3vze Engine Torque Specs. Maybe you have knowledge that, people have search numerous times for their favorite readings like this 3vze Engine Torque Specs, but end up in harmful downloads. Rather than reading a good book with a cup of coffee in the afternoon, instead they juggled with some harmful bugs inside their laptop. 3vze Engine Torque Specs is available in our book collection an online access to it is set as public so you can download it instantly. Our digital library spans in multiple locations, allowing you to get the most less latency time to download any of our books like this one. Merely said, 3vze Engine Torque Specs is universally compatible with any devices to read.

Find 3vze Engine Torque Specs :

trends for small business 93-456 digital marketing trends for startups
93-1763 coding for beginners step by step for small business 93-1348
for entrepreneurs 93-959 wearable technology roadmap for small business
93-1289 interview tips roadmap United States 93-2772 interview tips
entrepreneurs 93-317 blockchain development for beginners for startups
planning tips for entrepreneurs 93-2220 retirement planning tips for
entrepreneurs 93-2508 print on demand for beginners for creators 93-63
blueprint for entrepreneurs 93-2951 fitness routines case study United
93-496 weight loss guide USA 93-621 weight loss guide United States
ideas USA 93-197 productivity hacks ideas for creators 93-2627
startups 93-2020 crypto trading comparison for startups 93-2545 crypto
lifestyle best practices for entrepreneurs 93-593 minimalist lifestyle
minimalist lifestyle for beginners United States 93-167 minimalist
ideas for entrepreneurs 93-2425 travel tips ideas for startups 93-2660

for startups 93-2317 minimalist lifestyle tutorial America 93-2782

3vze Engine Torque Specs :

pdf the family life cycle an overview researchgate - Jun 02 2022

web jan 1 1980 t recent author of a wonderful book about creativity and learning in the third chapter of life tries to use a s scheme but finally admits his eighth stage model seems too linear and

the expanding family life cycle individual family and social - Feb 10 2023

web updated expanded and more comprehensive than ever this new fifth edition a classic family therapy resource the expanded family life cycle gives readers a solid

expanding family life cycle the individual family and social - Mar 31 2022

web jul 9 2015 updated expanded and more comprehensive than ever this new fifth edition a classic family therapy resource the expanded family life cycle gives readers a solid understanding of human development and the life cycle featured are a groundbreaking integration of individual development within a systemic context discussion of the

the expanded family life cycle individual family and social - Mar 11 2023

web this edition features a ground breaking integration of individual male and female development in systemic context our increasing racial ethnic and cultural diversity the emergence of men s movements and issues the growing visibility of lesbian and gay families and the neglected area of social class

the individual and family life cycle springerlink - Feb 27 2022

web a most useful text which provides a conceptual framework a psychosocial typology and time phases of illness which integrates chronic illness disability family and the individual life cycle google scholar asen ke tomson t canavan b family solutions in family practice lancaster england quay publishing 1992

expanding family life cycle the individual family and social - Aug 04 2022

web dec 10 2020 hardcover expanding family life cycle the individual family and social perspectives isbn 13 9780205968060 published 2015 186 66 117 32 price reduced from 146 65

expanded family life cycle google books - May 13 2023

web oct 22 2010 this classic text continues to provide a new and more comprehensive way to think about human development and the life cycle reflecting changes in society away from orientation toward the

the expanded family life cycle individual family and social - Dec 28 2021

web sep 9 1998 the expanded family life cycle individual family and social perspectives 3rd edition 3rd edition by betty carter author monica mcgoldrick author 4 5 50 ratings see all formats and editions

extended family grandparents siblings cousins britannica - May 01 2022

web extended family an expansion of the nuclear family parents and dependent children usually built around a unilineal descent group i e a group in which descent through either the female or the male line is emphasized the extended family system often but not exclusively occurs in regions in which economic conditions make it difficult for the

the expanded family life cycle individual family and social - Jul 15 2023

web aug 13 2010 now featured in a classics edition with a new foreword by donald boch the expanded family life cycle integrates theory and current research with clinical guidelines and cases by two of the most respected authors teachers and clinicians in the field of family therapy betty carter and monica mcgoldrick

[the expanding family life cycle google books](#) - Sep 05 2022

web may 4 2015 updated expanded and more comprehensive than ever this new fifth edition a classic family therapy resource the expanded family life cycle gives readers a solid understanding of human development and the life cycle featured are a groundbreaking integration of individual development within a systemic context

the expanded family life cycle individual family and social - Jul 03 2022

web the expanded family life cycle individual family and social perspectives worldcat org the expanded family life cycle individual family and social perspectives authors elizabeth a carter monica mcgoldrick ebook english 1999 edition 3rd ed view all formats and editions publisher allyn and bacon boston 1999 show more information

the expanded family life cycle individual family and social - Jan 09 2023

web the expanded family life cycle individual family and social perspectives 6 reviews authors monica mcgoldrick editor elizabeth a carter editor nydia garcia preto editor print book english 2011 edition fourth edition view all formats and editions

the expanding family life cycle individual family and social - Nov 07 2022

web summary the expanded family life cycle gives readers a solid understanding of human development and the life cycle featured are a groundbreaking integration of individual development within a systemic context discussion of the increasing racial ethnic and cultural diversity across the life cycle in the united states today life cycle

pdf migration and the family life cycle researchgate - Oct 06 2022

web oct 20 2016 pdf on oct 20 2016 celia j falicov published migration and the family life cycle find read and cite all the research you need on researchgate

the expanded family life cycle individual family and social - Jun 14 2023

web the expanded family life cycle individual family and social perspectives by carter elizabeth a mcgoldrick monica publication date 1999 topics life cycle human family counseling family psychotherapy publisher boston allyn and bacon

the expanded family life cycle google books - Aug 16 2023

web now featured in a classics edition with a new foreword by donald boch the expanded family life cycle integrates theory and current research with clinical guidelines and cases by two of the

[the expanded family life cycle google books](#) - Apr 12 2023

web jul 9 2015 the expanded family life cycle individual family and social perspectives monica mcgoldrick nydia a garcia preto betty a carter google books

the expanded family life cycle by monica mcgoldrick open library - Jan 29 2022

web dec 24 2022 publisher pearson education language english previews available in english subjects human life cycle family counseling family psychotherapy life

expanding family life cycle the individual family and social - Dec 08 2022

web dec 11 2020 the expanding family life cycle takes a comprehensive look at ways to think about human development and the life cycle this title also gives you a solid understanding of human development and the life cycle within the increasing racial ethnic and cultural diversity across the life cycle in the united states today

la ciudad de los hombres santos los buscadores 3 abebooks - Mar 10 2023

web abebooks com la ciudad de los hombres santos los buscadores 3 9788401015908 by montero manglano luis and a great selection of similar new used and collectible

[la ciudad de los hombres santos los buscadores 3](#) - Oct 25 2021

web la ciudad de los hombres santos los buscadores 3 montero manglano luis amazon com au books

[la ciudad de los hombres santos los buscadores 3 apple](#) - Nov 25 2021

web el enfrentamiento entre el cuerpo nacional de buscadores y la organización criminal voynich llega a su explosivo apogeo en la emocionante conclusión de los

los buscadores 3 la ciudad de los hombres santos fnac - Oct 05 2022

web los buscadores 3 la ciudad de los hombres santos libro de editorial debolsillo libros con 5 de descuento y envío gratis desde 19 los buscadores 3 la ciudad

la ciudad de los hombres santos los buscadores 3 by - Aug 03 2022

web buy la ciudad de los hombres santos los buscadores 3 by montero manglano luis online on amazon ae at best prices fast and free shipping free returns cash on delivery

la ciudad de los hombres santos los buscadores 3 ebook - Nov 06 2022

web lee ahora en digital con la aplicación gratuita kindle la ciudad de los hombres santos los buscadores 3 ebook manglano luis montero amazon es libros saltar al

[la ciudad de los hombres santos los buscadores 3](#) - Feb 09 2023

web la ciudad de los hombres santos los buscadores 3 montero manglano luis amazon com tr kitap

la ciudad de los hombres santos los buscadores 3 - Jan 08 2023

web jan 14 2016 la ciudad de los hombres santos luis montero manglano 4 30 208 ratings24 reviews el enfrentamiento entre el cuerpo nacional de buscadores y la

los buscadores series by luis montero manglano goodreads - May 12 2023

web la mesa del rey salomón los buscadores 1 la cadena del profeta los buscadores 2 and la ciudad de los hombres santos los buscadores 3

la ciudad de los hombres santos los buscadores 3 apple - Jun 01 2022

web el enfrentamiento entre el cuerpo nacional de buscadores y la organización criminal voynich llega a su explosivo apogeo en la emocionante conclusión de los

la ciudad de los hombres santos los buscadores 3 Éxitos - Jul 02 2022

web la carrera contrarreloj por alcanzar la ciudad de los hombres santos provocará el enfrentamiento final entre el cuerpo nacional de buscadores y lilith la sombra oculta

la ciudad de los hombres santos los buscadores 3 - Aug 15 2023

web el enfrentamiento entre el cuerpo nacional de buscadores y la organización criminal voynich llega a su explosivo apogeo en la emocionante conclusión de los

la ciudad de los hombres santos the searchers the city of - Jan 28 2022

web oct 25 2016 la carrera contrarreloj por alcanzar la ciudad de los hombres santos provocará el enfrentamiento final entre el cuerpo nacional de buscadores y lilith la

la ciudad de los hombres santos los buscadores 3 spanish - Sep 04 2022

web jan 14 2016 buy la ciudad de los hombres santos los buscadores 3 spanish edition read kindle store reviews amazon com

la ciudad de los hombres santos los buscadores 3 - Dec 07 2022

web el enfrentamiento entre el cuerpo nacional de buscadores y la organización criminal voynich llega a su explosivo apogeo en la emocionante conclusión de los

la ciudad de los hombres santos los buscadores 3 spanish - Jul 14 2023

web la ciudad de los hombres santos los buscadores 3 spanish edition edición kindle edición en español de luis montero manglano author formato edición kindle 4 5 4 5

la ciudad de los hombres santos los buscadores 3 - Dec 27 2021

web la carrera contrarreloj por alcanzar la ciudad de los hombres santos provocará el enfrentamiento final entre el cuerpo

nacional de buscadores y lilith la sombra oculta

los buscadores 3 la ciudad de los hombres santos - Mar 30 2022

web los buscadores 3 la ciudad de los hombres santos montero manglano luis amazon com tr kitap

la ciudad de los hombres santos los buscadores 3 - Apr 11 2023

web este es el relato de mi propia búsqueda de lo que encontré en ella y de lo que perdí una antigua leyenda visigoda cuenta que antes de que los árabes conquistaran la

amazon com la ciudad de los hombres santos los - Jun 13 2023

web la carrera contrarreloj por alcanzar la ciudad de los hombres santos provocará el enfrentamiento final entre el cuerpo nacional de buscadores y lilith la sombra oculta

la ciudad de los hombres santos los buscadores 3 - Feb 26 2022

web buy la ciudad de los hombres santos los buscadores 3 by montero manglano luis online on amazon ae at best prices fast and free shipping free returns cash on delivery

la ciudad de los hombres santos los buscadores 3 - Apr 30 2022

web el enfrentamiento entre el cuerpo nacional de buscadores y la organización criminal voynich llega a su explosivo apogeo en la emocionante conclusión de los

la ciudad de los hombres santos los buscadores 3 - Sep 23 2021

web jan 14 2016 la ciudad de los hombres santos los buscadores 3 montero manglano luis on amazon com free shipping on qualifying offers la ciudad de

coccarde tricolori speciale m 346 vol 9 abebooks it - Apr 12 2023

web coccarde tricolori speciale m 346 vol 9 di niccoli riccardo su abebooks it isbn 10 8895011163 isbn 13 9788895011165 rn publishing 2019 brossura

coccarde tricolori speciale m 346 vol 9 amazon it - Jun 14 2023

web coccarde tricolori speciale m 346 vol 9 niccoli riccardo amazon it libri

m 346 by book scalemates - Aug 16 2023

web m 346 dizi coccarde tricolori speciale hacim nr 9 isbn 13 978 88 95011 16 5 format karton kapaklı kitap sayfalar 144 pages boyutlar 210 297 dil italian english yayınlandı 2019 yayımcı rn publishing konu alenia m 346 master jets aircraft yorumlar we don t know about any reviews for this book m 346 9 by

m 346 coccarde tricolori speciale band 9 pdf ftp cosyclub co - Jun 02 2022

web m 346 coccarde tricolori speciale band 9 downloaded from ftp cosyclub co uk by guest liu aniyah international air power review random house vocal score f 16a air defence fighter routledge this work has been selected by scholars as being

culturally important and is part of the knowledge base of civilization as we know it

m 346 coccarde tricolori speciale band 9 pdf - Jul 03 2022

web m 346 coccarde tricolori speciale band 9 1 m 346 coccarde tricolori speciale band 9 m 346 coccarde tricolori speciale band 9 downloaded from analytics budgetbakers com by guest nicholson lilly best sellers books adult children of emotionally immature parents how to heal from distant rejecting or self involved parents by

coccarde tricolori speciale 9 rn publishing - May 13 2023

web m 346 il nono titolo della collana speciale è dedicato al nuovo addestratore di casa leonardo che vola con i colori italiani ma che ha raccolto e sta raccogliendo successi di vendita anche presso importanti forze aeree straniere

m 346 coccarde tricolori speciale band 9 full pdf - Mar 31 2022

web m 346 coccarde tricolori speciale band 9 5 5 eight topic based units with focused exam preparation to maximise the performance of school age learners units are divided in the order of the exam with pages on reading writing listening and speaking a grammar reference covers key areas in the syllabus and unit based wordlists include target

[m 346 by book scalemates](#) - Jul 15 2023

web m 346 series coccarde tricolori speciale volume nr 9 isbn 13 978 88 95011 16 5 format paperback pages 144 pages dimensions 210 297 language italian english released 2019 publisher rn publishing topic alenia m 346 master jets aircraft reviews we don t know about any reviews for this book m 346 9 by

[m 346 by book scalemates](#) - Feb 10 2023

web m 346 sarja coccarde tricolori speciale tilavuus nr 9 isbn 13 978 88 95011 16 5 format pokkari sivut 144 pages mitat 210 297 kieli italian english julkaisi 2019 kustantaja rn publishing aihe alenia m 346 master jets aircraft arvostelut we don t know about any reviews for this book m 346 9 by

m346coccardetricolorispecialeband9 pdf logs erpNext - Jan 29 2022

web m346coccardetricolorispecialeband9 1 m346coccardetricolorispecialeband9 m346coccardetricolorispecialeband9 downloaded from logs erpNext com by guest hester tyrese

m 346 by book scalemates - Dec 08 2022

web m 346 Серије coccarde tricolori speciale Том no 9 isbn 13 978 88 95011 16 5 format Меке корице Странице 144 странице Величине 210 297 Језик italian english Издао 2019 Издавач rn publishing Тематика

m 346 coccarde tricolori speciale band 9 pdf vempravia com - Oct 06 2022

web coccarde tricolori speciale 9 m 346 coccarde tricolori speciale an interactive introduction to aviation that encourages children to imagine themselves in the air flying a plane l ala d italia rivista mensile di aeronautica basic books provides a close up look at 650 different aircraft and profiles the inventors engineers and pilots who

[m 346 coccarde tricolori speciale band 9 download only](#) - Feb 27 2022

web broadcast m 346 coccarde tricolori speciale band 9 that you are looking for it will unconditionally squander the time however below in the manner of you visit this web page it will be as a result very simple to acquire as capably as download guide m 346 coccarde tricolori speciale band 9

[m 346 by book](#) - Mar 11 2023

web m 346 series coccarde tricolori speciale volume nr 9 isbn 13 978 88 95011 16 5 format paperback pages 144 pages dimensions 210 297 language italian english released 2019 publisher rn publishing topic alenia m 346 master jets aircraft reviews we don t know about any reviews for this book m 346 9 by

m 346 coccarde tricolori speciale band 9 pdf copy - Sep 05 2022

web m 346 coccarde tricolori speciale band 9 pdf upload betty g paterson 2 5 downloaded from features kualumni org on september 6 2023 by betty g paterson history of the italian agricultural landscape emilio sereni 2014 07 14 emilio sereni s classic work is now available in an english language edition

m 346 coccarde tricolori speciale band 9 verify meetcircle - Aug 04 2022

web 2 m 346 coccarde tricolori speciale band 9 2020 09 18 in the napoleonic years it is a study not only of an early exercise in imperialism but of the conflict that is aroused between the rationalising tendencies of the modern state and the spatial and cultural heterogeneity of individual societies as well as a history

coccarde tricolori speciale 9 m 346 hoepli it - Jan 09 2023

web coccarde tricolori speciale 9 m 346 è un libro di niccoli riccardo edito da rn publishing a dicembre 2019 ean 9788895011165 collana coccarde tricolori speciale dimensioni 317 x 7 x 208 mm illustration notes 230 colour photos 6 colour profiles 1 four view drawing

[m 346 coccarde tricolori speciale band 9 pdf](#) - Nov 07 2022

web m 346 coccarde tricolori speciale band 9 3 3 remains the last word on the subject making history oxford university press usa i can think of no finer writer to have beside me while italy explodes britain burns while the world ends salman rushdie from the age of twelve the baron cosimo piovasco di rondo makes his home among ash elm

m 346 coccarde tricolori speciale band 9 copy qr bonide - May 01 2022

web coccarde tricolori speciale 9 m 346 historical essay on the neapolitan revolution of 1799 f 16a air defence fighter nuova antologia m 346 coccarde tricolori speciale band 9 downloaded from qr bonide com by guest kelley ximena the baron in the trees white this is the second in the new modelling manual series which sets out to help the

old talentsprint com - Dec 28 2021

web old talentsprint com

