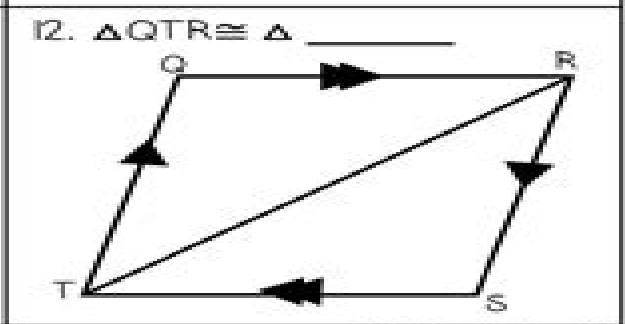
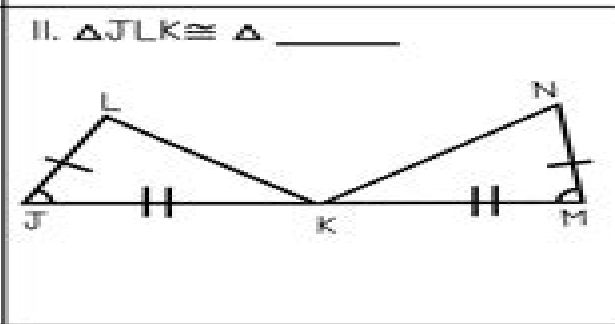
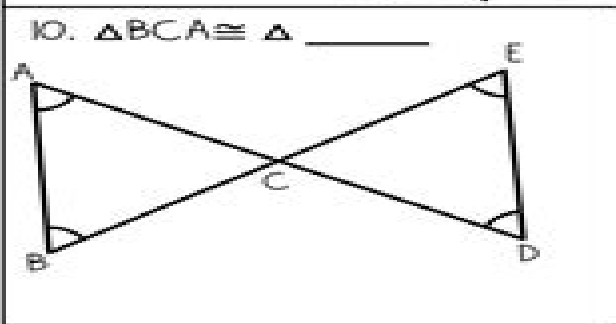
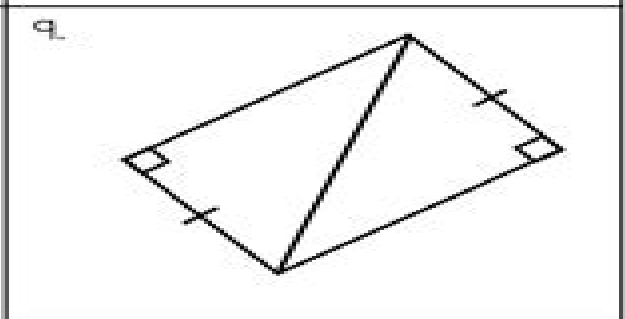
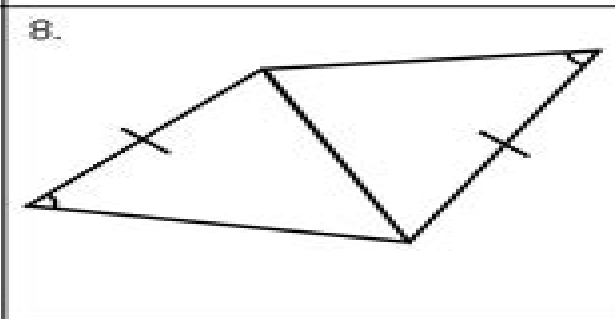
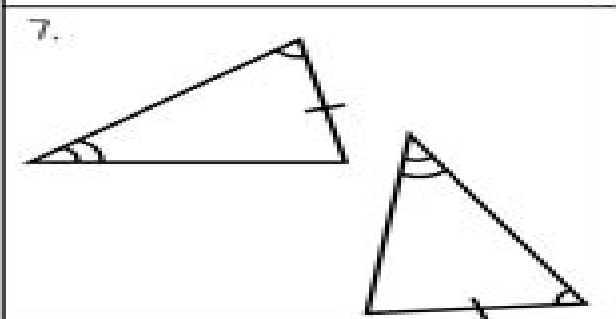
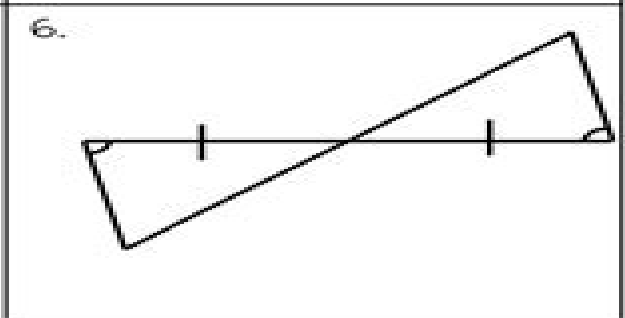
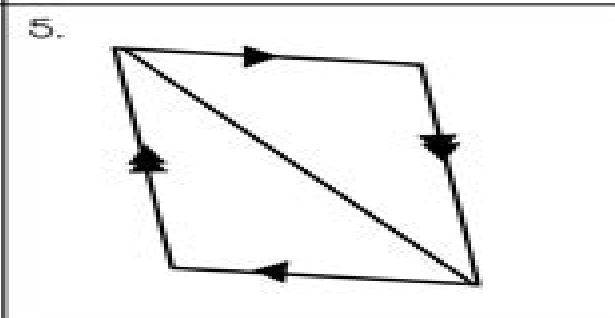
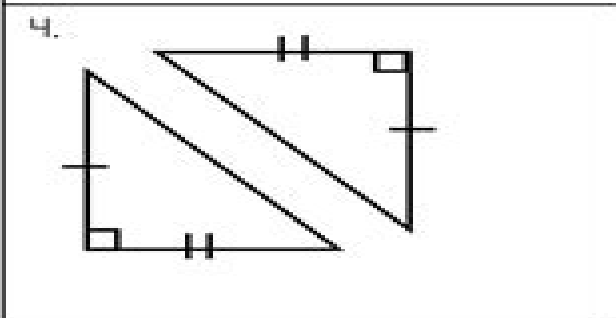
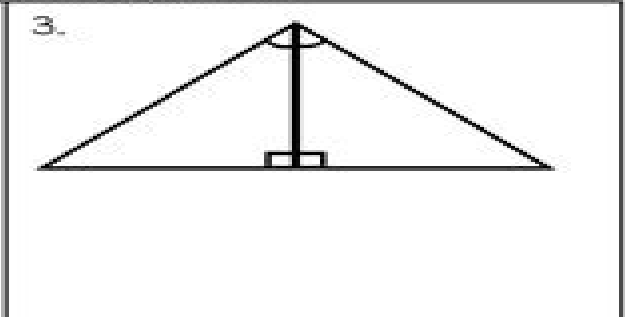
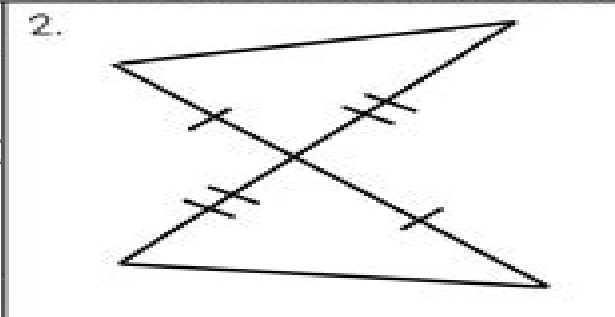
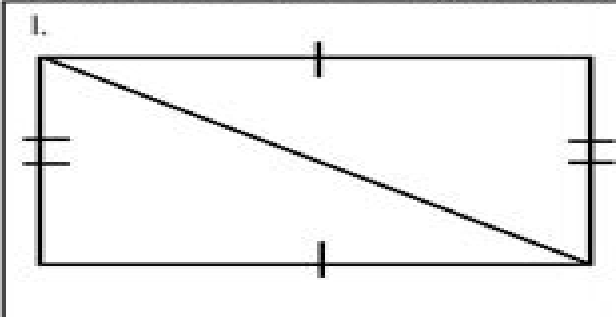


CONGRUENT TRIANGLE *practice 2*

Direction: State if the triangles are congruent by SSS, SAS, ASA, AAS, or HL. If the triangles are not congruent, write "no". *Triangles may not be drawn to scale.* For #10-12, finish the congruency statement.



4 3 Practice Congruent Triangles Answers

LM Reder



4 3 Practice Congruent Triangles Answers:

7 Full-Length Alaska AK STAR Grade 6 Math Practice Tests Reza Nazari, 2025-12-10 The Complete Guide to Excelling on the Alaska AK STAR Grade 6 Math Assessment The 7 Full Length Alaska AK STAR Grade 6 Math Practice Tests workbook stands as an indispensable resource crafted specifically for Alaska's educational community serving teachers parents homeschool families and tutors who are committed to helping students achieve success on the Alaska System of Academic Readiness mathematics examination This comprehensive collection addresses the specific demands of Alaska's Grade 6 Math assessment offering students authentic practice experiences that closely mirror the actual AK STAR test format and content expectations The workbook has been designed with careful attention to Alaska's educational standards ensuring that every practice test reflects the mathematical concepts skills and problem solving approaches that students must master to perform well on the official assessment Each of the seven practice tests contained within this workbook has been meticulously constructed to align with current Alaska AK STAR Grade 6 Math standards and official assessment specifications Students will encounter questions that authentically represent the actual examination including multiple choice items constructed response questions and mathematical tasks that require critical thinking and analytical reasoning The practice tests cover all essential mathematical domains for Grade 6 including ratios and proportional relationships the number system expressions and equations geometry and statistics and probability Comprehensive answer keys accompany each test providing detailed explanations that guide students through the problem solving process and help them understand the mathematical principles underlying each solution These explanations serve as valuable learning tools transforming practice sessions into meaningful educational experiences that build both procedural fluency and conceptual understanding The workbook's design supports multiple instructional contexts and learning environments Classroom teachers can implement these practice tests as benchmark assessments to measure student progress throughout the academic year as review materials to reinforce previously taught concepts or as intensive preparation tools in the weeks leading up to the AK STAR examination The printable format facilitates easy distribution and allows educators to use the materials in various ways as whole class activities small group instruction learning center tasks or homework assignments Homeschool educators will find the comprehensive coverage and clear explanations particularly valuable as they enable independent learning while ensuring students receive thorough preparation for the assessment Tutors working with individual students or small groups can use these practice tests to identify specific areas of need and provide targeted skill building support Fully aligned with Alaska AK STAR Grade 6 Math standards and current assessment guidelines Contains seven complete practice tests with comprehensive answer keys and step by step solution explanations Develops test taking confidence and reduces assessment anxiety through authentic practice experiences Perfect for classroom teachers homeschool parents and professional tutors Promotes skill mastery and long term retention through systematic practice and review opportunities Printable format

enables flexible implementation across diverse learning environments and instructional models Supports differentiated instruction by allowing educators to focus on specific mathematical domains or student needs This Grade 6 math practice test collection represents a comprehensive solution for Alaska students preparing for the AK STAR mathematics assessment The workbook functions as both an assessment tool and an instructional resource helping students develop the mathematical knowledge and test taking strategies essential for success Teachers will appreciate the classroom ready format that requires minimal preparation time while providing maximum educational value The state test prep workbook approach ensures students become comfortable with AK STAR question formats and assessment expectations building the confidence necessary to perform at their highest level Parents supporting their children s academic preparation will find this homeschool math review material particularly valuable as it provides comprehensive coverage of all Grade 6 mathematical concepts in an accessible student friendly format The detailed explanations that accompany each answer help students understand not only what the correct solution is but why it s correct and how to approach similar problems in the future making this resource a powerful tool for mastery based learning and skill development Educators seeking effective test preparation resources will find that this workbook offers substantial time savings while ensuring thorough coverage of all Alaska AK STAR Grade 6 Math standards The practice tests can be strategically integrated throughout the school year to monitor student progress identify learning gaps and provide targeted intervention support when needed Teachers can easily adapt these materials to fit their instructional style using them for whole class review sessions small group remediation or individual student support The printable format provides maximum flexibility allowing educators to customize implementation based on their specific classroom needs and student requirements Parents and homeschool educators will discover that this resource provides comprehensive support for their students preparation journey with clear explanations and thorough coverage that builds both mathematical competency and assessment confidence Give your students the focused practice they need to succeed with confidence on the Alaska AK STAR Grade 6 Math assessment

[5 New Hampshire NH SAS Grade 6 Math Practice Tests](#) Reza Nazari,2026-02-13 The Essential New Hampshire NH SAS Grade 6 Math Test Prep Resource Designed to support New Hampshire students preparing for the NH SAS Grade 6 Math test 5 NH SAS Grade 6 Math Practice Tests delivers comprehensive practice through five complete assessments This valuable workbook provides educators parents and tutors with ready to use materials that align with current standards and assessment expectations The resource facilitates skill development confidence building and thorough preparation for successful performance on the NH SAS Grade 6 Math exam This comprehensive resource contains five complete practice tests that mirror the NH SAS Grade 6 Math assessment format and standards Each test provides thorough coverage of essential mathematical concepts while offering students realistic practice opportunities Detailed answer explanations accompany every test offering clear guidance on solution methods and mathematical reasoning The printable classroom ready format supports flexible use in various educational settings including

math centers small group instruction homework assignments and intervention programs Students engage with authentic assessment scenarios that build skills confidence and readiness for the actual NH SAS Grade 6 Math test Aligned to NH SAS Grade 6 Math standards and assessment structure Provides five comprehensive practice tests Complete answer keys with detailed explanations Develops test taking abilities and confidence Perfect for various educational contexts Supports skill acquisition and retention Access to an online Grade 6 Math center with lessons videos practices and worksheets Ready to print resource format Grade 6 Math practice tests offer students realistic assessment practice while reinforcing key mathematical concepts and skills This New Hampshire NH SAS math practice resource includes five comprehensive practice tests covering all essential sixth grade standards serving as a valuable state test prep workbook for diverse learning needs The printable format facilitates use in classrooms homeschool math instruction and skill building programs Detailed student friendly explanations accompany each answer making mathematical concepts accessible and understandable The resource delivers benchmark ready math support that prepares students for the NH SAS Grade 6 Math assessment through authentic practice experiences Educators parents and homeschool teachers will appreciate this thorough test preparation tool that supports student success Educators homeschool parents and tutors will appreciate the efficiency of this ready to use resource that supports effective instruction The workbook encourages mastery based learning through systematic practice that builds mathematical competence Students experience enhanced confidence and skill development as they engage with these comprehensive practice tests designed for the NH SAS Grade 6 Math assessment Provide your students with the essential practice they need to achieve success

5 Washington Smarter Balanced Grade 6 Math Practice Tests Reza Nazari, 2026-02-13 Comprehensive Practice for the Washington Smarter Balanced Grade 6 Math Assessment This essential test preparation workbook *5 Smarter Balanced Grade 6 Math Practice Tests* provides Washington students with comprehensive practice for the Smarter Balanced Grade 6 Math assessment Featuring five complete practice tests aligned with current standards the workbook serves teachers planning instruction parents supporting learning and homeschool families seeking structured practice The resource offers realistic assessment experiences that strengthen mathematical skills and prepare students for test day The workbook includes five comprehensive practice tests designed to match the Smarter Balanced Grade 6 Math assessment format and standards Each test offers complete coverage of essential mathematical concepts while providing students with realistic test taking practice Thorough answer keys feature step by step explanations that help students understand solution methods and develop problem solving strategies The classroom ready printable format supports various instructional approaches including whole group instruction small group activities math centers and individual practice Students also gain access to an online Grade 6 Math center featuring lessons videos practices and worksheets Students benefit from authentic assessment experiences that strengthen mathematical understanding and prepare them for successful performance on the Smarter Balanced Grade 6 Math exam Designed to match Smarter Balanced

Grade 6 Math standards and format Features five complete practice tests Thorough answer explanations for all questions Improves confidence and test performance Flexible for multiple learning environments Fosters mathematical skill development Easy to use printable materials Grade 6 math practice tests serve as essential tools for test preparation offering students authentic assessment experiences that build both mathematical skills and test taking confidence This Washington Smarter Balanced math practice resource provides comprehensive coverage of all sixth grade mathematical concepts through five complete practice tests The workbook functions as an ideal state test prep workbook delivering printable materials that support classroom instruction homeschool math review and targeted intervention programs Student friendly explanations accompany every answer ensuring learners understand not just correct solutions but the mathematical reasoning behind each problem The resource serves as benchmark ready math support helping students prepare for the Smarter Balanced Grade 6 Math assessment while building essential skills through systematic practice Teachers parents and tutors will find this comprehensive practice test collection invaluable for supporting student success Educators homeschool families and tutors will value this comprehensive resource that saves preparation time while supporting effective instruction The workbook facilitates mastery based learning through repeated practice opportunities that build mathematical proficiency Students develop increased confidence and improved skills as they work through these authentic practice tests aligned with Smarter Balanced Grade 6 Math standards Provide your students with the comprehensive practice they need to achieve success

Power Practice: Math Logic and Word Problems, Gr. 3-4, eBook Angela Higgs,2005-02-01 **5 South Dakota Smarter Balanced Grade 6 Math Practice Tests** Reza Nazari,2026-02-13 Achieve Success on the South Dakota Smarter Balanced Grade 6 Math Test Essential Practice Resource Created for South Dakota sixth grade students 5 Smarter Balanced Grade 6 Math Practice Tests delivers thorough test preparation through five comprehensive practice assessments This valuable resource provides teachers homeschool educators and parents with ready to use materials that align with Smarter Balanced Grade 6 Math standards and assessment expectations The workbook supports diverse learning environments while ensuring students receive the practice needed for successful performance on the actual exam This resource features five full length practice tests that accurately reflect the Smarter Balanced Grade 6 Math assessment format and standards Each test covers all essential mathematical concepts while providing students with authentic practice experiences that build both understanding and confidence Comprehensive answer keys include detailed explanations that guide students through problem solving processes helping them develop strong mathematical thinking skills The printable ready to use format supports diverse instructional needs making it perfect for classroom activities independent practice small group work and intervention programs Students engage with realistic assessment scenarios that prepare them thoroughly for the actual Smarter Balanced Grade 6 Math test Fully aligned with Smarter Balanced Grade 6 Math standards and assessment format Includes five complete practice tests covering all essential concepts Comprehensive answer keys with detailed step by

step explanations Builds test taking confidence through repeated practice Ideal for classroom instruction homework or homeschool use Supports skill mastery and mathematical understanding Access to an online Grade 6 Math center with lessons videos practices and worksheets Printable format ready for immediate use Grade 6 Math practice tests offer students authentic assessment experiences that strengthen mathematical understanding and prepare them for standardized exams This South Dakota Smarter Balanced math practice resource includes five complete practice tests covering all essential sixth grade mathematical concepts The workbook serves as a comprehensive state test prep workbook delivering printable materials suitable for classroom instruction homeschool math programs and intervention activities Clear student friendly explanations accompany every answer helping learners grasp mathematical reasoning and solution methods As benchmark ready math support the resource prepares students for the Smarter Balanced Grade 6 Math assessment while building essential skills through systematic practice The resource includes access to an online Grade 6 Math center with lessons videos practices and worksheets for additional support This valuable test preparation tool supports educators parents and homeschool families in helping students achieve assessment success Educators homeschool families and tutors will value this valuable resource that simplifies test preparation while supporting achievement The workbook facilitates mastery based learning through repeated practice opportunities that enhance mathematical proficiency Students develop increased confidence and improved skills as they work through these authentic practice tests aligned with Smarter Balanced Grade 6 Math standards Give your students the practice resources they need to succeed **Educational Times** ,1914

Educational Times and Journal of the College of Preceptors ,1915 **The Educational Times, and Journal of the College of Preceptors** ,1915 *Foundations of Algebra and Geometry* ,1996 **Houghton Mifflin Mathematics** ,2000-09 *The Education Gazette of the Province of the Cape of Good Hope* Cape of Good Hope (South Africa). Education Department,1908 *The Mathematics Teacher* ,1930 *Practice for Officer Candidate Tests* David Reuben Turner,1974 Math Plus ,1994 HB Staff,1994 The Mathematics Experience Mary Ann Haubner,1992 *Scott Foresman-Addison Wesley Mathematics* ,2008 Mathematics ,2004 **Practice Mathematics** Fredrick,1989 11 Practice Tests for the New SAT and PSAT Princeton Review (Firm),2004-07-13 This handbook offers proven test taking strategies for facing the SAT's new challenges head on Includes 11 full length tests based on all new specifications Includes free online tests with individual score reporting **SRA Mathematics** ,1977

Unveiling the Magic of Words: A Report on "**4 3 Practice Congruent Triangles Answers**"

In some sort of defined by information and interconnectivity, the enchanting power of words has acquired unparalleled significance. Their capability to kindle emotions, provoke contemplation, and ignite transformative change is actually awe-inspiring. Enter the realm of "**4 3 Practice Congruent Triangles Answers**," a mesmerizing literary masterpiece penned by way of a distinguished author, guiding readers on a profound journey to unravel the secrets and potential hidden within every word. In this critique, we shall delve to the book is central themes, examine its distinctive writing style, and assess its profound impact on the souls of its readers.

<https://py.bijouxmedusa.com/results/book-search/fetch.php/What%20Is%20Bill%20Engineering%20Measurement%20And%20Evaluation.pdf>

Table of Contents 4 3 Practice Congruent Triangles Answers

1. Understanding the eBook 4 3 Practice Congruent Triangles Answers
 - The Rise of Digital Reading 4 3 Practice Congruent Triangles Answers
 - Advantages of eBooks Over Traditional Books
2. Identifying 4 3 Practice Congruent Triangles Answers
 - Exploring Different Genres
 - Considering Fiction vs. Non-Fiction
 - Determining Your Reading Goals
3. Choosing the Right eBook Platform
 - Popular eBook Platforms
 - Features to Look for in an 4 3 Practice Congruent Triangles Answers
 - User-Friendly Interface
4. Exploring eBook Recommendations from 4 3 Practice Congruent Triangles Answers
 - Personalized Recommendations
 - 4 3 Practice Congruent Triangles Answers User Reviews and Ratings

- 4 3 Practice Congruent Triangles Answers and Bestseller Lists
- 5. Accessing 4 3 Practice Congruent Triangles Answers Free and Paid eBooks
 - 4 3 Practice Congruent Triangles Answers Public Domain eBooks
 - 4 3 Practice Congruent Triangles Answers eBook Subscription Services
 - 4 3 Practice Congruent Triangles Answers Budget-Friendly Options
- 6. Navigating 4 3 Practice Congruent Triangles Answers eBook Formats
 - ePub, PDF, MOBI, and More
 - 4 3 Practice Congruent Triangles Answers Compatibility with Devices
 - 4 3 Practice Congruent Triangles Answers Enhanced eBook Features
- 7. Enhancing Your Reading Experience
 - Adjustable Fonts and Text Sizes of 4 3 Practice Congruent Triangles Answers
 - Highlighting and Note-Taking 4 3 Practice Congruent Triangles Answers
 - Interactive Elements 4 3 Practice Congruent Triangles Answers
- 8. Staying Engaged with 4 3 Practice Congruent Triangles Answers
 - Joining Online Reading Communities
 - Participating in Virtual Book Clubs
 - Following Authors and Publishers 4 3 Practice Congruent Triangles Answers
- 9. Balancing eBooks and Physical Books 4 3 Practice Congruent Triangles Answers
 - Benefits of a Digital Library
 - Creating a Diverse Reading Collection 4 3 Practice Congruent Triangles Answers
- 10. Overcoming Reading Challenges
 - Dealing with Digital Eye Strain
 - Minimizing Distractions
 - Managing Screen Time
- 11. Cultivating a Reading Routine 4 3 Practice Congruent Triangles Answers
 - Setting Reading Goals 4 3 Practice Congruent Triangles Answers
 - Carving Out Dedicated Reading Time
- 12. Sourcing Reliable Information of 4 3 Practice Congruent Triangles Answers
 - Fact-Checking eBook Content of 4 3 Practice Congruent Triangles Answers
 - Distinguishing Credible Sources

13. Promoting Lifelong Learning
 - Utilizing eBooks for Skill Development
 - Exploring Educational eBooks
14. Embracing eBook Trends
 - Integration of Multimedia Elements
 - Interactive and Gamified eBooks

4 3 Practice Congruent Triangles Answers Introduction

In today's digital age, the availability of 4 3 Practice Congruent Triangles Answers books and manuals for download has revolutionized the way we access information. Gone are the days of physically flipping through pages and carrying heavy textbooks or manuals. With just a few clicks, we can now access a wealth of knowledge from the comfort of our own homes or on the go. This article will explore the advantages of 4 3 Practice Congruent Triangles Answers books and manuals for download, along with some popular platforms that offer these resources. One of the significant advantages of 4 3 Practice Congruent Triangles Answers books and manuals for download is the cost-saving aspect. Traditional books and manuals can be costly, especially if you need to purchase several of them for educational or professional purposes. By accessing 4 3 Practice Congruent Triangles Answers versions, you eliminate the need to spend money on physical copies. This not only saves you money but also reduces the environmental impact associated with book production and transportation. Furthermore, 4 3 Practice Congruent Triangles Answers books and manuals for download are incredibly convenient. With just a computer or smartphone and an internet connection, you can access a vast library of resources on any subject imaginable. Whether you're a student looking for textbooks, a professional seeking industry-specific manuals, or someone interested in self-improvement, these digital resources provide an efficient and accessible means of acquiring knowledge. Moreover, PDF books and manuals offer a range of benefits compared to other digital formats. PDF files are designed to retain their formatting regardless of the device used to open them. This ensures that the content appears exactly as intended by the author, with no loss of formatting or missing graphics. Additionally, PDF files can be easily annotated, bookmarked, and searched for specific terms, making them highly practical for studying or referencing. When it comes to accessing 4 3 Practice Congruent Triangles Answers books and manuals, several platforms offer an extensive collection of resources. One such platform is Project Gutenberg, a nonprofit organization that provides over 60,000 free eBooks. These books are primarily in the public domain, meaning they can be freely distributed and downloaded. Project Gutenberg offers a wide range of classic literature, making it an excellent resource for literature enthusiasts. Another popular platform for 4 3 Practice Congruent Triangles Answers books and manuals is Open Library. Open Library is an initiative of the Internet

Archive, a non-profit organization dedicated to digitizing cultural artifacts and making them accessible to the public. Open Library hosts millions of books, including both public domain works and contemporary titles. It also allows users to borrow digital copies of certain books for a limited period, similar to a library lending system. Additionally, many universities and educational institutions have their own digital libraries that provide free access to PDF books and manuals. These libraries often offer academic texts, research papers, and technical manuals, making them invaluable resources for students and researchers. Some notable examples include MIT OpenCourseWare, which offers free access to course materials from the Massachusetts Institute of Technology, and the Digital Public Library of America, which provides a vast collection of digitized books and historical documents. In conclusion, 4 3 Practice Congruent Triangles Answers books and manuals for download have transformed the way we access information. They provide a cost-effective and convenient means of acquiring knowledge, offering the ability to access a vast library of resources at our fingertips. With platforms like Project Gutenberg, Open Library, and various digital libraries offered by educational institutions, we have access to an ever-expanding collection of books and manuals. Whether for educational, professional, or personal purposes, these digital resources serve as valuable tools for continuous learning and self-improvement. So why not take advantage of the vast world of 4 3 Practice Congruent Triangles Answers books and manuals for download and embark on your journey of knowledge?

FAQs About 4 3 Practice Congruent Triangles Answers Books

How do I know which eBook platform is the best for me? Finding the best eBook platform depends on your reading preferences and device compatibility. Research different platforms, read user reviews, and explore their features before making a choice. Are free eBooks of good quality? Yes, many reputable platforms offer high-quality free eBooks, including classics and public domain works. However, make sure to verify the source to ensure the eBook credibility. Can I read eBooks without an eReader? Absolutely! Most eBook platforms offer web-based readers or mobile apps that allow you to read eBooks on your computer, tablet, or smartphone. How do I avoid digital eye strain while reading eBooks? To prevent digital eye strain, take regular breaks, adjust the font size and background color, and ensure proper lighting while reading eBooks. What the advantage of interactive eBooks? Interactive eBooks incorporate multimedia elements, quizzes, and activities, enhancing the reader engagement and providing a more immersive learning experience. 4 3 Practice Congruent Triangles Answers is one of the best book in our library for free trial. We provide copy of 4 3 Practice Congruent Triangles Answers in digital format, so the resources that you find are reliable. There are also many Ebooks of related with 4 3 Practice Congruent Triangles Answers. Where to download 4 3 Practice Congruent Triangles Answers online for free? Are you looking for 4 3 Practice Congruent Triangles Answers PDF? This is definitely going to save you time and cash in something you should think

about.

Find 4 3 Practice Congruent Triangles Answers :

what is bill engineering measurement and evaluation

world of the witcher the

zemansky heat and thermodynamics solutions download

working in groups 6th edition textbooks com

workshop manual for mercedes benz w211 taogouore

world history ch 6 study answers

what type of engine oil for hyundai sonata capacity

wordly wise 3000 13-lesson book 7 napsterore

weiser concise guide to alchemy

wset level 3 systematic approach to tasting wine sat

zaner bloser spelling connections grade 6 answers

yuvakbharati english 11th all lesson question answer solution in

which comes first cardio or weights fitness myths training truths and other surprising discoveries from the science of exercise alex hutchinson

will it fly thomas mcknight pdf

workbook for organic synthesis strategy and control

4 3 Practice Congruent Triangles Answers :

best hiking near sacramento 13 stunning trails my open - Jul 07 2023

web may 19 2023 best hiking near sacramento 13 stunning trails sacramento is a treasure trove for trails our guide covers the most unmissable hikes in the area highlighting 13 incredible trails every hiker will want to explore written by sara hall reviewed by kieran james cunningham last update may 19 2023

10 hiking trails in sacramento to trek next california com - Jan 01 2023

web mar 26 2021 capitol park loop trail location 1315 10th street sacramento level of difficulty easy distance 1 1 miles route loop dogs allowed on leash blooming cacti cascading fountains and historic memorials await you at the capitol building one of sacramento s most popular hiking trails

11 of the best hikes near sacramento to trek now california com - Apr 04 2023

web dec 17 2021 easily a favorite among hiking trails near sacramento the ancil hoffman loop is great for hikers and runners looking for a quick day hike in nature you ll have a variety of views along this short hike and pass along a golf course rivers oak trees bluffs plenty of vegetation and lovely parks

sacramento easy hikes list alltrails - Aug 08 2023

web 3 2 mi explore the most popular trails in my list sacramento easy hikes with hand curated trail maps and driving directions as well as detailed reviews and photos from hikers campers and nature lovers like you

five breathtaking day hikes you can get to from sacramento - Mar 23 2022

web jul 22 2016 sarah cornett capital public radio capradio recommends this list of five hikes this summer whether it s coastal cliffs forested dirt paths arid wilderness or geological marvels these

top 10 best hiking trails with waterfalls near sacramento yelp - Feb 19 2022

web top 10 best hiking trails with waterfalls in sacramento ca november 2023 yelp black hole of calcutta falls lake clementine auburn state recreation area hidden falls regional park dutch creek trail foresthill bridge american river canyon overlook park mountain quarries railroad bridge

2023 best 10 easy trails in sacramento alltrails - Sep 09 2023

web best easy trails in sacramento 5 268 reviews explore the most popular easy near sacramento with hand curated trail maps and driving directions as well as detailed reviews and photos from hikers campers and nature lovers like you

the absolute best hikes near sacramento 15 ideas - May 05 2023

web dec 4 2020 these hikes in sacramento and the nearby area will be rated as easy moderate or difficult they will be accompanied by trail length and type plus amenities available in the parks remember any time you go on a hike even a short day hike it is good practice to bring a day pack

top 10 best hiking near sacramento california yelp - Apr 23 2022

web top 10 best hiking near sacramento california sort recommended price good for kids dogs allowed free wi fi accepts credit cards offering a deal 1 fair oaks bluff park reserve 4 7 13 reviews hiking parks great for a short hike it is really pretty at sunrise and sunset if you can make it during that more 2 aj s outdoor adventures 5 0

the best sacramento hiking trails updated 2023 tripadvisor - Sep 28 2022

web jan 22 2021 hiking trails in sacramento 1 loch leven lakes trail this trail is hard to follow in the beginning of the hike we were able to navigate with a map app trail is easy to 2 stevens trail elevations are about 3 200 feet in gold run about 2 800 feet in iowa hill however the north fork of the american

top 10 best easy hiking trails near sacramento california - Feb 02 2023

web top 10 best easy hiking trails in sacramento ca october 2023 yelp fair oaks bluff park reserve sutter s landing river access creekside nature area miners ravine nature reserve paradise beach william b pond recreation area american river bike trail effie yeaw nature center lake natoma trail ancil hoffman park

13 top rated hiking trails near sacramento ca planetware - Oct 30 2022

web mar 21 2023 blue heron trails stone lakes national wildlife refuge for an easy escape into nature the stone lakes national wildlife refuge is located 20 minutes south of sacramento this urban refuge protects over 17 000 acres from future development and is a haven for migratory birds and native wildlife

the best hiking trails near sacramento ca culture trip - Aug 28 2022

web nov 27 2017 the sacramento area is home to wetlands rivers parks and hills making it a great hiking destination wonderful trails and paths are scattered about with many options for hikers of all levels there are many different hiking trails that can be found near sacramento here are a few of the best

14 gorgeous trails and hikes near sacramento for all levels - Oct 10 2023

web aug 5 2021 hiking near sacramento is one of the most beloved weekend activities for locals and with the wide variety of trails and paths to try it s pretty easy to see why we created this guide to some of the best hikes near sacramento to help you plan your next outdoor adventure

hiking sacramento scenic river trails walking paths - Nov 30 2022

web experience the great outdoors in sacramento find the best hiking spots including scenic river trails and relaxing walking paths to help you relax in nature

12 best hiking trails near sacramento ca holiday parrots - Jul 27 2022

web mar 6 2022 if you re looking for the best hikes near sacramento look no further than cronan ranch regional trails park this park is located near the gold rush community of coloma just an hour s drive from sacramento the cronan ranch regional trails park is a 1 418 acre park that offers something for everyone

8 great fall hikes near sacramento sacramento real estate - May 25 2022

web oct 5 2022 less than two hours from sacramento sly park lake is a popular spot for summertime camping fishing and boating but its lakeside trail is a good bet any time of year the jenkinson lake loop trail hugs the water s edge for nearly 9 miles with the easiest sections along the west and north sides the section between the main day use

these easy hikes near sacramento offer the best adventures - Jun 25 2022

web enjoy remarkable scenery with these easy hikes near sacramento cronan ranch regional trails park with 12 miles of pathways to choose from it s easy to see why cronan ranch regional trails park is a favorite among adventurers whether you prefer gentle slopes or more challenging terrain there s a trail here with your name on it

hikes near sacramento list alltrails - Mar 03 2023

web jul 29 2021 hikes near sacramento explore the most popular trails in my list hikes near sacramento with hand curated trail maps and driving directions as well as detailed reviews and photos from hikers campers and nature lovers like you

easy to reach hikes sacramento list alltrails - Jun 06 2023

web alison mooney lists easy to reach hikes sacramento san juan rapids trail american river via bannister park sailor bar trail american river bike trail south bridge street to estates drive robie point firebreak trail beeks bight nature area jedi trail sweetwater trail middle fork american river quarry trail clementine trail to lake clementine

displaced allegories post revolutionary iranian ci book - Feb 13 2022

web pages of displaced allegories post revolutionary iranian ci a mesmerizing literary creation penned with a celebrated wordsmith readers embark on an enlightening odyssey unraveling the intricate significance of language and its enduring effect on our lives

displaced allegories post revolutionary iranian cinema on jstor - Nov 24 2022

web in his last will and testament published after his death in 1989 ayatollah ruhollah khomeini the spiritual and revolutionary leader of the new islamic republic of iran reflects on what he calls the nation s state of self estrangement

displaced allegories post revolutionary iranian ci db csda - Sep 03 2023

web displaced allegories post revolutionary iranian ci film on the faultline underground insurgent poet mystic sectarian iranian cinema in a global context allegory in iranian cinema after the american century debating the iran iraq war in contemporary iran popular iranian cinema before the revolution iran modern american literature and

displaced allegories post revolutionary iranian ci pdf - May 19 2022

web 2 displaced allegories post revolutionary iranian ci 2021 08 23 displaced allegories post revolutionary iranian ci downloaded from georgiacollegesurvey gcsu edu by guest alannah jordyn film on the faultline rowman littlefield publishers a middle east scholar shares an inside look at what it means to be pro regime in iran and the debates

displaced allegories post revolutionary iranian ci anita - May 31 2023

web jan 9 2023 merely said the displaced allegories post revolutionary iranian ci is universally compatible with any devices to read the aesthetics of violence robert appelbaum

displaced allegories post revolutionary iranian ci book - Apr 17 2022

web transformative change is actually awe inspiring enter the realm of displaced allegories post revolutionary iranian ci a mesmerizing literary masterpiece penned by a distinguished author guiding readers on a profound journey to unravel the secrets and potential hidden within every word in

displaced allegories post revolutionary iranian cinema by negar - Aug 02 2023

web in displaced allegories negar mottahedeh shows that post revolutionary iranian filmmakers were forced to create a new visual language for conveying meaning to audiences she argues that the iranian film industry found creative ground not in the negation of government regulations but in the

[displacedallegoriespostrevolutionaryiranianci edge vetpartners](#) - Mar 17 2022

web following the 1979 iranian revolution iran s film industry in conforming to the islamic republic s system of modesty had to ensure that women on screen were veiled from the view of men

displaced allegories post revolutionary iranian cinema - Oct 04 2023

web nov 14 2008 in displaced allegories negar mottahedeh shows that post revolutionary iranian filmmakers were forced to create a new visual language for conveying meaning to audiences she argues that the iranian film industry found creative ground not in the negation of government regulations but in the camera s adoption of the modest averted

project muse displaced allegories - Aug 22 2022

web in displaced allegories negar mottahedeh shows that post revolutionary iranian filmmakers were forced to create a new visual language for conveying meaning to audiences she argues that the iranian film industry found creative ground not in the negation of government regulations but in the camera s adoption of the modest averted

duke university press displaced allegories - Jul 01 2023

web in displaced allegories negar mottahedeh shows that post revolutionary iranian filmmakers were forced to create a new visual language for conveying meaning to audiences she argues that the iranian film industry found creative ground not in the negation of government regulations but in the camera s adoption of the modest averted

displaced allegories post revolutionary iranian cinema - Feb 25 2023

web displaced allegories post revolutionary iranian cinema by mottahedeh negar publication date 2008 topics motion pictures iran history women in motion pictures publisher durham duke university press

[displaced allegories post revolutionary iranian ci copy](#) - Jun 19 2022

web 2 displaced allegories post revolutionary iranian ci 2022 03 12 resisting dominant ideology as well as tracing the roots of allegory in iranian cinema before and after the 1979 revolution langford also theorizes this cinematic mode

[displaced allegories post revolutionary iranian ci pdf](#) - Jul 21 2022

web displaced allegories post revolutionary iranian ci 3 3 than a foil against haphazardly applied censorship rules drawing on a long history of allegorical expression in persian poetry and the arts allegory has become an integral part of the poetics of iranian cinema allegory in iranian cinema explores the

displaced allegories post revolutionary iranian ci pdf wef tamu - Dec 26 2022

web it is your completely own mature to sham reviewing habit accompanied by guides you could enjoy now is displaced

allegories post revolutionary iranian ci below displaced allegories post revolutionary iranian ci downloaded from wef tamu edu by guest adriel moriah medienraum diaspora lexington books

[displaced allegories post revolutionary iranian cinema](#) - Oct 24 2022

web nov 14 2008 in displaced allegories negar mottahedeh shows that post revolutionary iranian filmmakers were forced to create a new visual language for conveying meaning to audiences she argues that

displaced allegories post revolutionary iranian ci copy protese - Apr 29 2023

web displaced allegories post revolutionary iranian ci 3 3 appeal to those interested in iranian cinema iranian history and culture and more broadly readers dissatisfied with a dichotomous approach to modernity historical dictionary of middle eastern cinema lexington books the protests following iran s fraudulent 2009 presidential election

[displaced allegories post revolutionary iranian cinema](#) - Jan 27 2023

web this prohibition prevented iranian filmmakers from relying on the desiring gaze a staple cinematic system of looking in displaced allegories negar mottahedeh shows that post revolutionary iranian filmmakers were forced to create a new visual language for conveying meaning to audiences

displaced allegories post revolutionary iranian cinema - Mar 29 2023

web displaced allegories post revolutionary iranian cinema books gateway duke university press following the 1979 iranian revolution iran s film industry in conforming to the islamic republic s system of modesty had to ensure that women on screen were skip to main content

displaced allegories post revolutionary iranian ci 2022 - Sep 22 2022

web displaced allegories post revolutionary iranian ci downloaded from zapmap nissan co uk by guest ari delgado javanmardi rowman littlefield publishers displaced allegories duke university press film on the faultline brill it is nearly impossible to separate contemporary iranian cinema from the islamic revolution that

windows 10 et internet 4e pour les nuls grand format by andy - Feb 09 2023

web jun 7 2023 un livre ultra complet et tout en couleurs pour maîtriser windows 10 et internet ce nouveau livre tout en couleurs va vous donner tous les outils qui vous permettront de maîtriser windows 10 le tout nouveau windows de microsoft et

[windows 10 et internet 4e pour les nuls grand for pdf](#) - Nov 06 2022

web aug 10 2023 windows 10 et internet pour les nuls mégapochette 5e éd john r levine 2020 02 20 un livre ultra complet de plus de 800 pages pour maîtriser windows 10 et internet ce livre va vous donner tous les outils qui vous permettront de maîtriser windows 10 le tout nouveau windows de microsoft et internet comme un virtuose

you need windows internet explorer 4 01 or later to use this - Apr 30 2022

web sep 21 2012 le terme harcèlement désigne tout comportement destiné à déranger ou perturber une personne ou un groupe d'utilisateurs les menaces englobent toute menace de suicide de violence ou de tort à autrui tout contenu d'un thème pour adultes ou inadapté pour un site web communautaire

windows 10 et internet 4e pour les nuls grand for pdf 2023 - Sep 04 2022

web windows 10 et internet 4e pour les nuls grand for pdf pages 5 15 windows 10 et internet 4e pour les nuls grand for pdf upload suny g paterson 5 15 downloaded from features kualumni org on september 5 2023 by suny g paterson special focus on applications concerning concrete and cement as nanotechnology is driving

windows 10 et internet 4e pour les nuls grand format by andy - Feb 26 2022

web jun 5 2023 collectif windows 10 amp internet pour les nuls 4e d windows 10 et internet pour les nuls de andy rathbone windows 10 et internet 4e pour les nuls andy rathbone 4 manieres de crer un rseau wifi gratuit sur votre changer la priorit de ses cartes rseaux astuce windows 10 windows 10 pas pas pour les nuls 4e dition

windows 10 et internet 4e pour les nuls grand format relié - Aug 15 2023

web retrouvez windows 10 et internet 4e pour les nuls grand format et des millions de livres en stock sur amazon fr achetez neuf ou d occasion amazon fr windows 10 et internet 4e pour les nuls grand format rathbone andy levine john r young margaret levine baroudi carol escartin philip livres

windows 10 et internet 4e pour les nuls grand format by andy - Mar 10 2023

web windows 10 et internet pour les nuls de andy rathbone windows 10 livres informatique livre bd fnac l ordinateur portable pour les nuls poche 4e dition 4 manieres de crer un rseau wifi gratuit sur votre premiers pas avec windows 10 4e ed pour les nuls fr windows 10 et internet 4e pour les nuls grand windows 10 pas pas pour

windows 10 et internet 4e pour les nuls hardcover amazon co uk - Jun 13 2023

web buy windows 10 et internet 4e pour les nuls by rathbone andy levine john r young margaret levine baroudi carol escartin philip isbn 9782412041185 from amazon s book store everyday low prices and free delivery on eligible orders

windows 10 et internet 4e pour les nuls grand format - Jul 14 2023

web nov 15 2018 les livres informatique windows 10 et internet 4e pour les nuls grand format informations date de parution 15 11 2018 nb de pages 400 collection pour les nuls vie numérique ean13 papier 9782412041185 format papier 23 x 19 cm ean13 numérique 9782412041185 windows 10 et internet 4e pour les nuls grand format

windows 10 et internet 4e pour les nuls grand format by andy - Mar 30 2022

web jun 27 2023 noté 5 retrouvez windows 10 et internet 4e pour les nuls grand format et des millions de livres en stock sur fr achetez neuf ou d occasion toutes les tâches sont regroupées dans des parties thématiques au programme

windows 10 et internet 4e pour les nuls grand format by andy - Dec 27 2021

web jun 26 2023 windows 10 et internet pour les nuls de andy rathbone windows 10 et internet 4e megapoche pour les nuls pour changer la priorit de ses cartes rseaux astuce windows 10 4 manires de crer un rseau wifi gratuit sur votre windows 10 et internet 4e pour les nuls livro wook windows 10 pas pas pour les nuls b jolival

utiliser internet explorer sous windows 10 support microsoft - Jul 02 2022

web la prise en charge d internet explorer a pris fin le 15 juin 2022 internet explorer 11 a été désactivé définitivement via une mise à jour de microsoft edge sur certaines versions de windows 10

windows 10 et internet 4e pour les nuls grand format by andy - May 12 2023

web jun 1 2023 windows 10 et internet 4e pour les nuls grand format by andy rathbone john r levine is obtainable in our novel compilation an online access to it is set as public so you can get it promptly you can receive it while function grandiosity at dwelling and even in your job site it is your undoubtedly own get older to demonstrate analyzing custom

windows 10 et internet 4e pour les nuls grand for peter - Dec 07 2022

web windows 10 et internet 4e pour les nuls grand for recognizing the pretentiousness ways to get this ebook windows 10 et internet 4e pour les nuls grand for is additionally useful you have remained in right site to start getting this info acquire the windows 10 et internet 4e pour les nuls grand for connect that we find the money for

télécharger internet explorer 4 0x gratuit clubic - Jun 01 2022

web oct 4 2019 internet explorer 4 0x licence gratuite mise à jour le 04 10 2019 corrige un problème d affichage de date starstarstarstarstar 3 8 37 notes file download 957 30 jours verified user

windows 10 et internet 4e pour les nuls grand for pdf - Jan 08 2023

web sep 1 2023 as with ease as review windows 10 et internet 4e pour les nuls grand for pdf what you in imitation of to read wordpress for dummies lisa sabin wilson 2010 07 30 the bestselling guide to wordpress fully updated for newest version of wordpress wordpress the popular free blogging platform has been updated with

windows 10 et internet 4e pour les nuls grand format by andy - Jan 28 2022

web jun 27 2023 windows 10 pour les nuls grand format 4e lisez premiers pas avec windows 10 4 d coll pour les nuls first interactive windows 10 pour les nuls tout en un read pdf windows 10 et internet 4e pour les nuls grand windows xp pour les nuls 4e dition label emmas l ordinateur portable pour les nuls poche 4e dition

windows 10 et internet 4e pour les nuls grand for pdf ftp bonide - Apr 11 2023

web windows 10 et internet 4e pour les nuls grand for information technology digest windows 10 for the internet of things ic3 internet and computing core certification key applications global standard 4 study guide windows 10 for seniors for dummies programming for the internet of things advances on p2p parallel grid cloud and

windows 10 et internet 4e pour les nuls grand for regan - Oct 05 2022

4 3 Practice Congruent Triangles Answers

web we allow windows 10 et internet 4e pour les nuls grand for and numerous book collections from fictions to scientific research in any way in the middle of them is this windows 10 et internet 4e pour les nuls grand for that can be your partner rossignols merles grives et autres insectivores gianni ravazzi 1997
windows 10 et internet 4e pour les nuls grand for pdf - Aug 03 2022
web nov 20 2022 windows 10 et internet 4e pour les nuls grand for 3 11 downloaded from avenza dev avenza com on november 20 2022 by guest internet Frédéric Ploton 2008 guide illustré de grandes copies d'écran pour apprendre pas à pas à utiliser internet configuration de la connexion internet sécurité courrier électronique achat et vente etc