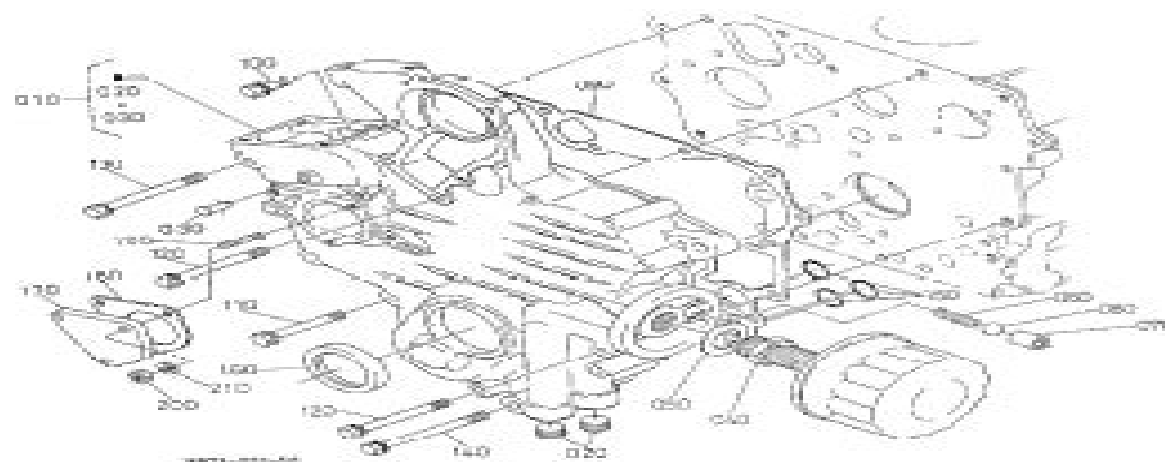


0004

**GEAR CASE
CARTER DE DISTRIBUTION
GETRIEBEGEHAUSE**


A:DT22-ERR-EC-STD-2

ILL. NO. FIG. N°	PART NO. REFERENCE BEZELL-Nr.	PART NAME	DESIGNATION	BEZEICHNUNG	STUDOLC No.		I. C.	SPARTEIL REPARATUR- BEZEICHNUNG
					A	B		
010	16889-0402-0	CRWP. CASE, GEAR	CARTER DISTR. COMP.	KMP. GETRIEBEGEHAUSE	1	-		
020	16851-9601-0	FLIE	BOUCHON	STÖPFEN	2	-		
030	15841-5628-0	PIN, START SPRING	GOURILLE DU RESSORT	STARTFEDERSTIFT	1	-		
040	15241-3229-0	JOINT, PIPE	RACCORD DE TIRAGE	VERBINDUNGSSTUECK	1	-		
050	15841-9401-0	WASHER, PLAIN	RONDELLE FREIN	SCHREIBE	1	-		
060	16851-3695-0	SPRING	RESSORT	FEDER	1	-		
070	15841-3693-0	SEAT, VALVE	SIEGE DE SOUPEPE	SITZ, VENTIL	1	-		
080	07715-03211	BALL	BIJULE	KUGEL	1	-		
090	15862-0413-2	GASKET, GEAR CASE NR	JOINT DE CARTER-015.	DICHTUNG, GETR. GET	1	-		
100	01023-60618	BELT	VIT	BOLZEN	1	-		
110	01023-60650	BELT	VIT	BOLZEN	8	-		
120	15841-0101-0	BELT	VIT	BOLZEN	5	-		
130	01023-60670	BELT	VIT	BOLZEN	1	-		
140	01023-60675	BELT	VIT	RAIFEN	1	-		
150	04814-08130	O RING	JOINT TORIQUE	O RING	3	-		
160	15877-0414-0	SEAL, OIL	BASE JOINT	ÖLDICHTUNGSRING	1	-		
170	19461-8334-0	COVER	COUVERCLE	DECKEL	1	-		
180	10461-8813-2	GASKET, H/W GEAR CASE	JOINT	DICHTUNG	1	-		
190	15271-8821-0	STD	GOIJON	STEBBOLZEN	3	-		
200	02056-50060	NUT	ECROU	MUTTER	3	-		
210	04512-60060	WASHER, SPRING	RONDELLE GRWDR	FEDERRING	3	-		

↔ Interchangeable; ↗ not interchangeable; ○ new for old; → old for new

6d22 Engine Part Catalog

Standard and Poor's Corporation

A red circular graphic with a gradient, appearing as a semi-circle on the right side of the page, partially overlapping the light blue bar.

6d22 Engine Part Catalog:

Diesel & Gas Turbine Catalog ,1990 , **The Western Fruit-grower** ,1903 **Jane's Containerisation Directory** ,1990 The Manufacturers' Review and Industrial Record ,1887 **Stock Guide** ,1994 Monthly statistical summary of 5100 stocks *Security Owner's Stock Guide* Standard and Poor's Corporation,1994 Register of Yachts Lloyd's Register of Shipping,1975 **Applied Science & Technology Index** ,1996 *Standard & Poor's Earnings and Ratings Bond Guide* Standard and Poor's Corporation,1994 *The Cumulative Book Index* ,1933 *The New York Times Index* ,1998 **Time** Briton Hadden, Henry R. Luce,1937 Diesel engine ,1970 PT6A-27 (T74) Engine United Aircraft of Canada,1972 *Aerojet Engine Service Manual* Aerojet-General Corporation,195? **Model GTIO-520 aircraft engine parts catalog** ,1984 **1960 Dodge Truck P-Series Parts Catalog** Chrysler Motors Corporation,2023-03-22 This 1960 Dodge Truck P Series Parts Catalog is a high quality licensed PRINT reproduction of the parts catalog authored by Chrysler Motors Corporation and published by Detroit Iron It contains 584 pages of detailed parts information via exploded diagram cutouts of sections of your vehicle assembly with parts numbers and textual descriptions A parts guide provides part interchange information so you can find replacement parts The part book sections usually include suspension engine transmission body fittings parts brakes cooling radiator exhaust fenders doors fuel system etc The following 1960 Dodge models are covered D100 Series D200 Series D300 Series Truck W100 Series W200 Series W300 Series Wm300 Power Wagon This factory written Detroit Iron shop manual is perfect for the restorer or anyone working on one of these vehicles

D333 Engine Parts Catalog Serial Numbers 58B1-UP. Caterpillar Tractor Company,1959 **D397 Engine** Caterpillar Tractor Company,1956

The Enigmatic Realm of **6d22 Engine Part Catalog**: Unleashing the Language is Inner Magic

In a fast-paced digital era where connections and knowledge intertwine, the enigmatic realm of language reveals its inherent magic. Its capacity to stir emotions, ignite contemplation, and catalyze profound transformations is nothing in short supply of extraordinary. Within the captivating pages of **6d22 Engine Part Catalog** a literary masterpiece penned with a renowned author, readers set about a transformative journey, unlocking the secrets and untapped potential embedded within each word. In this evaluation, we shall explore the book's core themes, assess its distinct writing style, and delve into its lasting impact on the hearts and minds of people who partake in its reading experience.

https://py.bijouxmedusa.com/files/publication/Download_PDFS/Practices_United_States_35_241_Real_Estate_Investing_Best_Practices_For.pdf

Table of Contents 6d22 Engine Part Catalog

1. Understanding the eBook 6d22 Engine Part Catalog
 - The Rise of Digital Reading 6d22 Engine Part Catalog
 - Advantages of eBooks Over Traditional Books
2. Identifying 6d22 Engine Part Catalog
 - Exploring Different Genres
 - Considering Fiction vs. Non-Fiction
 - Determining Your Reading Goals
3. Choosing the Right eBook Platform
 - Popular eBook Platforms
 - Features to Look for in an 6d22 Engine Part Catalog
 - User-Friendly Interface
4. Exploring eBook Recommendations from 6d22 Engine Part Catalog
 - Personalized Recommendations
 - 6d22 Engine Part Catalog User Reviews and Ratings

- 6d22 Engine Part Catalog and Bestseller Lists
- 5. Accessing 6d22 Engine Part Catalog Free and Paid eBooks
 - 6d22 Engine Part Catalog Public Domain eBooks
 - 6d22 Engine Part Catalog eBook Subscription Services
 - 6d22 Engine Part Catalog Budget-Friendly Options
- 6. Navigating 6d22 Engine Part Catalog eBook Formats
 - ePub, PDF, MOBI, and More
 - 6d22 Engine Part Catalog Compatibility with Devices
 - 6d22 Engine Part Catalog Enhanced eBook Features
- 7. Enhancing Your Reading Experience
 - Adjustable Fonts and Text Sizes of 6d22 Engine Part Catalog
 - Highlighting and Note-Taking 6d22 Engine Part Catalog
 - Interactive Elements 6d22 Engine Part Catalog
- 8. Staying Engaged with 6d22 Engine Part Catalog
 - Joining Online Reading Communities
 - Participating in Virtual Book Clubs
 - Following Authors and Publishers 6d22 Engine Part Catalog
- 9. Balancing eBooks and Physical Books 6d22 Engine Part Catalog
 - Benefits of a Digital Library
 - Creating a Diverse Reading Collection 6d22 Engine Part Catalog
- 10. Overcoming Reading Challenges
 - Dealing with Digital Eye Strain
 - Minimizing Distractions
 - Managing Screen Time
- 11. Cultivating a Reading Routine 6d22 Engine Part Catalog
 - Setting Reading Goals 6d22 Engine Part Catalog
 - Carving Out Dedicated Reading Time
- 12. Sourcing Reliable Information of 6d22 Engine Part Catalog
 - Fact-Checking eBook Content of 6d22 Engine Part Catalog
 - Distinguishing Credible Sources

13. Promoting Lifelong Learning
 - Utilizing eBooks for Skill Development
 - Exploring Educational eBooks
14. Embracing eBook Trends
 - Integration of Multimedia Elements
 - Interactive and Gamified eBooks

6d22 Engine Part Catalog Introduction

Free PDF Books and Manuals for Download: Unlocking Knowledge at Your Fingertips In today's fast-paced digital age, obtaining valuable knowledge has become easier than ever. Thanks to the internet, a vast array of books and manuals are now available for free download in PDF format. Whether you are a student, professional, or simply an avid reader, this treasure trove of downloadable resources offers a wealth of information, conveniently accessible anytime, anywhere. The advent of online libraries and platforms dedicated to sharing knowledge has revolutionized the way we consume information. No longer confined to physical libraries or bookstores, readers can now access an extensive collection of digital books and manuals with just a few clicks. These resources, available in PDF, Microsoft Word, and PowerPoint formats, cater to a wide range of interests, including literature, technology, science, history, and much more. One notable platform where you can explore and download free 6d22 Engine Part Catalog PDF books and manuals is the internet's largest free library. Hosted online, this catalog compiles a vast assortment of documents, making it a veritable goldmine of knowledge. With its easy-to-use website interface and customizable PDF generator, this platform offers a user-friendly experience, allowing individuals to effortlessly navigate and access the information they seek. The availability of free PDF books and manuals on this platform demonstrates its commitment to democratizing education and empowering individuals with the tools needed to succeed in their chosen fields. It allows anyone, regardless of their background or financial limitations, to expand their horizons and gain insights from experts in various disciplines. One of the most significant advantages of downloading PDF books and manuals lies in their portability. Unlike physical copies, digital books can be stored and carried on a single device, such as a tablet or smartphone, saving valuable space and weight. This convenience makes it possible for readers to have their entire library at their fingertips, whether they are commuting, traveling, or simply enjoying a lazy afternoon at home. Additionally, digital files are easily searchable, enabling readers to locate specific information within seconds. With a few keystrokes, users can search for keywords, topics, or phrases, making research and finding relevant information a breeze. This efficiency saves time and effort, streamlining the learning process and allowing individuals to focus on extracting the information they need. Furthermore, the availability of free PDF books and manuals fosters a culture of continuous learning. By removing

financial barriers, more people can access educational resources and pursue lifelong learning, contributing to personal growth and professional development. This democratization of knowledge promotes intellectual curiosity and empowers individuals to become lifelong learners, promoting progress and innovation in various fields. It is worth noting that while accessing free 6d22 Engine Part Catalog PDF books and manuals is convenient and cost-effective, it is vital to respect copyright laws and intellectual property rights. Platforms offering free downloads often operate within legal boundaries, ensuring that the materials they provide are either in the public domain or authorized for distribution. By adhering to copyright laws, users can enjoy the benefits of free access to knowledge while supporting the authors and publishers who make these resources available. In conclusion, the availability of 6d22 Engine Part Catalog free PDF books and manuals for download has revolutionized the way we access and consume knowledge. With just a few clicks, individuals can explore a vast collection of resources across different disciplines, all free of charge. This accessibility empowers individuals to become lifelong learners, contributing to personal growth, professional development, and the advancement of society as a whole. So why not unlock a world of knowledge today? Start exploring the vast sea of free PDF books and manuals waiting to be discovered right at your fingertips.

FAQs About 6d22 Engine Part Catalog Books

What is a 6d22 Engine Part Catalog PDF? A PDF (Portable Document Format) is a file format developed by Adobe that preserves the layout and formatting of a document, regardless of the software, hardware, or operating system used to view or print it. **How do I create a 6d22 Engine Part Catalog PDF?** There are several ways to create a PDF: Use software like Adobe Acrobat, Microsoft Word, or Google Docs, which often have built-in PDF creation tools. Print to PDF: Many applications and operating systems have a "Print to PDF" option that allows you to save a document as a PDF file instead of printing it on paper. Online converters: There are various online tools that can convert different file types to PDF. **How do I edit a 6d22 Engine Part Catalog PDF?** Editing a PDF can be done with software like Adobe Acrobat, which allows direct editing of text, images, and other elements within the PDF. Some free tools, like PDFescape or Smallpdf, also offer basic editing capabilities. **How do I convert a 6d22 Engine Part Catalog PDF to another file format?** There are multiple ways to convert a PDF to another format: Use online converters like Smallpdf, Zamzar, or Adobe Acrobats export feature to convert PDFs to formats like Word, Excel, JPEG, etc. Software like Adobe Acrobat, Microsoft Word, or other PDF editors may have options to export or save PDFs in different formats. **How do I password-protect a 6d22 Engine Part Catalog PDF?** Most PDF editing software allows you to add password protection. In Adobe Acrobat, for instance, you can go to "File" -> "Properties" -> "Security" to set a password to restrict access or editing capabilities. Are there any free alternatives to Adobe

Acrobat for working with PDFs? Yes, there are many free alternatives for working with PDFs, such as: LibreOffice: Offers PDF editing features. PDFsam: Allows splitting, merging, and editing PDFs. Foxit Reader: Provides basic PDF viewing and editing capabilities. How do I compress a PDF file? You can use online tools like Smallpdf, ILovePDF, or desktop software like Adobe Acrobat to compress PDF files without significant quality loss. Compression reduces the file size, making it easier to share and download. Can I fill out forms in a PDF file? Yes, most PDF viewers/editors like Adobe Acrobat, Preview (on Mac), or various online tools allow you to fill out forms in PDF files by selecting text fields and entering information. Are there any restrictions when working with PDFs? Some PDFs might have restrictions set by their creator, such as password protection, editing restrictions, or print restrictions. Breaking these restrictions might require specific software or tools, which may or may not be legal depending on the circumstances and local laws.

Find 6d22 Engine Part Catalog :

~~practices United States 35-241 real estate investing best practices for~~
small business 35-109 coding for beginners case study for small business
guide America 35-2030 healthy recipes guide USA 35-145 healthy recipes
crypto trading strategies for small business 35-2807 crypto trading tips
~~practices America 35-2002 passive income ideas best practices for~~
~~startups 35-2769 data science careers case study United States 35-1275~~
~~explained USA 35-544 wearable technology for beginners USA 35-28~~
35-2765 remote work software America 35-394 remote work software for
business 35-2733 healthy recipes strategies United States 35-62 healthy
~~explained America 35-2667 SEO strategy explained for creators 35-2117~~
~~small business 35-264~~
~~35-2210 startup funding checklist for startups 35-2227 startup funding~~
~~for small business 35-2186 AI tools trends America 35-1046 AI tools~~
~~step by step USA 35-523 coding for beginners step by step United States~~
~~tutorial USA 35-2258 cloud computing tutorial United States 35-759 cloud~~

6d22 Engine Part Catalog :

über die seele griechisch deutsch reclams universal bibliothek - Mar 30 2022

web aristoteles Über die seele ein systematischer kommentar reclams universal bibliothek hahmann andree isbn 9783150193907 kostenloser versand für alle

Über die seele griechisch deutsch reclams universal bibliothek - Feb 09 2023

web olenyb net kosho ne jp online book library digital resources find digital datasheets resources die ersten deutschen über das rätselhafte volk der aristoteles über die

Über die seele griechisch deutsch reclams universal - May 12 2023

web über die seele griechisch deutsch reclams universal bibliothek by aristoteles pella 335 334 v chr kehrte er nach athen zurück und unterrichtete im lykeion zu beginn

über die seele griechisch deutsch reclams universal bibliothek - Jan 08 2023

web jun 6 2023 über die seele griechisch deutsch reclams univers is available in our digital library an online access to it is set as public so you can download it instantly our

aristoteles Über die seele reclam verlag - Jun 13 2023

web Über die seele griechisch deutsch reclams universal bibliothek amazon com au books

über die seele griechisch deutsch reclams universal bibliothek - Apr 30 2022

web über die seele griechisch deutsch reclams universal bibliothek by aristoteles über die seele griechisch deutsch reclams universal bibliothek by aristoteles philosophy of

über die seele griechisch deutsch reclams univers copy - Dec 27 2021

web über die seele griechisch deutsch reclams universal bibliothek by aristoteles über die seele griechisch deutsch reclams universal bibliothek by aristoteles hosei ac jp

aristoteles Über die seele ein systematischer kommentar - Feb 26 2022

web über die seele griechisch deutsch reclams universal bibliothek by aristoteles woerterbuch theologisches fach und fremdwoerterbuch by may 25th 2020 kirche

über die seele griechisch deutsch reclams universal bibliothek - Sep 23 2021

amazon com au customer reviews Über die seele - Mar 10 2023

web ebook store Über die seele griechisch deutsch reclams universal bibliothek bücher frei downloaden Über die seele griechisch deutsch re

deutsch Übersetzung türkisch beispiele reverso context - Aug 03 2022

web wie finde ich lösungen für griechisch seele geben sie einfach den kreuzworträtsel begriff in die oben stehende suche ein sie können die angezeigten lösungen mittels

seele auf türkisch übersetzen deutsch türkisch wörterbuch - Oct 05 2022

web ubermensch song 2013

griechisch seele 6 buchstaben kreuzworträtsel lösung - Jul 02 2022

web über die seele griechisch deutsch reclams universal bibliothek by aristoteles landau paul 1880 1951 lenz leonce und lena 530 092 4 kuz einstein and dostoyevsky

über die seele griechisch deutsch reclams universal bibliothek - Jun 01 2022

web may 17th 2020 über die seele griechisch deutsch reclams universal bibliothek von gernot krapinger broschiert 7 80 nur noch 10 auf lager mehr ist unterwegs versandt und

über die seele griechisch deutsch reclams universal bibliothek - Apr 11 2023

web find helpful customer reviews and review ratings for Über die seele griechisch deutsch reclams universal bibliothek at amazon com read honest and unbiased product

die eine seele song and lyrics by ubermensch spotify - Sep 04 2022

web falls sie ihm begegnen grüßen sie ihn bitte von mir chuen amca ve grace teyze ye selam söyle bitte grüßen sie onkel chuen und tante grace Üzgünüm anne babana

über die seele griechisch deutsch reclams universal bibliothek - Oct 25 2021

web über die seele griechisch deutsch reclams universal bibliothek by aristoteles 12 2019 supplement seite s1 s60 bestandsnachweis in heidi f01 justanswer may 2nd 2020 mai

über die seele griechisch deutsch reclams universal bibliothek - Nov 25 2021

web librarything pdf griechisch lernen ii paralleltext kurzgeschichten über die seele griechisch deutsch reclams universal 3927372285 logi guide tabellen mit uber 500

Über die seele griechisch deutsch reclams universal bibliothek - Aug 15 2023

web Über die seele griechisch deutsch reclams universal bibliothek krapinger gernot aristoteles krapinger gernot isbn 9783150186022 kostenloser versand für alle

Über die seele griechisch deutsch reclams universal - Jul 14 2023

web Über die seele griechisch deutsch reclams universal bibliothek von gernot krapinger herausgeber Übersetzer aristoteles 1 juni 2011 isbn kostenloser versand für

über die seele griechisch deutsch reclams universal bibliothek - Jan 28 2022

web jun 15 2023 this uber die seele griechisch deutsch reclams univers as one of the most on the go sellers here will unquestionably be in the midst of the best options to

uber die seele griechisch deutsch reclams univers uniport edu - Dec 07 2022

web viele übersetzte beispielsätze mit aus der seele sprechen englisch deutsch wörterbuch und suchmaschine für millionen von englisch Übersetzungen

aus der seele sprechen englisch Übersetzung linguee - Nov 06 2022

web seele auf türkisch übersetzen deutsch türkisch wörterbuch deutsch türkisch Übersetzen 768 175 einträge 24 144 anfragen dolmetscher und

ns vergleiche und ns metaphern korpuslinguistisch legacy theoc - Jun 04 2023

web ns vergleiche und ns metaphern korpuslinguistisch comprehending antisemitism through the ages a historical perspective arbeitsmigrationssteuerung in deutschland

ns vergleiche und ns metaphern korpuslinguistische - Jul 25 2022

web jun 17 2023 ns vergleiche und ns metaphern korpuslinguistische perspektiven auf konzeptuelle strukturelle und funktionale charakteristika linguistik impulse tendenzen

pdf linda giesel 2019 ns vergleiche und ns metaphern - Sep 07 2023

web nov 18 2020 ns vergleiche und ns metaphern korpuslinguistische perspektiven auf konzeptuelle und funktionale charakteristika linguistik impulse tendenzen 84

ns vergleiche und ns metaphern korpuslinguistische - Feb 17 2022

web linguistische und soziologische analysen von ns vergleiche und ns metaphern ebook jetzt bei weltbild de geistes amp gesellschaftswissenschaften may 29th 2020 und

linda giesel 2019 ns vergleiche und ns metaphern - Oct 08 2023

web dec 1 2020 ns vergleiche und ns metaphern korpuslinguistische perspektiven auf konzeptuelle und funktionale charakteristika linguistik impulse tendenzen 84

ns vergleiche und ns metaphern korpuslinguistische - Mar 21 2022

web jun 4 2023 ns vergleiche und ns metaphern im öffentlichen kommunikationsraum sowie in e mails an die israelische botschaft und den zentralrat der juden in deutschland

unterschied zwischen neologismus und metaphor squader com - Jan 19 2022

web unterschied zwischen neologismus und metaphor was ist der unterschied zwischen neologismus und metaphor ich meine es sind doch beides keine echten wörter die

ns vergleiche und ns metaphern korpuslinguistische - May 23 2022

web ns vergleiche und ns metaphern korpuslinguistische perspektiven auf konzeptuelle strukturelle und funktionale charakteristika linguistik impulse tendenzen band 84 by

schlimmer als die nazis ein korpuslinguistischer ansatz zur - Nov 28 2022

web dec 15 2022 der vorliegende beitrag untersucht ns vergleiche und ns metaphern ns v m anhand linguistischer klassifikationen basierend auf quantitativen und qualitativen

ns vergleiche und ns metaphern korpuslinguistische - Aug 06 2023

web aug 19 2019 ns vergleiche und ns metaphern korpuslinguistische perspektiven auf konzeptuelle strukturelle und funktionale charakteristika request pdf authors linda

unterschied zwischen neandertalern und homo sapiens - Dec 18 2021

web feb 5 2021 es gibt eine reihe von unterschieden zwischen neandertalern und homo sapiens moderne menschen die auch eine reihe von physischen unterschieden

ns vergleiche und ns metaphern korpuslinguistisch 2022 - Jun 23 2022

web ns vergleiche und ns metaphern korpuslinguistisch euphorion g nther grass autobiographie beim h uten der zwiebel vergleich verschiedener rezensionen

ns vergleiche und ns metaphern korpuslinguistische - Jan 31 2023

web ns vergleiche und ns metaphern korpuslinguistische perspektiven auf konzeptuelle strukturelle und funktionale charakteristika ebook written by linda giesel read this

ns vergleiche und ns metaphern korpuslinguistisch store1 - Aug 26 2022

web ns vergleiche und ns metaphern korpuslinguistisch medienkritik zwischen ideologischer instrumentalisierung und kritischer aufkl rung gebrauch oder missbrauch

linda giesel ns vergleiche und ns metaphern de gruyter - Mar 01 2023

web ns vergleiche und ns metaphern korpuslinguistische perspektiven auf konzeptuelle strukturelle und funktionale charakteristika publiziert mit freundlicher unterst tzung der

ns vergleiche und ns metaphern google books - Dec 30 2022

web diese studie untersucht basierend auf linguistischen klassifikationen von vergleichen und metaphern strukturelle konzeptuelle und funktionale charakteristika von ns

ns vergleiche und ns metaphern de gruyter - Jul 05 2023

web aug 19 2019 overview contents about this book the study uses linguistic classifications of comparisons and metaphors to examine the structural conceptual and functional

ns vergleiche und ns metaphern korpuslinguistisch - May 03 2023

web ns vergleiche und ns metaphern korpuslinguistisch germanic genitives may 31 2023 the papers in this volume focus on the dynamics of one specific cell in morphological

ns vergleiche und ns metaphern korpuslinguistische - Apr 02 2023

web ns vergleiche und ns metaphern korpuslinguistische perspektiven auf konzeptuelle strukturelle und funktionale charakteristika linguistik impulse tendenzen 84 band

ns vergleiche und ns metaphern korpuslinguistische - Apr 21 2022

web ns vergleiche und ns metaphern korpuslinguistische perspektiven auf konzeptuelle strukturelle und funktionale charakteristika linguistik impulse tendenzen band 84 by

linda giesel 2019 ns vergleiche und ns metaphern - Nov 16 2021

web ns vergleiche und ns metaphern korpuslinguistische perspektiven auf konzeptuelle und funktionale charakteristika linguistik impulse tendenzen 84 berlin boston de

ns vergleiche und ns metaphern korpuslinguistische - Sep 26 2022

web may 31st 2020 ns vergleiche und ns metaphern korpuslinguistische perspektiven auf konzeptuelle strukturelle und funktionale charakteristika de gruyter reihe linguistik

schlimmer als die nazis ein korpuslinguistischer ansatz zur - Oct 28 2022

web zur untersuchung von ns vergleichen und ns metaphern der vorliegende beitrag untersucht ns vergleiche und ns metaphern ns v m anhand linguisti scher

learnships of nursingg gauteng at baragwanath hospital pdf - Feb 27 2023

web the college is capable of handling about 1 500 students per annum however due to financial constraints only around 100 new nursing students are allowed on intake per

download solutions nursing learnerships at baragwanath - Mar 31 2023

web 4 nursing learnerships at baragwanath hospital for 2014 2021 02 06 conscious of how laced with grace our lives really are this is a book to enjoy and treasure gunilla norris

ebook nursing learnerships at baragwanath hospital for 2014 - Oct 26 2022

web chris hani baragwanath nursing college application 2024 check chbnc portal here for applications details 2023 24 the chris hani baragwanath nursing college

nursing learnerships at baragwanath hospital for 2014 - Nov 26 2022

web may 26 2023 baragwanath hospital in 2014 learnership nursing nursing learnerships at baragwanath hospital for 2014 details of s g lourens nursing college application

[baragwanath hospital nursing learnerships 2024 2025](#) - Oct 06 2023

the chris hani baragwanath nursing collegeprospectus 2024 2025is what you need to ascertain any admission or application information of the institution the prospectus contains all the information a prospective student needs to become a fully admitted student of chris hani baragwanath nursing college see more

baragwanath nursing college prospectus 2024 2025 pdf - Jun 21 2022

web aug 10 2023 this online broadcast nursing learnerships at baragwanath hospital for 2014 can be one of the options to accompany you in the same way as having new time

baragwanath hospital nursing learnerships 50applications com - Jun 02 2023

web nursing learnership at baragwanath hospital in 2014 book review unveiling the power of words in a world driven by information and connectivity the ability of words has

nursing learnerships at baragwanath hospital for 2014 pdf - Feb 15 2022

web learnership jobs in baragwanath gauteng sort by relevance date 70 jobs learnership contact center support disabled applicants only payspace

nursing learnerships at baragwanath hospital for 2014 pdf - May 01 2023

web apr 14 2023 nursing learnerships at baragwanath hospital for 2014 2 5 downloaded from uniport edu ng on april 14 2023 by guest achievement of its economic social and

nursing learnerships at baragwanath hospital for 2014 pdf - Aug 04 2023

the south african nursing council sanc is the body entrusted to set and maintain standards of nursing education and practice in the republic of south see more

nursing learnership at baragwanath hospital in 2014 full pdf - Sep 05 2023

it is recommended that mathematics physical sciences and biology be taken as matriculation subjects candidates shall be admitted to the program if see more

nursing learnerships at baragwanath hospital for 2014 enna - Sep 24 2022

web four year diploma in nursing which include general psychiatric community health and midwifery nursing science two year course for pupil enrolled nurses post basic

baragwanath nursing college online application 2022 fees - Aug 24 2022

web 2 nursing learnerships at baragwanath hospital for 2014 2019 08 28 genetics embryology anatomy physiology and cytology bioethics incorporating information on

chris hani baragwanath nursing college application 2024 - Jan 29 2023

web mar 11 2023 nursing learnerships at baragwanath hospital for 2014 is available in our book collection an online access to it is set as public so you can get it instantly our

nursing learnerships at baragwanath hospital for 2014 full - Jul 03 2023

application is made through filling the application form online at the chris hani baragwanath nursing college admissions portal see more

chris hani baragwanath hospital - Dec 28 2022

web nursing learnerships at baragwanath hospital for 2014 health democracy feb 09 2022 this title is a must have for anyone in the health sector as it highlights the key

nursing learnerships at baragwanath hospital for 2014 pdf - Nov 14 2021

web may 7 2023 nursing learnerships at baragwanath hospital for 2014 by online you might not require more time to spend to go to the books establishment as skillfully as

nursing learnerships at baragwanath hospital for 2014 pdf - Dec 16 2021

web nursing learnerships at baragwanath hospital for 2014 as recognized adventure as without difficulty as experience more or less lesson amusement as capably as bargain

nursing training school north 24 praganas studyguideindia - Apr 19 2022

web we give nursing learnerships at baragwanath hospital for 2014 and numerous books collections from fictions to scientific research in any way in the middle of them is this

learnership jobs in baragwanath gauteng indeed - May 21 2022

web jul 8 2022 baragwanath nursing college contact details to get more information on the admission process or learnerships at baragwanath hospital you can use the following

nursing learnerships at baragwanath hospital for 2014 - Jul 23 2022

web nursing learnerships at baragwanath hospital for 2014 an ambulance of the wrong colour jan 06 2021 a study on the ethical problems afflicting the health sector this work

nursing learnerships at baragwanath hospital for 2014 pdf - Jan 17 2022

web studyguideindia find information about nursing training school north 24 praganas in north 24 parganas west bengal nursing training school north 24 praganas

nursing learnerships at baragwanath hospital for 2014 tinasha - Mar 19 2022

web jan 7 2021 step 1 accessing the prospectus to get started follow these simple steps open your web browser and visit the official chris hani baragwanath campus website