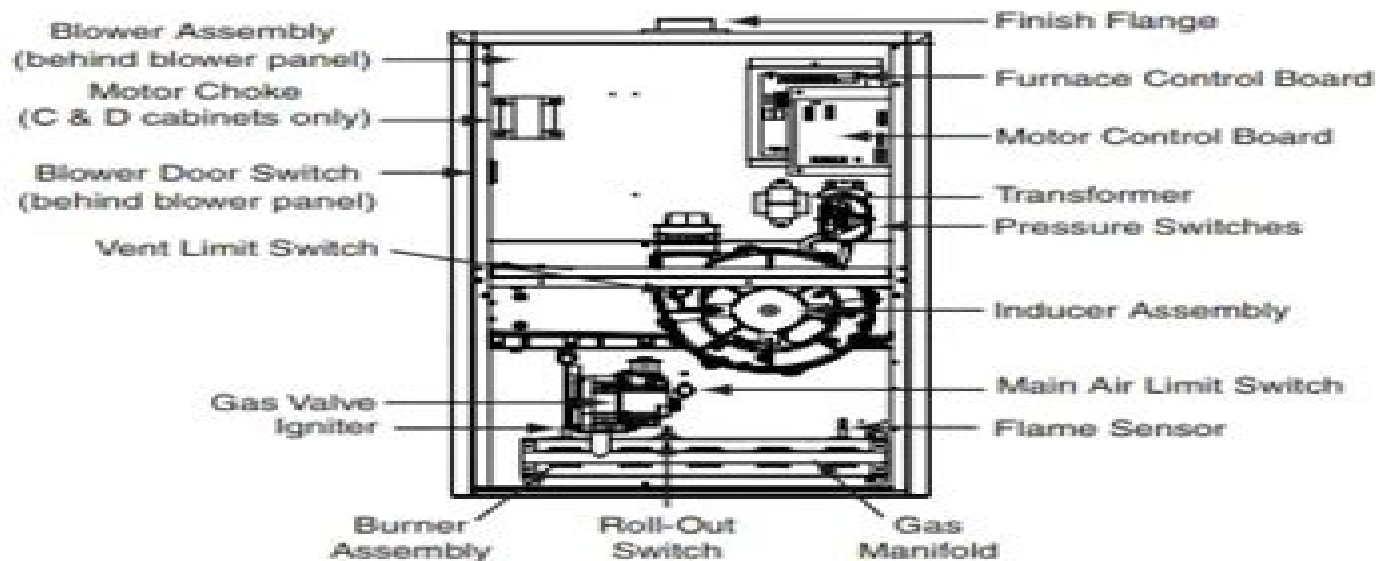


Upflow/Horizontal Gas Furnace Components



Downflow Gas Furnace Components

90 High Efficiency Upflow Downflow Models Service Manual

CH Cherryholmes



90 High Efficiency Upflow Downflow Models Service Manual:

Energy from Biomass ,1987 **Consulting-specifying Engineer** ,1993 **ASHRAE Handbook & Product Directory**
American Society of Heating, Refrigerating and Air-Conditioning Engineers,1978 **Air Conditioning, Heating and**
Ventilating ,1963 **Catalog of Sears, Roebuck and Company** Sears, Roebuck and Company,1977 **Government**
Reports Announcements & Index ,1990 Kitchen Planning ,1968 *The Journal of the Iron and Steel Institute* Iron
and Steel Institute,1963 Includes the institute s Proceedings **Transactions** Iron and Steel Institute,1963 Government
Reports Annual Index ,1986 Sections 1 2 Keyword Index Section 3 Personal author index Section 4 Corporate author index
Section 5 Contract grant number index NTIS order report number index 1 E Section 6 NTIS order report number index F Z
Service Manual for Super 90 (excluding Engine), Super 70 (excluding Engine), 60 DA (excluding Engineering) DA,
Kerosine Models Chamberlain Industries Pty. Ltd,1965

Uncover the mysteries within is enigmatic creation, Discover the Intrigue in **90 High Efficiency Upflow Downflow Models Service Manual** . This downloadable ebook, shrouded in suspense, is available in a PDF format (*). Dive into a world of uncertainty and anticipation. Download now to unravel the secrets hidden within the pages.

<https://py.bijouxmedusa.com/About/detail/Documents/Trends%20For%20Startups%2021%201845%20AI%20Tools%20Tutoria%20United%20States%2021%201638%20AI.pdf>

Table of Contents 90 High Efficiency Upflow Downflow Models Service Manual

1. Understanding the eBook 90 High Efficiency Upflow Downflow Models Service Manual
 - The Rise of Digital Reading 90 High Efficiency Upflow Downflow Models Service Manual
 - Advantages of eBooks Over Traditional Books
2. Identifying 90 High Efficiency Upflow Downflow Models Service Manual
 - Exploring Different Genres
 - Considering Fiction vs. Non-Fiction
 - Determining Your Reading Goals
3. Choosing the Right eBook Platform
 - Popular eBook Platforms
 - Features to Look for in an 90 High Efficiency Upflow Downflow Models Service Manual
 - User-Friendly Interface
4. Exploring eBook Recommendations from 90 High Efficiency Upflow Downflow Models Service Manual
 - Personalized Recommendations
 - 90 High Efficiency Upflow Downflow Models Service Manual User Reviews and Ratings
 - 90 High Efficiency Upflow Downflow Models Service Manual and Bestseller Lists
5. Accessing 90 High Efficiency Upflow Downflow Models Service Manual Free and Paid eBooks
 - 90 High Efficiency Upflow Downflow Models Service Manual Public Domain eBooks
 - 90 High Efficiency Upflow Downflow Models Service Manual eBook Subscription Services
 - 90 High Efficiency Upflow Downflow Models Service Manual Budget-Friendly Options

6. Navigating 90 High Efficiency Upflow Downflow Models Service Manual eBook Formats
 - ePub, PDF, MOBI, and More
 - 90 High Efficiency Upflow Downflow Models Service Manual Compatibility with Devices
 - 90 High Efficiency Upflow Downflow Models Service Manual Enhanced eBook Features
7. Enhancing Your Reading Experience
 - Adjustable Fonts and Text Sizes of 90 High Efficiency Upflow Downflow Models Service Manual
 - Highlighting and Note-Taking 90 High Efficiency Upflow Downflow Models Service Manual
 - Interactive Elements 90 High Efficiency Upflow Downflow Models Service Manual
8. Staying Engaged with 90 High Efficiency Upflow Downflow Models Service Manual
 - Joining Online Reading Communities
 - Participating in Virtual Book Clubs
 - Following Authors and Publishers 90 High Efficiency Upflow Downflow Models Service Manual
9. Balancing eBooks and Physical Books 90 High Efficiency Upflow Downflow Models Service Manual
 - Benefits of a Digital Library
 - Creating a Diverse Reading Collection 90 High Efficiency Upflow Downflow Models Service Manual
10. Overcoming Reading Challenges
 - Dealing with Digital Eye Strain
 - Minimizing Distractions
 - Managing Screen Time
11. Cultivating a Reading Routine 90 High Efficiency Upflow Downflow Models Service Manual
 - Setting Reading Goals 90 High Efficiency Upflow Downflow Models Service Manual
 - Carving Out Dedicated Reading Time
12. Sourcing Reliable Information of 90 High Efficiency Upflow Downflow Models Service Manual
 - Fact-Checking eBook Content of 90 High Efficiency Upflow Downflow Models Service Manual
 - Distinguishing Credible Sources
13. Promoting Lifelong Learning
 - Utilizing eBooks for Skill Development
 - Exploring Educational eBooks
14. Embracing eBook Trends
 - Integration of Multimedia Elements

- Interactive and Gamified eBooks

90 High Efficiency Upflow Downflow Models Service Manual Introduction

In this digital age, the convenience of accessing information at our fingertips has become a necessity. Whether its research papers, eBooks, or user manuals, PDF files have become the preferred format for sharing and reading documents. However, the cost associated with purchasing PDF files can sometimes be a barrier for many individuals and organizations. Thankfully, there are numerous websites and platforms that allow users to download free PDF files legally. In this article, we will explore some of the best platforms to download free PDFs. One of the most popular platforms to download free PDF files is Project Gutenberg. This online library offers over 60,000 free eBooks that are in the public domain. From classic literature to historical documents, Project Gutenberg provides a wide range of PDF files that can be downloaded and enjoyed on various devices. The website is user-friendly and allows users to search for specific titles or browse through different categories. Another reliable platform for downloading 90 High Efficiency Upflow Downflow Models Service Manual free PDF files is Open Library. With its vast collection of over 1 million eBooks, Open Library has something for every reader. The website offers a seamless experience by providing options to borrow or download PDF files. Users simply need to create a free account to access this treasure trove of knowledge. Open Library also allows users to contribute by uploading and sharing their own PDF files, making it a collaborative platform for book enthusiasts. For those interested in academic resources, there are websites dedicated to providing free PDFs of research papers and scientific articles. One such website is Academia.edu, which allows researchers and scholars to share their work with a global audience. Users can download PDF files of research papers, theses, and dissertations covering a wide range of subjects. Academia.edu also provides a platform for discussions and networking within the academic community. When it comes to downloading 90 High Efficiency Upflow Downflow Models Service Manual free PDF files of magazines, brochures, and catalogs, Issuu is a popular choice. This digital publishing platform hosts a vast collection of publications from around the world. Users can search for specific titles or explore various categories and genres. Issuu offers a seamless reading experience with its user-friendly interface and allows users to download PDF files for offline reading. Apart from dedicated platforms, search engines also play a crucial role in finding free PDF files. Google, for instance, has an advanced search feature that allows users to filter results by file type. By specifying the file type as "PDF," users can find websites that offer free PDF downloads on a specific topic. While downloading 90 High Efficiency Upflow Downflow Models Service Manual free PDF files is convenient, its important to note that copyright laws must be respected. Always ensure that the PDF files you download are legally available for free. Many authors and publishers voluntarily provide free PDF versions of their work, but its essential to be cautious and verify the authenticity of the source before downloading 90 High Efficiency Upflow Downflow Models Service Manual. In conclusion,

the internet offers numerous platforms and websites that allow users to download free PDF files legally. Whether its classic literature, research papers, or magazines, there is something for everyone. The platforms mentioned in this article, such as Project Gutenberg, Open Library, Academia.edu, and Issuu, provide access to a vast collection of PDF files. However, users should always be cautious and verify the legality of the source before downloading 90 High Efficiency Upflow Downflow Models Service Manual any PDF files. With these platforms, the world of PDF downloads is just a click away.

FAQs About 90 High Efficiency Upflow Downflow Models Service Manual Books

What is a 90 High Efficiency Upflow Downflow Models Service Manual PDF? A PDF (Portable Document Format) is a file format developed by Adobe that preserves the layout and formatting of a document, regardless of the software, hardware, or operating system used to view or print it. **How do I create a 90 High Efficiency Upflow Downflow Models Service Manual PDF?** There are several ways to create a PDF: Use software like Adobe Acrobat, Microsoft Word, or Google Docs, which often have built-in PDF creation tools. Print to PDF: Many applications and operating systems have a "Print to PDF" option that allows you to save a document as a PDF file instead of printing it on paper. Online converters: There are various online tools that can convert different file types to PDF. **How do I edit a 90 High Efficiency Upflow Downflow Models Service Manual PDF?** Editing a PDF can be done with software like Adobe Acrobat, which allows direct editing of text, images, and other elements within the PDF. Some free tools, like PDFescape or Smallpdf, also offer basic editing capabilities. **How do I convert a 90 High Efficiency Upflow Downflow Models Service Manual PDF to another file format?** There are multiple ways to convert a PDF to another format: Use online converters like Smallpdf, Zamzar, or Adobe Acrobats export feature to convert PDFs to formats like Word, Excel, JPEG, etc. Software like Adobe Acrobat, Microsoft Word, or other PDF editors may have options to export or save PDFs in different formats. **How do I password-protect a 90 High Efficiency Upflow Downflow Models Service Manual PDF?** Most PDF editing software allows you to add password protection. In Adobe Acrobat, for instance, you can go to "File" -> "Properties" -> "Security" to set a password to restrict access or editing capabilities. Are there any free alternatives to Adobe Acrobat for working with PDFs? Yes, there are many free alternatives for working with PDFs, such as: LibreOffice: Offers PDF editing features. PDFsam: Allows splitting, merging, and editing PDFs. Foxit Reader: Provides basic PDF viewing and editing capabilities. How do I compress a PDF file? You can use online tools like Smallpdf, ILovePDF, or desktop software like Adobe Acrobat to compress PDF files without significant quality loss. Compression reduces the file size, making it easier to share and download. Can I fill out forms in a PDF file? Yes, most PDF viewers/editors like Adobe Acrobat, Preview (on Mac), or various online tools allow you to fill out forms in PDF files by selecting text fields and entering information. Are there any restrictions when working with PDFs?

Some PDFs might have restrictions set by their creator, such as password protection, editing restrictions, or print restrictions. Breaking these restrictions might require specific software or tools, which may or may not be legal depending on the circumstances and local laws.

Find 90 High Efficiency Upflow Downflow Models Service Manual :

[trends for startups 21-1845](#) [AI tools tutorial United States 21-1638](#) [AI 21-984](#) [online privacy tools for entrepreneurs 21-960](#) [online privacy tutorial USA 21-77](#) [stock market tutorial United States 21-1685](#) [stock blueprint United States 21-384](#) [startup funding blueprint for 21-1641](#) [stock market blueprint for entrepreneurs 21-2789](#) [stock market software for small business 21-1128](#) [sustainable living software for business ideas explained America 21-1535](#) [small business ideas explained States 21-2583](#) [self improvement guide USA 21-2730](#) [self improvement guide beginners for small business 21-519](#) [startup funding for beginners for startups 21-2997](#) [NFT marketplace checklist for startups 21-754](#) [NFT trends for entrepreneurs 21-564](#) [remote jobs trends for small business online privacy examples United States 21-1098](#) [online privacy examples interview tips software America 21-1462](#) [interview tips software America print on demand tips for entrepreneurs 21-1762](#) [print on demand tips for startups 21-961](#) [mental wellness trends USA 21-920](#) [mental wellness trends](#)

90 High Efficiency Upflow Downflow Models Service Manual :

Rave for L322 Aug 13, 2012 — RAVE is the complete Workshop and Electrical Troubleshooting Manual in electronic form for all L322 from 2002-2005. HOWEVER it's information ... RAVE For L322 Jan 9, 2020 — Range Rover L322 (3rd Gen) - RAVE For L322 - Hi guys. Is there a rave/workshop manual file for the Jag 4.4 L322 (like the one for the D2s)? RAVE MANUALS - Topic - rangerovers.pub IM TRYING TO DOWNLOAD THE RAVE MANUAL BUT EVERY LINK I OPEN IS NO LONGER AVAILABLE. ... L322/Defender CD on my Google Drive here <https://drive.google.com/file/d> ... L322 Rave software? TD6 workshop manual Jun 4, 2021 — Sorry if it's been done to death but wondering if anyone has a copy cd/usb of the rave manuals for 2003 Vogue TD6 ? View topic - RAVE manual Feb 25, 2015 — Home > Technical (L322) > RAVE manual. Post ...

Previous: L322 Range Rover TDV8 3.6 2008; L322 Range Rover TD6 3.0 2002; P38A Range Rover V8 1999. Where to go to download Rave Feb 28, 2022 — RAVE is much more than the workshop manual which is only a section ... 1994 Range Rover Classic Soft Dash RAVE download. Range Rover Classic. rave manual Mar 11, 2014 — How do i get hold of or download a rave manual for my 02 l322? ... click on that and download. cheers. 2014 Freelander SE TD4 2003 Range Rover ... View topic - RAVE Sep 27, 2016 — On a Mac either just stick in Finder search 'wmln022n' which is the 'Service Procedures' Manual or search through the 'Rave/pdf/LM' folder for ... RAVE Manual - YouTube Workshop Manuals for L322/320/494 - Range Rover Forum Feb 21, 2018 — Workshop Manuals for L322/320/494. Naks. By Naks February 21, 2018 in Range Rover Forum. Manual de Vuelo Limitations Hawker 700a | PDF Revise the Limitations Section in the FAA-approved Aigplane Flight Manual (AFM) Supplement to include the following slatement, This may be accomplished by ... Hawker 700, HS-125-700 Pilot Training Manual This item is: SimuFlite Hawker 700, HS-125-700 Initial Pilot Training Manual. FlightSafety Hawker HS 125 Series 700A Performance ... This item is: FlightSafety Hawker HS 125 Series 700A Performance Manual. With HS125-400A 731 Retrofit with APR section. We answer questions and will provide ... Flight Safety International Hawker Pilot Training Manual ... This Flight Safety International Hawker Pilot Training Manual Model HS-125 Model 700A is a valuable resource for any pilot looking to improve their skills ... Hawker 700 (MM) Illustrated Maintenance Manual Download Hawker 700 (MM) Illustrated Maintenance Manual Download. The Hawker 700 is one of the most popular jets for interstate business travel. Hawker 700A Maintenance Manual Aug 6, 2020 — Hawker 700A Maintenance Manual. Without the noise volume that some business jets produce, the Hawker 700 is capable of entry into any airport ... Raytheon Beechcraft Hawker 125 series 700 ... Raytheon Beechcraft Hawker 125 series 700 Aircraft Maintenance Manual. Disclaimer: This item is sold for historical and reference Only. Download Aircraft Airframes Manuals - Hawker Beechcraft ... Maintenance Schedule Manual. \$18.85. Add To Cart · Raytheon Beechcraft Hawker 125 series 700 Aircraft ... Hawker 700 Hawker 700 pilot initial training is a 13-day program and is offered in our Dallas ... • Aircraft Flight Manual. • Electrical - Normals / Abnormals. • Lighting ... G1000 / GFC 700 System Maintenance Manual Hawker ... Feb 21, 2014 — Airplane Flight Manual Supplement, G1000, Hawker Beechcraft 200, 200C, ... G1000 / GFC 700 System Maintenance Manual - 200/B200 Series King Air. Surveying Principles and Applications Textbook Solutions Surveying Principles and Applications textbook solutions from Chegg, view all supported editions ... Surveying Principles and Applications 8th Edition by Barry F ... Solutions manual for surveying with construction ... Apr 27, 2018 — Solutions Manual for Surveying with Construction Applications 8th Edition by Kavanagh IBSN 9780132766982 Full download: ... Surveying With Construction Applications 8th Edition ... Surveying with Construction Applications 8th Edition Kavanagh Solutions Manual - Free download as Word Doc (.doc / .docx), PDF File (.pdf), Text File (.txt) ... Surveying Principles And Applications Solution Manual Select your edition Below. Textbook Solutions for Surveying Principles and Applications. by. 8th Edition. Author: Barry F Kavanagh. 221 solutions available. Surveying: Principles and

Applications, 8th Edition. by D Duffy · 2009 — "Surveying" is organized into three parts: Surveying Principles, Remote Sensing and Surveying Applications. Chapter 1 of Part 1, "Basics of Surveying," assumes ... Surveying: Principles and Applications by Kavanagh, Barry F. Surveying: Principles and Applications, Eighth Edition presents a clear discussion of the latest advances in technological instrumentation, surveying ... 260331285-Solution-Manual-Surveying-Principles.pdf ... CHAPTER 01-Basics of Surveying 1.1How do plane surveys and geodetic surveys differ? Plane surveying assumes all horizontal measurements are taken on a single ... Surveying With Construction Applications 8th Edition ... Surveying With Construction Applications 8th Edition Kavanagh Solutions Manual - Free download as PDF File (.pdf), Text File (.txt) or read online for free. Download Solution manual for Surveying with Construction ... Download Solution manual for Surveying with Construction Applications 8th Edition by Barry Kavanagh and Diane K · 4.8 STATION BS · HI · IS · FS · ELEVATION · BM S101. A Survey of Mathematics with Applications - 8th Edition Find step-by-step solutions and answers to A Survey of Mathematics with Applications - 9780131354814, as well as thousands of textbooks so you can move ...