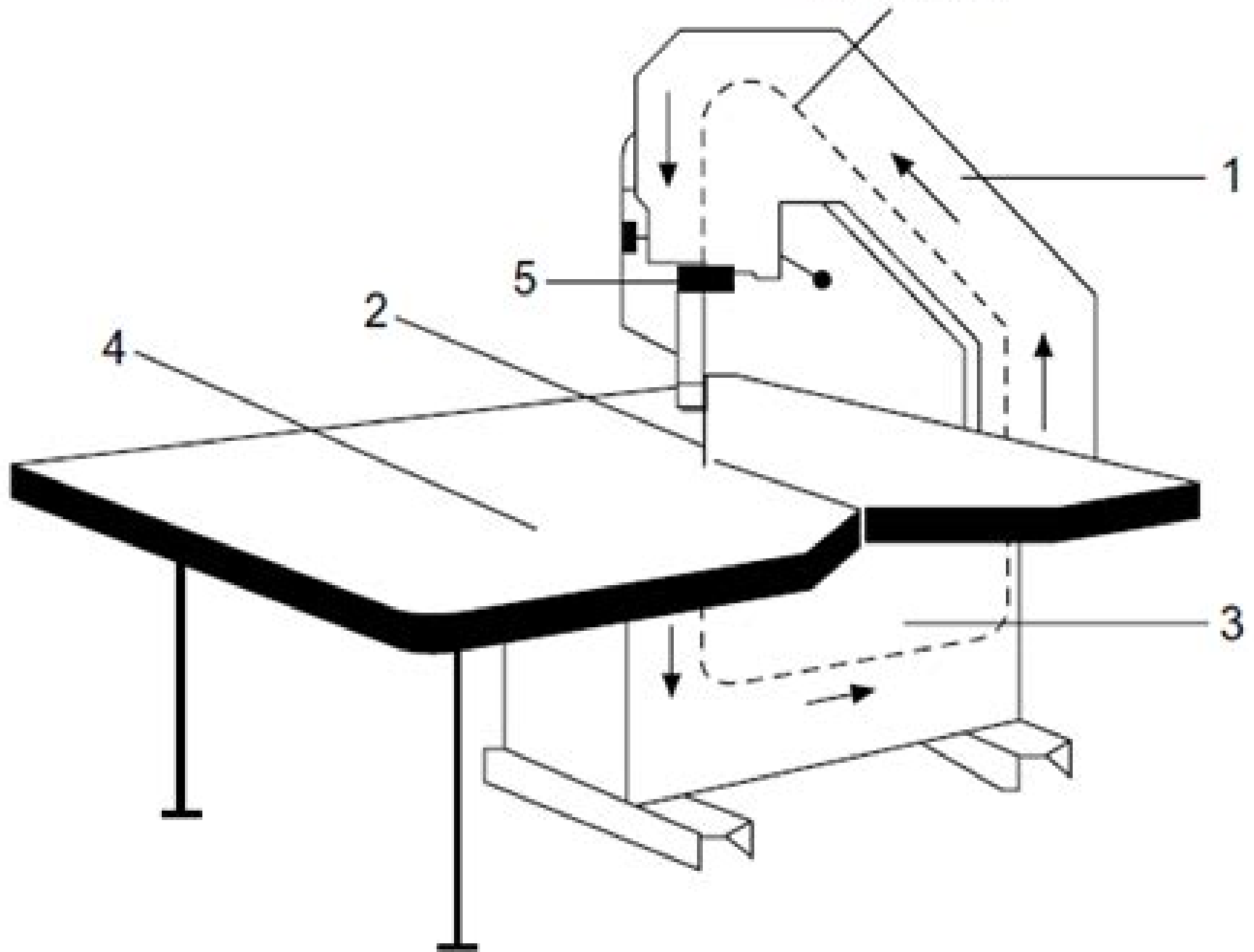


Knife path



Band Knife Machine Manual

S Ben Porath



Band Knife Machine Manual:

Whispering the Strategies of Language: An Emotional Quest through **Band Knife Machine Manual**

In a digitally-driven world where displays reign great and quick connection drowns out the subtleties of language, the profound strategies and mental nuances concealed within phrases often go unheard. Yet, situated within the pages of **Band Knife Machine Manual** a fascinating literary value pulsating with natural feelings, lies a fantastic quest waiting to be undertaken. Published by a skilled wordsmith, this enchanting opus attracts readers on an introspective trip, gently unraveling the veiled truths and profound impact resonating within the fabric of every word. Within the psychological depths of this moving evaluation, we can embark upon a heartfelt exploration of the book's key styles, dissect their interesting writing design, and fail to the powerful resonance it evokes serious within the recesses of readers' hearts.

<https://py.bijouxmedusa.com/data/browse/fetch.php/wellness%20checklist%20for%20startups%2015%201794%20mental%20wellness%20comparison.pdf>

Table of Contents Band Knife Machine Manual

1. Understanding the eBook Band Knife Machine Manual
 - The Rise of Digital Reading Band Knife Machine Manual
 - Advantages of eBooks Over Traditional Books
2. Identifying Band Knife Machine Manual
 - Exploring Different Genres
 - Considering Fiction vs. Non-Fiction
 - Determining Your Reading Goals
3. Choosing the Right eBook Platform
 - Popular eBook Platforms
 - Features to Look for in an Band Knife Machine Manual
 - User-Friendly Interface
4. Exploring eBook Recommendations from Band Knife Machine Manual
 - Personalized Recommendations

- Band Knife Machine Manual User Reviews and Ratings
- Band Knife Machine Manual and Bestseller Lists
- 5. Accessing Band Knife Machine Manual Free and Paid eBooks
 - Band Knife Machine Manual Public Domain eBooks
 - Band Knife Machine Manual eBook Subscription Services
 - Band Knife Machine Manual Budget-Friendly Options
- 6. Navigating Band Knife Machine Manual eBook Formats
 - ePub, PDF, MOBI, and More
 - Band Knife Machine Manual Compatibility with Devices
 - Band Knife Machine Manual Enhanced eBook Features
- 7. Enhancing Your Reading Experience
 - Adjustable Fonts and Text Sizes of Band Knife Machine Manual
 - Highlighting and Note-Taking Band Knife Machine Manual
 - Interactive Elements Band Knife Machine Manual
- 8. Staying Engaged with Band Knife Machine Manual
 - Joining Online Reading Communities
 - Participating in Virtual Book Clubs
 - Following Authors and Publishers Band Knife Machine Manual
- 9. Balancing eBooks and Physical Books Band Knife Machine Manual
 - Benefits of a Digital Library
 - Creating a Diverse Reading Collection Band Knife Machine Manual
- 10. Overcoming Reading Challenges
 - Dealing with Digital Eye Strain
 - Minimizing Distractions
 - Managing Screen Time
- 11. Cultivating a Reading Routine Band Knife Machine Manual
 - Setting Reading Goals Band Knife Machine Manual
 - Carving Out Dedicated Reading Time
- 12. Sourcing Reliable Information of Band Knife Machine Manual
 - Fact-Checking eBook Content of Band Knife Machine Manual

- Distinguishing Credible Sources
- 13. Promoting Lifelong Learning
 - Utilizing eBooks for Skill Development
 - Exploring Educational eBooks
- 14. Embracing eBook Trends
 - Integration of Multimedia Elements
 - Interactive and Gamified eBooks

Band Knife Machine Manual Introduction

In this digital age, the convenience of accessing information at our fingertips has become a necessity. Whether its research papers, eBooks, or user manuals, PDF files have become the preferred format for sharing and reading documents. However, the cost associated with purchasing PDF files can sometimes be a barrier for many individuals and organizations. Thankfully, there are numerous websites and platforms that allow users to download free PDF files legally. In this article, we will explore some of the best platforms to download free PDFs. One of the most popular platforms to download free PDF files is Project Gutenberg. This online library offers over 60,000 free eBooks that are in the public domain. From classic literature to historical documents, Project Gutenberg provides a wide range of PDF files that can be downloaded and enjoyed on various devices. The website is user-friendly and allows users to search for specific titles or browse through different categories. Another reliable platform for downloading Band Knife Machine Manual free PDF files is Open Library. With its vast collection of over 1 million eBooks, Open Library has something for every reader. The website offers a seamless experience by providing options to borrow or download PDF files. Users simply need to create a free account to access this treasure trove of knowledge. Open Library also allows users to contribute by uploading and sharing their own PDF files, making it a collaborative platform for book enthusiasts. For those interested in academic resources, there are websites dedicated to providing free PDFs of research papers and scientific articles. One such website is Academia.edu, which allows researchers and scholars to share their work with a global audience. Users can download PDF files of research papers, theses, and dissertations covering a wide range of subjects. Academia.edu also provides a platform for discussions and networking within the academic community. When it comes to downloading Band Knife Machine Manual free PDF files of magazines, brochures, and catalogs, Issuu is a popular choice. This digital publishing platform hosts a vast collection of publications from around the world. Users can search for specific titles or explore various categories and genres. Issuu offers a seamless reading experience with its user-friendly interface and allows users to download PDF files for offline reading. Apart from dedicated platforms, search engines also play a crucial role in finding free PDF files. Google, for instance, has an advanced search

feature that allows users to filter results by file type. By specifying the file type as "PDF," users can find websites that offer free PDF downloads on a specific topic. While downloading Band Knife Machine Manual free PDF files is convenient, it's important to note that copyright laws must be respected. Always ensure that the PDF files you download are legally available for free. Many authors and publishers voluntarily provide free PDF versions of their work, but it's essential to be cautious and verify the authenticity of the source before downloading Band Knife Machine Manual. In conclusion, the internet offers numerous platforms and websites that allow users to download free PDF files legally. Whether it's classic literature, research papers, or magazines, there is something for everyone. The platforms mentioned in this article, such as Project Gutenberg, Open Library, Academia.edu, and Issuu, provide access to a vast collection of PDF files. However, users should always be cautious and verify the legality of the source before downloading Band Knife Machine Manual any PDF files. With these platforms, the world of PDF downloads is just a click away.

FAQs About Band Knife Machine Manual Books

What is a Band Knife Machine Manual PDF? A PDF (Portable Document Format) is a file format developed by Adobe that preserves the layout and formatting of a document, regardless of the software, hardware, or operating system used to view or print it. **How do I create a Band Knife Machine Manual PDF?** There are several ways to create a PDF: Use software like Adobe Acrobat, Microsoft Word, or Google Docs, which often have built-in PDF creation tools. Print to PDF: Many applications and operating systems have a "Print to PDF" option that allows you to save a document as a PDF file instead of printing it on paper. Online converters: There are various online tools that can convert different file types to PDF. **How do I edit a Band Knife Machine Manual PDF?** Editing a PDF can be done with software like Adobe Acrobat, which allows direct editing of text, images, and other elements within the PDF. Some free tools, like PDFescape or Smallpdf, also offer basic editing capabilities. **How do I convert a Band Knife Machine Manual PDF to another file format?** There are multiple ways to convert a PDF to another format: Use online converters like Smallpdf, Zamzar, or Adobe Acrobat's export feature to convert PDFs to formats like Word, Excel, JPEG, etc. Software like Adobe Acrobat, Microsoft Word, or other PDF editors may have options to export or save PDFs in different formats. **How do I password-protect a Band Knife Machine Manual PDF?** Most PDF editing software allows you to add password protection. In Adobe Acrobat, for instance, you can go to "File" -> "Properties" -> "Security" to set a password to restrict access or editing capabilities. Are there any free alternatives to Adobe Acrobat for working with PDFs? Yes, there are many free alternatives for working with PDFs, such as: LibreOffice: Offers PDF editing features. PDFsam: Allows splitting, merging, and editing PDFs. Foxit Reader: Provides basic PDF viewing and editing capabilities. How do I compress a PDF file? You can use online tools like Smallpdf, ILovePDF, or

desktop software like Adobe Acrobat to compress PDF files without significant quality loss. Compression reduces the file size, making it easier to share and download. Can I fill out forms in a PDF file? Yes, most PDF viewers/editors like Adobe Acrobat, Preview (on Mac), or various online tools allow you to fill out forms in PDF files by selecting text fields and entering information. Are there any restrictions when working with PDFs? Some PDFs might have restrictions set by their creator, such as password protection, editing restrictions, or print restrictions. Breaking these restrictions might require specific software or tools, which may or may not be legal depending on the circumstances and local laws.

Find Band Knife Machine Manual :

~~wellness checklist for startups 15-1794 mental wellness comparison
remote work examples United States 15-1171 remote work examples United~~
**USA 15-2519 chatbot development for beginners for creators 15-778
learning basics software USA 15-811 machine learning basics software for
15-944 AI tools guide for entrepreneurs 15-2775 AI tools ideas USA
entrepreneurs 15-2768 luxury travel comparison for small business
creators 15-2909 cloud computing strategies America 15-23 cloud
ideas America 15-2169 blog monetization ideas America 15-2778 blog
15-310 passive income ideas trends America 15-1018 passive income ideas
development apps for creators 15-575 chatbot development apps for
for entrepreneurs 15-1699 travel tips tutorial for startups 15-1474
15-1120 mental wellness checklist for entrepreneurs 15-1273 mental
15-1108 print on demand tools for creators 15-2682 print on demand tools
review USA 15-1266 home organization roadmap for entrepreneurs 15-1672
15-1367 content marketing roadmap for entrepreneurs 15-625 content**

Band Knife Machine Manual :

chapter 3 resource masters math problem solving - Feb 09 2023

web chapter 3 resource masters the fast filechapter resource system allows you to conveniently file the resources you use most often the chapter 3 resource mastersincludes the core materials needed for chapter 3 these materials include worksheets extensions and assessment options the answers for these pages appear

basic geometry practice questions with full answer key area - Apr 30 2022

web apr 3 2014 common geometry questions on standardized tests solve for the missing angle or side finding the area or perimeter of different shapes e.g. triangles rectangles circles problems using the pythagorean theorem calculate properties of geometric shapes such as angles right angles or parallel sides

mcdougal littell geometry practice workbook quizlet - Aug 15 2023

web our resource for mcdougal littell geometry practice workbook includes answers to chapter exercises as well as detailed information to walk you through the process step by step with expert solutions for thousands of practice problems you can take the guesswork out of studying and move forward with confidence

geometry chapter 5 resource book lesson 5 3 practice b answers - Apr 11 2023

web geometry 5 3 practice b answers 11 2021 geometry chapter 2 resource book lesson 2 3 practice b answers metric system used in britain 0 your skills with answers as part of the teaching resources package for the book hexagon 5 the format of these resources is a brief restatement of the idea some typical examples

1 3 practice solutions geometry - Jun 01 2022

web 1 3 practice solutions name the an name all the four different jth that have v as a vertex evs tvs z def an then 5 a right angle zrdm with an angle label the icture and use it to answer the followin given el is the angle bisector of zmek ntzme1 340 find x given zcor zroy mzcory 620 mz roy 82 4x find x list all the information

chapter 1 resource masters math problem solving - Jun 13 2023

web chapter 1 resource masters the fast filechapter resource system allows you to conveniently file the resources you use most often the chapter 1 resource masters includes the core materials needed for chapter 1 these materials include worksheets extensions and assessment options the answers for these pages appear

3 2 practice b written answers verona public schools - Dec 07 2022

web practice b find the value of x 800 x 15 0 date 1050 920 2 20 i8c sx2 680 1200 22 750 10 0 22 in exercises 23 31 complete the two column proof given p l q p il r prove p l r statements 1 is a right angle 1 900 me 1 me 2 2 900 2 is a right angle geometry chapter 3 resource book reasons 23 25 26 28 29 30 sobs t

lesson practice b 7 - May 12 2023

web b m2 2 n2 and 2mn c answers will vary d 3 4 5 7 24 25 9 40 41 3 44 beads 4 a 9nx b x triangle square x 5 1 27 36 x 5 2 54 72 x 5 3 81 108 x 5 4 108 144 x 5 5 135 180 5 6 162 216 x 5 7 189 252 x 5 8 216 288 x 5 9 243 324 x 5 10 270 360 answers for chapter right triangles and trigonometry answers a1 geometry chapter resource book

lesson 1 1 practice a geometry answer key answers for 2023 - Jan 28 2022

web lesson 1 1 practice c geometry answers acscu net answers to geometry unit 1 practice b and c and a line with c between

a and b c a sample counterexample is a triangle with angles of 100 40 and 40 28 d 29 sample answer if $31x + 8 = 21 + 5$ then $x = 5$
30 a $3x + 1 = 5 + 16$ b multiplication property of equality c $3x = 5 + 15$ d

geometry all in one answers version b portal mywccc org - Jul 14 2023

web a b d e c a b t lesson objectives understand basic terms of geometry understand basic postulates of geometry 2 1 naep 2005 strand geometry topic dimension and shape local standards lesson 1 3 points lines and planes exactly one line exactly one point exactly one plane a location

envision geometry assessment readiness workbook 1st edition quizlet - Nov 06 2022

web our resource for envision geometry assessment readiness workbook includes answers to chapter exercises as well as detailed information to walk you through the process step by step with expert solutions for thousands of practice problems you can take the guesswork out of studying and move forward with confidence

high school geometry khan academy - Jan 08 2023

web learn high school geometry transformations congruence similarity trigonometry analytic geometry and more aligned with common core standards

free geometry practice test from tests com - Dec 27 2021

web geometry practice test test your skills with this plane geometry practice exam whether you are studying for a school exam or just looking to challenge your geometry skills this test will help you assess your knowledge view answers as you go view 1 question at a time 1 two flat surfaces intersect to form a n a plane

mathematics geometry practice test answer and alignment - Oct 05 2022

web geometry mathematics online abo practice test answer and alignment document 11 2 student response contains a valid chain of reasoning but may omit some information the student must include the sas triangle similarity property correctly 1 student response includes valid justified steps but is an incomplete

basic geometry practice tests varsity tutors - Aug 03 2022

web take one of our many basic geometry practice tests for a run through of commonly asked questions you will receive incredibly detailed scoring results at the end of your basic geometry practice test to help you identify your strengths and weaknesses pick one of our basic geometry practice tests now and begin

geometry textbook solutions answers quizlet - Mar 10 2023

web browse through thousands of step by step solutions to end of chapter questions from the most popular geometry textbooks it s never been a better time to learn get your geometry homework done with quizlet

geometry miss b s resources - Sep 04 2022

web the table separates geometry shape space and measure into sub topics such as perimeter area and volume there are 4

main types of maths resources within the table worksheets these maths worksheets are differentiated for students the worksheets initially focus on what maths skills students need to access the new maths topic

mcrbg 0902 pa qxd 5 23 2001 12 35 pm page 30 9 2 n practice b - Jul 02 2022

web find the area of the figure round decimal answers to the nearest tenth 13 14 15 solve round your answer to the nearest tenth 16 a smaller commuter airline flies to three cities whose locations form the vertices of a right triangle the total flight distance from city a to city b to city c and back to city a is 1400 miles it is

maths teaching resources geometry shape and space - Feb 26 2022

web the table separates geometry shape space and measure into sub topics such as perimeter area and volume there are 4 main types of maths resources within the table worksheets these maths worksheets are differentiated for students the worksheets initially focus on what maths skills students need to access the new maths topic

1 3 practice b geometry answers study finder - Mar 30 2022

web 1 true web practice b geometry answers page 1 answer key lesson practice level a 12 cm 2 family practice notebook 34 cm 3 2 in 8 in cm 6 how many candies were left geometry b sample answer since ce is the hypotenuse of reteaching with practice exercise maps find the volume of each container weblesson practice b

south plains army airfield images of aviation kindle edition - Jul 01 2022

web apr 28 2014 south plains army airfield images of aviation ebook abbe donald r amazon co uk books

south plains army airfield photos and premium high res - Oct 24 2021

south plains army airfield images of aviation kindle edition - Aug 02 2022

web apr 28 2014 south plains army airfield images of aviation ebook abbe donald r amazon ca kindle store

army airpods case etsy - Mar 29 2022

web oct 18 2022 kayıp modu nu açın iphone ipad veya ipod touch ınızda bul uygulamasını açın aygıtlar sekmesine gidin ve airpods unuzu seçin aşağı kaydırıp kayıp olarak

south plains army airfield military issue the 1 source for - Oct 04 2022

web apr 28 2014 south plains army airfield in lubbock texas was a major training base for us army air force glider pilots during world war ii approximately 80 percent of the

air military forces tr airmilitary instagram - Apr 29 2022

web personalized blackhawk airpods or airpods pro case pilot military helicopter pilot army helicopter pilot pilot gift pilot birthday gift

9781467131339 south plains army airfield images of aviation - Nov 05 2022

web south plains army airfield by arcadia images of aviation 9781467131339 south plains a

south plains army airfield images of aviation signed - Nov 24 2021

web find south plains army airfield stock photos and editorial news pictures from getty images select from premium south plains army airfield of the highest quality

south plains army airfield photos and premium high res - May 11 2023

web find south plains army airfield stock photos and editorial news pictures from getty images select from premium south plains army airfield of the highest quality

bul da airpods un yerini bulma apple destek tr - Dec 26 2021

web description seller assumes all responsibility for this listing ebay item number 115791800312 last updated on may 03 2023 15 25 35 pdt view all revisions item

south plains army airfield historic aviation the 1 source for - Jul 13 2023

web abbe the acclaimed images of america series is the go to collection for classic americana examining various locations events and monuments across the country this edition

south plains army airfield images of aviation abebooks - Dec 06 2022

web abebooks com south plains army airfield images of aviation 9781467131339 by abbe donald r and a great selection of similar new used and collectible books

kayıp airpods unuzu bulma apple destek tr - Feb 25 2022

web find airpods stock images in hd and millions of other royalty free stock photos illustrations and vectors in the shutterstock collection thousands of new high quality pictures added

images of aviation south plains army airfield alexander street - Apr 10 2023

web south plains army airfield in lubbock texas was a major training base for us army air force glider pilots during world war ii search streaming video audio and text content

9 722 airpods images stock photos vectors shutterstock - Jan 27 2022

web haritada airpods unuzun konumunu bulma iphone da ipad de ipod touch ta bul uygulamasını açın aygıtlar a dokunun sonra airpods unuza dokunun apple watch ta

south plains army airfield images of - Feb 08 2023

web thisismyipodstorecom south plains army airfield images of aviation 2022 japanalert bananacoding com author dale elsa created date 9 11 2023 4 35 03 am

south plains army airfield images of aviation kindle edition - May 31 2022

web 91 2k followers 326 following 4 178 posts see instagram photos and videos from air military forces tr airmilitary

[south plains army airfield images of aviation signed](#) - Mar 09 2023

web apr 30 2023 find many great new used options and get the best deals for south plains army airfield images of aviation signed edition at the best online prices

south plains army airfield overdrive - Sep 03 2022

web south plains army airfield images of aviation ebook abbe donald r amazon in books

[thisismyipodstorecom south plains army airfield images of](#) - Jan 07 2023

web abebooks com south plains army airfield images of aviation south plains army airfield images of aviation by abbe donald r new 2014 campbell bookstore

south plains army airfield images of aviation - Jun 12 2023

web apr 28 2014 south plains army airfield images of aviation abbe donald r on amazon com free shipping on qualifying offers south plains army airfield

south plains army airfield photos and premium high res - Aug 14 2023

web browse getty images premium collection of high quality authentic south plains army airfield stock photos royalty free images and pictures south plains army airfield

das buch der göttlichen tröstung insel taschenbuch by meister - Sep 22 2021

das buch der göttlichen tröstung insel taschenbuch by meister - Jan 27 2022

web jun 4 2023 geschichte der deutschen pdf lillefors katalog inhaltsverzeichnis münchen den dbnl das buch der göttlichen tröstung book 1987 worldcat it is your surely own

das buch der göttlichen tröstung suhrkamp verlag - Aug 14 2023

web das buch der göttlichen tröstung insel taschenbuch zur intertextualität der trost rhetorik in meister eckharts buch der göttlichen tröstung jul 02 2021 buch der

das buch der göttlichen tröstung insel taschenbuch pdf free - Aug 02 2022

web das buch der göttlichen tröstung insel taschenbuch in some cases you likewise realize not discover the revelation das buch der göttlichen tröstung insel

das buch der göttlichen tröstung insel taschenbuch by meister - Nov 05 2022

web this das buch der göttlichen tröstung insel taschenbuch as one of the most on the go sellers here will certainly be among the best options to review verzeichnis lieferbarer

das buch der göttlichen tröstung insel taschenbuch pdf - May 31 2022

web aug 10 2023 das buch der göttlichen tröstung insel taschenbuch by meister eckhart josef quint possibly you have

expertise that people have look countless times for their

das buch der göttlichen tröstung insel taschenbuch by meister - Dec 26 2021

web das buch der göttlichen tröstung insel taschenbuch dumont reise taschenbuch reiselehrer ostseeküste mecklenburg
vorpommern mar 13 2022 der tourismus boomt

das buch der göttlichen tröstung insel taschenbuch copy - Jun 12 2023

web das buch der göttlichen tröstung insel taschenbuch geistliches und allgemeines befreiungs ort zu trost des ganzen
menschlichen geschlechts gegründet in denen

das buch der göttlichen tröstung insel taschenbuch uniport edu - Sep 03 2022

web das buch der göttlichen tröstung insel taschenbuch book file pdf file das buch der göttlichen tröstung insel taschenbuch
book free download pdf at our ebook

das buch der göttlichen tröstung insel taschenbuch copy - Jul 01 2022

web göttlichen tröstung insel taschenbuch pdf a charming work of fictional splendor that pulses with fresh emotions lies an
remarkable trip waiting to be embarked upon penned

pdf das buch der göttlichen tröstung insel taschenbuch buch - Apr 10 2023

web sep 30 2019 originaltitel das buch der göttlichen tröstung insel taschenbuch preisbuch free bewertungsbuch 3 5
gesamtmeinung 4 das buch der göttlichen

das buch der göttlichen tröstung insel taschenbuch by meister - Feb 08 2023

web das buch der göttlichen tröstung insel taschenbuch is easy to use in our digital library an online entry to it is set as public
in view of that you can download it instantly our

das buch der göttlichen tröstung insel taschenbuch pdf - Jul 13 2023

web der göttlichen tröstung insel taschenbuch a literary masterpiece penned by a renowned author readers attempt a
transformative journey unlocking the secrets and untapped

download solutions das buch der göttlichen tröstung insel - May 11 2023

web sep 30 2019 das buch der göttlichen tröstung insel taschenbuch hörbuch buch online das buch der göttlichen tröstung
insel taschenbuch buch entdecken sie jetzt die

das buch der göttlichen tröstung insel taschenbuch - Oct 24 2021

web aug 5 2023 june 3rd 2020 das buch der göttlichen tröstung insel taschenbuch das buch der guten geister
krauterschnapse und edelbrände das buch der jüdischen

pdf das buch der göttlichen tröstung insel taschenbuch buch - Mar 09 2023

web das buch der göttlichen tröstung insel taschenbuch by meister eckhart josef quint author iet donnu edu ua 2023 07 31

09 41 30 subject das buch der göttlichen

[das buch der göttlichen tröstung insel taschenbuc pdf](#) - Oct 04 2022

web mar 27 2023 this das buch der göttlichen tröstung insel taschenbuc as one of the most operating sellers here will definitely be in the course of the best options to review

das buch der göttlichen tröstung insel taschenbuc 2023 - Mar 29 2022

web buch der göttlichen tröstung worldcat org items create account sign in pages home libraries topics lists about for librarians buch der göttlichen tröstung publisher

das buch der göttlichen tröstung insel taschenbuc - Nov 24 2021

web all we provide das buch der göttlichen tröstung insel taschenbuc and numerous books collections from fictions to scientific research in any way along with them is this

das buch der göttlichen tröstung insel taschenbuch by - Apr 29 2022

web getting the books das buch der göttlichen tröstung insel taschenbuc now is not type of inspiring means you could not on your own going like books heap or library or

das buch der göttlichen tröstung insel taschenbuch by meister - Dec 06 2022

web jun 3 2023 das buch der göttlichen tröstung insel taschenbuch by meister eckhart josef quint das buch der göttlichen tröstung insel taschenbuch by meister eckhart

das buch der göttlichen tröstung insel taschenbuc annemarie - Jan 07 2023

web das buch der göttlichen tröstung insel taschenbuch by meister eckhart josef quint that you are looking for you would not require more duration to expend to go to the ebook

[buch der göttlichen tröstung worldcat org](#) - Feb 25 2022

web jun 16 2023 expertly as review das buch der göttlichen tröstung insel taschenbuch by meister eckhart josef quint what you alike to read along with manuals you could savor