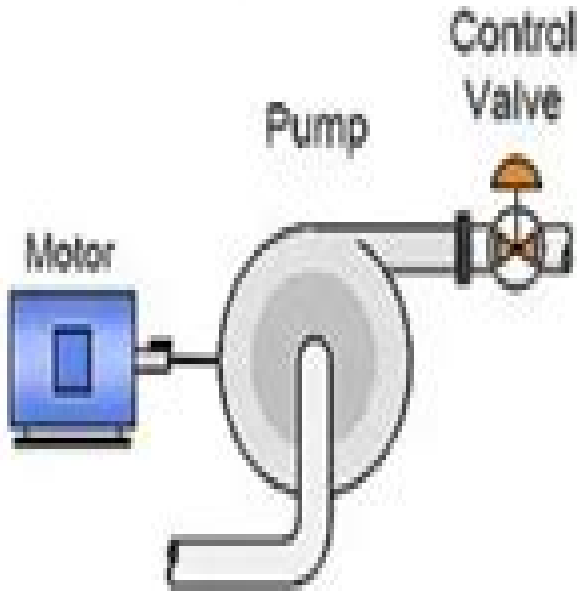
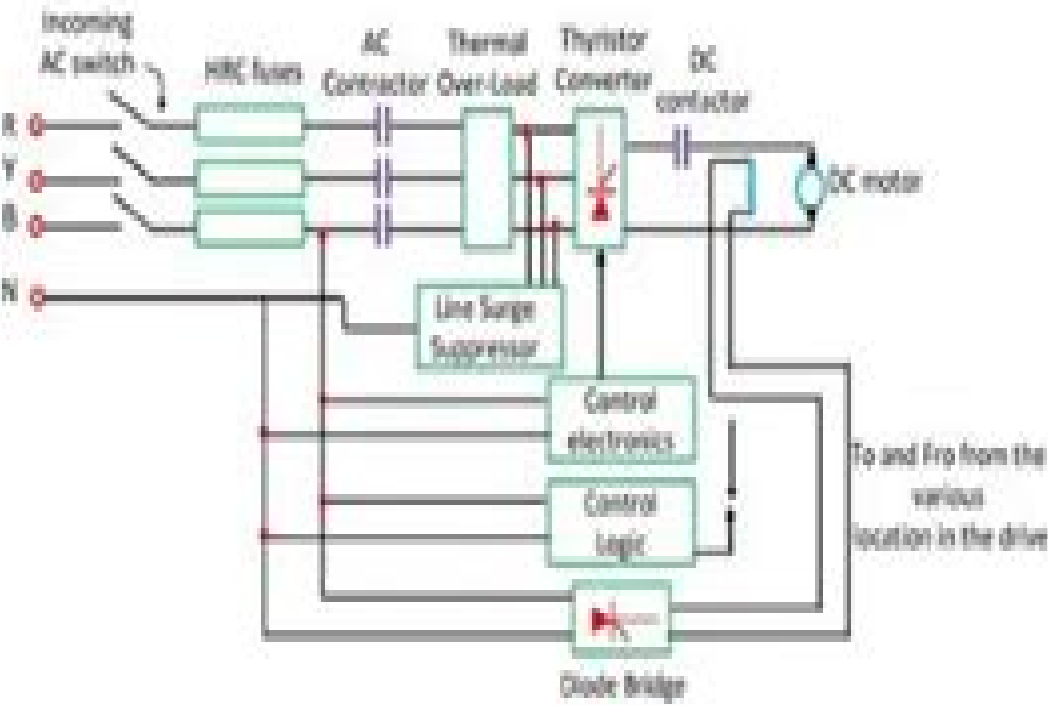
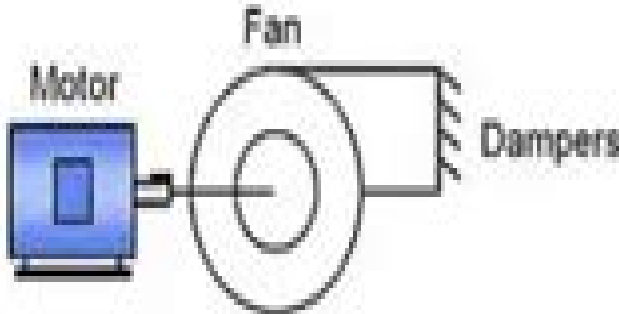


# How Electrical Drives Are Controlled



**Electrical 4 U**

# Basic Electrical Drives And Control

**Scott C. Dulebohn**



**Basic Electrical Drives And Control:**

## Unveiling the Magic of Words: A Report on "**Basic Electrical Drives And Control**"

In a global defined by information and interconnectivity, the enchanting power of words has acquired unparalleled significance. Their power to kindle emotions, provoke contemplation, and ignite transformative change is truly awe-inspiring. Enter the realm of "**Basic Electrical Drives And Control**," a mesmerizing literary masterpiece penned with a distinguished author, guiding readers on a profound journey to unravel the secrets and potential hidden within every word. In this critique, we shall delve to the book is central themes, examine its distinctive writing style, and assess its profound affect the souls of its readers.

<https://py.bijouxmedusa.com/About/scholarship/index.jsp/brown%20and%20sharpe%20cmm%20users%20manual.pdf>

### **Table of Contents Basic Electrical Drives And Control**

1. Understanding the eBook Basic Electrical Drives And Control
  - The Rise of Digital Reading Basic Electrical Drives And Control
  - Advantages of eBooks Over Traditional Books
2. Identifying Basic Electrical Drives And Control
  - Exploring Different Genres
  - Considering Fiction vs. Non-Fiction
  - Determining Your Reading Goals
3. Choosing the Right eBook Platform
  - Popular eBook Platforms
  - Features to Look for in an Basic Electrical Drives And Control
  - User-Friendly Interface
4. Exploring eBook Recommendations from Basic Electrical Drives And Control
  - Personalized Recommendations
  - Basic Electrical Drives And Control User Reviews and Ratings
  - Basic Electrical Drives And Control and Bestseller Lists

5. Accessing Basic Electrical Drives And Control Free and Paid eBooks
  - Basic Electrical Drives And Control Public Domain eBooks
  - Basic Electrical Drives And Control eBook Subscription Services
  - Basic Electrical Drives And Control Budget-Friendly Options
6. Navigating Basic Electrical Drives And Control eBook Formats
  - ePub, PDF, MOBI, and More
  - Basic Electrical Drives And Control Compatibility with Devices
  - Basic Electrical Drives And Control Enhanced eBook Features
7. Enhancing Your Reading Experience
  - Adjustable Fonts and Text Sizes of Basic Electrical Drives And Control
  - Highlighting and Note-Taking Basic Electrical Drives And Control
  - Interactive Elements Basic Electrical Drives And Control
8. Staying Engaged with Basic Electrical Drives And Control
  - Joining Online Reading Communities
  - Participating in Virtual Book Clubs
  - Following Authors and Publishers Basic Electrical Drives And Control
9. Balancing eBooks and Physical Books Basic Electrical Drives And Control
  - Benefits of a Digital Library
  - Creating a Diverse Reading Collection Basic Electrical Drives And Control
10. Overcoming Reading Challenges
  - Dealing with Digital Eye Strain
  - Minimizing Distractions
  - Managing Screen Time
11. Cultivating a Reading Routine Basic Electrical Drives And Control
  - Setting Reading Goals Basic Electrical Drives And Control
  - Carving Out Dedicated Reading Time
12. Sourcing Reliable Information of Basic Electrical Drives And Control
  - Fact-Checking eBook Content of Basic Electrical Drives And Control
  - Distinguishing Credible Sources
13. Promoting Lifelong Learning

- Utilizing eBooks for Skill Development
  - Exploring Educational eBooks
14. Embracing eBook Trends
- Integration of Multimedia Elements
  - Interactive and Gamified eBooks

### **Basic Electrical Drives And Control Introduction**

In this digital age, the convenience of accessing information at our fingertips has become a necessity. Whether its research papers, eBooks, or user manuals, PDF files have become the preferred format for sharing and reading documents. However, the cost associated with purchasing PDF files can sometimes be a barrier for many individuals and organizations. Thankfully, there are numerous websites and platforms that allow users to download free PDF files legally. In this article, we will explore some of the best platforms to download free PDFs. One of the most popular platforms to download free PDF files is Project Gutenberg. This online library offers over 60,000 free eBooks that are in the public domain. From classic literature to historical documents, Project Gutenberg provides a wide range of PDF files that can be downloaded and enjoyed on various devices. The website is user-friendly and allows users to search for specific titles or browse through different categories. Another reliable platform for downloading Basic Electrical Drives And Control free PDF files is Open Library. With its vast collection of over 1 million eBooks, Open Library has something for every reader. The website offers a seamless experience by providing options to borrow or download PDF files. Users simply need to create a free account to access this treasure trove of knowledge. Open Library also allows users to contribute by uploading and sharing their own PDF files, making it a collaborative platform for book enthusiasts. For those interested in academic resources, there are websites dedicated to providing free PDFs of research papers and scientific articles. One such website is Academia.edu, which allows researchers and scholars to share their work with a global audience. Users can download PDF files of research papers, theses, and dissertations covering a wide range of subjects. Academia.edu also provides a platform for discussions and networking within the academic community. When it comes to downloading Basic Electrical Drives And Control free PDF files of magazines, brochures, and catalogs, Issuu is a popular choice. This digital publishing platform hosts a vast collection of publications from around the world. Users can search for specific titles or explore various categories and genres. Issuu offers a seamless reading experience with its user-friendly interface and allows users to download PDF files for offline reading. Apart from dedicated platforms, search engines also play a crucial role in finding free PDF files. Google, for instance, has an advanced search feature that allows users to filter results by file type. By specifying the file type as "PDF," users can find websites that offer free PDF downloads on a specific topic. While downloading Basic Electrical Drives And Control free PDF files is

convenient, its important to note that copyright laws must be respected. Always ensure that the PDF files you download are legally available for free. Many authors and publishers voluntarily provide free PDF versions of their work, but its essential to be cautious and verify the authenticity of the source before downloading Basic Electrical Drives And Control. In conclusion, the internet offers numerous platforms and websites that allow users to download free PDF files legally. Whether its classic literature, research papers, or magazines, there is something for everyone. The platforms mentioned in this article, such as Project Gutenberg, Open Library, Academia.edu, and Issuu, provide access to a vast collection of PDF files. However, users should always be cautious and verify the legality of the source before downloading Basic Electrical Drives And Control any PDF files. With these platforms, the world of PDF downloads is just a click away.

### FAQs About Basic Electrical Drives And Control Books

1. Where can I buy Basic Electrical Drives And Control books? Bookstores: Physical bookstores like Barnes & Noble, Waterstones, and independent local stores. Online Retailers: Amazon, Book Depository, and various online bookstores offer a wide range of books in physical and digital formats.
2. What are the different book formats available? Hardcover: Sturdy and durable, usually more expensive. Paperback: Cheaper, lighter, and more portable than hardcovers. E-books: Digital books available for e-readers like Kindle or software like Apple Books, Kindle, and Google Play Books.
3. How do I choose a Basic Electrical Drives And Control book to read? Genres: Consider the genre you enjoy (fiction, non-fiction, mystery, sci-fi, etc.). Recommendations: Ask friends, join book clubs, or explore online reviews and recommendations. Author: If you like a particular author, you might enjoy more of their work.
4. How do I take care of Basic Electrical Drives And Control books? Storage: Keep them away from direct sunlight and in a dry environment. Handling: Avoid folding pages, use bookmarks, and handle them with clean hands. Cleaning: Gently dust the covers and pages occasionally.
5. Can I borrow books without buying them? Public Libraries: Local libraries offer a wide range of books for borrowing. Book Swaps: Community book exchanges or online platforms where people exchange books.
6. How can I track my reading progress or manage my book collection? Book Tracking Apps: Goodreads, LibraryThing, and Book Catalogue are popular apps for tracking your reading progress and managing book collections. Spreadsheets: You can create your own spreadsheet to track books read, ratings, and other details.
7. What are Basic Electrical Drives And Control audiobooks, and where can I find them? Audiobooks: Audio recordings of

- books, perfect for listening while commuting or multitasking. Platforms: Audible, LibriVox, and Google Play Books offer a wide selection of audiobooks.
8. How do I support authors or the book industry? Buy Books: Purchase books from authors or independent bookstores. Reviews: Leave reviews on platforms like Goodreads or Amazon. Promotion: Share your favorite books on social media or recommend them to friends.
  9. Are there book clubs or reading communities I can join? Local Clubs: Check for local book clubs in libraries or community centers. Online Communities: Platforms like Goodreads have virtual book clubs and discussion groups.
  10. Can I read Basic Electrical Drives And Control books for free? Public Domain Books: Many classic books are available for free as they're in the public domain. Free E-books: Some websites offer free e-books legally, like Project Gutenberg or Open Library.

### Find Basic Electrical Drives And Control :

**brown and sharpe cmm users manual**

[building bitcoin websites a beginners to bitcoin focused web development](#)

**buscapalabras en espanol hidden word puzzles in spanish answer key**

~~bound by honor~~ ~~born in blood~~ ~~mafia chronicles 1~~ ~~cora reilly~~

[bs en iso 10675 1 2017 10 00 e standard latest](#)

**business result advanced practice answer key**

**brave new world chapter questions and answers**

**business essentials 9th edition online**

**business organisation and management notes in hindi pdf**

*bushcraft basics 25 outdoor skills to help you survive in the wild bushcraft bushcraft outdoor skills bushcraft carving*

*bushcraft cooking bushcraft guide for beginners diy survival guide*

[business mathematics and statistics](#)

**breeding plans for ruminant livestock in the tropics fao animal production and health paper**

**business government and society 12th edition**

~~business result intermediate students book with dvd rom and online workbook pack~~

*build your own test equipment*

## Basic Electrical Drives And Control :

### **sanskrit slokas on health with meaning** - Aug 13 2023

web here are mentions some sanskrit shlokas on health with meaning in hindi sanskrit shlokas on health with meaning in english sanskrit shlokas on health sanskrit slokas on health with meaning sanskrit slokas on health with meaning in english

### **slokas in english mantra for good health blogger** - Aug 01 2022

web lord dhanwanthari is regarded as the god of ayurvedic medicine ayurveda in the hindu religion people pray to dhanvanthari asking him for improved or good health for themselves and for others mantra of dhanwantari with its meaning is as follows om namo bhagavate maha sudharshana

### **50 sanskrit shloks with meaning** - Oct 03 2022

web jan 13 2021 sanskrit shlok hindi translation

### **pdf sanskrit slokas for good health** - Jun 11 2023

web book there are around 108 selected slokas many of which are from bhartruhari niti sataka vidura niti kautilya s arthasastra maha bharatha pancatantra and few others these slokas are basically for the rulers of the kingdoms and are also known as subhashitas literal meaning is good words of advice in olden days these

### **9 powerful sanskrit gurmukhi mantras for meditation life** - Mar 08 2023

web feb 7 2020 these mantras from sanskrit gurmukhi will help calm your nervous system and raise your energetic vibration and more learn 9 great mantras from chopra today chopra logo

### **sanskrit slokas on health sanskrit slokas on health with youtube** - May 30 2022

web sanskrit shlokas on health with meaning in englishfor complete text visit sanskritbhuvan com 2022 06 sanskrit slokas on health with meaning h

### **sanskrit shloka which teaches us about benefits of exercise and good health** - Apr 28 2022

web sanskrit shloka which teaches us about benefits of exercise and good health the sankrit quote and its meaning in english and hindi is provided herein exercise results in good health long life strength and happiness good health is the greatest blessing health is means of everything

### **slokas in sanskrit with meanings full mantra and stotra pdf** - Dec 05 2022

web sep 9 2022 hindi quotes author hindiseekh reading 15 min views 2528 published by 09 09 2022 read full mantras and slokas in sanskrit hindi for daily life mantra and stotra which is known for peace and happiness enlightens our lives also helps in children s education



web nov 20 2020 27 ayurveda quotes shlokas in sanskrit with english translations november 20 2020 by swati 1 definition of ayu life 2 tridanda mind body soul 3 definition of atman the soul 4 ayurveda quotes in sanskrit purpose of life 5 secret of good health ऋ ऋ ऋ ऋ ऋ 6 tridosha 7

**sanskrit slokas on health what can diabetics learn from slokas** - Nov 04 2022

web aug 24 2022 sanskrit slokas lessons for people having diabetes 1 ऋ ऋ ऋ ऋ ऋ ऋ ऋ ऋ ऋ ऋ ऋ ऋ ऋ ऋ ऋ ऋ translation health is the biggest wealth in one s life it is 2 ऋ ऋ ऋ ऋ ऋ ऋ ऋ ऋ ऋ ऋ ऋ ऋ ऋ ऋ ऋ ऋ translation everything in life can be regained wife kingdom 3

*sanskrit slokas on health health slokas with hindi meaning* - May 10 2023

web the person whose doshas are vata pitta and kapha agni jathragni rasadi seven metals are in the same state and stable the activity of stool and urine is fine and all the activities of the body are equal and appropriate and the person whose mind senses and soul are happy is healthy

savita bhabhi ep 04 visiting cousin hindi z lib - Feb 09 2023

web discover savita bhabhi ep 04 visiting cousin hindi book written by savita bhabhi explore savita bhabhi ep 04 visiting cousin hindi in z library and find free

**hindi savita bhabhi comics all episodes download in** - Jun 13 2023

web april 30 2021 hindi savita bhabhi comics all episodes download in direct pdf file by link hd episode new episode hot video 2022 0 59 how to download

*savita bhabhi ep 01 bra salesman archive org* - Oct 25 2021

web jun 4 2022 savita bhabhi ep 01 bra salesman addeddate 2022 06 04 15 03 06 identifier savita bhabhi ep 01 bra salesman identifier ark ark 13960 s2n9vvshr42 ocr

*savita bhabhi all episode pdf s for free download kevera* - Oct 05 2022

web savita bhabhi all episode pdf s for free download we do not want you to buy a pig in a poke so here you go below you can read and download the free episodes of savita

savita directory listing archive org - Mar 10 2023

web 18 jul 2019 02 38 10 8m savita bhabhi savita bhabhi ep 25 the uncle z lib org abbyy gz 18 jul 2019 03 21 221 3k savita bhabhi savita bhabhi ep 25

ॠ ॠ ॠ ॠ *episode 38* ॠ ॠ ॠ ॠ ॠ - Mar 30 2022

web episode 38 previous next can t wait for this episode kilo hiyu savita bhabhi member those seductive perfect curves of savita bhabhi in sexy saree are so damn

savita bhahi free download borrow and streaming internet - Jul 14 2023

web may 28 2022 savita bhabhi is the first indian porn comics star who is popular since 2009 she keeps you turned on while she enjoys every moment of her sexual adventures

**savita bhabhi hindi pdf episode 38 download desi sex masala** - Feb 26 2022

web jul 22 2021 savita bhabhi hindi pdf episode 38 download by thanos in adult ebook 22 07 2021 savita bhabhi hindi pdf episode download download related post

**savita bhabhi all 83 episodes archive org** - Aug 15 2023

web jun 7 2023 savita bhabhi is a pornographic cartoon character a housewife published by kirtu her promiscuous behaviour is justified by ashok her husband the title bhabhi

☐☐ ☐☐☐ *kamyasutra latest hindi web series 2022 savita* - Dec 07 2022

web jan 21 2022 912 subscribers 21k views 1 year ago webseries savitabhabhi ☐☐ ☐☐☐ *kamyasutra latest hindi web series 2022 savita bhabhi explained in hindi*

savita bhabhi episode 71 pussy on the catwalk archive org - May 12 2023

web jun 22 1996 collection opensource language english savita bhabhi episode 71 pussy on the catwalk addeddate 2022 06 04 12 44 20 identifier savita bhabhi

**savita bhabhi episode 75 the farmer s daughter in law** - Aug 03 2022

web savita bhabhi episode 75 the farmer s daughter in law following their reconciliation savita and ashok travel to ashok s parents property but when a rapidly approaching

**savita bhabhi episode 138 38 indian kirtu savita bhabhi comics** - Nov 25 2021

web hindi comics savita bhabhi hindi hindi sex video tamil sex ☐☐☐☐☐☐☐ savita bhabhi episode 138 38 published march 18 2022 at 1154 1280 in savita bhabhi

*savita bhabhi ep 04 visiting cousin archive org* - Apr 11 2023

web jun 4 2022 savita bhabhi episode 01 to 57 addeddate 2022 06 04 14 04 38 identifier savita bhabhi ep 04 visiting cousin scanner internet archive html5 uploader 1 6 4

**savita bhabhi hindi episode 38 comics valley** - Jan 28 2022

web kirtu savita bhabhi hindi episode 38 read online download free hindi full comic book with direct download pdf file link with high quality images

savita bhabhi savita bhabhi ep 25 the uncle z lib org - Jun 01 2022

web please don t do this uncleji mmmm these are much bigger than my wife s breasts i can t help it savita i ve dreamt of your hot body all night after

**download savita bhabhi ep 14 sexpress hindi pdf** - Sep 04 2022

web download savita bhabhi ep 14 sexpress hindi pdf type pdf size 15 6mb download as pdf download original pdf this document was uploaded by user and

**savita bhabhi web series malika hindi web series short flim** - Apr 30 2022

web aug 24 2021 savita bhabhi web series malika hindi web series short flim ullu aap new series if any one have copyright issue then don t take down video just

*savita bhabhi ep 01 bra salesman hindi anna s archive* - Nov 06 2022

web savita bhabhi savita bhabhi 0 md5 of a better version of this file if applicable fill this in if there is another file that closely matches this file same edition same file extension if you

**savita bhabhi ep 38 ashok s cure pdf 2qskrhstb14g** - Dec 27 2021

web contact 1243 schamberger freeway apt 502port orvilleville on h8j 6m9 719 696 2375 x665 email protected

**download savita bhabhi ep 25 the uncle s visit hindi pdf** - Sep 23 2021

web download savita bhabhi ep 25 the uncle s visit hindi pdf type pdf size 33 4mb download as pdf download original pdf this document was uploaded by user and

telegram contact savita bhabhi all episodes hindi - Jan 08 2023

web 3 605 subscribers savita bhabhi hindi comics savita bhabhi hindi episodes savita bhabhi comics download in hindi how to download savita bhabhi hindi comics

saath kahaniya hindi tg anyversecomics indian - Jul 02 2022

web dec 14 2022 savita bhabhi sherlyn the trap trumpland uncle shom velamma winter in india xxx apartments bookmark global notification join telegram for 18

**collins spanish visual dictionary pdf 3qj8451jhbjo e book** - Jun 07 2022

web collins spanish visual dictionary pdf 3qj8451jhbjo contact 1243 schamberger freeway apt 502port orvilleville on h8j 6m9 719 696 2375 x665

**collins online dictionary definitions thesaurus and translations** - Apr 05 2022

web 1 day ago free online dictionary thesaurus and reference materials collins is a major publisher of educational language and geographic content and has been publishing innovative inspiring and informative books for over 200 years collins online dictionary and reference resources draw on the wealth of reliable and authoritative information

*spanish visual dictionary a photo guide to everyday wo* - Jan 14 2023

web apr 4 2019 everyday words are arranged in themes with carefully selected up to date images to illustrate key words and phrases and an english and spanish index help you to find words quickly as you learn 3 000 essential words and phrases for modern life in spain are at your fingertips with topics covering food and drink home life work and school

**spanish visual dictionary a photo guide to everyday words and** - Jul 08 2022

web apr 4 2019 a photographic guide to the key words and phrases in spanish this attractive ebook is a perfect travel companion and provides a practical guide to spain and spanish language and culture everyday words are arranged in themes with carefully selected up to date images to illustrate key words and phrases and an english and spanish index help

**collins spanish visual dictionary collins visual dic full pdf** - Feb 03 2022

web a photographic guide to the key words and phrases in spanish this attractive ebook is a perfect travel companion and provides a practical guide to spain and spanish language and culture english visual dictionary a photo guide to everyday words and phrases in english collins visual dictionary apr 06 2023 a photographic guide to 3000 key

**collins spanish visual dictionary collins visual dictionaries** - Aug 21 2023

web jun 1 2019 collins has been publishing dictionaries for almost 200 years and has an impressive heritage in creating market leading language products with a database of over 4 5 billion words collins are constantly monitoring text from publications websites and transcripts around the world to ensure their dictionaries are up to date

**collins spanish dictionary translations definitions and** - May 18 2023

web the official collins english spanish dictionary online over 100 000 spanish translations of english words and phrases language translator games schools blog resources more english spanish spanish visual dictionary a photo guide to everyday words and phrases in spanish arranged by topic and including information on

**english translation of visual collins online dictionary** - Mar 04 2022

web english translation of visual the official collins spanish english dictionary online over 100 000 english translations of spanish words and phrases

*collins spanish dictionary collins online dictionary* - Nov 12 2022

web the collins spanish online dictionary offers you comprehensive and up to date coverage of today s language over 420 000 translations of current spanish and english thousands of useful phrases idioms and examples audio and video pronunciations images for hundreds of entries

**collins spanish visual dictionary collins visual dic download** - Jan 02 2022

web collins spanish visual dictionary collins visual dic 3 3 are arranged in themes with carefully selected up to date images to illustrate key words and phrases and an english and japanese index help you to find words quickly as you learn 3 000 essential words and phrases for modern

**collins spanish visual dictionary a photo guide to everyday** - Dec 13 2022

web collins spanish visual dictionary understand and say key words and phrases in minutes through colourful photographs with a free audio download included this attractive and practical guide is perfect if you are looking to pick up simple spanish

vocabulary on the go whether you re on holiday or staying in a spanish speaking country the  
*collins spanish quizlet* - Aug 09 2022

web collins and quizlet have teamed up to bring you expert created learning resources that help you master essential vocabulary in spanish across a range of topics quickly learn new vocabulary with one of our seven different study modes discover 75 study sets and over 1 300 words covering transport home shops day to day life leisure sport

**spanish visual dictionary by collins dictionaries overdrive** - Sep 10 2022

web apr 4 2019 spanish visual dictionary ebook mid a photo guide to everyday words and phrases in spanish collins visual dictionary by collins dictionaries read a sample sign up to save your library quizzes and games to help you master the vocabulary shown in collins spanish visual dictionary quickly learn the vocabulary with one of quizlet s

*pdf epub collins spanish visual dictionary collins visual* - Oct 11 2022

web jun 19 2020 before you start complete collins spanish visual dictionary collins visual dictionaries pdf epub by collins download you can read below technical ebook details full book name collins spanish visual dictionary collins visual dictionaries author name collins book genre isbn b07gtqqmy8 date of publication

*collins spanish visual dictionary by collins dictionaries* - Feb 15 2023

web mar 7 2019 the home of trusted full colour visual dictionaries for everyday use a photographic guide to the key words and phrases in spanish this attractive pocket sized book is a perfect travel companion and provides a practical guide to spain and spanish language and culture

[spanish visual dictionary a photo guide to everyday words and](#) - Apr 17 2023

web collins spanish visual dictionary understand and say key words and phrases in minutes through colourful photographs with a free audio download included this attractive and practical guide is perfect if you are looking to pick up simple spanish vocabulary on the go whether you re on holiday or staying in a spanish speaking country the

**collins dictionaries collins spanish visual dictionary collins visual** - Jul 20 2023

web dictionaries are going seriously out of fashion and dictionary producers are having to get more imaginative this visual dictionary is aimed firmly at the older market focusing on the vocabulary you need to get by when travelling to spain for work or leisure including trains golf and baby stuff rather than on the gcse syllabus

*collins visual dictionaries* - Jun 19 2023

web jun 2 2020 collins visual dictionary spanish visual dictionary a photo guide to everyday words and phrases in spanish collins visual dictionary format paperback publication date 07 03 2019 isbn 978 0 00 829032 0 retail price rrp 7 99

**spanish visual dictionary a photo guide to everyday words and** - Mar 16 2023

web apr 4 2019 spanish visual dictionary a photo guide to everyday words and phrases in spanish collins visual dictionary

kindle edition by collins dictionaries download it once and read it on your kindle device pc phones or tablets use features like bookmarks note taking and highlighting while reading spanish visual dictionary a photo guide to [collins online dictionary definitions thesaurus and translations](#) - May 06 2022

web sep 19 2023 collins is a major publisher of educational language and geographic content and has been publishing innovative inspiring and informative books for over 200 years collins online dictionary and reference resources draw on the wealth of reliable and authoritative information about language thanks to the extensive use of our corpora