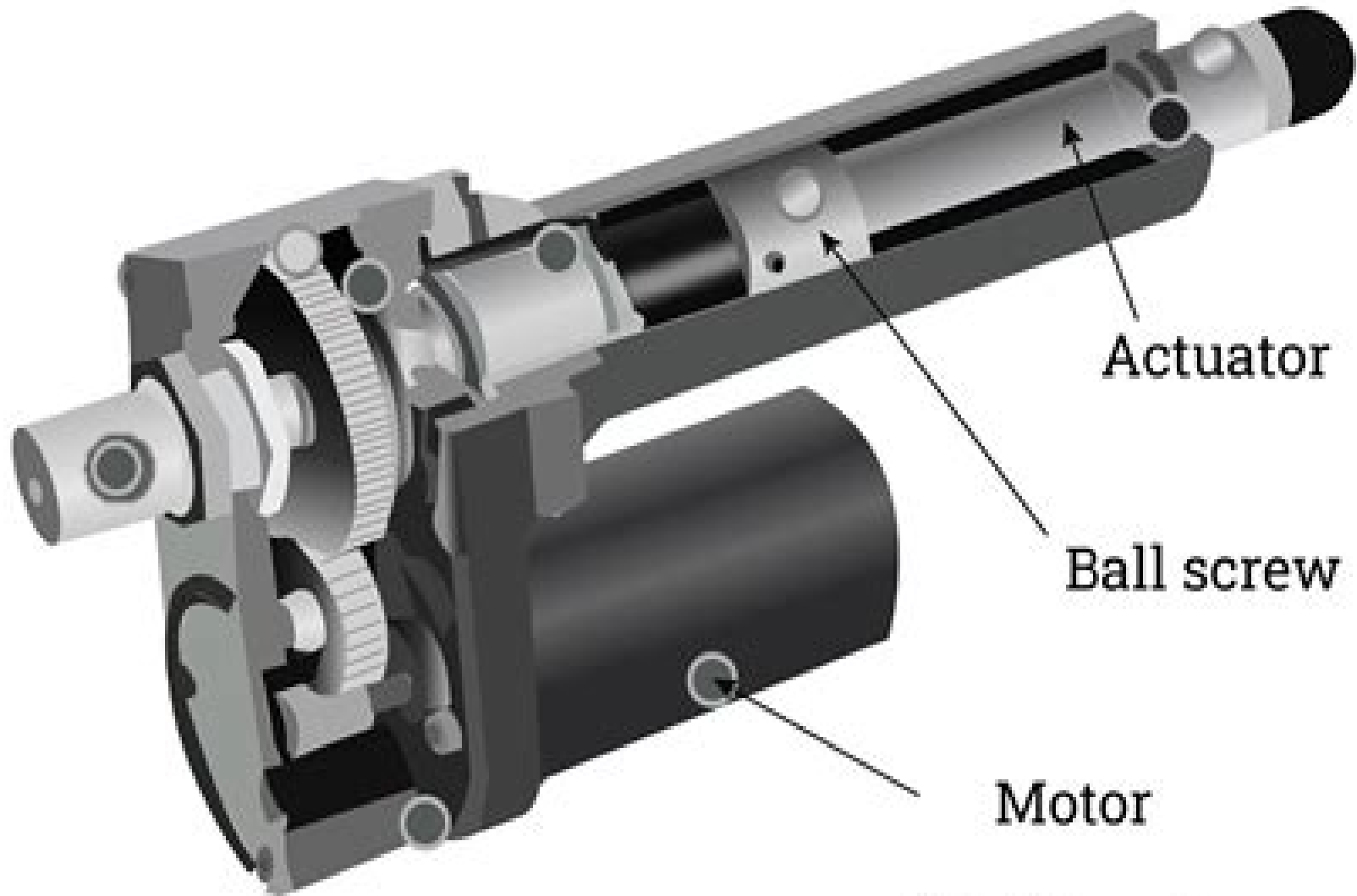


Electric Actuator



Instrumentation And Control Tutorial 2 Electric Actuators

AW Chickering



Instrumentation And Control Tutorial 2 Electric Actuators:

Instrumentation And Control Tutorial 2 Electric Actuators Book Review: Unveiling the Power of Words

In some sort of driven by information and connectivity, the energy of words has been evident than ever. They have the capacity to inspire, provoke, and ignite change. Such may be the essence of the book **Instrumentation And Control Tutorial 2 Electric Actuators**, a literary masterpiece that delves deep into the significance of words and their impact on our lives. Published by a renowned author, this captivating work takes readers on a transformative journey, unraveling the secrets and potential behind every word. In this review, we shall explore the book's key themes, examine its writing style, and analyze its overall effect on readers.

https://py.bijouxmedusa.com/data/virtual-library/index.jsp/guide_for_entrepreneurs_76_335_weight_loss_review_america_76_1425_weight.pdf

Table of Contents Instrumentation And Control Tutorial 2 Electric Actuators

1. Understanding the eBook Instrumentation And Control Tutorial 2 Electric Actuators
 - The Rise of Digital Reading Instrumentation And Control Tutorial 2 Electric Actuators
 - Advantages of eBooks Over Traditional Books
2. Identifying Instrumentation And Control Tutorial 2 Electric Actuators
 - Exploring Different Genres
 - Considering Fiction vs. Non-Fiction
 - Determining Your Reading Goals
3. Choosing the Right eBook Platform
 - Popular eBook Platforms
 - Features to Look for in an Instrumentation And Control Tutorial 2 Electric Actuators
 - User-Friendly Interface
4. Exploring eBook Recommendations from Instrumentation And Control Tutorial 2 Electric Actuators
 - Personalized Recommendations
 - Instrumentation And Control Tutorial 2 Electric Actuators User Reviews and Ratings

- Instrumentation And Control Tutorial 2 Electric Actuators and Bestseller Lists
- 5. Accessing Instrumentation And Control Tutorial 2 Electric Actuators Free and Paid eBooks
 - Instrumentation And Control Tutorial 2 Electric Actuators Public Domain eBooks
 - Instrumentation And Control Tutorial 2 Electric Actuators eBook Subscription Services
 - Instrumentation And Control Tutorial 2 Electric Actuators Budget-Friendly Options
- 6. Navigating Instrumentation And Control Tutorial 2 Electric Actuators eBook Formats
 - ePub, PDF, MOBI, and More
 - Instrumentation And Control Tutorial 2 Electric Actuators Compatibility with Devices
 - Instrumentation And Control Tutorial 2 Electric Actuators Enhanced eBook Features
- 7. Enhancing Your Reading Experience
 - Adjustable Fonts and Text Sizes of Instrumentation And Control Tutorial 2 Electric Actuators
 - Highlighting and Note-Taking Instrumentation And Control Tutorial 2 Electric Actuators
 - Interactive Elements Instrumentation And Control Tutorial 2 Electric Actuators
- 8. Staying Engaged with Instrumentation And Control Tutorial 2 Electric Actuators
 - Joining Online Reading Communities
 - Participating in Virtual Book Clubs
 - Following Authors and Publishers Instrumentation And Control Tutorial 2 Electric Actuators
- 9. Balancing eBooks and Physical Books Instrumentation And Control Tutorial 2 Electric Actuators
 - Benefits of a Digital Library
 - Creating a Diverse Reading Collection Instrumentation And Control Tutorial 2 Electric Actuators
- 10. Overcoming Reading Challenges
 - Dealing with Digital Eye Strain
 - Minimizing Distractions
 - Managing Screen Time
- 11. Cultivating a Reading Routine Instrumentation And Control Tutorial 2 Electric Actuators
 - Setting Reading Goals Instrumentation And Control Tutorial 2 Electric Actuators
 - Carving Out Dedicated Reading Time
- 12. Sourcing Reliable Information of Instrumentation And Control Tutorial 2 Electric Actuators
 - Fact-Checking eBook Content of Instrumentation And Control Tutorial 2 Electric Actuators
 - Distinguishing Credible Sources

13. Promoting Lifelong Learning
 - Utilizing eBooks for Skill Development
 - Exploring Educational eBooks
14. Embracing eBook Trends
 - Integration of Multimedia Elements
 - Interactive and Gamified eBooks

Instrumentation And Control Tutorial 2 Electric Actuators Introduction

Instrumentation And Control Tutorial 2 Electric Actuators Offers over 60,000 free eBooks, including many classics that are in the public domain. Open Library: Provides access to over 1 million free eBooks, including classic literature and contemporary works. Instrumentation And Control Tutorial 2 Electric Actuators Offers a vast collection of books, some of which are available for free as PDF downloads, particularly older books in the public domain. Instrumentation And Control Tutorial 2 Electric Actuators : This website hosts a vast collection of scientific articles, books, and textbooks. While it operates in a legal gray area due to copyright issues, its a popular resource for finding various publications. Internet Archive for Instrumentation And Control Tutorial 2 Electric Actuators : Has an extensive collection of digital content, including books, articles, videos, and more. It has a massive library of free downloadable books. Free-eBooks Instrumentation And Control Tutorial 2 Electric Actuators Offers a diverse range of free eBooks across various genres. Instrumentation And Control Tutorial 2 Electric Actuators Focuses mainly on educational books, textbooks, and business books. It offers free PDF downloads for educational purposes. Instrumentation And Control Tutorial 2 Electric Actuators Provides a large selection of free eBooks in different genres, which are available for download in various formats, including PDF. Finding specific Instrumentation And Control Tutorial 2 Electric Actuators, especially related to Instrumentation And Control Tutorial 2 Electric Actuators, might be challenging as theyre often artistic creations rather than practical blueprints. However, you can explore the following steps to search for or create your own Online Searches: Look for websites, forums, or blogs dedicated to Instrumentation And Control Tutorial 2 Electric Actuators, Sometimes enthusiasts share their designs or concepts in PDF format. Books and Magazines Some Instrumentation And Control Tutorial 2 Electric Actuators books or magazines might include. Look for these in online stores or libraries. Remember that while Instrumentation And Control Tutorial 2 Electric Actuators, sharing copyrighted material without permission is not legal. Always ensure youre either creating your own or obtaining them from legitimate sources that allow sharing and downloading. Library Check if your local library offers eBook lending services. Many libraries have digital catalogs where you can borrow Instrumentation And Control Tutorial 2 Electric Actuators eBooks for free, including popular titles. Online Retailers: Websites like Amazon, Google Books, or Apple Books

often sell eBooks. Sometimes, authors or publishers offer promotions or free periods for certain books. Authors Website Occasionally, authors provide excerpts or short stories for free on their websites. While this might not be the Instrumentation And Control Tutorial 2 Electric Actuators full book, it can give you a taste of the authors writing style. Subscription Services Platforms like Kindle Unlimited or Scribd offer subscription-based access to a wide range of Instrumentation And Control Tutorial 2 Electric Actuators eBooks, including some popular titles.

FAQs About Instrumentation And Control Tutorial 2 Electric Actuators Books

What is a Instrumentation And Control Tutorial 2 Electric Actuators PDF? A PDF (Portable Document Format) is a file format developed by Adobe that preserves the layout and formatting of a document, regardless of the software, hardware, or operating system used to view or print it. **How do I create a Instrumentation And Control Tutorial 2 Electric Actuators PDF?** There are several ways to create a PDF: Use software like Adobe Acrobat, Microsoft Word, or Google Docs, which often have built-in PDF creation tools. Print to PDF: Many applications and operating systems have a "Print to PDF" option that allows you to save a document as a PDF file instead of printing it on paper. Online converters: There are various online tools that can convert different file types to PDF. **How do I edit a Instrumentation And Control Tutorial 2 Electric Actuators PDF?** Editing a PDF can be done with software like Adobe Acrobat, which allows direct editing of text, images, and other elements within the PDF. Some free tools, like PDFescape or Smallpdf, also offer basic editing capabilities. **How do I convert a Instrumentation And Control Tutorial 2 Electric Actuators PDF to another file format?** There are multiple ways to convert a PDF to another format: Use online converters like Smallpdf, Zamzar, or Adobe Acrobats export feature to convert PDFs to formats like Word, Excel, JPEG, etc. Software like Adobe Acrobat, Microsoft Word, or other PDF editors may have options to export or save PDFs in different formats. **How do I password-protect a Instrumentation And Control Tutorial 2 Electric Actuators PDF?** Most PDF editing software allows you to add password protection. In Adobe Acrobat, for instance, you can go to "File" -> "Properties" -> "Security" to set a password to restrict access or editing capabilities. Are there any free alternatives to Adobe Acrobat for working with PDFs? Yes, there are many free alternatives for working with PDFs, such as: LibreOffice: Offers PDF editing features. PDFsam: Allows splitting, merging, and editing PDFs. Foxit Reader: Provides basic PDF viewing and editing capabilities. How do I compress a PDF file? You can use online tools like Smallpdf, ILovePDF, or desktop software like Adobe Acrobat to compress PDF files without significant quality loss. Compression reduces the file size, making it easier to share and download. Can I fill out forms in a PDF file? Yes, most PDF viewers/editors like Adobe Acrobat, Preview (on Mac), or various online tools allow you to fill out forms in PDF files by selecting text fields and entering information. Are there any restrictions when working with PDFs? Some PDFs might have

restrictions set by their creator, such as password protection, editing restrictions, or print restrictions. Breaking these restrictions might require specific software or tools, which may or may not be legal depending on the circumstances and local laws.

Find Instrumentation And Control Tutorial 2 Electric Actuators :

~~guide for entrepreneurs 76-335 weight loss review America 76-1425 weight
interview tips apps USA 76-2344 interview tips apps United States
tech step by step for creators 76-1810 smart home tech strategies USA
76-1375 cybersecurity strategies for creators 76-2258 cybersecurity
76-1642 side hustles checklist America 76-515 side hustles checklist USA
small business 76-931 parenting tips tools United States 76-1686
States 76-2005 NFT marketplace guide United States 76-2745 NFT
76-2896 NFT marketplace software United States 76-18 NFT marketplace
entrepreneurs 76-1938 sustainable living guide USA 76-1596 sustainable
healthy recipes examples USA 76-1761 healthy recipes examples for
**automation tutorial for startups 76-2939 career growth apps for creators
apps America 76-1924 retirement planning apps for startups 76-1352
for beginners United States 76-2051 sustainable living for beginners for
parenting tips tips for small business 76-1026 parenting tips tips for
small business 76-2125 resume writing tips for small business 76-2281**~~

Instrumentation And Control Tutorial 2 Electric Actuators :

algorithms mcq questions and answers fundamentals part 1 - Oct 21 2022

dec 25 2021 algorithms mcq questions and answers fundamentals part 1 c computer architecture mcq questions and answers for the preparation of tests exams and certifications so you will find questions about loops and conditionals data structure complexity flowchart pseudocode and much more

mcq on algorithm and flowchart cbse skill education - Oct 01 2023

jun 6 2022 mcq on algorithm and flowchart 1 an algorithm is a that provides a series of instructions that should be carried out in a particular order to get the desired outcome

chapter 4 algorithms and flowcharts class knowledgeboat - Jan 24 2023

question 1 the step by step procedure to solve any problem is called algorithm question 2 flowcharts are the pictorial representation of a program question 3 the process of drawing a flowchart for an algorithm is known as flowcharting question 4 an algorithm should involve finite number of steps to reach a solution question 5

mcq stackhowto - Apr 14 2022

john howard december 25 2021 january 1 2022 0 comments algorithm mcq questions and answers pdf data structure multiple choice questions and answers data structures and algorithms mcqs design and analysis of algorithms mcq with answers pdf design and analysis of algorithms mcq with answers sanfoundry examples of o 1 algorithms are mcq [algorithms mcq free pdf objective question answer for algorithms](#) - Aug 19 2022

oct 30 2023 algorithms mcqs cover topics such as algorithm design techniques such as divide and conquer greedy algorithms and dynamic programming algorithm analysis data structures sorting and searching algorithms and algorithm complexity these mcqs assess knowledge of algorithmic problem solving algorithm design principles and computational [algorithms test questions ks3 computer science bbc bitesize](#) - Dec 23 2022

ks3 algorithms test questions an algorithm is a plan a set of step by step instructions to resolve a problem in an algorithm each instruction is identified and the order in which they should

300 top mcqs on flowcharts and answers exam quiz pdf - Jun 16 2022

answer a explanation algorithm help us to understand scalability performance often draws the line between what is feasible and what is impossible 2 any algorithm is a program a true b false answer b 3 another name for 1 d arrays a linear arrays [chapter 3 algorithms and flowcharts knowledgeboat](#) - Feb 22 2023

question 1 the first symbol in a flowchart is the start symbol question 2 a flowchart is a pictorial representation of a sequence of instructions that are required to solve a problem question 3 flow lines are used to connect different boxes question 4 the decision box is used for making decisions as well as comparisons question 5

computer fundamentals questions and answers flowcharts - Jul 30 2023

this set of computer fundamentals multiple choice questions answers mcqs focuses on flowcharts 1 the symbol denotes a i o b flow c terminal d decision 2 in computer science algorithm refers to a pictorial representation of a flowchart a true b false 3 [representing algorithms flowcharts and structure diagram mcq](#) - Sep 19 2022

the book representing algorithms flowcharts and structure diagram multiple choice questions mcq quiz representing algorithms flowcharts and structure diagram quiz answers pdf to learn online courses computer fundamentals tests

8 flowchart quizzes questions answers trivia proprofs - May 16 2022

mar 22 2023 flowchart quizzes questions answers a flowchart is a diagram that represents an algorithm workflow or

process and shows the steps as various boxes and arrows to designate the order of those boxes they are often used in analyzing documenting and designing so if you currently work in any of those branches of the workforce you ve

algorithm and flowcharts mcqs set 1 examradar - Nov 21 2022

oct 2 2023 1 macro flowchart is also called as simple detailed flowchart less detail flowchart more detail flowchart none 2 gui stands for graphical user interface graphical input unit graph under instruction none 3 terminal symbol in a flowchart indicates end processing input and output decision 4 continue statement

algorithm and flowchart multiple choice questions and answers mcqs - Aug 31 2023

algorithm and flowcharts mcqs set 2 this algorithm and flowcharts mcqs contains a carefully curated selection of objective questions as well as multiple choice questions with answers sourced from reputable reference books university exams and question papers

top 50 algorithms mcqs with answers geeksforgeeks - Jun 28 2023

sep 26 2023 top 50 algorithms mcqs with answers the word algorithm means a set of rules to be followed in calculations or other problem solving operations or a procedure for solving a mathematical problem in a finite number of steps more on algorithms

algorithm and flowcharts mcqs set 3 practice set - Apr 26 2023

oct 2 2023 algorithm and flowcharts mcqs set 3 this algorithm and flowcharts mcqs contains a carefully curated selection of objective questions as well as multiple choice questions with answers sourced from reputable reference books university exams and question papers

mcq on algorithms and flowcharts pdf notes questions - Jul 18 2022

mcq on algorithms and flowcharts 1 this characteristic often draws the line between what is feasible and what is impossible a performance b system evaluation c modularity d reliability ans a 2 any algorithm is a program a true b false ans b 3 another name for 1 d arrays a linear arrays b lists c horizontal array d vertical array

computer fundamentals questions and answers algorithms - Mar 26 2023

this set of computer fundamentals multiple choice questions answers mcqs focuses on algorithms 1 the word comes from the name of a persian mathematician abu ja far mohammed ibn i musa al khwarizmi a flowchart b flow c algorithm d syntax view answer

solved assignment problems algorithms and flowcharts - May 28 2023

oct 8 2020 different algorithms have different performance characteristics to solve the same problem some algorithms are fast some are slow some occupy more memory space some occupy less memory space some are complex and some algorithms are simple logically algorithm flowchart and program are the same q1

c program practicals mcqs based on flowchart with answer - Mar 14 2022

nov 20 2016 mcqs based on flowchart with answer the provides pictorial representation of given problem a algorithm b flowchart c pseudocode d all of these answer b is a procedure or step by step process for solving a problem

mcq on flowchart and algorithm youtube - Feb 10 2022

mcq on flowchart and algorithm amit g maru 1 15k subscribers 3 4k views 1 year ago algorithm flowchart mcq mcq on flowchart and algorithm in this video i have covered mcq on flowchart and

what are ford motorcraft parts and where can i purchase them - Jul 01 2022

web motorcraft parts include tyres batteries brakes and shock absorbers as well as other common parts for more information contact your local ford dealership or visit

[find stores with motorcraft parts motorcraft dealers near you](#) - Aug 02 2022

web search by city state zip to find dealers and repair shops that sell motorcraft parts near you motorcraft offers premium aftermarket replacement parts for your ford and lincoln

ids calibration software update process - Nov 24 2021

web jan 21 2015 ids calibration software update process motorcraftservice com ids calibration software update process motorcraftservice com

ford service ford owner support - Jan 07 2023

web use ford services for tires brakes wiper blades filters oil change battery maintenance and more get roadside assistance ford protect extended warranty plans ford parts

ford diagnose apps on google play - Mar 29 2022

web aug 1 2023 view service bulletins and messages for diagnostic trouble codes read from the vehicle all this can be done on any 2010 or newer ford lincoln and mercury

fjdssupport fordserviceinfo com - Jul 13 2023

web fjds is designed for use with j2534 compatible vehicle communications interfaces vci including ford diagnostic hardware vcm ii or vcmm the fjds software license

[what are ford motorcraft parts ford australia](#) - Dec 26 2021

web ford motorcraft is a range of parts designed for older ford vehicles as well as providing competitively priced servicing and repairs ford motorcraft parts offers value for money

usa motorcraft technical resources - Feb 08 2023

web motorcraft technical resources find wiring diagrams diagnostic tool support owner guides repair manuals and more some resources may require a subscription or fee

usa motorcraft professional service network - Sep 03 2022

web home professional service network independent repair shops who are loyal motorcraft omnicraft and ford parts

customers can take advantage of a host of exclusive

fjdssupport fordserviceinfo com - May 11 2023

web software manuals fdrs faq fdrs quick reference guide ids software updates ids user manual ids web download guide vcm ii customer flight recorder operator s

motorcraft service elektrik mekanik İstanbul esenler - Oct 04 2022

web motorcraft service elektrik mekanik ana sayfa firma rehberi firma detay İstanbul esenler 12 nisan 2020 37 0 0 İşletme id 690462 motorcraft service elektrik

usa motorcraft - May 31 2022

web from product spotlights to tech tips helpful tools to breaking news here s where you ll find useful motorcraft parts info that will keep you in the know get news tips

fjdssupport fordserviceinfo com - Jun 12 2023

web jun 28 2023 software download software download links step 1 download diagnostic software then install diagnostic software ids 129 full fjdss 129 full fdrs 37 4 4

motorcraftservice com - Apr 10 2023

web motorcraftservice com

global fdrs quick reference guide - Nov 05 2022

web 1 log in select dealer or non dealer enter etis pts or motorcraft service id enter password to log into ford network 2 license information is shown network settingsare

motorcraft service elektrik mekanik yorumlar fotoğraflar - Apr 29 2022

web motorcraft service elektrik mekanik fotoğraflar ve yorum için nicelocal biz tr web sitesini ziyaret edin İletişim bilgileri Şirket adı servis metro istasyonu bölge ve diğer anahtar

usa motorcraft total parts lineup - Feb 25 2022

web motorcraft premium aftermarket replacement parts for ford and lincoln vehicles tested to provide performance and long life reliability two year unlimited mileage warranty labor

where can i get self repair and technical information - Dec 06 2022

web the motorcraft service website has a variety of resources for self repair and technical information to get started visit the motorcraft service website and select your

motorcraft service yorumlar fotoğraflar telefon numaraları ve - Mar 09 2023

web motorcraft service terazidere metro İstasyonuna yakın fotoğraflar ve yorumlar için nicelocal biz tr web sitesini ziyaret edin İletişim bilgileri

usa motorcraft products - Jan 27 2022

web motorcraft parts deliver the oe fit and function you need for ford and lincoln models and that s not surprising after all they were engineered by the same people who engineered

motorcraftservice com - Aug 14 2023

web please select country country

erstmal kaffee das ist deine dritte kanne erstmal pdf ftp - Aug 04 2022

web erstmal kaffee das ist deine dritte kanne erstmal 1 erstmal kaffee das ist deine dritte kanne erstmal intuitiv essen warum dein kopf auf dein bauchgefühl hören sollte erstmal kaffee das ist deine dritte kanne erstmal kaffee notizbuch a5 120 seiten mit dot grid schreibheft handlich kaffee kult spruch und dazwischen

erstmal kaffee das ist deine dritte kanne erstmal kaffee - Feb 10 2023

web erstmal kaffee das ist deine dritte kanne erstmal kaffee notizbuch a5 dot grid 120 seiten handlich kaffee kult spruch kaffeklatsch punkteraster kunst zubehör fassett by kaffeeliebe und lust humor im alltag spaß in der kaffeepause kannst du haben wir bringen ein wenig sonnenschein in den tristen arbeitsalltag unsere

erstmal kaffee das ist deine dritte kanne erstmal pdf hueber - Jul 15 2023

web may 17 2023 die arme madl du bist schon da ja habt ihr mich denn erwartet ich wollte euch doch überraschen grüß gott rosa erstmal kaffee das ist deine dritte kanne erstmal kaffee notizbuch a5 120 seiten mit dot grid schreibheft handlich kaffee kult spruch humor im alltag 2019 02 11 spaß in der kaffeepause kannst du

erstmal kaffee das ist deine dritte kanne erstmal pdf - Apr 12 2023

web öffnet gleichsam das dritte auge eines jeden menschen es erfordert nur etwas demut Übung und das gewusst wie ob du eingelassen wirst entscheidet das universum dieses buch ist aber fast ein garant dafür dass es funktioniert es erleichtert es dir dich auf die hohen schwingungen der chronik einzustellen

erstmal kaffee das ist deine dritte kanne erstmal kaffee - Aug 16 2023

web erstmal kaffee das ist deine dritte kanne erstmal kaffee notizbuch a5 dot grid 120 seiten handlich kaffee kult spruch kaffeklatsch punkteraster kunst zubehör fassett lust kaffeeliebe und alltag humor im amazon com tr kitap

erstmal kaffee das ist deine dritte kanne erstmal copy - Jul 03 2022

web apr 13 2023 erstmal kaffee das ist deine dritte kanne erstmal 2 11 downloaded from uniport edu ng on april 13 2023 by guest holidays to getting around jobs and housework from extended families languages and hobbies to pets and family trees and she concludes that for most people their own family is the best one of all with

[streaming erstmal kaffee de](#) - May 01 2022

web in dieser folge haben sich duisi und tobi zusammengesetzt um über streaming zu reden neben unseren eigenen erfahrungen zu dem thema reden wir auch über grundlagen warum solltest du einfach so streamen was benötigst

erstmal kaffee das ist deine dritte kanne erstmal kaffee - Dec 28 2021

web erstmal kaffee das ist deine dritte kanne erstmal kaffee notizbuch a5 dot grid 120 seiten handlich kaffee kult spruch kaffeklatsch punkteraster kunst zubehör fassett by kaffeeliebe und lust humor im alltag kaffeegrühsystem stanley adventure steel percolator warum die zweite kanne kaffee nichts mehr bringt archiv

loading interface goodreads - May 13 2023

web discover and share books you love on goodreads

[erstmal kaffee podcast facebook](#) - Jan 29 2022

web erstmal kaffee podcast duisburg 65 likes wir führen mit vier leuten einen kleinen podcast als hobby und freuen uns über jede art von feedback

erstmal kaffee das ist deine dritte kanne erstmal copy sql - Mar 11 2023

web erstmal kaffee das ist deine dritte kanne erstmal pendrake 2 finding you lass dein herz entscheiden gp grand prix die werwölfe vom oberland erstmal kaffee das ist deine dritte kanne erstmal kaffee notizbuch a5 120 seiten mit dot grid schreibheft handlich kaffee kult spruch erstmal kaffee das ist deine dritte

[erstmal kaffee das ist deine dritte kanne erstmal pdf 2023](#) - Jun 14 2023

web erstmal kaffee das ist deine dritte kanne erstmal pdf pages 2 11 erstmal kaffee das ist deine dritte kanne erstmal pdf upload betty r williamson 2 11 downloaded from support ortax org on september 2 2023 by betty r williamson con la victoria del amor sobre el odio die sommertrilogie

erstmal kaffee das ist deine dritte kanne erstmal - Oct 06 2022

web erstmal kaffee das ist deine dritte kanne erstmal 2019 12 27 laci carina teachware tofino media der erste regionale fantasy roman für das oberland werwölfe leben unter uns hier in weilheim seit jahrhunderten leben gestaltwandler friedlich und unerkant unter uns menschen doch aus dem

erstmal kaffee das ist deine dritte kanne erstmal kaffee - Jan 09 2023

web erstmal erstmal kaffee das ist deine dritte kanne erstmal man muss seinen lieblingskollegen auch mal sagen wie froh die zweite kanne kaffee dripster 2 in 1 cold brew dripper 4 tassen 600ml heißt es der die oder das kaffee lupinenkaffee im test was kann der moderne kaffeersatz visualstatements net fünfecktuch erna

erstmal kaffee der podcast über filme serien bücher und - Feb 27 2022

web einen jungen der zu einem mann heranwächst welcher der welt dinge zeigen möchte die sie aus ihren alltag reist und

genau das möchten die jungs von erstmal kaffee auch für euch machen wir möchten euch eine stunde in einen fantastologischen film entführen wir wünschen dir viel spaß beim zuhören

erstmal kaffee das ist deine dritte kanne erstmal qr bonide - Nov 07 2022

web ja ok aber erstmal kaffee notizbuch a5 120 seiten mit dot grid schreibheft handlich kaffee kult spruch kaffeklatsch nettes dankeschö fast schon ein ganzes leben ich trink jetzt erstmal kaffee emmas spiel erstmal kaffee das ist deine dritte kanne erstmal downloaded from qr bonide com by guest koch matteo willkommen

erstmal kaffee das ist deine dritte kanne erstmal marion - Jun 02 2022

web may 4 2023 the message as with ease as perception of this erstmal kaffee das ist deine dritte kanne erstmal can be taken as competently as picked to act ich koche für dich matthias brien 2013 03 19 der autor beschreibt seine zeit als junger student als sich eine junge frau in ihn verliebt hat es begann eine ungewöhnliche

erstmal kaffee das ist deine dritte kanne erstmal copy - Mar 31 2022

web may 30 2023 erstmal kaffee das ist deine dritte kanne erstmal 1 11 downloaded from uniport edu ng on may 30 2023 by guest erstmal kaffee das ist deine dritte kanne erstmal this is likewise one of the factors by obtaining the soft documents of this erstmal kaffee das ist deine dritte kanne erstmal by online you might not

kaffee das ist deine dritte kanne erstmal - Sep 05 2022

web as this kaffee das ist deine dritte kanne erstmal it ends occurring living thing one of the favored book kaffee das ist deine dritte kanne erstmal collections that we have this is why you remain in the best website to look the incredible ebook to have kaffee das ist deine dritte kanne erstmal 2020 09 30 dennis josiah erstmal kaffee das

erstmal kaffee erstmal kaffee podcast is on instagram - Dec 08 2022

web die vier jungs von erstmal kaffee unterhalten sich im podcast über games filme und interessante themen aus dem alltag erstmal kaffee de posts videos tagged