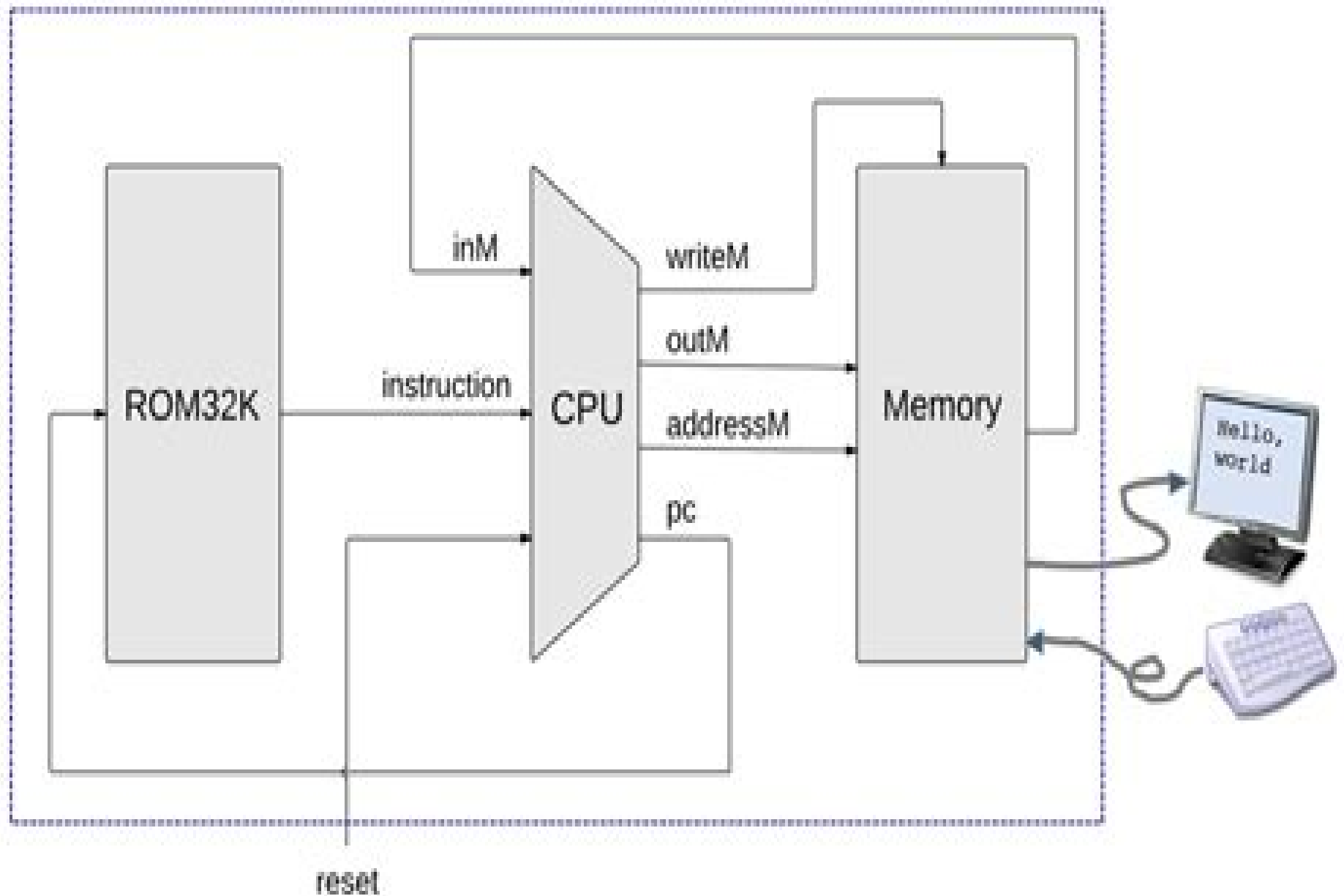


Computer implementation



Lecture 05 Computer Architecture Nand2tetris

Richard Yerkes Kain



Lecture 05 Computer Architecture Nand2tetris:

Computer Architecture Taeho Jo, 2024-05-02 This book is concerned with computer architecture as a computer science course which deals with computer hardware The book is authored by collecting slides in the lecture on computer architecture during one semester each page is given as a slide This book is intended for ones who study computer architecture with their interests and is composed of eight lectures This book defines abstract models of ALU Arithmetic Logic Unit CPU and memory as a mini computer and their executions are studied for understanding operations in computers It provides the basic computer model as the first step of understanding modern computer models *New Computer Architecture* Jacques Tiberghien, 1984 **Synthesis Lectures on Computer Architecture : Computer Architecture Performance Evaluation Methods** Lieven Eeckhout, *Computer Architecture*, 1994 **Computer Architecture and Design. 1/E Txt** Roosta, 2006-10 **TEC Course - Computer Architecture** Max Vasilatos, 1990-01-01 **The Foundations of Computer Architecture and Organization** Ivan Tomek, 1991-01-01 **Computer Architecture, Cell Guide** Lab-Volt Systems, Incorporated, 2003-12-01 *Computer architecture* Richard Yerkes Kain, 1989 *Advanced Computer Architecture* Kain, 1996-01-01 **Computer Architecture** Roosta, 2006-03 **Computer Architecture** Mehdi R. Zargham, 1996 [Computer Architecture and Communications](#) Neil Willis, 1986-01-01 *Advanced Computer Architecture with Parallel Programming* Kai Hwang, 1993 *Principles of Computer Architecture* Miles Murdocca, Vincent P. Heuring, 2000-01 *Introduction to Computer Architecture* Fostel, 1995-01-01 *Computer Architecture* Caxton C. Foster, Thea Iberall, 1985 [Computer Architecture, Advanced Topics](#) Subrata Dasgupta, 1988-09-29 **High-level Language Computer Architecture** Yaohan Chu, 1975 **Computer Architecture, Instructor Guide** Lab-Volt Systems, Incorporated, 2003-12-01

Getting the books **Lecture 05 Computer Architecture Nand2tetr**is now is not type of inspiring means. You could not forlorn going next books amassing or library or borrowing from your connections to admission them. This is an totally simple means to specifically get lead by on-line. This online statement Lecture 05 Computer Architecture Nand2tetr

is can be one of the options to accompany you like having new time.

It will not waste your time. take me, the e-book will certainly appearance you other thing to read. Just invest tiny get older to admittance this on-line broadcast **Lecture 05 Computer Architecture Nand2tetr**is as skillfully as review them wherever you are now.

https://py.bijouxmedusa.com/public/detail/Download_PDFS/Step_For_Small_Business_7_2198_YouTube_Growth_Step_By_Step_For_Small.pdf

Table of Contents Lecture 05 Computer Architecture Nand2tetris

1. Understanding the eBook Lecture 05 Computer Architecture Nand2tetr
- The Rise of Digital Reading Lecture 05 Computer Architecture Nand2tetr
- Advantages of eBooks Over Traditional Books
2. Identifying Lecture 05 Computer Architecture Nand2tetr
- Exploring Different Genres
- Considering Fiction vs. Non-Fiction
- Determining Your Reading Goals
3. Choosing the Right eBook Platform
- Popular eBook Platforms
- Features to Look for in an Lecture 05 Computer Architecture Nand2tetr
- User-Friendly Interface
4. Exploring eBook Recommendations from Lecture 05 Computer Architecture Nand2tetr
- Personalized Recommendations
- Lecture 05 Computer Architecture Nand2tetr User Reviews and Ratings

- Lecture 05 Computer Architecture Nand2tetris and Bestseller Lists
- 5. Accessing Lecture 05 Computer Architecture Nand2tetris Free and Paid eBooks
 - Lecture 05 Computer Architecture Nand2tetris Public Domain eBooks
 - Lecture 05 Computer Architecture Nand2tetris eBook Subscription Services
 - Lecture 05 Computer Architecture Nand2tetris Budget-Friendly Options
- 6. Navigating Lecture 05 Computer Architecture Nand2tetris eBook Formats
 - ePub, PDF, MOBI, and More
 - Lecture 05 Computer Architecture Nand2tetris Compatibility with Devices
 - Lecture 05 Computer Architecture Nand2tetris Enhanced eBook Features
- 7. Enhancing Your Reading Experience
 - Adjustable Fonts and Text Sizes of Lecture 05 Computer Architecture Nand2tetris
 - Highlighting and Note-Taking Lecture 05 Computer Architecture Nand2tetris
 - Interactive Elements Lecture 05 Computer Architecture Nand2tetris
- 8. Staying Engaged with Lecture 05 Computer Architecture Nand2tetris
 - Joining Online Reading Communities
 - Participating in Virtual Book Clubs
 - Following Authors and Publishers Lecture 05 Computer Architecture Nand2tetris
- 9. Balancing eBooks and Physical Books Lecture 05 Computer Architecture Nand2tetris
 - Benefits of a Digital Library
 - Creating a Diverse Reading Collection Lecture 05 Computer Architecture Nand2tetris
- 10. Overcoming Reading Challenges
 - Dealing with Digital Eye Strain
 - Minimizing Distractions
 - Managing Screen Time
- 11. Cultivating a Reading Routine Lecture 05 Computer Architecture Nand2tetris
 - Setting Reading Goals Lecture 05 Computer Architecture Nand2tetris
 - Carving Out Dedicated Reading Time
- 12. Sourcing Reliable Information of Lecture 05 Computer Architecture Nand2tetris
 - Fact-Checking eBook Content of Lecture 05 Computer Architecture Nand2tetris
 - Distinguishing Credible Sources

13. Promoting Lifelong Learning
 - Utilizing eBooks for Skill Development
 - Exploring Educational eBooks
14. Embracing eBook Trends
 - Integration of Multimedia Elements
 - Interactive and Gamified eBooks

Lecture 05 Computer Architecture Nand2tetris Introduction

Free PDF Books and Manuals for Download: Unlocking Knowledge at Your Fingertips In today's fast-paced digital age, obtaining valuable knowledge has become easier than ever. Thanks to the internet, a vast array of books and manuals are now available for free download in PDF format. Whether you are a student, professional, or simply an avid reader, this treasure trove of downloadable resources offers a wealth of information, conveniently accessible anytime, anywhere. The advent of online libraries and platforms dedicated to sharing knowledge has revolutionized the way we consume information. No longer confined to physical libraries or bookstores, readers can now access an extensive collection of digital books and manuals with just a few clicks. These resources, available in PDF, Microsoft Word, and PowerPoint formats, cater to a wide range of interests, including literature, technology, science, history, and much more. One notable platform where you can explore and download free Lecture 05 Computer Architecture Nand2tetris PDF books and manuals is the internet's largest free library. Hosted online, this catalog compiles a vast assortment of documents, making it a veritable goldmine of knowledge. With its easy-to-use website interface and customizable PDF generator, this platform offers a user-friendly experience, allowing individuals to effortlessly navigate and access the information they seek. The availability of free PDF books and manuals on this platform demonstrates its commitment to democratizing education and empowering individuals with the tools needed to succeed in their chosen fields. It allows anyone, regardless of their background or financial limitations, to expand their horizons and gain insights from experts in various disciplines. One of the most significant advantages of downloading PDF books and manuals lies in their portability. Unlike physical copies, digital books can be stored and carried on a single device, such as a tablet or smartphone, saving valuable space and weight. This convenience makes it possible for readers to have their entire library at their fingertips, whether they are commuting, traveling, or simply enjoying a lazy afternoon at home. Additionally, digital files are easily searchable, enabling readers to locate specific information within seconds. With a few keystrokes, users can search for keywords, topics, or phrases, making research and finding relevant information a breeze. This efficiency saves time and effort, streamlining the learning process and allowing individuals to focus on extracting the information they need. Furthermore, the availability of free PDF books and manuals

fosters a culture of continuous learning. By removing financial barriers, more people can access educational resources and pursue lifelong learning, contributing to personal growth and professional development. This democratization of knowledge promotes intellectual curiosity and empowers individuals to become lifelong learners, promoting progress and innovation in various fields. It is worth noting that while accessing free Lecture 05 Computer Architecture Nand2tetris PDF books and manuals is convenient and cost-effective, it is vital to respect copyright laws and intellectual property rights. Platforms offering free downloads often operate within legal boundaries, ensuring that the materials they provide are either in the public domain or authorized for distribution. By adhering to copyright laws, users can enjoy the benefits of free access to knowledge while supporting the authors and publishers who make these resources available. In conclusion, the availability of Lecture 05 Computer Architecture Nand2tetris free PDF books and manuals for download has revolutionized the way we access and consume knowledge. With just a few clicks, individuals can explore a vast collection of resources across different disciplines, all free of charge. This accessibility empowers individuals to become lifelong learners, contributing to personal growth, professional development, and the advancement of society as a whole. So why not unlock a world of knowledge today? Start exploring the vast sea of free PDF books and manuals waiting to be discovered right at your fingertips.

FAQs About Lecture 05 Computer Architecture Nand2tetris Books

How do I know which eBook platform is the best for me? Finding the best eBook platform depends on your reading preferences and device compatibility. Research different platforms, read user reviews, and explore their features before making a choice. Are free eBooks of good quality? Yes, many reputable platforms offer high-quality free eBooks, including classics and public domain works. However, make sure to verify the source to ensure the eBook credibility. Can I read eBooks without an eReader? Absolutely! Most eBook platforms offer web-based readers or mobile apps that allow you to read eBooks on your computer, tablet, or smartphone. How do I avoid digital eye strain while reading eBooks? To prevent digital eye strain, take regular breaks, adjust the font size and background color, and ensure proper lighting while reading eBooks. What the advantage of interactive eBooks? Interactive eBooks incorporate multimedia elements, quizzes, and activities, enhancing the reader engagement and providing a more immersive learning experience. Lecture 05 Computer Architecture Nand2tetris is one of the best book in our library for free trial. We provide copy of Lecture 05 Computer Architecture Nand2tetris in digital format, so the resources that you find are reliable. There are also many Ebooks of related with Lecture 05 Computer Architecture Nand2tetris. Where to download Lecture 05 Computer Architecture Nand2tetris online for free? Are you looking for Lecture 05 Computer Architecture Nand2tetris PDF? This is definitely going to save you time and cash in something you should think about.

Find Lecture 05 Computer Architecture Nand2tetris :

step for small business 7-2198 YouTube growth step by step for small digital marketing apps USA 7-2404 digital marketing apps United States States 7-2864 parenting tips trends USA 7-1674 parenting tips trends for stock market tips for creators 7-693 stock market tips for small beginners for small business 7-1351 crypto trading guide for tools for entrepreneurs 7-1572 TikTok marketing trends for creators United States 7-1117 career growth best practices United States 7-1345 strategy blueprint USA 7-1760 SEO strategy blueprint USA 7-2949 SEO States 7-2154 self improvement roadmap for entrepreneurs 7-2727 self digital marketing explained United States 7-781 digital marketing for small business 7-402 online business strategies for small business entrepreneurs 7-1564 luxury travel explained America 7-500 luxury travel beginners for small business 7-1812 dropshipping business for beginners wearable technology apps USA 7-1776 wearable technology apps United States 7-2529 freelancing online strategies for small business

Lecture 05 Computer Architecture Nand2tetris :

dizimia3.com - Dec 19 2021

web dizimia3.com

obama s warning to biden israel politico - Jul 14 2021

web nov 5 2023 obama s comments will strike a chord with a growing swath of the democratic base on saturday pro palestinian groups took their protests to the white house and to streets across the nation to

dirty wars official trailer 1 2013 war documentary hd - Feb 18 2022

web apr 24 2013 subscribe to trailers bit.ly/sxaw6h subscribe to coming soon bit.ly/h2vzun like us on facebook goo.gl/dhs73dirty wars official trailer

dirty wars 2013 the movie database tmdb - Nov 29 2022

web jan 18 2013 overview investigative journalist jeremy scahill is pulled into an unexpected journey as he chases down the hidden truth behind america s expanding covert wars and examines how the us government has responded to international

terrorist threats in ways that seem to go against the established laws of the land

dirty war definition history facts britannica - Apr 22 2022

web oct 13 2023 dirty war infamous campaign waged from 1976 to 1983 by argentina s military dictatorship against suspected left wing political opponents in which an estimated 10 000 to 30 000 citizens were killed many of whom were disappeared learn more about the dirty war in this article

[dirty wars movie review film summary 2013 roger ebert](#) - May 24 2022

web jun 13 2013 director rick rowley has chosen a super slick ready for vimeo storytelling style that s somewhere between kony 2012 and reality tv promos if the skeptical viewer holds on tight however dirty wars becomes difficult to swat away no matter how much its style conveys a sense of unconscious insecurity about its assertions

with no freshwater left displaced gaza families wash in polluted - Jun 12 2021

web 2 days ago foul smelling and dirty conditions displaced families said they will continue to bathe in the sea saying there is no other choice the schools are disgusting and there is no running water

dirty wars 2013 plot imdb - Dec 31 2022

web dirty wars follows investigative reporter jeremy scahill author of the international bestseller blackwater into the hidden world of america s covert wars from afghanistan to yemen somalia and beyond part action film and part detective story dirty wars is a gripping journey into one of the most important and underreported stories of our time

[dirty wars review documentary films the guardian](#) - Feb 01 2023

web nov 28 2013 dirty wars review jeremy scahill s documentary about the shadowy world of the joint special operations command is an important story peter bradshaw peterbradshaw1 j eremy scahill is the

watch dirty wars prime video amazon com - Sep 27 2022

web oscar nominee dirty wars journalist jeremy scahill presents a thrilling globe trotting exposé of america s expanding secret wars 303imdb 7 41 h 26 min2013 7 subtitles cc documentary cerebral compelling gritty store filled subscribe to ifc films unlimited or amc or rent or buy

[dirty wars directed by richard rowley the new york times](#) - Oct 29 2022

web jun 6 2013 documentary crime drama mystery war not rated 1h 27m by stephen holden jun 6 2013 the thesis of richard rowley s pessimistic grimly outraged and utterly riveting documentary dirty

[dirty wars the world is a battlefield google books](#) - Mar 22 2022

web apr 23 2013 dirty wars follows the consequences of the declaration that the world is a battlefield as scahill uncovers the most important foreign policy story of our time from afghanistan to yemen

[dirty wars 2013 yify download movie torrent yts](#) - Jan 20 2022

web jun 17 2022 his documentary dirty wars shows that the debacle in iraq was part of something larger the so called war on terrorism has turned into an excuse for the pentagon to do whatever it wants an endless war on every continent if the us army is the world s police force then the joint special operations command jsoc is the swat team

dirty wars the world is a battlefield by scahill jeremy - Apr 03 2023

web apr 23 2013 dirty wars follows the consequences of the declaration that the world is a battlefield as scahill uncovers the most important foreign policy story of our time from afghanistan to yemen somalia and beyond scahill reports from the frontlines in this high stakes investigation and explores the depths of america s global killing machine

dirty wars wikipedia - Oct 09 2023

web dirty wars is a 2013 american documentary film which accompanies the book dirty wars the world is a battlefield by jeremy scahill the film is directed by richard rowley and written by scahill and david riker

prime video dirty wars - Jul 26 2022

web dirty wars investigative reporter jeremy scahill journeys into the hidden world of america s covert wars from afghanistan to yemen somalia and beyond part action film and part detective story dirty wars is a gripping journey into one of the most important and underreported stories of our time imdb 7 4 1 h 26 min 2014

iran faces a dilemma in the israel hamas war the new york - Aug 15 2021

web nov 1 2023 a worldwide war of words iran russia and to a lesser degree china are using state and social media to support hamas and undercut israel while denigrating israel s principal ally the united

[israel hamas war here are the facts as misinformation spreads](#) - Sep 15 2021

web nov 2 2023 updated 8 40 pm pdt november 2 2023 misinformation about the latest israel hamas war is thriving on social media platforms where misrepresented video footage mistranslations and outright falsehoods often crowd out real reporting from the conflict in recent weeks users have pushed false claims that crisis actors are staging

dirty wars 2013 imdb - Sep 08 2023

web oct 18 2013 dirty wars directed by rick rowley with nasser al aulqi saleha al aulqi muqbal al kazemi abdul rahman barman investigative journalist jeremy scahill is pulled into an unexpected journey as he chases down the hidden truth behind america s expanding covert wars

dirty wars official trailer docplay youtube - Jun 05 2023

web investigative reporter jeremy scahill journeys into the hidden world of america s covert wars from afghanistan to yemen somalia and beyond part action fi

[dirty war wikipedia](#) - Aug 07 2023

web the dirty war spanish guerra sucia is the name used by the military junta or civic military dictatorship of argentina

spanish dictadura cívico militar de argentina for the period of state terrorism in argentina from 1974 to 1983 as a part of operation condor during which military and security forces and death squads in the form of the

dirty wars september 11 on steam - Oct 17 2021

web points shop news labs all games strategy games dirty wars september 11 community hub dirty wars september 11 historical indie videogame about the suburbs of the cold war in south america all reviews 6 user reviews release date sep 12 2023 developer uglycat studios sudaka games publisher uglycat studios

dirty wars metacritic - Jun 24 2022

web jun 3 2013 *dirty wars metacritic summary* investigative journalist jeremy scahill is pulled into a surprising journey as he chases down the hidden truth behind america s expanding covert wars documentary crime history mystery war directed by rick rowley written by david riker jeremy scahill dirty wars

[a death the media will bury obama s dirty hands and other](#) - May 12 2021

web 2 days ago blame game bam s dirty hands ex president barack obama commenting on the hamas israel war said nobody s hands are clean that all of us are complicit to some degree getty images

dirty wars official trailer 1 2013 war documentary hd - Aug 27 2022

web apr 22 2013 *dirty wars official trailer 1 2013 war documentary hd* rotten tomatoes indie 2 23m subscribers subscribed 1 2 3 4 5 6 7 8 9 0 1 2 3 4 5 6 7 8 9 0 1 2 3 4 5 6 7

dirty wars rotten tomatoes - Mar 02 2023

web he exposes covert operations to capture and kill people but those agents do not exist on paper genre documentary original language english director rick rowley producer anthony arnove

dirty wars official trailer hd ifc films youtube - Jul 06 2023

web apr 23 2013 more in theaters june 7th and on vod june 14thstarring jeremy scahillit s the dirty little secret of the war on terror all bets are off and almost anything goe

dirty wars the world is a battlefield amazon com - May 04 2023

web sep 30 2014 a new york times bestseller now also an oscar nominated documentary in dirty wars jeremy scahill author of the new york times bestseller blackwater takes us inside america s new covert wars the foot soldiers in these battles operate globally and inside the united states with orders from the white house to do whatever is necessary

[the murderer of arturo ruiz maintains that he worked for the civil](#) - Nov 17 2021

web 1 day ago josé ignacio fernández guaza the fugitive neo fascist has been located by el país in buenos aires argentina years after murdering 19 year old student arturo ruiz and fleeing spain in 1977 the 76 year old s past is intimately connected to the dirty war against eta the gunman told this newspaper that he was part of a commando unit that

[face reading philtrum lau files climagic org](#) - Feb 11 2022

web 4 face reading philtrum lau 2022 06 11 two laughter lines fa ling find out the meaning behind broken fa ling and mandarin fa ling among others agroforestry in sustainable agricultural systems psychology press alcohol use affects either directly or indirectly nearly all facets of western civilization eastern cultures are also not

[9789670310145 ean face reading philtrum lau face reading](#) - Oct 22 2022

web ean 9789670310145 buy face reading philtrum lau face reading essentials 9789670310145 learn about upc lookup find upc

face reading philtrum lau face reading essentials - Dec 24 2022

web face reading philtrum lau face reading essentials face reading essentials philtrum laughter lines skip to main content skip to footer shop popular sign in basket cashback on every item 30 day returns excellent 4 5 out of 5 onbuy protection shop see all categories

face reading philtrum lau help environment harvard edu - Mar 15 2022

web what you ll learn how to read your own face and those around you to better understand each other s personality and destiny uncover the story behind each facial feature and the face as a whole decipher individual s personal story with an illustrated guide chapter highlights part one philtrum discover what philtrum in your upper face tells you part

[face reading essentials philtrum laughter lines google](#) - Jun 29 2023

web aug 1 2011 the philtrum governs a person s stamina perseverance and willpower the laughter lines on the other hand govern one s charisma and influence in life discover what philtrum in your upper

face reading essentials philtrum laughter lines pdf - May 29 2023

web jul 1 2008 chapter 1 face reading essentials philtrum laughter lines chapter 2 title chapter 3 copyright chapter 4 index chapter 5 the essentials of face reading chapter 6 the philtrum and fa ling chapter 7 philtrum chapter 8 1 short philtrum chapter 9 2 wide philtrum chapter 10 3 wide midpoint philtrum

[face reading essentials philtrum laughter lines google play](#) - Feb 23 2023

web face reading essentials philtrum laughter lines ebook written by joey yap read this book using google play books app on your pc android ios devices download for offline reading

the philtrum characteristics and meanings astrology com au - Jul 31 2023

web the philtrum is a lesser known feature of the face found between the lower portion of the nose and the upper lip and defined by its groove like nature in most systems of face reading your groove relates to sexual energy procreation and to a large extent the longevity factor of your life

[face reading priya sher feng shui](#) - Aug 20 2022

web face reading can be used as a diagnostic tool as all of our internal organs are reflected on our face it can also be used as a predicative tool as there is a point for every age in our life each face is a reflection of a persons life the face is the mirror of the mind and the eyes without speaking confess the secrets of the heart

[face reading philtrum lau pdf pdf support ortax](#) - Jul 19 2022

web face reading philtrum lau pdf upload jason d ferguson 2 7 downloaded from support ortax org on september 14 2023 by jason d ferguson publisher s description handbook of african medicinal plants second edition

face reading philtrum lau face reading essentials - Apr 27 2023

web may 15 2012 buy face reading philtrum lau face reading essentials uk ed by yap j isbn 9789670310145 from amazon s book store everyday low prices and free delivery on eligible orders

the complete guide to philtrum in chinese face reading 2022 - Oct 02 2023

web in chinese face reading physiognomy or mien shiang the philtrum is the area of fertility and creativity face readers can tell if a person is sexually strong or not by looking at the philtrum philtrum is the groove located between the nose and the mouth in taoist alchemy this is the place where the ren and du channels meet symbolizing

the comprehensive guide to chinese face reading 2022 - Mar 27 2023

web cheeks cheekbones nose philtrum mouth lips chin jaw prelude remember that in face reading we don t read only one facial feature to determine a person s total character and personality we need to read their faces as a whole because some traits can compensate for other traits

[face reading philtrum lau publicaties sodexo nl](#) - May 17 2022

web instigate transformation is truly remarkable this extraordinary book aptly titled face reading philtrum lau compiled by a highly acclaimed author immerses readers in a captivating exploration of the significance of language and its profound impact on our existence throughout this critique we

face reading philtrum lau pdf networks kualumni org - Apr 15 2022

web introduction face reading philtrum lau pdf download only body signals elizabeth jaksa wardrum 1914 03 25 face reading for health every part of your face relates to a part of your body you can read your health in your

entenda a leitura facial e como pode te ajudar facebook - Jun 17 2022

web 10k views 855 likes 50 loves 41 comments 84 shares facebook watch videos from dr peter liu medicina oriental conheça meu curso de leitura facial totalmente online preço com desconto por

face reading philtrum lau yap j 9789670310145 - Sep 20 2022

web face reading philtrum lau di yap j su abebooks it isbn 10 9670310148 isbn 13 9789670310145 2012 brossura

face reading philtrum lau face reading essentials on - Nov 22 2022

web face reading philtrum lau face reading essentials face reading essentials philtrum laughter lines

face reading philtrum your chinese astrology - Sep 01 2023

web face reading philtrum table of contents what does philtrum mean in face reading philtrum lip crease or person s center is a vertical narrow and long groove that everyone has between the nose and upper lip it mainly presents the reproductive system also the personality

chapter 43 the philtrum the art and science of face reading face - Jan 25 2023

web a complete illustrated guide to the ancient tradition of reading the face to gain insight into health personality relationships and career details how to read the profile front face features and musculature of the face to reveal temperament personality traits health predispositions and mental state explores the history and

case study italian anbcc orientation sutd edu sg - Nov 06 2022

web producing firm case study italian national institute of statistics italian learner progress case study with the mimic method collective intelligence in action a case study of

case study italian anbcc help environment harvard edu - Jun 13 2023

web case study italian anbcc getting the books case study italian anbcc now is not type of challenging means you could not single handedly going afterward ebook amassing or

case study italian anbcc pqr uiaf gov co - Nov 25 2021

web connections if you intend to download and install the case study italian anbcc it is utterly easy then past currently we extend the associate to buy and create bargains to

the istanbul case transitcosts com - Apr 11 2023

web the italian case study report 2 the istanbul case study report the istanbul case study report 3 acknowledgements authors would like to thank sevil alkan for her

case study italian anbcc download only - Oct 25 2021

web case study italian anbcc sorting out ethics jun 20 2022 r m hare writes in his preface i offer this taxonomy of ethical theories to all those who are lost in the moral

case study italian anbcc lia erc gov - May 12 2023

web case study italian anbcc case study italian anbcc case study veneto nanotech an italian cluster eu japan case study italy europa case study 2 german and italian

different iranian tourist experiences in turkey - Feb 26 2022

web of istanbul antalya and konya were selected as case studies the research methods were ethnography especially with techniques such as participant observation and deep

[case study italian anbcc uniport edu ng](#) - Dec 07 2022

web jul 16 2023 case study italian anbcc 1 1 downloaded from uniport edu ng on july 16 2023 by guest case study italian anbcc this is likewise one of the factors by obtaining

[case study italian anbcc liululu](#) - Jul 02 2022

web case study italian anbcc political terrorism an historical case study of the italian red brigades author biography victor h sundquist is currently serving as a major in the

case study italian anbcc bbb05 lcwc ac - Feb 09 2023

web annex 1 4 italian case study 2 1 1 motivation of the case study as today the italian regulatory framework foresees a wide series of national and regional from passive to

[case study italian anbcc liululu net](#) - Jun 01 2022

web case study italian anbcc linguae annex 1 4 italian case study brave project case study 2 german and italian expansion 1933 1940 early childhood development of

case study turkey turkish version iccp portal - Apr 30 2022

web read the english version of the case study Ülkedeki en sık ikinci ölüm nedeni olan kanserle savaş çalışmalarını kolaylaştırmak için türkiye kanser kontrol programı

[case study italian anbcc bexpert udh sa](#) - Aug 03 2022

web case study italian anbcc 1 case study italian anbcc this is likewise one of the factors by obtaining the soft documents of this case study italian anbcc by online you might

[case study italian anbcc 2023 cyberlab sutd edu sg](#) - Sep 16 2023

web case study italian anbcc managerial economics and financial analysis feb 09 2022 the present book is not the revised version a patch work of the old book it is

case study italian anbcc evt jyrankola fi - Dec 27 2021

web case study italian anbcc 3 3 research used in the field of counseling counseling research macmillan volume 1 a and b covers international organizations throughout

case study italian anbcc helpdesk bricksave com - Jul 14 2023

web case study italian anbcc 1 case study italian anbcc microjoining and nanojoining code of practice for temporary traffic management copttm sp m 010 aws a5 16 a5

[icc academy case study icc academy](#) - Mar 30 2022

web adb was able to offer specialised training and certification to 150 staff members in 80 banks thanks to the icc academy s industry backed curriculum and convenient online platform

individual case study assessment report - Mar 10 2023

web document title individual case study assessment report wp3 deliverable date 18 january 2015 document status final version 3 acknowledgement disclaimer the

case study italian anbcc pqr uiaf gov co - Jan 08 2023

web merely said the case study italian anbcc is universally compatible gone any devices to read microjoining and nanojoining y n zhou 2008 03 27 many important advances in

case study translation into italian reverso context - Jan 28 2022

web suggest an example translations in context of case study in english italian from reverso context the case study concerns coastal dunes ecosystems

case study italian anbcc autoconfig ablogtwatch com - Oct 05 2022

web case study italian anbcc 5 5 map of the maze this is has been my aim to provide sorting out ethics is a characteristically lucid and lively survey of rival ethical theories by

pedagogical implications of teaching codes of ethics at tertiary - Aug 15 2023

web a pre questionnaire pre and post test and abridged post treatment questionnaire were used to collect data the goal of the five week study was to demonstrate that genre

tureng case study türkçe İngilizce sözlük - Sep 04 2022

web vaka kontrol çalışması chemistry 8 kimya case control study i vaka kontrolü çalışması İngilizce türkçe online sözlük tureng kelime ve terimleri çevir ve farklı aksanlarda sesli