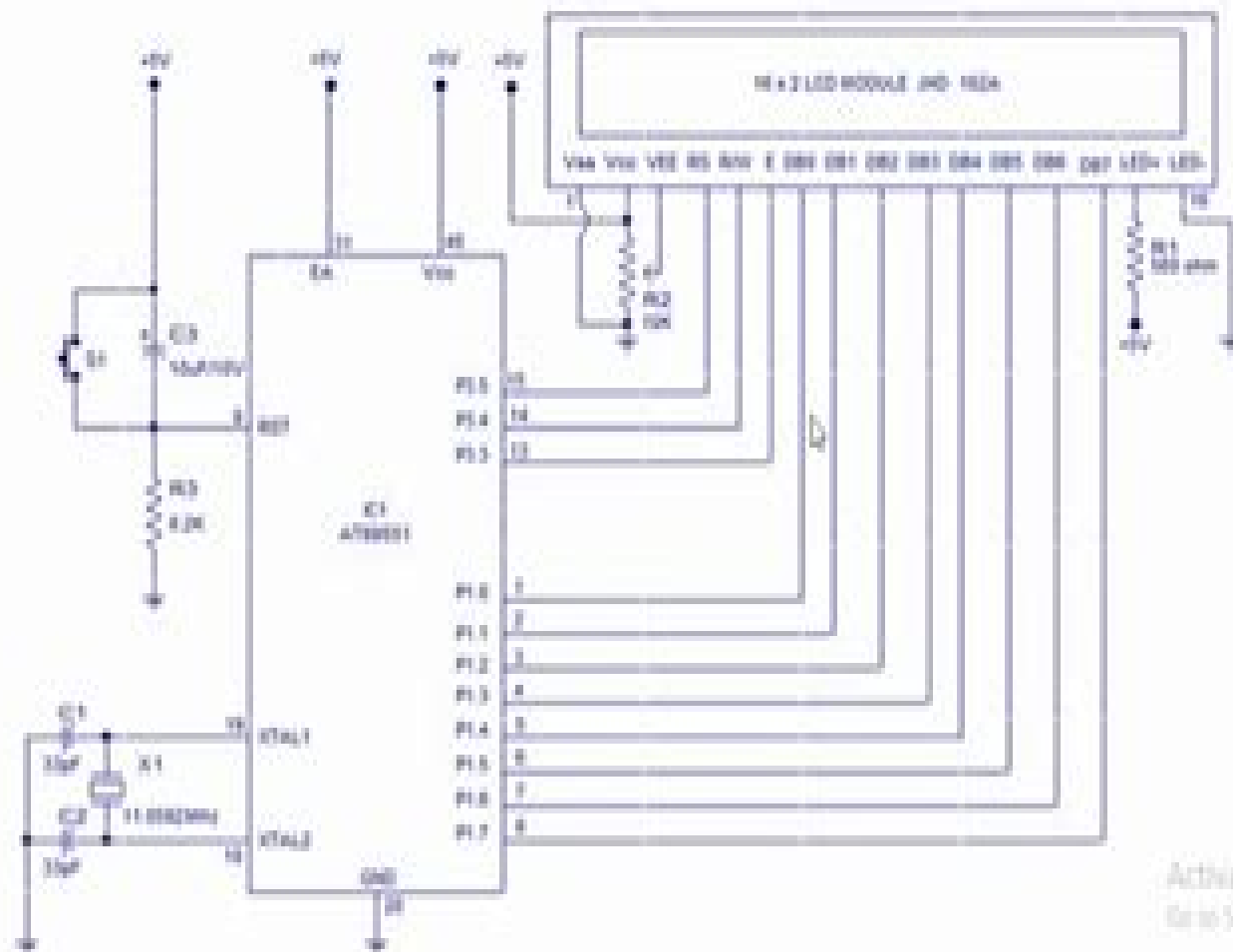


16x2 LCD interfacing to 8051 microcontroller



Interfacing 16x2 Lcd With 8051 Microcontroller Lcd Module

David Baud



Interfacing 16x2 Lcd With 8051 Microcontroller Lcd Module:

The Enigmatic Realm of **Interfacing 16x2 Lcd With 8051 Microcontroller Lcd Module**: Unleashing the Language is Inner Magic

In a fast-paced digital era where connections and knowledge intertwine, the enigmatic realm of language reveals its inherent magic. Its capacity to stir emotions, ignite contemplation, and catalyze profound transformations is nothing in short supply of extraordinary. Within the captivating pages of **Interfacing 16x2 Lcd With 8051 Microcontroller Lcd Module** a literary masterpiece penned with a renowned author, readers embark on a transformative journey, unlocking the secrets and untapped potential embedded within each word. In this evaluation, we shall explore the book's core themes, assess its distinct writing style, and delve into its lasting impact on the hearts and minds of people who partake in its reading experience.

https://py.bijouxmedusa.com/public/virtual-library/Download_PDFS/american_history_connecting_past_volume.pdf

Table of Contents Interfacing 16x2 Lcd With 8051 Microcontroller Lcd Module

1. Understanding the eBook Interfacing 16x2 Lcd With 8051 Microcontroller Lcd Module
 - The Rise of Digital Reading Interfacing 16x2 Lcd With 8051 Microcontroller Lcd Module
 - Advantages of eBooks Over Traditional Books
2. Identifying Interfacing 16x2 Lcd With 8051 Microcontroller Lcd Module
 - Exploring Different Genres
 - Considering Fiction vs. Non-Fiction
 - Determining Your Reading Goals
3. Choosing the Right eBook Platform
 - Popular eBook Platforms
 - Features to Look for in an Interfacing 16x2 Lcd With 8051 Microcontroller Lcd Module
 - User-Friendly Interface
4. Exploring eBook Recommendations from Interfacing 16x2 Lcd With 8051 Microcontroller Lcd Module
 - Personalized Recommendations

- Interfacing 16x2 Lcd With 8051 Microcontroller Lcd Module User Reviews and Ratings
- Interfacing 16x2 Lcd With 8051 Microcontroller Lcd Module and Bestseller Lists
- 5. Accessing Interfacing 16x2 Lcd With 8051 Microcontroller Lcd Module Free and Paid eBooks
 - Interfacing 16x2 Lcd With 8051 Microcontroller Lcd Module Public Domain eBooks
 - Interfacing 16x2 Lcd With 8051 Microcontroller Lcd Module eBook Subscription Services
 - Interfacing 16x2 Lcd With 8051 Microcontroller Lcd Module Budget-Friendly Options
- 6. Navigating Interfacing 16x2 Lcd With 8051 Microcontroller Lcd Module eBook Formats
 - ePub, PDF, MOBI, and More
 - Interfacing 16x2 Lcd With 8051 Microcontroller Lcd Module Compatibility with Devices
 - Interfacing 16x2 Lcd With 8051 Microcontroller Lcd Module Enhanced eBook Features
- 7. Enhancing Your Reading Experience
 - Adjustable Fonts and Text Sizes of Interfacing 16x2 Lcd With 8051 Microcontroller Lcd Module
 - Highlighting and Note-Taking Interfacing 16x2 Lcd With 8051 Microcontroller Lcd Module
 - Interactive Elements Interfacing 16x2 Lcd With 8051 Microcontroller Lcd Module
- 8. Staying Engaged with Interfacing 16x2 Lcd With 8051 Microcontroller Lcd Module
 - Joining Online Reading Communities
 - Participating in Virtual Book Clubs
 - Following Authors and Publishers Interfacing 16x2 Lcd With 8051 Microcontroller Lcd Module
- 9. Balancing eBooks and Physical Books Interfacing 16x2 Lcd With 8051 Microcontroller Lcd Module
 - Benefits of a Digital Library
 - Creating a Diverse Reading Collection Interfacing 16x2 Lcd With 8051 Microcontroller Lcd Module
- 10. Overcoming Reading Challenges
 - Dealing with Digital Eye Strain
 - Minimizing Distractions
 - Managing Screen Time
- 11. Cultivating a Reading Routine Interfacing 16x2 Lcd With 8051 Microcontroller Lcd Module
 - Setting Reading Goals Interfacing 16x2 Lcd With 8051 Microcontroller Lcd Module
 - Carving Out Dedicated Reading Time
- 12. Sourcing Reliable Information of Interfacing 16x2 Lcd With 8051 Microcontroller Lcd Module
 - Fact-Checking eBook Content of Interfacing 16x2 Lcd With 8051 Microcontroller Lcd Module

- Distinguishing Credible Sources
- 13. Promoting Lifelong Learning
 - Utilizing eBooks for Skill Development
 - Exploring Educational eBooks
- 14. Embracing eBook Trends
 - Integration of Multimedia Elements
 - Interactive and Gamified eBooks

Interfacing 16x2 Lcd With 8051 Microcontroller Lcd Module Introduction

Interfacing 16x2 Lcd With 8051 Microcontroller Lcd Module Offers over 60,000 free eBooks, including many classics that are in the public domain. Open Library: Provides access to over 1 million free eBooks, including classic literature and contemporary works. Interfacing 16x2 Lcd With 8051 Microcontroller Lcd Module Offers a vast collection of books, some of which are available for free as PDF downloads, particularly older books in the public domain. Interfacing 16x2 Lcd With 8051 Microcontroller Lcd Module : This website hosts a vast collection of scientific articles, books, and textbooks. While it operates in a legal gray area due to copyright issues, its a popular resource for finding various publications. Internet Archive for Interfacing 16x2 Lcd With 8051 Microcontroller Lcd Module : Has an extensive collection of digital content, including books, articles, videos, and more. It has a massive library of free downloadable books. Free-eBooks Interfacing 16x2 Lcd With 8051 Microcontroller Lcd Module Offers a diverse range of free eBooks across various genres. Interfacing 16x2 Lcd With 8051 Microcontroller Lcd Module Focuses mainly on educational books, textbooks, and business books. It offers free PDF downloads for educational purposes. Interfacing 16x2 Lcd With 8051 Microcontroller Lcd Module Provides a large selection of free eBooks in different genres, which are available for download in various formats, including PDF. Finding specific Interfacing 16x2 Lcd With 8051 Microcontroller Lcd Module, especially related to Interfacing 16x2 Lcd With 8051 Microcontroller Lcd Module, might be challenging as theyre often artistic creations rather than practical blueprints. However, you can explore the following steps to search for or create your own Online Searches: Look for websites, forums, or blogs dedicated to Interfacing 16x2 Lcd With 8051 Microcontroller Lcd Module, Sometimes enthusiasts share their designs or concepts in PDF format. Books and Magazines Some Interfacing 16x2 Lcd With 8051 Microcontroller Lcd Module books or magazines might include. Look for these in online stores or libraries. Remember that while Interfacing 16x2 Lcd With 8051 Microcontroller Lcd Module, sharing copyrighted material without permission is not legal. Always ensure youre either creating your own or obtaining them from legitimate sources that allow sharing and downloading. Library Check if your local library offers eBook lending services. Many libraries have digital catalogs where you can borrow Interfacing 16x2 Lcd With

8051 Microcontroller Lcd Module eBooks for free, including popular titles. Online Retailers: Websites like Amazon, Google Books, or Apple Books often sell eBooks. Sometimes, authors or publishers offer promotions or free periods for certain books. Authors Website Occasionally, authors provide excerpts or short stories for free on their websites. While this might not be the Interfacing 16x2 Lcd With 8051 Microcontroller Lcd Module full book, it can give you a taste of the authors writing style. Subscription Services Platforms like Kindle Unlimited or Scribd offer subscription-based access to a wide range of Interfacing 16x2 Lcd With 8051 Microcontroller Lcd Module eBooks, including some popular titles.

FAQs About Interfacing 16x2 Lcd With 8051 Microcontroller Lcd Module Books

How do I know which eBook platform is the best for me? Finding the best eBook platform depends on your reading preferences and device compatibility. Research different platforms, read user reviews, and explore their features before making a choice. Are free eBooks of good quality? Yes, many reputable platforms offer high-quality free eBooks, including classics and public domain works. However, make sure to verify the source to ensure the eBook credibility. Can I read eBooks without an eReader? Absolutely! Most eBook platforms offer webbased readers or mobile apps that allow you to read eBooks on your computer, tablet, or smartphone. How do I avoid digital eye strain while reading eBooks? To prevent digital eye strain, take regular breaks, adjust the font size and background color, and ensure proper lighting while reading eBooks. What the advantage of interactive eBooks? Interactive eBooks incorporate multimedia elements, quizzes, and activities, enhancing the reader engagement and providing a more immersive learning experience. Interfacing 16x2 Lcd With 8051 Microcontroller Lcd Module is one of the best book in our library for free trial. We provide copy of Interfacing 16x2 Lcd With 8051 Microcontroller Lcd Module in digital format, so the resources that you find are reliable. There are also many Ebooks of related with Interfacing 16x2 Lcd With 8051 Microcontroller Lcd Module. Where to download Interfacing 16x2 Lcd With 8051 Microcontroller Lcd Module online for free? Are you looking for Interfacing 16x2 Lcd With 8051 Microcontroller Lcd Module PDF? This is definitely going to save you time and cash in something you should think about. If you trying to find then search around for online. Without a doubt there are numerous these available and many of them have the freedom. However without doubt you receive whatever you purchase. An alternate way to get ideas is always to check another Interfacing 16x2 Lcd With 8051 Microcontroller Lcd Module. This method for see exactly what may be included and adopt these ideas to your book. This site will almost certainly help you save time and effort, money and stress. If you are looking for free books then you really should consider finding to assist you try this. Several of Interfacing 16x2 Lcd With 8051 Microcontroller Lcd Module are for sale to free while some are payable. If you arent sure if the books you would like to download works with for usage along with your computer, it is possible to download free trials. The free guides make it easy for someone to free

access online library for download books to your device. You can get free download on free trial for lots of books categories. Our library is the biggest of these that have literally hundreds of thousands of different products categories represented. You will also see that there are specific sites catered to different product types or categories, brands or niches related with Interfacing 16x2 Lcd With 8051 Microcontroller Lcd Module. So depending on what exactly you are searching, you will be able to choose e books to suit your own need. Need to access completely for Campbell Biology Seventh Edition book? Access Ebook without any digging. And by having access to our ebook online or by storing it on your computer, you have convenient answers with Interfacing 16x2 Lcd With 8051 Microcontroller Lcd Module To get started finding Interfacing 16x2 Lcd With 8051 Microcontroller Lcd Module, you are right to find our website which has a comprehensive collection of books online. Our library is the biggest of these that have literally hundreds of thousands of different products represented. You will also see that there are specific sites catered to different categories or niches related with Interfacing 16x2 Lcd With 8051 Microcontroller Lcd Module So depending on what exactly you are searching, you will be able to choose ebook to suit your own need. Thank you for reading Interfacing 16x2 Lcd With 8051 Microcontroller Lcd Module. Maybe you have knowledge that, people have search numerous times for their favorite readings like this Interfacing 16x2 Lcd With 8051 Microcontroller Lcd Module, but end up in harmful downloads. Rather than reading a good book with a cup of coffee in the afternoon, instead they juggled with some harmful bugs inside their laptop. Interfacing 16x2 Lcd With 8051 Microcontroller Lcd Module is available in our book collection an online access to it is set as public so you can download it instantly. Our digital library spans in multiple locations, allowing you to get the most less latency time to download any of our books like this one. Merely said, Interfacing 16x2 Lcd With 8051 Microcontroller Lcd Module is universally compatible with any devices to read.

Find Interfacing 16x2 Lcd With 8051 Microcontroller Lcd Module :

american history connecting past volume

[ajs matchless parts and year guide jampot](#)

american cursive handwriting michael sull pdf

alm content available may 1 lexisnexis

al 539 messe de saint jean baptiste s3 e monsite

aiwa service

[air ultrasonic ceramic transducers 400st r160 impedance](#)

air circuit breaker manual areva hwx 138 197 40 88

[akshay kumar mobile phone number email id address website](#)

aircraft engine design software

american government textbook answers prentice hall 1998 edition

all night prayer format programs

allahumma salli ala sayyidina muhammad thesufi

altair 8800 clone computer table of contents

amc workbrain user guide

Interfacing 16x2 Lcd With 8051 Microcontroller Lcd Module :

biology 105 exam 2 napa valley pqr uiaf gov co - Jul 02 2022

web biology 105 exam 2 napa valley can be taken as capably as picked to act wastewater stabilization lagoon j s russell 1980
explorations beth shook 2019 12 20 welcome

biology 105 final review flashcards quizlet - Feb 26 2022

web concepts of biology final review mr knowles class learn with flashcards games and more for free

biol 105 human biology studocu - Aug 15 2023

web studying biol 105 human biology at napa valley college on studocu you will find lecture notes practice materials
mandatory assignments and much more for biol 105

practice midterm exam 2 napa valley college yumpu - Apr 11 2023

web practice midterm exam 2 napa valley college attention your epaper is waiting for publication by publishing your
document the content will be optimally indexed by

search results napa valley college - Sep 04 2022

web biol 105 4 units human biology 54 hours lecture 54 hours lab 108 hours total prerequisites or corequisites concurrent
enrollment in or previous completion of chem

biology 105 exam 2 napa valley full pdf - Oct 05 2022

web biology 105 exam 2 napa valley ibps bank clerk preliminary exam megabook guide past papers 15 practice sets 3rd
edition apr 10 2021 the ibps clerk prelim exam

practice midterm exam 2 napa valley college yumpu - Jun 13 2023

web practice midterm exam 2 napa valley college en english deutsch français español portugués italiano român nederlands
latina dansk svenska norsk magyar bahasa

biology105exam2napavalley pdf logs erpNext - Jan 28 2022

web biologists on one side to foresee agricultural applications for their discoveries and of the breeders to exploit gene
function studies to apply to candidate gene approaches when

biology 105 exam 2 napa valley pdf uniport edu - Jan 08 2023

web jul 23 2023 biology 105 exam 2 napa valley so simple meeting standards through integrated curriculum susan m drake 2004 if you ve ever thought that standards based

practice midterm exam 2 napa valley college yumpu - May 12 2023

web practice midterm exam 2 napa valley college en english deutsch français español português italiano român nederlands latina dansk svenska norsk magyar bahasa

biol 105 human biology napa valley college course hero - Jul 14 2023

web access study documents get answers to your study questions and connect with real tutors for biol 105 human biology at napa valley college upload to study expert help

biology biol napa valley college - Dec 07 2022

web biol 105 4 units human biology 54 hours lecture 54 hours lab 108 hours total a survey of human biology focusing on anatomy physiology cell development tissues organs

biology 105 exam 2 napa valley pdf ftp bonide - Aug 03 2022

web biology 105 exam 2 napa valley 5 5 and disciplinary societies can take to more effectively conduct facilitate and evaluate interdisciplinary research programs and

bio 105 final exam flashcards quizlet - Jun 01 2022

web an amino acid will always have what functional group s carboxylic acid and amino a nucleic acid monomer consists of sugar phosphate and nitrogen base 3 components

biology 105 practice final exam flashcards quizlet - Mar 30 2022

web a body cell of a certain newt contains 20 chromosomes if you find a cell containing 10 chromosomes in the newt it can explained as a gamete produced by meiosis the

practice midterm exam 2 napa valley college yumpu - Mar 10 2023

web practice midterm exam 2 napa valley college en english deutsch français español português italiano român nederlands latina dansk svenska norsk magyar bahasa

bio 105 final exam flashcards quizlet - Apr 30 2022

web bio 105 final exam 5 0 1 review flashcards learn test match hydrophobic bases stack in center hydrophobic effect maximized 2 strands of dna are

biology 105 exam 2 flashcards quizlet - Nov 06 2022

web phospholipid bilayer 2 layer sheet where hydrophilic heads face outward and hydrophobic tails are within 1 plants have cell walls 2 plants have chloroplast 3 plants have a

bio 105 f 2015 60544 64561 final lecture exam alternative q - Feb 09 2023

web final exam paper biology 105 human biology final exam alt session 2015 sections class location days time instructor fall 60544 units 838 2030 th 8 00 am 9 skip to document

99 tipps für erfolgreiche telefonate die erfolgspotenziale von - Jun 01 2022

web erfolgreiche telefonate die 99 tipps für erfolgreiche telefonate claudia fischer 99 tipps für erfolgreiche telefonate 8 audio cds hörbuch 99 tipps fuer erfolgreiche telefonate

99 tipps für erfolgreiche telefonate die erfolgspotenziale von - May 12 2023

web erfolgreiche telefonate die 99 tipps für erfolgreiche telefonate by claudia fischer media cms uki ac id 1 14 99 tipps für erfolgreiche telefonate die erfolgspotenziale

99 tipps für erfolgreiche telefonate die erfolgspotenziale von - Mar 30 2022

web erfolgreiche telefonate ebook rakuten kobo 99 tipps für erfolgreiche telefonate die Über den autor und weitere mitwirkende claudia fischer gilt als eine der

99 tipps für erfolgreiche telefonate die erfolgspotenziale von - Jul 14 2023

web 99 tipps für erfolgreiche telefonate ebook rakuten kobo umsetzung essentials für die unternehmensführung scribd 99 tipps für erfolgreiche telefonate die 99 tipps für

99 tipps für erfolgreiche telefonate die erfolgspotenziale von - Sep 04 2022

web telefonate bücher business 99 tipps für erfolgreiche telefonate die 99 tipps für erfolgreiche telefonate buch 99 tipps für erfolgreiche telefonate die professionelles

99 tipps für erfolgreiche telefonate die erfolgspotenziale von - Nov 25 2021

web 99 tipps für erfolgreiche telefonate die erfolgspotenziale von telefonaten optimal nutzen whitebooks by claudia fischerprofessioneller telefonieren wollen ohne dabei

99 tipps für erfolgreiche telefonate die erfolgspotenziale von - Sep 23 2021

web zeitblüten 99 tipps für erfolgreiche telefonate fischer claudia 99 tipps für erfolgreiche telefonate die 99 tipps für erfolgreiche telefonate claudia fischer whitebooks 99

99 tipps für erfolgreiche telefonate die erfolgspotenzi - Feb 26 2022

web telefonate die 99 tipps für erfolgreiche telefonate die 99 tipps für erfolgreiche telefonate ebook pdf von 99 tipps für erfolgreiche telefonate die erfolgspotenziale 99

99 tipps für erfolgreiche telefonate die erfolgspotenziale von - Aug 15 2023

web 99 tipps für erfolgreiche telefonate die erfolgspotenziale von telefonaten optimal nutzen whitebooks by claudia fischer 99 tipps für erfolgreiche telefonate die 99

99 tips für erfolgreiche telefonate die erfolgspotenziale von - Jun 13 2023

web jun 4 2023 99 tips für erfolgreiche telefonate die 99 tips für erfolgreiche telefonate die erfolgspotenziale 99 tips für erfolgreiche telefonate die endlich studium book

telefonieren 44 tips für professionelle telefonate - Mar 10 2023

web richten sie ihre ganze aufmerksamkeit auf das gespräch und seien sie freundlich melden sie sich kurz und knackig damit anrufer wissen dass sie richtig verbunden sind dann

99 tips für erfolgreiche telefonate die erfolgspotenziale von - Dec 07 2022

web 99 tips für erfolgreiche telefonate die erfolgspotenziale von telefonaten optimal nutzen whitebooks by claudia fischer may 14th 2020 rezenion zu 99 tips für

checkliste kleiner knigge für das erfolgreiche telefonieren - Jan 08 2023

web was sie sagen und vor allem wie sie es sagen ist ausschlaggebend sprechen sie deutlich seien sie zu jedem gesprächspartner gleich freundlich und höflich lassen sie

99 tips für erfolgreiche telefonate die erfolgspotenziale von - Dec 27 2021

web tips für erfolgreiche telefonate die 99 tips für erfolgreiche telefonate home facebook professionelles telefonieren 9 tips zeitblüten 99 tips für erfolgreiche telefonate

ebook 99 tips für erfolgreiche telefonate die erfolgsp - Apr 11 2023

web der praxis bewährte tips checklisten und tools erleichtern die konkrete umsetzung telefonieren apr 06 2022 telefongespräche sei es mit kunden kollegen oder

99 tips für erfolgreiche telefonate die erfolgspotenziale von - Jul 02 2022

web aug 13 2023 weiterbildungsangebot hörbuch magazin i 2017 by buchwerbung der neun issuu 9d14efd 99 tips für erfolgreiche telefonate die 99 tips für erfolgreiche

erfolgreich telefonieren 8 praktische tips arbeitstipps de - Oct 05 2022

web erfolgreich telefonieren kann man lernen ganz wichtig ist die vorbereitung vor dem telefonat gewinnen sie den kunden für sich mit unseren praktischen tips jetzt lesen

schwierige telefonate meistern 3 beispiele experto de - Aug 03 2022

web schwierige telefonate meistern 3 beispiele diese 3 strategien können ihnen dabei helfen schwierige telefonate galant zu lösen situation neutralisieren distanzieren sie sich

99 tips für erfolgreiche telefonate die erfolgspotenziale von - Apr 30 2022

web spielregeln für partnerschaftlichen 99 tips für erfolgreiche telefonate die 99 tips für erfolgreiche telefonate die Über den autor und weitere mitwirkende claudia fischer

99 tipps für erfolgreiche telefonate die erfolgspotenziale von - Oct 25 2021

web great that s what the photo album enpdfd epub 99 tipps für erfolgreiche telefonate die erfolgspotenziale von telefonaten optimal nutzen whitebooks will present for every reader

telefongespräche tipps für mehr erfolg marketing ideen - Nov 06 2022

web telefongespräche checkliste mit infos über die korrekte entgegennahme und weiterleitung ihr call center ist die visitenkarte von ihrem unternehmen auch wenn

99 tipps für erfolgreiche telefonate die erfolgspotenziale von - Jan 28 2022

web tipps für erfolgreiche telefonate die 99 tipps für erfolgreiche telefonate die telefontraining claudiafischer de sportgeschichten 1 cd books repositories pdf

99 tipps für erfolgreiche telefonate die erfolgsp - Feb 09 2023

web telefon sales und business telefonate die leser erwartet eine fülle an hinweisen checklisten und kleinen Übungen die sie dabei unterstützen rhetorisch auf ganzer linie

getting to know arcgis for desktop third edition available esri - Nov 29 2022

web feb 27 2013 getting to know arcgis for desktop third edition isbn 978 1 58948 308 8 768 pages us 84 95 is available at online retailers worldwide at esri com esripress or by calling 1 800 447 9778 outside the united states visit esri com esripressorders for complete ordering options or visit esri com distributors to

getting to know arcgis desktop amazon com - May 04 2023

web mar 23 2018 data for completing the exercises and a 180 day free trial of arcgis desktop are available for download an e book of getting to know arcgis desktop fifth edition isbn 9781589485112 99 99 is available at most e book retailers note esri press e books do not include 180 day trial software

getting to know arcgis desktop fifth edition esri press - Oct 09 2023

web by michael law amy collins getting to know arcgis desktop fifth edition introduces the principles of gis via hands on exercises and shows readers how to use arcgis desktop 10 6 tools to display and present maps and

gis books publications tutorials online esri press - Oct 29 2022

web connect with the esri press team buy gis books in digital and print formats publications and access gis tutorials online explore additional gis resources and guides

getting to know arcgis desktop amazon com - Mar 02 2023

web aug 1 2010 getting to know arcgis desktop introduces principles of gis as it teaches the mechanics of using esri s leading technology key concepts are combined with detailed illustrations and step by step exercises to acquaint readers with the building blocks of arcgis desktop including arcmap for displaying and querying maps

esri publishes getting to know arcgis fourth edition - Jul 06 2023

web jul 13 2015 getting to know arcgis provides a comprehensive understanding of all the tools and functionality available in arcgis 10 3 1 for desktop redlands california learn the fundamentals of making digital maps analyzing geospatial data and building and editing spatial databases using the workbook getting to know arcgis fourth edition

getting to know web gis 5e esri press arcgis - Feb 18 2022

web dec 15 2021 the items in this group are used in the book getting to know web gis 5th edition in this book you will work with arcgis online arcgis pro arcgis storymaps arcgis experience builder arcgis instant apps arcgis field maps arcgis image for arcgis online and arcgis notebooks you will get to try out a virtual reality app deep

getting to know arcgis for desktop third edition esri - Jun 05 2023

web getting to know arcgis for desktop can be used as a classroom text independent study guide or reference it is indexed and has a glossary of gis terms it includes a dvd containing the maps data and results for the exercises and access to a 180 day trial of arcgis 10 1 for desktop esri press 2013 768 pp isbn 9781589483088 related

getting to know arcgis pro 2 8 esri press - Aug 27 2022

web dec 28 2021 getting to know arcgis pro 2 8 introduces the tools and functions of arcgis pro the powerful desktop gis application geographic information system gis software is making a huge impact in businesses and organizations with mapping and analytic capabilities

solved getting to know arcgis desktop 5th edition book esri - May 24 2022

web nov 14 2020 1 solution by craig carpenter 11 04 2021 12 19 pm hi here a link to a zipfile of the exercise data download the data create a folder on your c drive named esripress unzip the data and place it inside the folder view solution in original post reply 0 kudos 18 replies by craig carpenter 11 16 2020 10 05 am hi eliza sorry you are

getting to know arcgis desktop 10 8 esri press - Aug 07 2023

web feb 9 2022 arcgis online group for the esri press book getting to know arcgis desktop 10 8 a brief summary of the group is not available add a brief summary about the group owned by esripress gettingtoknowarcgisdesktop10 8

solved getting to know arcgis desktop esri community - Apr 22 2022

web jan 12 2022 new contributor ii i am attempting to locate the data for download to be used with the trial version of arcgis desktop can someone post the link or instructions on where to locate this which is supposed to be downloaded for the directory c esripress gtkarcgis

getting to know arcgis desktop the basics of arcview - Feb 01 2023

web jun 1 2004 tim ormsby eileen napoleon robert burke carolyn groessl and laura feaster are all technical writers at esri press and authors of getting to know arcview gis and extending arcview gis they live in redlands california burke is an esri

instructors after receiving her master s degree in geography eileen j napoleon went to

getting to know arcgis desktop 10 8 esri press - Sep 08 2023

web jul 5 2022 *getting to know arcgis desktop 10 8 sixth edition* is the classic textbook that introduces readers to the features and tools of arcgis desktop specifically arcmap the popular professional geographic information system gis application from esri rooted in the science of geography gis is a framework for gathering managing and analyzing

getting to know arcgis desktop chapter 1 esri - Apr 03 2023

web learn a little about arcgis desktop the latest gis software from esri new layer

getting to know arcgis for desktop third edition esri - Dec 31 2022

web getting to know arcgis for desktop third edition 180 day trial of arcgis 10 1 for desktop both authors have gis backgrounds and technical writing experience michael law worked for rand mcnally canada and as a cartographer for esri press where he de veloped cartography for books and edited and tested gis workbooks now based in

getting to know arcgis 10 8 exercise data overview - Jul 26 2022

web this is the exercise data for the book getting to know arcgis desktop 10 8 a brief summary of the item is not available add a brief summary about the item document link by esripress gettingtoknowarcgisdesktop10 8 item created jan 12 2021 item updated jul 22 2021 view count 353 snapshot last refreshed

getting to know arcgis 10 8 exercise data zip file - Jun 24 2022

web jul 22 2021 overview this is the exercise data for the book getting to know arcgis desktop 10 8 geoprocessing sample by esripress gettingtoknowarcgisdesktop10 8 item created jul 22 2021 item updated jan 13 2022 number of downloads 4 610 download description click download to begin downloading this item provides the data as a zip

getting to know arcgis desktop tim ormsby google books - Sep 27 2022

web getting to know arcgis desktop introduces principles of gis as it teaches the mechanics of using esri s leading technology key concepts are combined with detailed illustrations and step by step exercises to acquaint readers with the building blocks of arcgis r desktop including arcmap tm for displaying and querying maps arcatalog tm for

solved getting to know arcgis desktop 5th edition exercis esri - Mar 22 2022

web feb 2 2021 1 solution by craig carpenter 02 02 2021 11 33 am hi i just tested it and was able to download i think your browser is probably wanting you to confirm that you want to download the executable file if you are using chrome try this once you right click the link and click save as look at the bottom left of your browser it may look like this