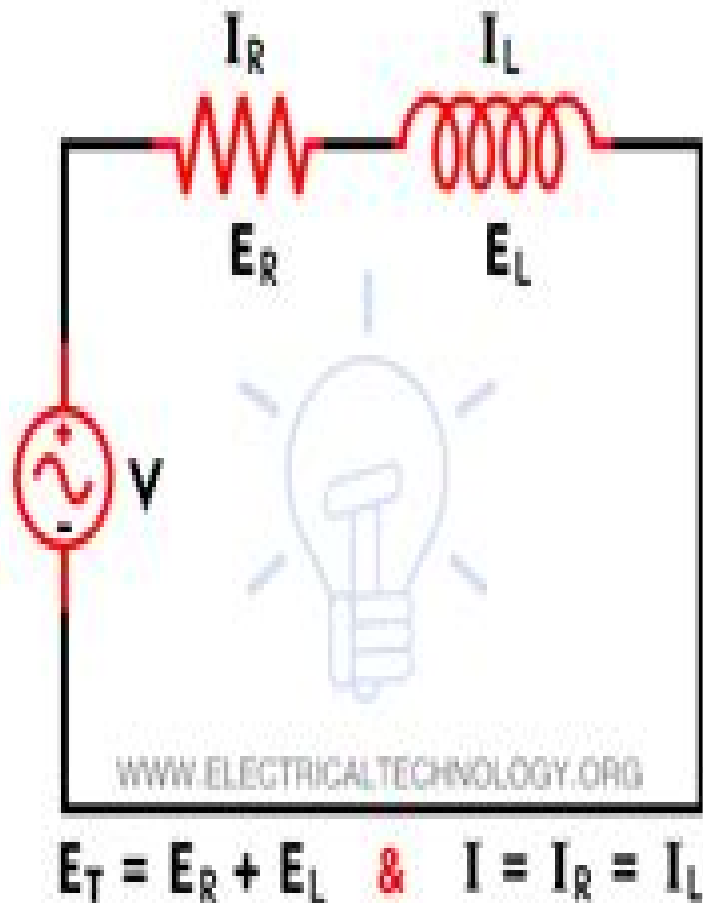
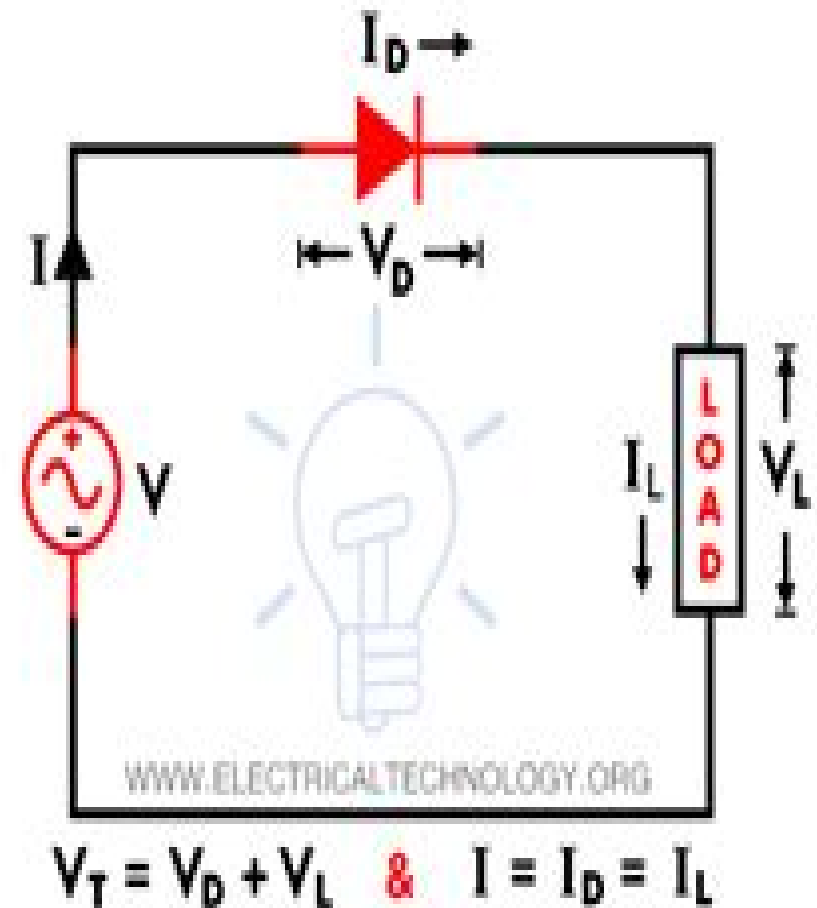


Difference Between Linear and Nonlinear Circuit



Linear Circuit



Nonlinear Circuit

Linear And Nonlinear Circuits

RJ Shavelson



Linear And Nonlinear Circuits:

Whispering the Techniques of Language: An Emotional Journey through **Linear And Nonlinear Circuits**

In a digitally-driven earth where screens reign supreme and quick interaction drowns out the subtleties of language, the profound secrets and emotional nuances hidden within phrases often get unheard. Yet, located within the pages of **Linear And Nonlinear Circuits** a fascinating fictional prize pulsating with natural emotions, lies an exceptional quest waiting to be undertaken. Penned by a skilled wordsmith, that marvelous opus encourages visitors on an introspective trip, lightly unraveling the veiled truths and profound affect resonating within the very material of each word. Within the emotional depths of the emotional review, we will embark upon a genuine exploration of the book's core styles, dissect its fascinating writing fashion, and fail to the strong resonance it evokes deep within the recesses of readers' hearts.

<https://py.bijouxmedusa.com/About/scholarship/default.aspx/manual%20de%20honda%20civic%202001%20en%20espanol%20gratis.pdf>

Table of Contents Linear And Nonlinear Circuits

1. Understanding the eBook Linear And Nonlinear Circuits
 - The Rise of Digital Reading Linear And Nonlinear Circuits
 - Advantages of eBooks Over Traditional Books
2. Identifying Linear And Nonlinear Circuits
 - Exploring Different Genres
 - Considering Fiction vs. Non-Fiction
 - Determining Your Reading Goals
3. Choosing the Right eBook Platform
 - Popular eBook Platforms
 - Features to Look for in a Linear And Nonlinear Circuits
 - User-Friendly Interface
4. Exploring eBook Recommendations from Linear And Nonlinear Circuits
 - Personalized Recommendations

- Linear And Nonlinear Circuits User Reviews and Ratings
- Linear And Nonlinear Circuits and Bestseller Lists
- 5. Accessing Linear And Nonlinear Circuits Free and Paid eBooks
 - Linear And Nonlinear Circuits Public Domain eBooks
 - Linear And Nonlinear Circuits eBook Subscription Services
 - Linear And Nonlinear Circuits Budget-Friendly Options
- 6. Navigating Linear And Nonlinear Circuits eBook Formats
 - ePub, PDF, MOBI, and More
 - Linear And Nonlinear Circuits Compatibility with Devices
 - Linear And Nonlinear Circuits Enhanced eBook Features
- 7. Enhancing Your Reading Experience
 - Adjustable Fonts and Text Sizes of Linear And Nonlinear Circuits
 - Highlighting and Note-Taking Linear And Nonlinear Circuits
 - Interactive Elements Linear And Nonlinear Circuits
- 8. Staying Engaged with Linear And Nonlinear Circuits
 - Joining Online Reading Communities
 - Participating in Virtual Book Clubs
 - Following Authors and Publishers Linear And Nonlinear Circuits
- 9. Balancing eBooks and Physical Books Linear And Nonlinear Circuits
 - Benefits of a Digital Library
 - Creating a Diverse Reading Collection Linear And Nonlinear Circuits
- 10. Overcoming Reading Challenges
 - Dealing with Digital Eye Strain
 - Minimizing Distractions
 - Managing Screen Time
- 11. Cultivating a Reading Routine Linear And Nonlinear Circuits
 - Setting Reading Goals Linear And Nonlinear Circuits
 - Carving Out Dedicated Reading Time
- 12. Sourcing Reliable Information of Linear And Nonlinear Circuits
 - Fact-Checking eBook Content of Linear And Nonlinear Circuits

- Distinguishing Credible Sources
- 13. Promoting Lifelong Learning
 - Utilizing eBooks for Skill Development
 - Exploring Educational eBooks
- 14. Embracing eBook Trends
 - Integration of Multimedia Elements
 - Interactive and Gamified eBooks

Linear And Nonlinear Circuits Introduction

Linear And Nonlinear Circuits Offers over 60,000 free eBooks, including many classics that are in the public domain. Open Library: Provides access to over 1 million free eBooks, including classic literature and contemporary works. Linear And Nonlinear Circuits Offers a vast collection of books, some of which are available for free as PDF downloads, particularly older books in the public domain. Linear And Nonlinear Circuits : This website hosts a vast collection of scientific articles, books, and textbooks. While it operates in a legal gray area due to copyright issues, its a popular resource for finding various publications. Internet Archive for Linear And Nonlinear Circuits : Has an extensive collection of digital content, including books, articles, videos, and more. It has a massive library of free downloadable books. Free-eBooks Linear And Nonlinear Circuits Offers a diverse range of free eBooks across various genres. Linear And Nonlinear Circuits Focuses mainly on educational books, textbooks, and business books. It offers free PDF downloads for educational purposes. Linear And Nonlinear Circuits Provides a large selection of free eBooks in different genres, which are available for download in various formats, including PDF. Finding specific Linear And Nonlinear Circuits, especially related to Linear And Nonlinear Circuits, might be challenging as theyre often artistic creations rather than practical blueprints. However, you can explore the following steps to search for or create your own Online Searches: Look for websites, forums, or blogs dedicated to Linear And Nonlinear Circuits, Sometimes enthusiasts share their designs or concepts in PDF format. Books and Magazines Some Linear And Nonlinear Circuits books or magazines might include. Look for these in online stores or libraries. Remember that while Linear And Nonlinear Circuits, sharing copyrighted material without permission is not legal. Always ensure youre either creating your own or obtaining them from legitimate sources that allow sharing and downloading. Library Check if your local library offers eBook lending services. Many libraries have digital catalogs where you can borrow Linear And Nonlinear Circuits eBooks for free, including popular titles. Online Retailers: Websites like Amazon, Google Books, or Apple Books often sell eBooks. Sometimes, authors or publishers offer promotions or free periods for certain books. Authors Website Occasionally, authors provide excerpts or short stories for free on their websites. While this might not be the Linear And

Nonlinear Circuits full book , it can give you a taste of the authors writing style.Subscription Services Platforms like Kindle Unlimited or Scribd offer subscription-based access to a wide range of Linear And Nonlinear Circuits eBooks, including some popular titles.

FAQs About Linear And Nonlinear Circuits Books

1. Where can I buy Linear And Nonlinear Circuits books? Bookstores: Physical bookstores like Barnes & Noble, Waterstones, and independent local stores. Online Retailers: Amazon, Book Depository, and various online bookstores offer a wide range of books in physical and digital formats.
2. What are the different book formats available? Hardcover: Sturdy and durable, usually more expensive. Paperback: Cheaper, lighter, and more portable than hardcovers. E-books: Digital books available for e-readers like Kindle or software like Apple Books, Kindle, and Google Play Books.
3. How do I choose a Linear And Nonlinear Circuits book to read? Genres: Consider the genre you enjoy (fiction, non-fiction, mystery, sci-fi, etc.). Recommendations: Ask friends, join book clubs, or explore online reviews and recommendations. Author: If you like a particular author, you might enjoy more of their work.
4. How do I take care of Linear And Nonlinear Circuits books? Storage: Keep them away from direct sunlight and in a dry environment. Handling: Avoid folding pages, use bookmarks, and handle them with clean hands. Cleaning: Gently dust the covers and pages occasionally.
5. Can I borrow books without buying them? Public Libraries: Local libraries offer a wide range of books for borrowing. Book Swaps: Community book exchanges or online platforms where people exchange books.
6. How can I track my reading progress or manage my book collection? Book Tracking Apps: Goodreads, LibraryThing, and Book Catalogue are popular apps for tracking your reading progress and managing book collections. Spreadsheets: You can create your own spreadsheet to track books read, ratings, and other details.
7. What are Linear And Nonlinear Circuits audiobooks, and where can I find them? Audiobooks: Audio recordings of books, perfect for listening while commuting or multitasking. Platforms: Audible, LibriVox, and Google Play Books offer a wide selection of audiobooks.
8. How do I support authors or the book industry? Buy Books: Purchase books from authors or independent bookstores. Reviews: Leave reviews on platforms like Goodreads or Amazon. Promotion: Share your favorite books on social media or recommend them to friends.

9. Are there book clubs or reading communities I can join? Local Clubs: Check for local book clubs in libraries or community centers. Online Communities: Platforms like Goodreads have virtual book clubs and discussion groups.
10. Can I read Linear And Nonlinear Circuits books for free? Public Domain Books: Many classic books are available for free as they're in the public domain. Free E-books: Some websites offer free e-books legally, like Project Gutenberg or Open Library.

Find Linear And Nonlinear Circuits :

manual de honda civic 2001 en espanol gratis

managerial accounting maher 11th edition answers

malayali chechi hot photos

~~loving someone with ptsd a practical guide to understanding and connecting with your partner after trauma the new harbinger loving someone series~~

manual de psicologia clinica y de la salud hospitalaria

~~management control systems 12th edition test bank~~

making the grass greener on your side a ceos journey to leading by serving

~~managerial economics questions and answers download~~

magazine proposal sample

livre de recette genevieve everell

lyrics of never enough

livre de math 4eme transmath correction

mankiw principles of macroeconomics 5th edition answers pdf

los horoscops de kala ruiz y sus predicciones gratis

macroeconomics mcconnell 19th edition

Linear And Nonlinear Circuits :

essential vocabulary for collegebound students sb pdf scribd - Aug 24 2022

web 62 essential vocabulary for college bound students exercise v circle the letter of the correct choice to complete each sentence l things that are juxtaposed are not a parallel b distant from each other c akin d commonly found 2 a travesty is never a publicly acknowledged b humorous c the result of a proclivity for burlesque d

vocabulary for the college bound student amazon com - Jan 29 2023

web jan 1 2006 this item vocabulary for the college bound student 29 92 29 92 get it as soon as monday jul 31 only 4 left in stock order soon sold by ari store and ships from amazon fulfillment language network grade 11 25 96 25 96 get it jul 28 aug 4 in stock ships from and sold by a plus textbooks

vocabulary for the college bound prestwick house - Jun 02 2023

web home vocabulary vocabulary for the college bound vocabulary for the college bound proven vocabulary instruction updated for today s challenges download a sample class sets from 179 99 student editions from 7 95 give students the tools they need to learn new words

vocabulary for the college bound lesson one - Sep 24 2022

web sep 6 2010 vocabulary for the college bound lesson one linda f united states of america 14 words 19 learners learn words with flashcards and other activities vocabulary jams and spelling bees to your students and monitor their progress in real time full list of words from this list

vocabulary for the college bound student amazon com - Aug 04 2023

web jan 1 2003 this item vocabulary for the college bound student 23 89 23 89 get it nov 13 14 in stock ships from and sold by books scavenger catholic social teaching student book christian life in society 30 95 30 95 get it as soon as saturday nov 11 in stock ships from and sold by amazon com

vocabulary for the college bound student flashcards quizlet - Feb 15 2022

web monarchy n rule by a single person monochromatic adj of one color monocle n eyeglass for one eye monogamy n marriage with one mate at a time study with quizlet and memorize flashcards containing terms like phobia n acrophobia n agoraphobia n

vocabulary for the college bound student fourth edition - Nov 26 2022

web give college bound students a major boost to their vocabulary with this rigorous program designed to build familiarity and usage of over 1 000 words students gain repeated exposures to new words through exercises focused on contextual analysis standards based skills practice word origins greek and latin derivatives and vocabulary from act sat

vocabulary for the college bound student group 1 flashcards - Jul 23 2022

web injury exotic adj foreign folly n lack of good sense formerly adv previously harmony n friendly relations

vocabulary for the college bound student second ed r 573 h - May 01 2023

web jan 1 1983 vocabulary for the college bound students deals with sat and gre vocabulary this type of vocabulary is not listed in alphabetical order but it is grouped in themes which makes it easy to remember in addition to it the book also provides variety of different vocabulary excercises for retaining the vocabulary as i indicated above the

vocabulary for the college bound student chapter 7 - Apr 19 2022

web vocabulary for the college bound student chapter 8 147 terms toriiblackburnn genetics 41 terms toriiblackburnn verified questions vocabulary for each blank in the following sentences write a pronoun ending in self or selves that correctly completes the sentence then identify the pronoun by writing above it ref for

vocabulary perfection learning - Oct 06 2023

web vocabulary for the college bound student fourth edition contents chapter 1 the importance of vocabulary to you 1 vocabulary and thinking 1 vocabulary and college admission 1 vocabulary growth through reading 1 vocabulary growth through this book 2 attack 1 learning new words from the context 2 attack 2

vocabulary for the college bound 2nd edition quizlet - May 21 2022

web english vocabulary vocabulary for the college bound 2nd edition isbn 9781620191149 james scott textbook solutions verified chapter 1 page 6 exercise i page 7 exercise ii page 8 exercise iii page 9 exercise iv exercise a exercise b exercise c exercise d exercise e exercise f exercise g exercise h exercise i chapter 2 page 12 exercise i

vocabulary for the college bound student chapter 2 group 1 - Jun 21 2022

web vocabulary words from the book vocabulary for the college bound student by harold levine terms in this set 20 ameliorate v become better make better improve conserve v to keep from waste loss or decay save detriment n injury damage or something that causes it disadvantage

vocabulary for the college bound student 4th edition quizlet - Sep 05 2023

web section 1 contexts with contrasting words section 2 contexts with similar words section 3 commonsense contexts section 4 mixed contexts page 5 pretest 1 page 10 exercise 2 1 sentence completion page 11 exercise 2 2 concise writing page 12 exercise 2 3 close reading page 13 exercise 2 4 antonyms page 13 exercise 2 5 composition page 14

vocabulary for the college bound student perfection learning - Mar 19 2022

web founded by two educators in 1926 perfection learning provides high quality innovative curriculum solutions to k 12 schools across the country and internationally for over 90 years perfection learning has been a leader in literature and language arts programs for grades 6 12 these programs cover the complete range of language arts

important words for college students vocabulary list vocabulary - Dec 28 2022

web sep 9 2011 make a proposal declare a plan for something the dean of students laughed lightly when i suggested that this behavior might be grounds for sending the student on a brief vacation legacy a gift of personal property by will the legacy of their college years will be a legacy of difficulties overcome

vocabulary for the college bound student list 1 flashcards - Mar 31 2023

web vocabular for the college bound student list 1 learn with flashcards games and more for free

[vocabulary for the college bound student amazon com](#) - Feb 27 2023

web jan 1 1992 vocabulary for the college bound students deals with sat and gre vocabulary this type of vocabulary is not listed in alphabetical order but it is grouped in themes which makes it easy to remember in addition to it the book also provides variety of different vocabulary exercises for retaining the vocabulary as indicated above the

vocabulary for the college bound student perfection learning - Oct 26 2022

web program features resources features context based learning discover over 1 000 high frequency vocabulary words through unique contextual delivery lessons introduce words in groups based on central ideas words from context derivatives latin anglo saxon and greek word parts and foreign languages standards based skills practice

vocabulary for the college bound student levine harold free - Jul 03 2023

web the importance of vocabulary to you learning new words from context building vocabulary through central ideas words derived from greek words derived from latin words from classical mythology and history anglo saxon vocabulary french words in english italian words in english spanish words in english expanding vocabul

test bank for exploring lifespan development 2nd edition berk - May 01 2022

web test bank for exploring lifespan development 2nd edition berk digital instant download

test bank - Feb 10 2023

web test bank for berk exploring lifespan development second edition prepared by kimberly michaud william b tierney thereof may be reproduced with exploring lifespan development second edition by laura e berk provided such reproductions bear copyright notice but may not be reproduced in any form for any other purpose without

test bank for berk lifespan development - Feb 27 2022

web test bank for berk lifespan development exploring lifespan development feb 14 2023 this shorter essentials version of berk s best selling development through the lifespan 5 e covers the same topics and contains the same number of chapters but presents only the essential information with an exceptionally strong emphasis on

development through the lifespan berk complete test bank exam - Jul 15 2023

web feb 27 2022 development through the lifespan berk complete test bank exam questions quizzes updated 2022

description test bank with practice exam questions and their answers compatible with different editions newer and older various difficulty levels from easy to extremely hard the complete book is covered all chapters

test bank for exploring lifespan development 2nd edition berk - Jul 03 2022

web aug 13 2023 16 the lifespan perspective on development assumes that a development is static and stable b events that occur during infancy and early childhood have the strongest impact on the life course

[test bank for exploring lifespan development 4th edition](#) - Oct 06 2022

web this test bank for exploring lifespan development 4th edition by laura e berk contains 19 test banks for all 19 chapters of the book all tests are in word format instant download after payment purchase categories psychology teaching resources test banks tags laura e berk pearson test bank description reviews 0 description

test bank for development through the lifespan 7th edition laura e berk - May 13 2023

web of 1 test bank for development through the lifespan 7th edition laura e berk full chapter at testbankbell com product test bank for development through the lifespan 7th edition laura e berk unparalleled among human development texts in a class by itself with its seamless integration of

test bank for exploring lifespan development 3e berk - Dec 08 2022

web test bank for exploring lifespan development 3 e laura e berk isbn 10 0205957382 isbn 13 9780205957385 isbn 10 0205968961 isbn 13 9780205968961 you are buying test bank a test bank is collection of test questions tailored to the contents of an individual text book

test bank for exploring lifespan development 4th edition by berk - Aug 16 2023

web test bank for exploring lifespan development 4th edition by berk free download as pdf file pdf text file txt or read online for free test bank

life span development test bank final review flashcards - Mar 11 2023

web 2 less responsive mothers had more crying in infants 3 more crying in infants had less responsive mothers 4 less crying in infants had more responsive mothers the two constructs of self and identity have some overlap but are also distinct and have been studied in different ways true

development through the lifespan berk 6th edition test bank - Dec 28 2021

web are you looking for exam preparation materials for your development through the lifespan berk class get a test bank and start preparing the smart way test bank contains a lot of practice tests quizzes prepared specifically and exclusively by the author s of your textbook

test bank for exploring lifespan development 4th edition by laura e berk - Jan 09 2023

web apr 10 2022 test bank for exploring lifespan development 4th edition by laura e berk table of content 1 history theory and research strategies 2 genetic reproductive choices and environmental foundations 3 prenatal development birth and the newborn baby 4 physical development in infancy and tod show more

exploring lifespan development berk test bank pdf old vulkk - Jan 29 2022

web questions and exercises the marshmallow test 4 4 exploring lifespan development berk test bank 2021 01 11 wcb mcgraw hill note you are purchasing a standalone product mydevelopme ntlab does not come packaged with this content if you would like to purchase both the

exploring lifespan development 4th edition berk test bank - Sep 05 2022

web download exploring lifespan development 4th edition berk test bank instantly and printed pdf and if you re for more you re in the right place discover now instantly access and download your orders

test bank for exploring lifespan development 4th edition by berk - Apr 12 2023

web dec 19 2021 test bank for exploring lifespan development 4th edition by berk complete downloadable file at 1 dr langley s work is devoted to understanding constancy and change throughout the lifespan dr langley s field of study is a genetics b clinicalpsychology c adolescent develop

test bank questions for lifespan development berk full pdf - Mar 31 2022

web test bank questions for lifespan development berk child development sep 10 2022 readers are provided with an especially clear and coherent understanding of the sequence and underlying processes of child development and the effective topical organization emphasizes to readers the way in which

test bank for berk development through the lifespan third edition - Jun 02 2022

web jan 1 2004 test bank for berk development through the lifespan third edition paperback january 1 2004 by naomi tyler author see all formats and editions

test bank development through the lifespan berk 7th edition test bank - Aug 04 2022

web eztestbank com is the web leading test banks provider for most academic textbooks test item file practice test bank for development through the lifespan berk 7th edition test bank solutions manual delivery method email download link file covers all chapters within your textbook free samples are provided before purchase

exploring lifespan development 4th edition berk test bank - Jun 14 2023

web test bank for berk exploring lifespan development 4e answer a major problem in trying to separate heredity and environment is that they are often correlated according to the concept of gene environment correlation our genes influence the environments to which we are exposed

exploring lifespan development 4th edition berk test bank - Nov 07 2022

web you are buying test bank for exploring lifespan development 4th edition by berk test bank comes in a pdf or word format and available for download only exploring lifespan development 4th edition berk berk test bank with answer keys for the tests question only no solutions for textbook s question included on this purchase

wolfgang tillmans artworks for sale more artsy - Apr 20 2022

web discover and purchase wolfgang tillmans s artworks available for sale browse our selection of paintings prints and sculptures by the artist and find art you love

wolfgang tillmans born 1968 tate - Jun 03 2023

web biography wolfgang tillmans born 16 august 1968 is a german photographer his diverse body of work is distinguished by observation of his surroundings and an ongoing investigation of the photographic medium s foundations tillmans was the first photographer and first non british person to be awarded the turner prize

the life and art of wolfgang tillmans the new yorker - Feb 28 2023

web sep 3 2018 profiles the life and art of wolfgang tillmans for three decades the photographer has explored the fragility of the political consensus on which his personal utopia depends by emily witt

the inclusive pansexual 90s seem a long way away wolfgang tillmans - Aug 25 2022

web sep 12 2022 wolfgang tillmans the inclusive pansexual 90s seem a long way away wolfgang tillmans gets retrospective exhibition to look without fear at new york s museum of modern art displays a

wolfgang tillmans still life new york the metropolitan museum of art - Jun 22 2022

web overview provenance exhibition history title still life new york artist wolfgang tillmans german born remscheid 1968 date 2001 medium chromogenic print dimensions frame 147 3 214 cm 58 84 1 4 in classification photographs credit line purchase neuberger berman foundation gift 2002 accession number 2002 350

wolfgang tillmans on the limits of seeing in a high definition - Nov 27 2022

web jan 11 2022 edited by roxana marcoci and phil taylor the just released wolfgang tillmans a reader 2021 is the first publication to present the artist s contributions as a thinker and writer in a systematic manner illuminating the breadth of his engagement with audiences across diverse platforms

wolfgang tillmans to look without fear moma - May 02 2023

web sep 12 2022 wolfgang tillmans to look without fear sep 12 2022 jan 1 2023 moma exhibition moma floor 6 the steven and alexandra cohen center for special exhibitions the viewer should enter my work through their own eyes and their own lives the photographer wolfgang tillmans has said

wolfgang tillmans mis understanding photography werke - Sep 06 2023

web organised by the institut für auslandsbeziehungen ifa a german institute for international and cultural relations in stuttgart wolfgang tillmans fragile features more than 200 works spanning 1986 to 2017 and includes installations video works and publications in addition to photographs by the artist the exhibition will travel to

the disappearing world of wolfgang tillmans the new york times - Jan 30 2023

web sep 8 2022 the disappearing world of wolfgang tillmans his informal generous pictures were some of the most moving art of the 1990s now at moma time catches up with the german photographer a gallery

wolfgang tillmans artworks biography david zwirner - Sep 25 2022

web jan 30 2017 wolfgang tillmans to look without fear april 12 october 1 2023 influential german artist wolfgang tillmans

made his mark with photographs ranging from intimate observations of his daily life ordinary joyful melancholy erotic to incisive commentary on the shape of our world today

wolfgang tillmans galerie chantal crousel - May 22 2022

web apr 13 2023 tillmans was the recipient of the 2015 hasselblad foundation international award in photography and in january 2018 he was awarded the kaiserring prize from the city of goslar in germany he has more born in 1968 in remscheid germany lives and works in berlin germany

wolfgang tillmans artist royal academy of arts - Oct 27 2022

web dec 11 2013 profile royal academician painter born 1968 in remscheid germany nationality german elected ra 11 december 2013 gender male preferred media photography works by wolfgang tillmans in the ra collection 1 results wolfgang tillmans ra blacks 2011 inkjet print gallery of selected works wolfgang tillmans

wolfgang tillmans moma - Aug 05 2023

web wolfgang tillmans born 16 august 1968 is a german photographer his diverse body of work is distinguished by observation of his surroundings and an ongoing investigation of the photographic medium s foundations

wolfgang tillmans to look without fear art gallery of ontario - Jul 24 2022

web exhibition overview a major retrospective of artist wolfgang tillmans shown for the first time in canada opens in spring 2023 tillmans photography ranges from intimate observations to incisive commentary on the shape of our world today

wolfgang tillmans artnet - Jul 04 2023

web wolfgang tillmans is an influential contemporary german photographer whose work is in dialogue with artists such as andreas gursky and gerhard richter view wolfgang tillmans s 1 482 artworks on artnet find an in depth biography exhibitions original artworks for sale the latest news and sold auction prices

wolfgang tillmans older wiser cooler the new york times - Dec 29 2022

web aug 29 2022 fall preview wolfgang tillmans older wiser cooler in a 35 year career celebrated at moma this fall the artist has concerned himself with the poetry of looking blurring the line between

wolfgang tillmans fold me new york david zwirner - Feb 16 2022

web wolfgang tillmans office paper for food wrapping recycling addis ababa 2019 tillmans has long been interested in gilles deleuze s interpretation of gottfried wilhelm leibniz s monad which sees folds and foldings as not something other than the outside but precisely the inside of the outside

wolfgang tillmans wikipedia - Oct 07 2023

web wolfgang tillmans born 16 august 1968 is a german photographer his diverse body of work is distinguished by observation of his surroundings and an ongoing investigation of the photographic medium s foundations

[biografie von wolfgang tillmans wolfgang tillmans auf artnet](#) - Mar 20 2022

web kunsthändler events news wolfgang tillmans deutsch 16 august 1968 ist als dokumentarfotograf besonders für bilder der londoner gay community bekannt er studierte von 1990 bis 1992 am bournemouth poole

wolfgang tillmans german photographer contemporary artist - Apr 01 2023

web wolfgang tillmans german photographer whose images of the everyday span from street photography to portraiture to landscape and still life to abstraction in 2000 he became the first non british artist to win the turner prize and