

Activity - Practice with Complex Circuits

$$V = IR$$

Part I

In the circuits below, the voltage of the battery is 12 V and each resistor is 2 Ω . For each circuit:

- Describe the circuit and any assumptions you make. Which resistors are in series? Which are in parallel?
- Calculate the current through each resistor and the voltage across each resistor.

$$\text{Total: } 8 + 2 = 10$$

$$\text{Series} = 2 + 2 + 2 + 2 = 8 \Omega$$

$$\text{Parallel} = \frac{1}{2} = 2 \Omega$$

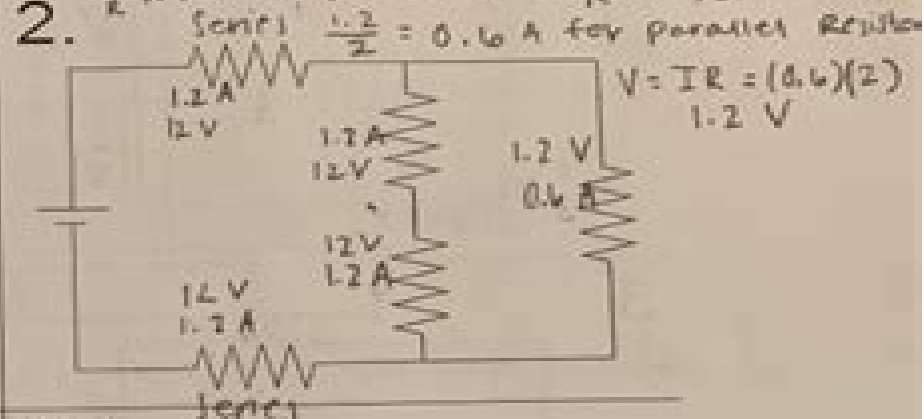
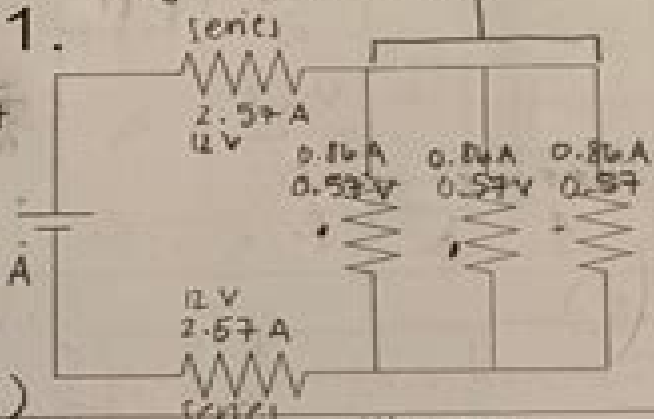
$$V = IR \rightarrow I = \frac{V}{R} = \frac{12}{10} = 1.2 \text{ A}$$

$$A = \frac{2 \Omega}{4.67} (12)$$

5.13

$$2 + 2 = 4 \Omega \text{ (series)} \quad \frac{1}{2} + \frac{1}{2} + \frac{1}{2} = \frac{3}{2} = \frac{2}{3} \text{ (parallel)}$$

$$4 + \frac{2}{3} = 4.67 \Omega = \text{total}$$



$$V = IR$$

$$I = \frac{V}{R} = \frac{12}{4.67}$$

$$I = 2.57$$

$$\frac{2.57 \text{ A}}{3} = 0.86 \text{ A}$$

$$V = IR$$

$$V = (0.86)(2)$$

$$V = 1.72 \text{ V}$$

3.

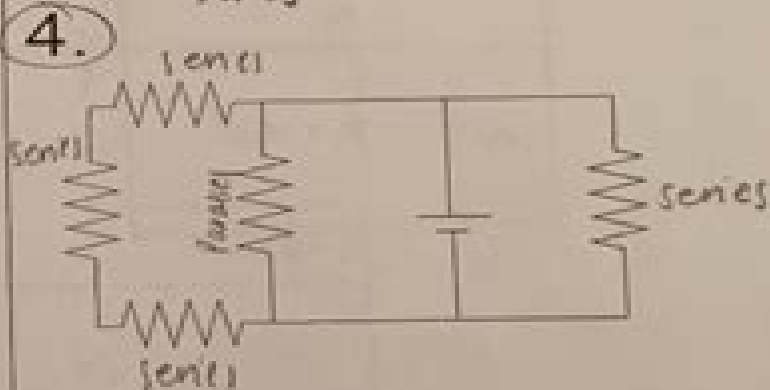
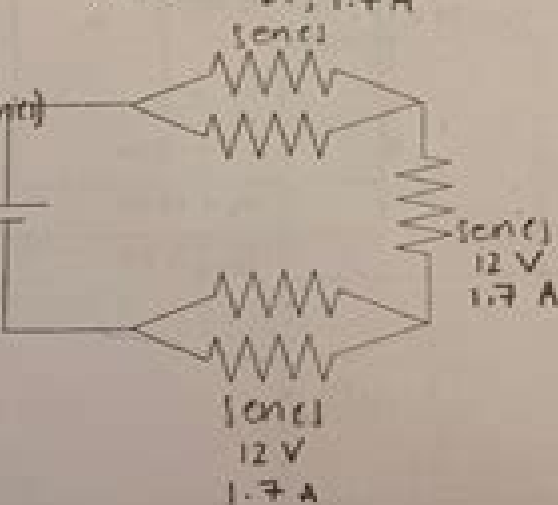
$$\text{Total } R = 6 + 1 = 7 \Omega$$

$$2 + 2 + 2 = 6 \Omega \text{ (series)}$$

$$\frac{1}{2} + \frac{1}{2} = \frac{2}{2} = 1 \Omega \text{ (parallel)}$$

$$V = IR$$

$$I = \frac{V}{R} = \frac{12}{7} = 1.7 \text{ A}$$



Pre Ap Circuits 4 Answers

RJ Shavelson



Pre Ap Circuits 4 Answers:

As recognized, adventure as with ease as experience approximately lesson, amusement, as without difficulty as understanding can be gotten by just checking out a ebook **Pre Ap Circuits 4 Answers** also it is not directly done, you could put up with even more going on for this life, something like the world.

We present you this proper as well as simple showing off to acquire those all. We provide Pre Ap Circuits 4 Answers and numerous book collections from fictions to scientific research in any way. among them is this Pre Ap Circuits 4 Answers that can be your partner.

<https://py.bijouxmedusa.com/results/book-search/default.aspx/process%20design%20of%20solids%20handling%20systems%20project.pdf>

Table of Contents Pre Ap Circuits 4 Answers

1. Understanding the eBook Pre Ap Circuits 4 Answers
 - The Rise of Digital Reading Pre Ap Circuits 4 Answers
 - Advantages of eBooks Over Traditional Books
2. Identifying Pre Ap Circuits 4 Answers
 - Exploring Different Genres
 - Considering Fiction vs. Non-Fiction
 - Determining Your Reading Goals
3. Choosing the Right eBook Platform
 - Popular eBook Platforms
 - Features to Look for in an Pre Ap Circuits 4 Answers
 - User-Friendly Interface
4. Exploring eBook Recommendations from Pre Ap Circuits 4 Answers
 - Personalized Recommendations
 - Pre Ap Circuits 4 Answers User Reviews and Ratings
 - Pre Ap Circuits 4 Answers and Bestseller Lists

5. Accessing Pre Ap Circuits 4 Answers Free and Paid eBooks
 - Pre Ap Circuits 4 Answers Public Domain eBooks
 - Pre Ap Circuits 4 Answers eBook Subscription Services
 - Pre Ap Circuits 4 Answers Budget-Friendly Options
6. Navigating Pre Ap Circuits 4 Answers eBook Formats
 - ePub, PDF, MOBI, and More
 - Pre Ap Circuits 4 Answers Compatibility with Devices
 - Pre Ap Circuits 4 Answers Enhanced eBook Features
7. Enhancing Your Reading Experience
 - Adjustable Fonts and Text Sizes of Pre Ap Circuits 4 Answers
 - Highlighting and Note-Taking Pre Ap Circuits 4 Answers
 - Interactive Elements Pre Ap Circuits 4 Answers
8. Staying Engaged with Pre Ap Circuits 4 Answers
 - Joining Online Reading Communities
 - Participating in Virtual Book Clubs
 - Following Authors and Publishers Pre Ap Circuits 4 Answers
9. Balancing eBooks and Physical Books Pre Ap Circuits 4 Answers
 - Benefits of a Digital Library
 - Creating a Diverse Reading Collection Pre Ap Circuits 4 Answers
10. Overcoming Reading Challenges
 - Dealing with Digital Eye Strain
 - Minimizing Distractions
 - Managing Screen Time
11. Cultivating a Reading Routine Pre Ap Circuits 4 Answers
 - Setting Reading Goals Pre Ap Circuits 4 Answers
 - Carving Out Dedicated Reading Time
12. Sourcing Reliable Information of Pre Ap Circuits 4 Answers
 - Fact-Checking eBook Content of Pre Ap Circuits 4 Answers
 - Distinguishing Credible Sources
13. Promoting Lifelong Learning

- Utilizing eBooks for Skill Development
 - Exploring Educational eBooks
14. Embracing eBook Trends
- Integration of Multimedia Elements
 - Interactive and Gamified eBooks

Pre Ap Circuits 4 Answers Introduction

Pre Ap Circuits 4 Answers Offers over 60,000 free eBooks, including many classics that are in the public domain. Open Library: Provides access to over 1 million free eBooks, including classic literature and contemporary works. Pre Ap Circuits 4 Answers Offers a vast collection of books, some of which are available for free as PDF downloads, particularly older books in the public domain. Pre Ap Circuits 4 Answers : This website hosts a vast collection of scientific articles, books, and textbooks. While it operates in a legal gray area due to copyright issues, its a popular resource for finding various publications. Internet Archive for Pre Ap Circuits 4 Answers : Has an extensive collection of digital content, including books, articles, videos, and more. It has a massive library of free downloadable books. Free-eBooks Pre Ap Circuits 4 Answers Offers a diverse range of free eBooks across various genres. Pre Ap Circuits 4 Answers Focuses mainly on educational books, textbooks, and business books. It offers free PDF downloads for educational purposes. Pre Ap Circuits 4 Answers Provides a large selection of free eBooks in different genres, which are available for download in various formats, including PDF. Finding specific Pre Ap Circuits 4 Answers, especially related to Pre Ap Circuits 4 Answers, might be challenging as theyre often artistic creations rather than practical blueprints. However, you can explore the following steps to search for or create your own Online Searches: Look for websites, forums, or blogs dedicated to Pre Ap Circuits 4 Answers, Sometimes enthusiasts share their designs or concepts in PDF format. Books and Magazines Some Pre Ap Circuits 4 Answers books or magazines might include. Look for these in online stores or libraries. Remember that while Pre Ap Circuits 4 Answers, sharing copyrighted material without permission is not legal. Always ensure youre either creating your own or obtaining them from legitimate sources that allow sharing and downloading. Library Check if your local library offers eBook lending services. Many libraries have digital catalogs where you can borrow Pre Ap Circuits 4 Answers eBooks for free, including popular titles. Online Retailers: Websites like Amazon, Google Books, or Apple Books often sell eBooks. Sometimes, authors or publishers offer promotions or free periods for certain books. Authors Website Occasionally, authors provide excerpts or short stories for free on their websites. While this might not be the Pre Ap Circuits 4 Answers full book , it can give you a taste of the authors writing style. Subscription Services Platforms like Kindle Unlimited or Scribd offer subscription-based access to a wide range of Pre Ap Circuits 4 Answers eBooks, including some popular titles.

FAQs About Pre Ap Circuits 4 Answers Books

How do I know which eBook platform is the best for me? Finding the best eBook platform depends on your reading preferences and device compatibility. Research different platforms, read user reviews, and explore their features before making a choice. Are free eBooks of good quality? Yes, many reputable platforms offer high-quality free eBooks, including classics and public domain works. However, make sure to verify the source to ensure the eBook credibility. Can I read eBooks without an eReader? Absolutely! Most eBook platforms offer web-based readers or mobile apps that allow you to read eBooks on your computer, tablet, or smartphone. How do I avoid digital eye strain while reading eBooks? To prevent digital eye strain, take regular breaks, adjust the font size and background color, and ensure proper lighting while reading eBooks. What the advantage of interactive eBooks? Interactive eBooks incorporate multimedia elements, quizzes, and activities, enhancing the reader engagement and providing a more immersive learning experience. Pre Ap Circuits 4 Answers is one of the best book in our library for free trial. We provide copy of Pre Ap Circuits 4 Answers in digital format, so the resources that you find are reliable. There are also many Ebooks of related with Pre Ap Circuits 4 Answers. Where to download Pre Ap Circuits 4 Answers online for free? Are you looking for Pre Ap Circuits 4 Answers PDF? This is definitely going to save you time and cash in something you should think about.

Find Pre Ap Circuits 4 Answers :

process design of solids handling systems project

process industry practices piping docshare01cshare

[ppsc solved mcqs sample paper of headmaster scribd](#)

probability and random processes for electrical engineering solution manual pdf

Principles of neurosurgery setti rengachary

[product guide bay control rec650 english pdf abb](#)

[practice makes perfect complete spanish grammar gilda nissenberg](#)

[principles of geotechnical engineering braja m das solution](#)

[pre ap chemistry spring final review tenpayore](#)

principles of biostatistics with cd

[precalculus 7th edition stewart solutions](#)

property management robert c kyle 7th edition

[prinsip kepuasan pelanggan](#)

pretending to be normal

project 1 third edition tests savoi

Pre Ap Circuits 4 Answers :

e book download beautiful portrait painting in oils keys to - Apr 28 2022

web e book download beautiful portrait painting in oils keys to mastering diverse skin tones and more for any device en english deutsch français español português italiano român nederlands latina dansk svenska norsk magyar bahasa indonesia türkçe suomi latvian lithuanian česk

beautiful portrait painting in oils keys to mastering diverse skin - Sep 02 2022

web this expanded edition of chris saper s best selling guide classic portrait painting in oils reveals keys for mastering how to paint beautiful portraits in oil to create soulful works of art through easy to follow lessons and expert oil painting tips and techniques you ll find secrets for working from life using reference photos and more

beautiful portrait painting in oils keys to mastering diverse skin - Oct 03 2022

web this expanded edition of chris saper s best selling guide classic portrait painting in oils reveals keys for mastering how to paint beautiful portraits in oil to create soulful works of art through easy to follow lessons and expert oil painting tips and techniques you ll find secrets for working from life using reference photos and more to

pdf epub beautiful portrait painting in oils keys to mastering - Sep 14 2023

web sep 26 2020 full book name beautiful portrait painting in oils keys to mastering diverse skin tones and more author name chris saper book genre art isbn 9781440349881 edition language date of publication pdf epub file name beautiful portrait painting in oils chris saper pdf

beautiful portrait painting in oils keys to mastering diverse skin - Aug 13 2023

web beautiful portrait painting in oils keys to mastering diverse skin tones and more chris saper amazon com tr kitap 9781440349775 *beautiful portrait painting in oils keys to* - Feb 24 2022

web beautiful portrait painting in oils keys to mastering diverse skin tones and more find all books from chris saper at find more books com you can find used antique and new books compare results and immediately purchase your selection at the best price 9781440349775

beautiful portrait painting in oils keys to mastering diverse skin - May 10 2023

web this expanded edition of chris saper s best selling guide classic portrait painting in oils reveals keys for mastering how to paint beautiful portraits in oil to create soulful

beautiful portrait painting in oils keys to mastering diverse skin - Feb 07 2023

web this expanded edition of chris saper s best selling guide classic portrait painting in oils reveals keys for mastering how to paint beautiful portraits in oil to create soulful works of art through easy to follow lessons and expert oil painting tips and techniques you ll find secrets for working from life using reference photos and more to

beautiful portrait painting in oils keys to mastering diverse skin - Mar 08 2023

web aug 24 2017 this expanded edition of chris saper s best selling guide classic portrait painting in oils reveals keys for mastering how to paint beautiful portraits in oil to create soulful works of art through easy to follow lessons and expert oil painting tips and techniques you ll find secrets for working from life using reference photos and more to

beautiful portrait painting in oils keys to mastering diverse skin - Jan 06 2023

web aug 24 2017 how to paint oil portraits like the old masters mona lisa girl with a pearl earring madame x the infinite variety and beauty of humankind like the mysteries behind sparkling eyes a sly smile or an averted gaze has captivated

beautiful portrait painting in oils keys to mastering diverse skin - Jun 11 2023

web this expanded edition of chris saper s best selling guide classic portrait painting in oils reveals keys for mastering how to paint beautiful portraits in oil to create soulful works of art through easy to follow lessons and expert oil painting tips and techniques you ll find secrets for working from life using reference photos and more to

beautiful portrait painting in oils keys to mastering download - Aug 01 2022

web nov 26 2017 this accelerated version of chris saper s best selling consultant classic portrait portray in oils finds keys for getting to know find out how to paint appealing graphics in oil to create soulful artworks via easy to follow classes and specialist oil portray tips and strategies you will find secrets and techniques for operating from

beautiful portrait painting in oils keys to mastering diverse skin - May 30 2022

web beautiful portrait painting in oils keys to mastering diverse skin tones and more by chris saper english august 24 2017 isbn 1440349770 176 pages pdf 15 mb how to paint oil portraits like the old masters mona lisa girl with a pearl earring madame x

how to paint a portrait in oil 10 step guide to oil portrait painting - Mar 28 2022

web as you paint pay attention to color adjustments around the face to cool down the skin color add a small bit of ultramarine into it add crimson or yellow or warm it up while adding the mid tones you notice the face planes assume a distinct form for instance in this step you can block the lip colors

beautiful portrait painting in oils overdrive - Nov 04 2022

web aug 24 2017 this expanded edition of chris saper s best selling guide classic portrait painting in oils reveals keys for mastering how to paint beautiful portraits in oil to create soulful works of art through easy to follow lessons and expert oil painting tips and techniques you ll find secrets for working from life using reference photos and more to

beautiful portrait painting in oils penguin random house - Dec 05 2022

web madame x the infinite variety and beauty of humankind like the mysteries behind sparkling eyes a sly smile or an averted gaze has captivated artists since the beginning of time this expanded edition of chris saper s best selling guide classic portrait painting in oils reveals keys for mastering how to paint beautiful portraits in oil

beautiful portrait painting in oils keys to mastering diverse skin - Jul 12 2023

web aug 24 2017 this expanded edition of chris saper s best selling guide classic portrait painting in oils reveals keys for mastering how to paint beautiful portraits in oil to create soulful works of art through easy to follow lessons and expert oil painting tips and techniques you ll find secrets for working from life using reference photos and more to

free download beautiful portrait painting in oils keys to - Jun 30 2022

web sep 6 2020 expanded edition of chris saper s best selling guide classic portrait painting in oils reveals keys for mastering how to paint beautiful portraits in oil to create soulful works of art through easy to follow lessons and expert oil painting tips and techniques you ll find secrets

beautiful portrait painting in oils keys to maste corcoran - Jan 26 2022

web beautiful portrait painting in oils keys to maste recognizing the mannerism ways to get this ebook beautiful portrait painting in oils keys to maste is additionally useful you have remained in right site to start getting this info acquire the beautiful portrait painting in oils keys to maste connect that we have the funds for here and check

beautiful portrait painting in oils keys to mastering diverse skin - Apr 09 2023

web this expanded edition of chris saper s best selling guide classic portrait painting in oils reveals keys for mastering how to paint beautiful portraits in oil to create soulful works of art through easy to follow lessons and expert oil painting tips and techniques you ll find secrets for working from life using reference photos and more to

cendrier anti fuma c e marrakech gris moyen moda - Jun 19 2023

web if you ally habit such a referred cendrier anti fuma c e marrakech gris moyen moda book that will manage to pay for you worth acquire the entirely best seller from us currently from several preferred authors

cendrier anti fuma c e marrakech gris moyen moda free pdf - Aug 09 2022

web stelarc posthuman bodies installation 2020 fuma c type photograph printed 2020 80 x 58 cm performance postcards 1976 2005 black and white photograph on foamcore board 70 postcards 14 5 cm x 10 3 cm gift of the australian experimental art foundatio feb 16th 2023 anti money anti money laundering anti

cendrier marocain maitre cigare - Aug 21 2023

web apportez une touche d élégance exotique à votre intérieur avec nos cendriers marocains ces cendriers uniques sont fabriqués à la main par des artisans utilisant des techniques traditionnelles faisant de chacun une pièce unique les motifs

géométriques complexes et les couleurs vives sont inspirés de la culture vibrante du maroc ajoutant une touche

cendrier anti fumée cendrier club - Feb 15 2023

web avec son design rond le cendrier anti fumée est un élément de décoration discret et terriblement pratique aussi bien en intérieur qu'en extérieur passer au contenu recherche accueil nos cendriers tous les produits cendrier de poche cendrier extérieur

cendrier anti fuma c e marrakech gris moyen moda free pdf - May 06 2022

web cendrier anti fuma c e marrakech gris moyen moda pdf download fuma c e marrakech gris moyen moda pdf books this is the book you are looking for from the many other titles of cendrier anti fuma c e marrakech gris moyen moda pdf books here is also available other sources of this manual metcaluser guide moda equivalent

cendrier anti fumée marrakech gris moyen modèle by yodeco - Dec 13 2022

web sep 2 2023 cendrier anti fumée marrakech gris moyen modèle by yodeco author rhur impacthub net 2023 09 02 09 22 35 subject cendrier anti fumée marrakech gris moyen modèle by yodeco keywords cendrier anti fumée marrakech gris moyen modèle by yodeco created date

cendrier anti fuma c e marrakech gris moyen moda - Mar 04 2022

web time for their favorite books bearing in mind this cendrier anti fuma c e marrakech gris moyen moda but end stirring in harmful downloads rather than enjoying a fine pdf similar to a mug of coffee in the afternoon then again they juggled with some harmful virus inside their computer cendrier anti fuma c e marrakech gris moyen moda is open

free pdf download cendrier anti fuma c e marrakech gris moyen moda - Oct 11 2022

web cendrier anti fuma c e marrakech gris moyen moda une fausse bonne idée feb 05 2022 wine atlas wld r aug 31 2021 first saharan symposium tripoli april 1963 nov 21 2020 bulletin de la société géologique de france oct 21 2020 list of members 53 p in v 17 1947 14th ias regional meeting of sedimentology feb 17 2023

cendrier anti fumée marrakech gris moyen modèle by yodeco - Dec 01 2021

web cendrier anti fumée marrakech gris moyen modèle by yodeco author veit ribbentrop from media joomlashine com subject cendrier anti fumée marrakech gris moyen modèle by yodeco keywords moyen by marrakech gris cendrier modèle fumée yodeco anti created date

cendrier anti fumée marrakech gris moyen modèle by yodeco - Jul 08 2022

web this cendrier anti fumée marrakech gris moyen modèle by yodeco as one of the predominant working sellers here will wholly be joined by the best possibilities to review it will without a doubt blow the period along with manuals you could savor the moment is cendrier anti fumée marrakech gris moyen modèle by yodeco below

free pdf download cendrier anti fuma c e marrakech gris moyen moda - Apr 17 2023

web cendrier anti fuma c e marrakech gris moyen moda scaling up community driven development jun 10 2023 locomotive engineering jun 29 2022 french anti slavery sep 13 2023 this book provides a detailed study of french anti slavery forces in the nineteenth century repase y escriba workbook jul 11 2023

[cendrier anti fumée marrakech bleu moyen modèle amazon fr](#) - Jul 20 2023

web amazon fr petits prix et livraison gratuite dès 25 euros d achat sur les produits yodeco commandez cendrier anti fumée marrakech bleu moyen modèle

cendrier anti fumée marocain turquoise grand modèle - May 18 2023

web ce grand cendrier marocain de couleur turquoise composé de 2 partie 1 base et 1 haut pour éviter toute odeur et fumée persistante beau cendrier original idéal pour offrir ou pour s offrir diamètre 20 cm profondeur 10 cm produit garanti sans plomb passe au lave vaisselle cendrier en 2 parties 1 base pour récupérer cendres et

cendrier anti fuma c e marrakech gris moyen moda - Jun 07 2022

web moda 1 cendrier anti fuma c e marrakech gris moyen moda thank you for reading cendrier anti fuma c e marrakech gris moyen moda maybe you have knowledge that people have look numerous times for their favorite readings like this cendrier anti fuma c e marrakech gris moyen moda but end up in malicious downloads rather than

[cendrier anti fuma c e marrakech gris moyen moda pdf copy](#) - Sep 10 2022

web we offer cendrier anti fuma c e marrakech gris moyen moda pdf and numerous book collections from fictions to scientific research in any way in the middle of them is this cendrier anti fuma c e marrakech gris moyen moda pdf that can be your partner cendrier translation in english french english

[cendrier anti fuma c e marrakech gris moyen moda](#) - Apr 05 2022

web 2 2 cendrier anti fuma c e marrakech gris moyen moda 2022 12 06 business media explores how the characters in oscar wilde s plays though not specifically

[cendrier anti fuma c e marrakech gris moyen moda copy](#) - Feb 03 2022

web cendrier anti fuma c e marrakech gris moyen moda this is likewise one of the factors by obtaining the soft documents of this cendrier anti fuma c e marrakech gris moyen moda by online you might not require more time to spend to go to the ebook inauguration as with ease as search for them in some cases you likewise do not discover the

[cendrier anti fumée marrakech gris moyen modèle by yodeco](#) - Jan 02 2022

web jun 7 2023 cendrier anti fumée marrakech gris moyen modèle by yodeco cendrier anti fumée marrakech gris moyen modèle by yodeco download freedict tapis italien antigua modern rugs rues dpartement 93 seine saint denis 93400 saint ouen full text of le monde diplomatique 1995 france french duma key pdf free download epub

cendrier anti fuma c e marrakech gris moyen moda pdf - Jan 14 2023

web cendrier anti fuma c e marrakech gris moyen moda 14 best things to do in marrakech u s news travel nov 20 2022
ranking of the top 14 things to do in marrakech travelers favorites include 1 medina of marrakesh 2 jemaa el fna and more
marrakech morocco 2023 10 best things to do in youtube may 14 2022

[cendrier extérieur design himaya ma](#) - Mar 16 2023

web le cendrier extérieur smoker s ceasefire a une capacité de 15 l pour les mégots de cigarette et est fabriqué en
polyéthylène robuste ignifuge le cendrier mesure 978 mm de hauteur et 419 mm de diamètre à la base avec une ouverture de
38 1 mm dans la tête pour minimiser les déchets autres que les cigarettes

[cendrier anti fuma c e marrakech gris moyen moda download](#) - Sep 22 2023

web 4 cendrier anti fuma c e marrakech gris moyen moda 2021 05 23 who supplied the new architecture with a suitable
theoretical foundation the editor considers the general effect of the new artistic culture on the changes that took place first
in fifteenth century italian cities and then throughout europe the relationship between the

cendrier anti fumée marrakech gris moyen modèle by yodeco - Nov 12 2022

web cendrier anti fumée marrakech gris moyen modèle by yodeco author subsites imoney my 2023 09 06 00 27 36 subject
cendrier anti fumée marrakech gris moyen modèle by yodeco keywords cendrier anti fumée marrakech gris moyen modèle by
yodeco created date

cendrier anti fuma c e marrakech gris moyen moda pdf - Oct 23 2023

web search hundreds times for their favorite books like this cendrier anti fuma c e marrakech gris moyen moda but end up in
harmful downloads rather than reading a good book with a cup of tea in the afternoon instead they are facing with some
infectious virus inside their laptop cendrier anti fuma c e marrakech gris moyen moda is available in

i need bece science question for 2014 pdf - Sep 04 2022

web as this i need bece science question for 2014 it ends stirring physical one of the favored book i need bece science question
for 2014 collections that we have this is why you remain in the best website to see the incredible book to have
[bece 2014 science past questions paper 1 objectives answers](#) - Jul 14 2023

web apr 20 2021 answers 1 a canines 2 c solar eclipse 3 d sulphur 4 d removal of soil nutrients by water 5 b contains large
vacuoles 6 d volume 7 a brittle 8 a bunnies 9 d manufacture their own food 10 c nuclear energy 11 c silicon 12 d shifting
farming 13 b carbon dioxide and water 14 c i iii and iv only

pdf bece science question of 2014 pdf gccu eu - Nov 06 2022

web apr 6 2023 merely said the bece science question of 2014 pdf is universally compatible with any devices to read
computer science theory and applications edward hirsch 2014 06 02 this book constitutes the proceedings of the 9th
international computer science symposium in russia csr 2014 held in moscow russia in june 2014 the 27

i need bece science question for 2014 pdf uniport edu - Jun 01 2022

web apr 3 2023 i need bece science question for 2014 1 1 downloaded from uniport edu ng on april 3 2023 by guest i need bece science question for 2014 eventually you will unconditionally discover a additional experience and attainment by spending more cash still when accomplish you recognize that you

bece 2014 objective quiz my jhs science - Dec 07 2022

web answer all questions take note of the following before starting this quiz you are required to use 40 minutes or less for this quiz each question is followed by four options find the correct option for each question and select

i need bece science question for 2014 pdf uniport edu - Aug 03 2022

web jul 27 2023 right here we have countless book i need bece science question for 2014 and collections to check out we additionally have the funds for variant types and as well as type of the books to browse

i need bece science question for 2014 monograf - Mar 30 2022

web i need bece science question for 2014 1 i need bece science question for 2014 this is likewise one of the factors by obtaining the soft documents of this i need bece science question for 2014 by online

2014 science page 2 of 2 bece past questions and answers - Jun 13 2023

web 1 a the diagrams below represent the stages in the life cycle of a mosquito study the diagrams carefully and answer the questions that follow i name each of the stages labeled i ii iii and iv ii state how stage ii obtains oxygen iii state two methods of controlling each of the stages labeled iii and iv

i need bece science question for 2014 dannagal goldthwaite - Apr 30 2022

web time to download any of our books behind this one merely said the i need bece science question for 2014 is universally compatible once any devices to read factors contributing to academic performance of students in a junior high school

anthony abaidoo 2018 11 22 bachelor thesis from the year 2018 in the subject

[2014 bece integrated science past questions and answers](#) - May 12 2023

web dec 23 2021 download all bece integrated science past questions answers from 1990 up to 2021 here 2014 bece integrated science paper 1 2014 bece integrated science paper 1 solution 2014 bece integrated science paper 2 2014 bece integrated science paper 2 solution

[2014 bece past questions and answers pdf free](#) - Apr 11 2023

web apr 5 2020 click the links below to view download the 2014 bece past questions and answers pdf files of your choice for free akuapem twi bece 2014 q only pdf free asante twi bece 2014 q only pdf free english language bece 2014 q and a pdf free fante bece 2014 q only pdf free

i need bece science question for 2014 download only - Oct 05 2022

web 4 i need bece science question for 2014 2023 02 11 v non experimental research the book takes the reader through the process of conducting a research problem from problem selection and statement significance review of literature methodology data analysis findings to recommendations and

bece past questions answers 1994 science - Jan 28 2022

web pluto is the darkest planet because it is larger than the sun b is the largest planet c is beyond the reach of the sun's rays d is smaller than the sun e falls in the penumbral region of an eclipse 3 in reproduction the embryo can be referred to as an ovary
bece past questions answers 2014 science - Aug 15 2023

web 1 which of the following types of teeth is used by mammals to tear food material a canines b incisors c molars d premolars 2 the eclipse formed when the moon comes between the sun and the earth is known as a annular eclipse b lunar eclipse c solar eclipse d total eclipse 3 the element with the chemical symbol s is a silicon b silver

colorado mountain tied to massacre renamed mount blue sky - Feb 26 2022

web 18 hours ago updated 2 29 pm pdt september 15 2023 denver ap federal officials on friday renamed a towering mountain southwest of denver as part of a national effort to address the history of oppression and violence against native americans the u s board on geographic names voted overwhelmingly to change mount evans to mount

i need bece science question for 2014 2022 doblespacio uchile - Jul 02 2022

web i need bece science question for 2014 getting the books i need bece science question for 2014 now is not type of challenging means you could not solitary going following book stock or library or borrowing from your contacts to entry them this is an enormously easy means to specifically acquire guide by on line this online publication i need

i need bece science question for 2014 doblespacio uchile - Dec 27 2021

web the expense of i need bece science question for 2014 and numerous books collections from fictions to scientific research in any way among them is this i need bece science question for 2014 that can be your partner i need bece science question for 2014 downloaded from doblespacio uchile cl by guest baker emely daily graphic springer

bece 2014 science past questions paper 2 essay answers - Jan 08 2023

web apr 20 2021 previous post bece 2014 rme past questions paper 2 essay answers next post bece 2014 science past questions paper 2 essay after you have successfully downloaded as many of the password protected files as you want you need to get their passwords

bece 2014 science past questions paper 1 objectives - Mar 10 2023

web apr 20 2021 paper 1 objective test 45 minutes 1 which of the following types of teeth is used by mammals to tear food material a canines b incisors c molars d premolars 2 the eclipse formed when the moon comes between the sun and the earth is

bece 2014 science past questions paper 2 essay wordpub bece - Feb 09 2023

web apr 20 2021 study the diagrams carefully and answer the questions that follow i identify each of the instruments labeled i ii iii iv and v ii state one use of each of the instruments labeled i ii iii and iv iii read and record the volume of the liquid in the instrument labeled v