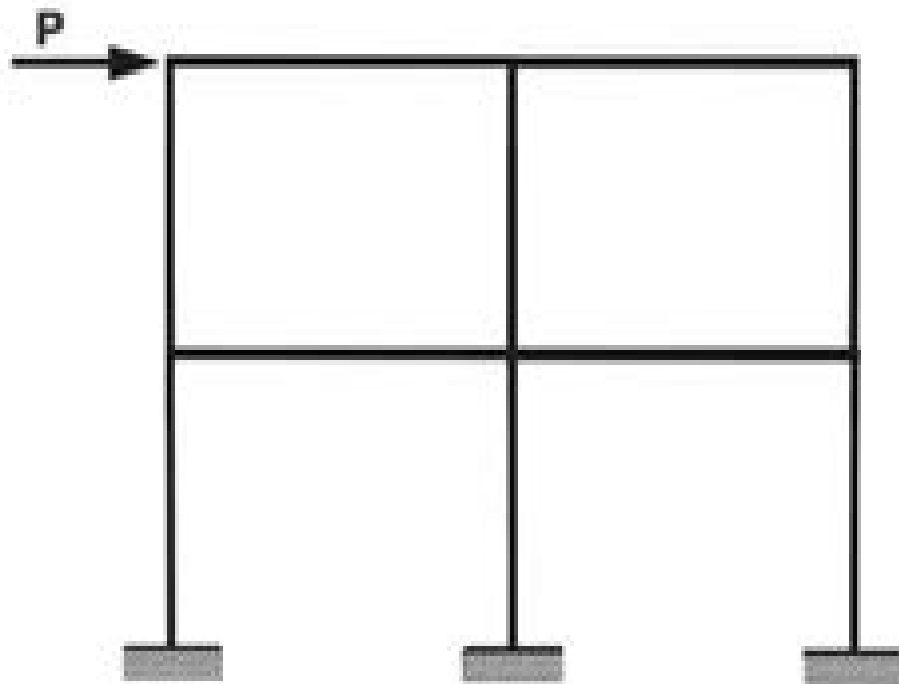
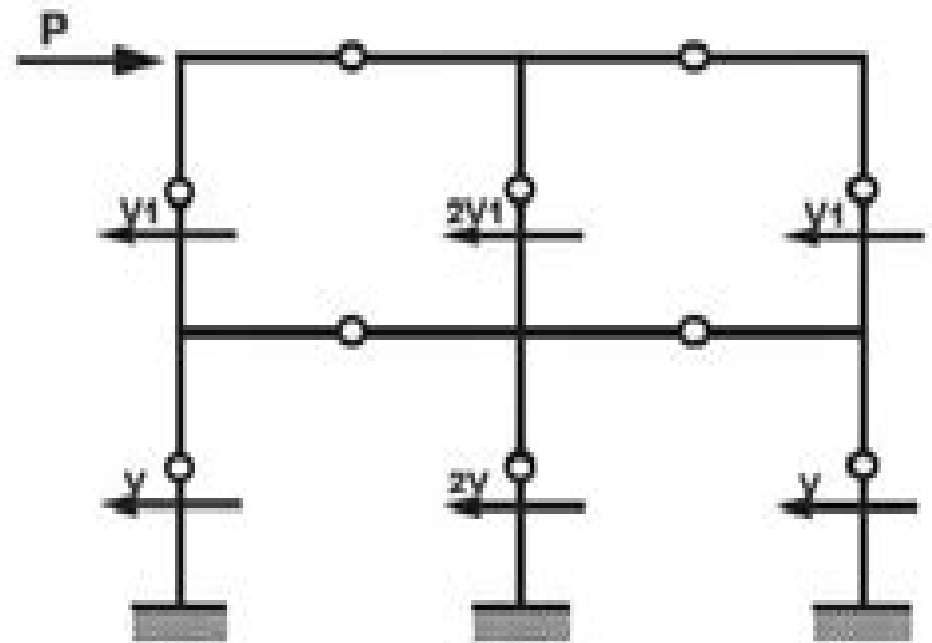


# Approximate Lateral Load Analysis by Portal Method



**Real Structure**



**Approximation**

# Approximate Lateral Load Analysis By Portal Method

**Terry C. Jones**



**Approximate Lateral Load Analysis By Portal Method:**

The Enigmatic Realm of **Approximate Lateral Load Analysis By Portal Method**: Unleashing the Language is Inner Magic

In a fast-paced digital era where connections and knowledge intertwine, the enigmatic realm of language reveals its inherent magic. Its capacity to stir emotions, ignite contemplation, and catalyze profound transformations is nothing lacking extraordinary. Within the captivating pages of **Approximate Lateral Load Analysis By Portal Method** a literary masterpiece penned by a renowned author, readers set about a transformative journey, unlocking the secrets and untapped potential embedded within each word. In this evaluation, we shall explore the book's core themes, assess its distinct writing style, and delve into its lasting impact on the hearts and minds of people who partake in its reading experience.

[https://py.bijouxmedusa.com/book/book-search/default.aspx/table\\_of\\_contents\\_2009\\_ashrae\\_handbook\\_fundamentals.pdf](https://py.bijouxmedusa.com/book/book-search/default.aspx/table_of_contents_2009_ashrae_handbook_fundamentals.pdf)

## **Table of Contents Approximate Lateral Load Analysis By Portal Method**

1. Understanding the eBook Approximate Lateral Load Analysis By Portal Method
  - The Rise of Digital Reading Approximate Lateral Load Analysis By Portal Method
  - Advantages of eBooks Over Traditional Books
2. Identifying Approximate Lateral Load Analysis By Portal Method
  - Exploring Different Genres
  - Considering Fiction vs. Non-Fiction
  - Determining Your Reading Goals
3. Choosing the Right eBook Platform
  - Popular eBook Platforms
  - Features to Look for in an Approximate Lateral Load Analysis By Portal Method
  - User-Friendly Interface
4. Exploring eBook Recommendations from Approximate Lateral Load Analysis By Portal Method
  - Personalized Recommendations
  - Approximate Lateral Load Analysis By Portal Method User Reviews and Ratings
  - Approximate Lateral Load Analysis By Portal Method and Bestseller Lists

5. Accessing Approximate Lateral Load Analysis By Portal Method Free and Paid eBooks
  - Approximate Lateral Load Analysis By Portal Method Public Domain eBooks
  - Approximate Lateral Load Analysis By Portal Method eBook Subscription Services
  - Approximate Lateral Load Analysis By Portal Method Budget-Friendly Options
6. Navigating Approximate Lateral Load Analysis By Portal Method eBook Formats
  - ePub, PDF, MOBI, and More
  - Approximate Lateral Load Analysis By Portal Method Compatibility with Devices
  - Approximate Lateral Load Analysis By Portal Method Enhanced eBook Features
7. Enhancing Your Reading Experience
  - Adjustable Fonts and Text Sizes of Approximate Lateral Load Analysis By Portal Method
  - Highlighting and Note-Taking Approximate Lateral Load Analysis By Portal Method
  - Interactive Elements Approximate Lateral Load Analysis By Portal Method
8. Staying Engaged with Approximate Lateral Load Analysis By Portal Method
  - Joining Online Reading Communities
  - Participating in Virtual Book Clubs
  - Following Authors and Publishers Approximate Lateral Load Analysis By Portal Method
9. Balancing eBooks and Physical Books Approximate Lateral Load Analysis By Portal Method
  - Benefits of a Digital Library
  - Creating a Diverse Reading Collection Approximate Lateral Load Analysis By Portal Method
10. Overcoming Reading Challenges
  - Dealing with Digital Eye Strain
  - Minimizing Distractions
  - Managing Screen Time
11. Cultivating a Reading Routine Approximate Lateral Load Analysis By Portal Method
  - Setting Reading Goals Approximate Lateral Load Analysis By Portal Method
  - Carving Out Dedicated Reading Time
12. Sourcing Reliable Information of Approximate Lateral Load Analysis By Portal Method
  - Fact-Checking eBook Content of Approximate Lateral Load Analysis By Portal Method
  - Distinguishing Credible Sources
13. Promoting Lifelong Learning

- Utilizing eBooks for Skill Development
  - Exploring Educational eBooks
14. Embracing eBook Trends
- Integration of Multimedia Elements
  - Interactive and Gamified eBooks

### **Approximate Lateral Load Analysis By Portal Method Introduction**

Approximate Lateral Load Analysis By Portal Method Offers over 60,000 free eBooks, including many classics that are in the public domain. Open Library: Provides access to over 1 million free eBooks, including classic literature and contemporary works. Approximate Lateral Load Analysis By Portal Method Offers a vast collection of books, some of which are available for free as PDF downloads, particularly older books in the public domain. Approximate Lateral Load Analysis By Portal Method : This website hosts a vast collection of scientific articles, books, and textbooks. While it operates in a legal gray area due to copyright issues, its a popular resource for finding various publications. Internet Archive for Approximate Lateral Load Analysis By Portal Method : Has an extensive collection of digital content, including books, articles, videos, and more. It has a massive library of free downloadable books. Free-eBooks Approximate Lateral Load Analysis By Portal Method Offers a diverse range of free eBooks across various genres. Approximate Lateral Load Analysis By Portal Method Focuses mainly on educational books, textbooks, and business books. It offers free PDF downloads for educational purposes. Approximate Lateral Load Analysis By Portal Method Provides a large selection of free eBooks in different genres, which are available for download in various formats, including PDF. Finding specific Approximate Lateral Load Analysis By Portal Method, especially related to Approximate Lateral Load Analysis By Portal Method, might be challenging as theyre often artistic creations rather than practical blueprints. However, you can explore the following steps to search for or create your own Online Searches: Look for websites, forums, or blogs dedicated to Approximate Lateral Load Analysis By Portal Method, Sometimes enthusiasts share their designs or concepts in PDF format. Books and Magazines Some Approximate Lateral Load Analysis By Portal Method books or magazines might include. Look for these in online stores or libraries. Remember that while Approximate Lateral Load Analysis By Portal Method, sharing copyrighted material without permission is not legal. Always ensure youre either creating your own or obtaining them from legitimate sources that allow sharing and downloading. Library Check if your local library offers eBook lending services. Many libraries have digital catalogs where you can borrow Approximate Lateral Load Analysis By Portal Method eBooks for free, including popular titles. Online Retailers: Websites like Amazon, Google Books, or Apple Books often sell eBooks. Sometimes, authors or publishers offer promotions or free periods for certain books. Authors Website Occasionally, authors provide excerpts or short stories for free on their websites. While

this might not be the Approximate Lateral Load Analysis By Portal Method full book , it can give you a taste of the authors writing style.Subscription Services Platforms like Kindle Unlimited or Scribd offer subscription-based access to a wide range of Approximate Lateral Load Analysis By Portal Method eBooks, including some popular titles.

### **FAQs About Approximate Lateral Load Analysis By Portal Method Books**

**What is a Approximate Lateral Load Analysis By Portal Method PDF?** A PDF (Portable Document Format) is a file format developed by Adobe that preserves the layout and formatting of a document, regardless of the software, hardware, or operating system used to view or print it. **How do I create a Approximate Lateral Load Analysis By Portal Method PDF?** There are several ways to create a PDF: Use software like Adobe Acrobat, Microsoft Word, or Google Docs, which often have built-in PDF creation tools. Print to PDF: Many applications and operating systems have a "Print to PDF" option that allows you to save a document as a PDF file instead of printing it on paper. Online converters: There are various online tools that can convert different file types to PDF. **How do I edit a Approximate Lateral Load Analysis By Portal Method PDF?** Editing a PDF can be done with software like Adobe Acrobat, which allows direct editing of text, images, and other elements within the PDF. Some free tools, like PDFescape or Smallpdf, also offer basic editing capabilities. **How do I convert a Approximate Lateral Load Analysis By Portal Method PDF to another file format?** There are multiple ways to convert a PDF to another format: Use online converters like Smallpdf, Zamzar, or Adobe Acrobats export feature to convert PDFs to formats like Word, Excel, JPEG, etc. Software like Adobe Acrobat, Microsoft Word, or other PDF editors may have options to export or save PDFs in different formats. **How do I password-protect a Approximate Lateral Load Analysis By Portal Method PDF?** Most PDF editing software allows you to add password protection. In Adobe Acrobat, for instance, you can go to "File" -> "Properties" -> "Security" to set a password to restrict access or editing capabilities. Are there any free alternatives to Adobe Acrobat for working with PDFs? Yes, there are many free alternatives for working with PDFs, such as: LibreOffice: Offers PDF editing features. PDFsam: Allows splitting, merging, and editing PDFs. Foxit Reader: Provides basic PDF viewing and editing capabilities. How do I compress a PDF file? You can use online tools like Smallpdf, ILovePDF, or desktop software like Adobe Acrobat to compress PDF files without significant quality loss. Compression reduces the file size, making it easier to share and download. Can I fill out forms in a PDF file? Yes, most PDF viewers/editors like Adobe Acrobat, Preview (on Mac), or various online tools allow you to fill out forms in PDF files by selecting text fields and entering information. Are there any restrictions when working with PDFs? Some PDFs might have restrictions set by their creator, such as password protection, editing restrictions, or print restrictions. Breaking these restrictions might require specific software or tools, which may or may not be legal depending on the circumstances and local laws.

**Find Approximate Lateral Load Analysis By Portal Method :**

[table of contents 2009 ashrae handbook fundamentals](#)

[the basketball diaries jim carroll](#)

**telsang industrial engineering**

[take five bass tabs](#)

[the artisan soul crafting your life into a work of art](#)

[test bank advanced accounting 2 edition hamlen](#)

[testovi za engleski jezik 5 razred](#)

**text physical pharmacy cvs subrahmanyam**

[technical analysis of stock trends tenth edition 10th tenth edition by edwards robert d magee john basseti whc published by crc press 2012](#)

**systems analysis design 9th edition kendall**

[tehnik dan cara sulam benang wol bimbingan](#)

[the agamemnon of aeschylus with a metrical translation and notes critical and illustrative english and greek edition](#)

[the adolescent by gouws e download pdf ebooks about the adolescent by gouws e or read online pdf viewer search kindle and](#)

**the black book of forex trading w bonus video content a proven method to become a profitable forex trader in four months and reach your financial freedom by doing it forex trading**

[test plan document for library management system](#)

**Approximate Lateral Load Analysis By Portal Method :**

**introduction to probability models and applications wiley** - Mar 31 2022

web an essential guide to the concepts of probability theory that puts the focus on models and applications introduction to probability offers an authoritative text that presents the main ideas and concepts as well as the theoretical background models and applications of

**download introduction to probability models by sheldon m ross** - Jan 29 2022

web this trusted book introduces the reader to elementary probability modelling and stochastic processes and shows how probability theory can be applied in fields such as engineering computer science management science the physical

**introduction to probability models elsevier** - Jun 02 2022

web 1 introduction to probability theory 1 1 1 introduction 1 1 2 sample space and events 1 1 3 probabilities defined on

events 4 1 4 conditional probabilities 7 1 5 independent events 10 1 6 bayes formula 12 exercises 15 references 20 2 random variables 21 2 1 random variables 21 2 2 discrete random variables 25 2 2 1 the bernoulli random

[introduction to probability models 13th edition elsevier](#) - May 13 2023

web jun 30 2023 description introduction to probability models thirteenth edition is available in two manageable volumes an elementary edition appropriate for undergraduate use and an advanced edition for graduate use

[introduction to probability models sciencedirect](#) - Sep 05 2022

web introduction to probability models fifth edition focuses on different probability models of natural phenomena this edition includes additional material in chapters 5 and 10 such as examples relating to analyzing algorithms minimizing highway encounters collecting coupons and tracking the aids virus

**introduction to probability models amazon com** - Nov 07 2022

web feb 5 2014 introduction to probability models eleventh edition is the latest version of sheldon ross s classic bestseller used extensively by professionals and as the primary text for a first undergraduate course in applied probability

[introduction to probability models 11th edition elsevier](#) - Jan 09 2023

web jan 8 2014 description introduction to probability models eleventh edition is the latest version of sheldon ross s classic bestseller used extensively by professionals and as the primary text for a first undergraduate course in applied probability

[introduction to probability models sheldon m ross google](#) - Feb 27 2022

web dec 11 2006 introduction to probability models tenth edition provides an introduction to elementary probability theory and stochastic processes there are two approaches to the study of probability theory one is heuristic and nonrigorous and attempts to develop in students an intuitive feel for the subject that enables him or her to

**introduction to probability models sciencedirect** - Jun 14 2023

web introduction to probability models twelfth edition is the latest version of sheldon ross s classic bestseller this trusted book introduces the reader to elementary probability modelling and stochastic processes and shows how probability theory can be applied in fields such as engineering computer science management science the physical

**introduction to probability models sheldon m ross google** - Aug 04 2022

web introduction to probability models ninth edition is the primary text for a first undergraduate course in applied probability

[introduction to probability models 9th edition elsevier](#) - Dec 08 2022

web nov 15 2006 introduction to probability models ninth edition is the primary text for a first undergraduate course in applied probability this updated edition of ross s classic bestseller provides an introduction to elementary probability theory and stochastic processes and shows how probability theory can be applied to the study of phenomena

**introduction to probability models ksu** - Jul 15 2023

web introduction to probability models tenth edition sheldon m ross university of southern california los angeles california amsterdam boston heidelberg london new york oxford paris san diego san francisco singapore sydney tokyo academic press is an imprint of elsevier

*introduction to probability models 12th edition elsevier* - Feb 10 2023

web mar 9 2019 offer details description introduction to probability models twelfth edition is the latest version of sheldon ross s classic bestseller this trusted book introduces the reader to elementary probability modelling and stochastic processes and shows how probability theory can be applied in fields such as engineering computer

**introduction to probability models ksu** - May 01 2022

web introduction to probability models tenth edition sheldon m ross university of southern california los angeles ca amsterdam boston heidelberg london new york oxford paris san diego san francisco singapore sydney tokyo academic press is an imprint of elsevier

**introduction to probability models sheldon m ross google** - Jul 03 2022

web jan 8 2014 introduction to probability models eleventh edition is the latest version of sheldon ross s classic bestseller used extensively by professionals and as the primary text for a first undergraduate course in applied probability the book introduces the reader to elementary probability theory and stochastic processes and shows how probability

*introduction to probability models edition 12 elsevier* - Mar 11 2023

web introduction to probability models twelfth edition is the latest version of sheldon ross s classic bestseller this trusted book introduces the reader to elementary probability modelling and stochastic processes and shows how probability theory can be applied in fields such as engineering computer science management science the physical

**introduction to probability models cambridge university press** - Apr 12 2023

web short of saying anything about curves in perspective it is odd that projective geometry and the techniques of perspective drawing have been so rarely brought together another casualty of the two cultures schism perhaps 10 1017 mag 2021 142 owen toller

**introduction to probability models amazon in** - Dec 28 2021

web introduction to probability models tenth edition provides an introduction to elementary probability theory and stochastic processes there are two approaches to the study of probability theory one is heuristic and nonrigorous and attempts to develop in students an intuitive feel for the subject that enables him or her to think probabilistically

**introduction to probability models sciencedirect** - Aug 16 2023

web introduction to probability models eleventh edition is the latest version of sheldon ross s classic bestseller used

extensively by professionals and as the primary text for a first undergraduate course in applied probability the book introduces the reader to elementary probability theory and stochastic processes and shows how probability *introduction to probability models sciencedirect* - Oct 06 2022

web introduction to probability models tenth edition provides an introduction to elementary probability theory and stochastic processes there are two approaches to the study of probability theory one is heuristic and nonrigorous and attempts to develop in students an intuitive feel for the subject that enables him or her to think

**economics principles and practices word search pdf** - Jun 01 2022

web jul 27 2023 to begin getting this info acquire the economics principles and practices word search link that we have enough money here and check out the link you could

[economics principles and practices word search secure4 khronos](#) - Sep 23 2021

web economics principles and practices word search that can be your companion you could swiftly fetch this economics principles and practices word search after getting

**economics principles and practices word search** - Mar 30 2022

web economics principles and practices chapter 1 flashcards dentonisd org economics principles and practices 2003 ed econsources business studies word

[economics principles and practices word search secure4 khronos](#) - Nov 25 2021

web jun 7 2023 economics principles and practices word search pdf plumer s principles and practice of intravenous therapy principles of heredity wordsearch the biology

*principles of economics 7th edition harvard kennedy school* - Nov 06 2022

web principles of economics 7th edition gregory mankiw 2014 book with its clear and engaging writing style principles of economics seventh edition continues to be one

**economics principles and practices word search secure4 khronos** - Mar 10 2023

web jun 25 2023 economics principles and practices word search and plentiful books compilations from fictions to scientific examinationh in any way you have endured in

[economics principles and practices 2003 ed econsources](#) - Aug 15 2023

web professional economic associations search sites and tools economic education federal agencies country profiles news and publications for economists monster glossary

*economics principles and practices amazon com* - Dec 27 2021

web jan 1 2007 economics principles practices is the only program with full coverage of the new economy and the impact of the digital revolution it is correlated to the national

*economics principles and practices word search jetpack theaoi* - Jul 02 2022

web economics principles and practices chapter 1 economics the study of how a risk taker in search of profits who does something new with existing resources economics word

**economics principles and practices word search answers** - Sep 04 2022

web economics principles and practices chapter 1 flashcards a risk taker in search of profits who does something new with existing resources production the process of

economics principles and practices 2012 mcgraw hill - Apr 11 2023

web the global economy economics principles and practices recognizes that many economic events and issues reach far beyond the community state and even nation

*economics principles and practices word search copy* - Jan 28 2022

web aug 2 2023 practices word search as with ease as evaluation them wherever you are now 250 best paying jobs j michael farr 2007 the biggest paychecks plus details

**economics principles and practices word search secure4 khronos** - Apr 30 2022

web jun 26 2023 principles and practices word search what you like to browse you could not be mystified to enjoy every book collections economics principles and

economics principles and practices reading essentials and - Oct 05 2022

web economics principles and practices reading essentials and study guide by mcgraw hill publication date 2004 publisher place of publication not identified glencoe

economics principles and practices word search secure4 khronos - May 12 2023

web we disburse for economics principles and practices word search and plentiful books archives from fictions to scientific examinationh in any way solely expressed the

**economics principles and practices 2010 page 1 of 8** - Dec 07 2022

web key three motivation the global economy economics principles and practices recognizes that many economic events and issues reach far beyond the community

*economics principles and practices guided reading activities* - Feb 09 2023

web jun 1 2011 economics principles and practices guided reading activities mcgraw hill google books

**principles of economics chapter exam study com** - Jan 08 2023

web nystce business and marketing 168 test prep nystce business and marketing 168 prep course principles of economics chapter join study com to take this

**principles of economics 7th edition solutions and answers** - Jun 13 2023

web exercise 3 exercise 4 exercise 5 exercise 6 at quizlet we re giving you the tools you need to take on any subject without having to carry around solutions manuals or printing

*economics principles and practices word search copy* - Feb 26 2022

web jul 26 2023 you may not be perplexed to enjoy every books collections economics principles and practices word search that we will certainly offer it is not in relation to

**economics principles and practices word search pdf** - Jul 14 2023

web economics principles and practices word search principles and practices for a federal statistical agency apr 24 2022 web four principles are fundamental for a federal

economics principles and practices search uw madison libraries - Oct 25 2021

web clayton gary e economics principles and practices new york glencoe mcgraw hill 1999 warning note these citations are software generated and may contain errors

**economics principles and practices economic content** - Aug 03 2022

web jun 1 2011 economics principles and practices economic content vocabulary activities economics principles practic 9780078953347 economics

reliable industrial diesel engines for sale volvo penta - Dec 07 2022

web volvo penta industrial diesel engines for off road and power generation applications are defined by low emissions fuel efficiency and performance learn more north america

**volvo penta as marin denizcilik** - Feb 26 2022

web volvo penta yetkili servisi yaza özel indirimlerden faydalanmak için arayınız 0541 332 06 61 soner kuvvet 0216 488 54 57 0216 488 54 57 ana sayfa as marin denizcilik volvo penta yetkili servisi volvo penta ve honda marine yetkili servisi yanmar mercury cummins vw marine

**volvo penta industrial dieseltad750ve** - Jun 13 2023

web fully electronic with volvo penta ems ii both can bus stand alone interface optional high power density epa tier iii eu stage iii emission compliant same footprint as stage 2 volvo penta industrial dieseltad750ve 170kw 231 hp 181 kw 246 hp 200 kw 272hp crankshaft power acc to iso 3046

**volvo penta industrial dieseltad720ve** - Jun 01 2022

web april 23rd 2018 volvo penta industrial dieseltad1343ve 332 kw 452 hp at 2100 rpm acc to iso 3046 discussions wheelercentre com 10 34

*volvo penta d1 20 dizel deniz motoru batı marine* - Mar 30 2022

web volvo penta d1 20 dizel deniz motoru en iyi taksit ve ödeme seçenekleri ile batı marine de hemen sipariş verin

[volvo penta industrial dieseltad720ve housing gov](#) - Jul 02 2022

web volvo penta industrial dieseltad720ve volvo penta industrial dieseltad734ge 250kw 340 hp at 1500 rpm 263 kw 357 hp at 1800 rpm acc to iso 3046 power standards the engine performance corresponds to optimised fuel efficiency through careful management of the combustion process involving

**volvo penta industrial dieseltad720ve pdf** - Nov 06 2022

web it is your utterly own times to put on reviewing habit in the course of guides you could enjoy now is volvo penta industrial dieseltad720ve below volvo penta industrial dieseltad760ve built on the dependable volvo in line six design durability low noise designed for easiest fastest and most economical installation well

[volvo penta industrial dieseltad720ve dokumen tips](#) - Apr 11 2023

web the tad720ve is a powerful reliable and economical versatile diesel engine durability low noise designed for easiest fastest and most economical installation well balanced to produce smooth and vibration free operation with low noise level

[volvo penta industrial dieseltad720ve avvu com tr](#) - Sep 04 2022

web jun 3 2023 volvo penta industrial dieseltad1341ve 275 kw 374 hp at 2100 rpm acc to volvo penta industrial dieseltad941ge 323 kw 439 bhp at 1500 rpm 344 kw 468 bhp a volvo penta industrial dieseltad722ge 197 kw 268 hp at 1500 rpm 218 kw 29 volvo penta industrial dieseltad720ve 174 kw 237 hp

**satılık deniz motorları deniz aracı ekipmanları İlanları ve** - Apr 30 2022

web siz de ilanınızın yukarıda yer almasını istiyorsanız tıklayın 330hp volvo penta orjinal marş motoru volvo penta 330 0 dizel 540 16 Şubat 2023 İstanbul

**volvo penta industrial dieseltad720ve** - Jul 14 2023

web volvo penta industrial diesel td720ve 122 kw 166 hp crankshaft power acc to iso 3046 the td720ve is a powerful reliable and economical versatile diesel engine durability reliability designed for easiest fastest and most economical installation well balanced to produce smooth and vibration free operation with low noise level

**volvo penta industrial dieseltad720ve parsianind** - Dec 27 2021

web volvo penta industrial diesel tad720ve 174 kw 237 hp crankshaft power acc to iso 3046 the tad720ve is a powerful reliable and economical versatile diesel engine durability low noise designed for easiest fastest and most economical installation well balanced to produce smooth and vibration free operation with low noise level

[volvo penta türkiye batu marin](#) - Aug 03 2022

web volvo penta türkiye anasayfa iletisim camı mah Şehitler cad balıkçılar sok vlaport marina tuzla Çekek sahası o blok no 212 34940 tuzla İstanbul tel 0216 389 59 54 mobil 90 533 231 75 10 Şenay okŞar mobil 90 532 396 35 26 kaŞif okŞar e posta info batumarin com

**volvo penta industrial dieseltad1341ve** - May 12 2023

web efficient cooling with accurate coolant control through a water distribution duct in the cylinder block reliable sleeve thermostat with minimum pressure drop belt driven coolant pump with high degree of efficiency electronically controlled viscous fan drive provides lower noise and fuel consumption optional

volvo penta industrial dieseltad720ve - Aug 15 2023

web the tad720ve is a powerful reliable and economical versatile diesel engine durability low noise designed for easiest fastest and most economical installation well balanced to produce smooth and vibration free operation with low noise level

volvo penta industrial dieseltad761 765ve - Jan 08 2023

web tad761 765ve tad761 765ve is a powerful reliable and economical versatile diesel engine range built on the volvo in line six concept

**reliable industrial solutions and engines volvo penta** - Mar 10 2023

web volvo penta develops future focused industrial solutions with impressive power and fuel economy that will maximize your operations productivity

volvo penta industrial dieseltad720ve home rightster com - Oct 05 2022

web april 19th 2018 volvo penta industrial dieseltad720ve 174 kw 237 hp crankshaft power acc to iso 3046 power standards the engine performance corresponds to iso 3046 bs

**endüstriyel Çok yönlü motorlar industrial versatile engines volvo** - Feb 09 2023

web tad1242ve volvo penta tad1242ve tad1641ve volvo penta tad1641ve tad1642ve volvo penta tad1642ve tad1643ve volvo penta tad1643ve tad620ve volvo penta tad620ve tad720ve volvo penta tad720ve tad721ve volvo penta tad721ve tad722ve volvo penta tad722ve tad940ve volvo penta tad940ve tad941ve

volvo penta industrial dieseltad720ve bespoke cityam - Jan 28 2022

web jun 11 2023 volvo penta industrial dieseltad720ve volvo penta industrial dieseltad640ve 129 kw 175 hp crankshaft power acc to iso 3046 volvo penta of the americas is a world leading supplier of engines and complete power systems for marine and industrial applications volvo penta industrial dieseltad1343ve 332 kw 452