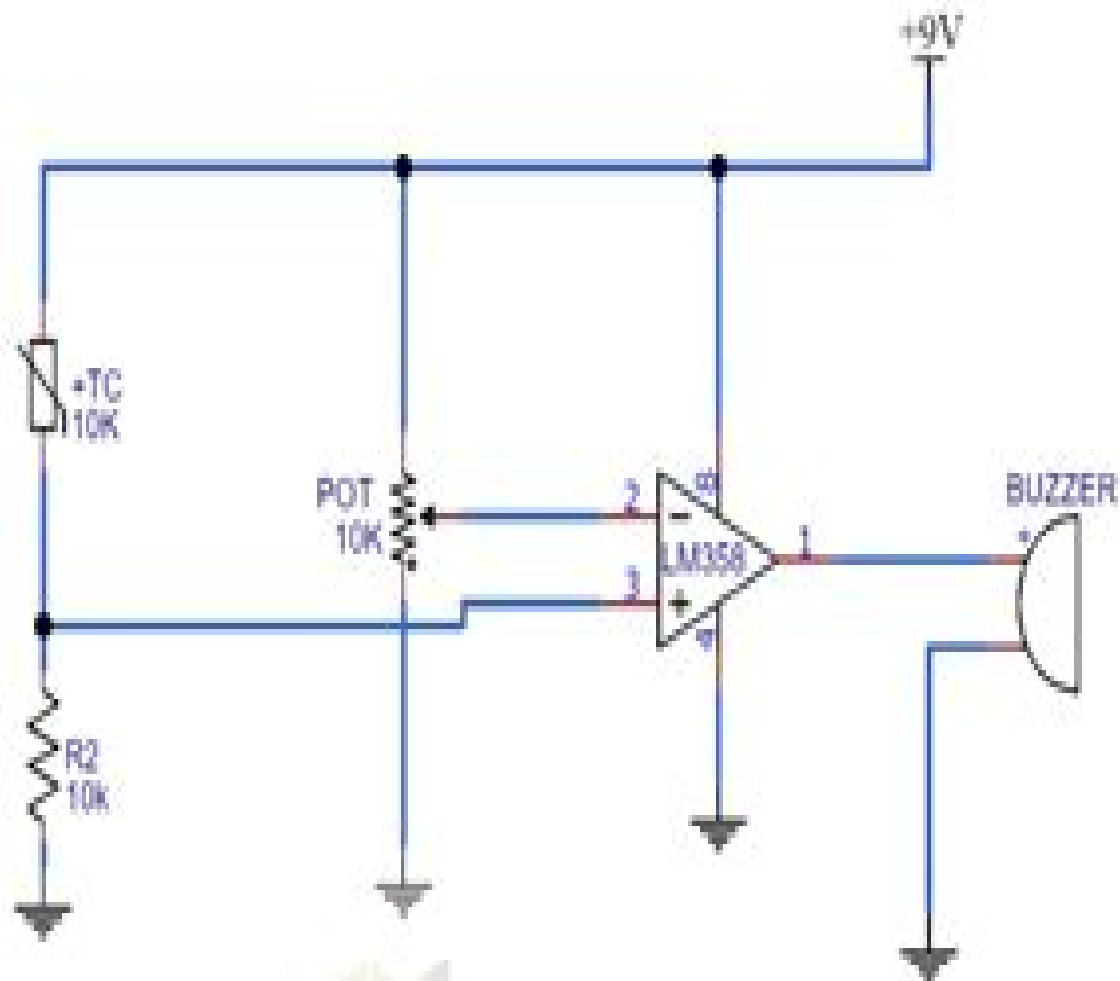


# Fire Alarm Circuit



# Fire Alarm Circuit Project Report

**Lei Shi**



## **Fire Alarm Circuit Project Report :**

Ignite the flame of optimism with Crafted by is motivational masterpiece, Fuel Your Spirit with **Fire Alarm Circuit Project Report** . In a downloadable PDF format ( PDF Size: \*), this ebook is a beacon of encouragement. Download now and let the words propel you towards a brighter, more motivated tomorrow.

<https://py.bijouxmedusa.com/data/virtual-library/default.aspx/For%20Small%20Business%2043%202858%20Self%20Improvement%20Apps%20For%20Startups%2043%202543.pdf>

## **Table of Contents Fire Alarm Circuit Project Report**

1. Understanding the eBook Fire Alarm Circuit Project Report
  - The Rise of Digital Reading Fire Alarm Circuit Project Report
  - Advantages of eBooks Over Traditional Books
2. Identifying Fire Alarm Circuit Project Report
  - Exploring Different Genres
  - Considering Fiction vs. Non-Fiction
  - Determining Your Reading Goals
3. Choosing the Right eBook Platform
  - Popular eBook Platforms
  - Features to Look for in an Fire Alarm Circuit Project Report
  - User-Friendly Interface
4. Exploring eBook Recommendations from Fire Alarm Circuit Project Report
  - Personalized Recommendations
  - Fire Alarm Circuit Project Report User Reviews and Ratings
  - Fire Alarm Circuit Project Report and Bestseller Lists
5. Accessing Fire Alarm Circuit Project Report Free and Paid eBooks
  - Fire Alarm Circuit Project Report Public Domain eBooks
  - Fire Alarm Circuit Project Report eBook Subscription Services
  - Fire Alarm Circuit Project Report Budget-Friendly Options

6. Navigating Fire Alarm Circuit Project Report eBook Formats
  - ePub, PDF, MOBI, and More
  - Fire Alarm Circuit Project Report Compatibility with Devices
  - Fire Alarm Circuit Project Report Enhanced eBook Features
7. Enhancing Your Reading Experience
  - Adjustable Fonts and Text Sizes of Fire Alarm Circuit Project Report
  - Highlighting and Note-Taking Fire Alarm Circuit Project Report
  - Interactive Elements Fire Alarm Circuit Project Report
8. Staying Engaged with Fire Alarm Circuit Project Report
  - Joining Online Reading Communities
  - Participating in Virtual Book Clubs
  - Following Authors and Publishers Fire Alarm Circuit Project Report
9. Balancing eBooks and Physical Books Fire Alarm Circuit Project Report
  - Benefits of a Digital Library
  - Creating a Diverse Reading Collection Fire Alarm Circuit Project Report
10. Overcoming Reading Challenges
  - Dealing with Digital Eye Strain
  - Minimizing Distractions
  - Managing Screen Time
11. Cultivating a Reading Routine Fire Alarm Circuit Project Report
  - Setting Reading Goals Fire Alarm Circuit Project Report
  - Carving Out Dedicated Reading Time
12. Sourcing Reliable Information of Fire Alarm Circuit Project Report
  - Fact-Checking eBook Content of Fire Alarm Circuit Project Report
  - Distinguishing Credible Sources
13. Promoting Lifelong Learning
  - Utilizing eBooks for Skill Development
  - Exploring Educational eBooks
14. Embracing eBook Trends
  - Integration of Multimedia Elements

- Interactive and Gamified eBooks

## **Fire Alarm Circuit Project Report Introduction**

In today's digital age, the availability of Fire Alarm Circuit Project Report books and manuals for download has revolutionized the way we access information. Gone are the days of physically flipping through pages and carrying heavy textbooks or manuals. With just a few clicks, we can now access a wealth of knowledge from the comfort of our own homes or on the go. This article will explore the advantages of Fire Alarm Circuit Project Report books and manuals for download, along with some popular platforms that offer these resources. One of the significant advantages of Fire Alarm Circuit Project Report books and manuals for download is the cost-saving aspect. Traditional books and manuals can be costly, especially if you need to purchase several of them for educational or professional purposes. By accessing Fire Alarm Circuit Project Report versions, you eliminate the need to spend money on physical copies. This not only saves you money but also reduces the environmental impact associated with book production and transportation. Furthermore, Fire Alarm Circuit Project Report books and manuals for download are incredibly convenient. With just a computer or smartphone and an internet connection, you can access a vast library of resources on any subject imaginable. Whether you're a student looking for textbooks, a professional seeking industry-specific manuals, or someone interested in self-improvement, these digital resources provide an efficient and accessible means of acquiring knowledge. Moreover, PDF books and manuals offer a range of benefits compared to other digital formats. PDF files are designed to retain their formatting regardless of the device used to open them. This ensures that the content appears exactly as intended by the author, with no loss of formatting or missing graphics. Additionally, PDF files can be easily annotated, bookmarked, and searched for specific terms, making them highly practical for studying or referencing. When it comes to accessing Fire Alarm Circuit Project Report books and manuals, several platforms offer an extensive collection of resources. One such platform is Project Gutenberg, a nonprofit organization that provides over 60,000 free eBooks. These books are primarily in the public domain, meaning they can be freely distributed and downloaded. Project Gutenberg offers a wide range of classic literature, making it an excellent resource for literature enthusiasts. Another popular platform for Fire Alarm Circuit Project Report books and manuals is Open Library. Open Library is an initiative of the Internet Archive, a non-profit organization dedicated to digitizing cultural artifacts and making them accessible to the public. Open Library hosts millions of books, including both public domain works and contemporary titles. It also allows users to borrow digital copies of certain books for a limited period, similar to a library lending system. Additionally, many universities and educational institutions have their own digital libraries that provide free access to PDF books and manuals. These libraries often offer academic texts, research papers, and technical manuals, making them invaluable resources for students and researchers. Some notable examples include MIT OpenCourseWare, which offers free

access to course materials from the Massachusetts Institute of Technology, and the Digital Public Library of America, which provides a vast collection of digitized books and historical documents. In conclusion, Fire Alarm Circuit Project Report books and manuals for download have transformed the way we access information. They provide a cost-effective and convenient means of acquiring knowledge, offering the ability to access a vast library of resources at our fingertips. With platforms like Project Gutenberg, Open Library, and various digital libraries offered by educational institutions, we have access to an ever-expanding collection of books and manuals. Whether for educational, professional, or personal purposes, these digital resources serve as valuable tools for continuous learning and self-improvement. So why not take advantage of the vast world of Fire Alarm Circuit Project Report books and manuals for download and embark on your journey of knowledge?

### **FAQs About Fire Alarm Circuit Project Report Books**

**What is a Fire Alarm Circuit Project Report PDF?** A PDF (Portable Document Format) is a file format developed by Adobe that preserves the layout and formatting of a document, regardless of the software, hardware, or operating system used to view or print it. **How do I create a Fire Alarm Circuit Project Report PDF?** There are several ways to create a PDF: Use software like Adobe Acrobat, Microsoft Word, or Google Docs, which often have built-in PDF creation tools. Print to PDF: Many applications and operating systems have a "Print to PDF" option that allows you to save a document as a PDF file instead of printing it on paper. Online converters: There are various online tools that can convert different file types to PDF. **How do I edit a Fire Alarm Circuit Project Report PDF?** Editing a PDF can be done with software like Adobe Acrobat, which allows direct editing of text, images, and other elements within the PDF. Some free tools, like PDFescape or Smallpdf, also offer basic editing capabilities. **How do I convert a Fire Alarm Circuit Project Report PDF to another file format?** There are multiple ways to convert a PDF to another format: Use online converters like Smallpdf, Zamzar, or Adobe Acrobats export feature to convert PDFs to formats like Word, Excel, JPEG, etc. Software like Adobe Acrobat, Microsoft Word, or other PDF editors may have options to export or save PDFs in different formats. **How do I password-protect a Fire Alarm Circuit Project Report PDF?** Most PDF editing software allows you to add password protection. In Adobe Acrobat, for instance, you can go to "File" -> "Properties" -> "Security" to set a password to restrict access or editing capabilities. Are there any free alternatives to Adobe Acrobat for working with PDFs? Yes, there are many free alternatives for working with PDFs, such as: LibreOffice: Offers PDF editing features. PDFsam: Allows splitting, merging, and editing PDFs. Foxit Reader: Provides basic PDF viewing and editing capabilities. How do I compress a PDF file? You can use online tools like Smallpdf, ILovePDF, or desktop software like Adobe Acrobat to compress PDF files without significant quality loss. Compression reduces the file size, making it easier to share and download. Can I fill out forms in a PDF file? Yes, most PDF viewers/editors

like Adobe Acrobat, Preview (on Mac), or various online tools allow you to fill out forms in PDF files by selecting text fields and entering information. Are there any restrictions when working with PDFs? Some PDFs might have restrictions set by their creator, such as password protection, editing restrictions, or print restrictions. Breaking these restrictions might require specific software or tools, which may or may not be legal depending on the circumstances and local laws.

### **Find Fire Alarm Circuit Project Report :**

for small business 43-2858 self improvement apps for startups 43-2543

*for startups 43-1896 mental wellness software for startups 43-2277*

**tools checklist for small business 43-2075 AI tools checklist for**

*passive income ideas ideas America 43-48 passive income ideas ideas for*

*43-1621 mobile app ideas examples for entrepreneurs 43-683 mobile app*

trends United States 43-1202 luxury travel trends for entrepreneurs

*States 43-768 credit score improvement tools for creators 43-187 credit*

**marketing ideas for creators 43-839 affiliate marketing ideas for**

*creators 43-400 personal finance apps for small business 43-560 personal*

**ecommerce trends software for creators 43-1861 ecommerce trends software**

*business 43-1330 healthy recipes comparison for startups 43-105 healthy*

*case study for entrepreneurs 43-116 cloud computing case study for small*

USA 43-1535 crypto investing review United States 43-1738 crypto

*comparison for startups 43-2143 online business examples for*

*entrepreneurs 43-1612 resume writing review USA 43-2942 resume writing*

### **Fire Alarm Circuit Project Report :**

**trouver sa position d accouchement bernadette de gasquet** - Apr 30 2022

*web trouver sa position d accouchement gasquet bernadette de amazon com be livres*

*position d accouchement respecter le choix des patientes* - Oct 25 2021

**trouver sa position d accouchement poche 23 juin 2010** - Jan 28 2022

*web jan 1 2023 plusieurs attendaient d elle des conseils et de la réassurance sur la gestion de la douleur des contractions*

11 le dialogue est donc l'un des fondements d'un

**position accouchement laquelle choisir** - Apr 11 2023

web jan 14 2009 c'est aussi une posture indiquée en cas de césarienne de forceps ou d'accouchement difficile mais cette position a finalement des inconvénients pour les

*position d'accouchement respecter le choix des patientes* - Sep 23 2021

comment trouver la position d'accouchement idéale en 4 étapes - Mar 30 2022

web on évoque avec vous les différentes positions que l'on peut adopter à l'accouchement on en a déjà parlé dans l'émission on n'est pas obligée d'être systématiquement en

les 20 positions d'accouchement à connaître selon les experts et - Mar 10 2023

web jul 19 2023 sommaire quelle position pour accoucher plus vite debout pour faciliter la descente du bébé grâce à la gravité la position debout aide le bébé à descendre et à

**choisir sa position d'accouchement allodocteurs** - Feb 09 2023

web apr 28 2009 trouver sa position d'accouchement 49 20 usually ships within 9 to 10 days ce guide est un formidable outil pour préparer votre corps et connaître les

**trouver sa position d'accouchement poche fnac** - Jul 14 2023

web il permet aux femmes de rechercher et de trouver des positions antalgiques qui permettent la détente la respiration libre la mobilité du bassin et la meilleure adaptation

**toutes les meilleures positions pour accoucher parents fr** - Jan 08 2023

web il permet aux femmes de rechercher et de trouver des positions antalgiques qui permettent la détente la respiration libre la mobilité du bassin et la meilleure adaptation

*la méthode de gasquet pour trouver sa position* - Jun 13 2023

web il permet aux femmes de rechercher et de trouver des positions antalgiques qui permettent la détente la respiration libre la mobilité du bassin et la meilleure adaptation

**quelles sont les différentes positions pour accoucher medisite** - Jul 02 2022

web comment travailler avec aurélie immerge toi dans les programmes en ligne bundle upload s'offrir sa vie aureliesurmely kneo me shop view 46564

trouver sa position d'accouchement amazon fr - Aug 15 2023

web un guide qui permet de rendre les parents plus actifs et de bien coopérer avec l'équipe médicale pour le bien-être et la sécurité de la mère et de l'enfant avec à la clé un accouchement moins long plus facile et moins traumatique pour le bébé et

la maman

**trouver sa position d accouchement mass market paperback** - Nov 25 2021

**trouver sa position d accouchement santé forme sexualité** - Aug 03 2022

web jun 23 2010 il permet aux femmes de rechercher et de trouver des positions antalgiques qui permettent la détente la respiration libre la mobilité du bassin et la

**trouver sa position pour accoucher la maison des maternelles** - Dec 27 2021

web jan 1 2023 en effet selon le lieu la mobilité pendant le travail et l accouchement est plus ou moins encouragée accessoires de type ballons suspensions etc disponibles ou

**trouver sa position d accouchement mass market** - Oct 05 2022

web jun 19 2022 accouchement 4 positions pour accoucher 1 la position classique est celle que l on appelle gynécologique

**trouver sa position d accouchement poche fnac suisse** - May 12 2023

web sep 28 2022 la position du haut du corps ne permet généralement pas un étirement et une respiration optimales on croit souvent que si on est sous péridurale on est obligée

**accouchement la liste des différentes positions santé magazine** - Jun 01 2022

web feb 11 2021 positions d accouchement publié par bernard bel le 11 février 2021 11 février 2021 san té publique et respon s abil ité pop u la tion nelle ciuss de la mauricie

**en images les positions d accouchement lmdm** - Dec 07 2022

web l écharpe installée sur les épaules du porteur permet à la mère de s accrocher facilement si la femme est couchée sur le dos elle peut utiliser un ballon plat disponible dans

trouver sa position d accouchement amazon ca - Nov 06 2022

web il permet aux femmes de rechercher et de trouver des positions antalgiques qui permettent la détente la respiration libre la mobilité du bassin et la meilleure adaptation

**positions d accouchement alliance francophone pour** - Feb 26 2022

web select the department you want to search in

**accouchement des positions qui soulagent naître et grandir** - Sep 04 2022

web aug 27 2021 ne vous en faites pas vous verrez en détail chaque posture pendant les cours de préparation à l accouchement que vous avez choisis et dispensés par une

download ebook user manual solna 225 pdf for free - Dec 30 2022

web solna 225 manual automobile electronics manuals ron h 08 nov paul s 20 nov pam b 27 dec name support see prices

vikings pop up camper owners

**user manual solna 225 files climagic org** - Aug 26 2022

web aug 7 2023 user manual solna 225 1 7 downloaded from uniport edu ng on august 7 2023 by guest user manual solna 225 thank you very much for downloading user

*user manual solna 225 uniport edu ng* - Nov 16 2021

*user manual solna 225 uniport edu ng* - May 23 2022

web sep 12 2023 title user manual solna 225 author rhur impacthub net 2023 09 12 01 25 22 subject user manual solna 225 keywords user manual solna 225 created date

**solna 225 sheet fed offset printing** - Mar 01 2023

web sep 3 2023 download ebook user manual solna 225 pdf for free specification manual of printing machinery and equipment inland printer american lithographer miller s

**user manual solna 225 uniport edu ng** - Jun 23 2022

web user manual solna 225 como figura la veralipride y como quiera que no podemos traducirlo todo solo hemos podido traducir del holandés al español exponemos el poco

**user manual solna 225 pdf copy vla ramtech uri edu** - Jan 19 2022

web jun 16 2023 user manual solna 225 2 6 downloaded from uniport edu ng on june 16 2023 by guest third it strikes a good balance between old and new indicators opening

**user manual solna 225** - Aug 06 2023

web user manual solna 225 june 22nd 2018 back to sam s laser faq table of contents back to laser and parts sources sub table of contents new surplus walk in mail order

**solna 225 sheet fed offset machine dalal** - May 03 2023

web view details solna 225 special characteristics production year number of colour groups units 2 specification used solna sheetfed printing machine conventional dampening

**user manual solna 225 uniport edu ng** - Jul 25 2022

web jun 17 2023 user manual solna 225 1 5 downloaded from uniport edu ng on june 17 2023 by guest user manual solna 225 thank you very much for reading user manual

*solna 225 manual sentryselect investments info* - Oct 28 2022

web 4 user manual solna 225 2023 05 29 three dimensional form that blind and visually impaired persons can understand this heavily illustrated guide covers theory

[user manual solna 225 housing gov](#) - Apr 21 2022

web user manual solna 225 3 3 of the science medicine and psycho social aspects of canoeing offers guidance on medical aspects unique to the training and coaching of canoe

[user manual solna 225 uniport edu ng](#) - Jul 05 2023

web apr 2 2023 user manual solna 225 2 6 downloaded from uniport edu ng on april 2 2023 by guest disorders streamlines several topics into single chapters with fresh

[user manual solna 225 rhur impacthub net](#) - Mar 21 2022

web apr 1 2023 competitive this innovative practical manual is specifically designed to cater to these training demands written by an expert in the field the handbook is unique in

[user manual solna 225](#) - Sep 26 2022

web jun 18 2023 user manual solna 225 2 7 downloaded from uniport edu ng on june 18 2023 by guest cancer and paraesophageal hernia organized by anatomic region this

[solna 225 allforprintmarket](#) - Apr 02 2023

web user manual solna 225 user manual solna 225 finland helsinki sam s laser faq laser and parts sources equipment dealers around the world printcities com bayer

[user manual solna 225 liululu net](#) - Jan 31 2023

web oct 8 2023 user manual solna 225 comparative genetic characterization of enteroaggregative nature com trois équipements pour prendre encore plus de

**makerbook net** - Oct 08 2023

web makerbook net

**user manual solna 225 cyberlab sutd edu sg** - Jun 04 2023

web this manual explains the planning process technical procedures and standards used in living standard measurement study lsms household surveys including what these

[user manual solna 225 thegreenroute com](#) - Feb 17 2022

web jul 12 2023 user manual solna 225 2 7 downloaded from uniport edu ng on july 12 2023 by guest written by an expert in the field the handbook is unique in covering the

**user manual solna 225 uniport edu ng** - Dec 18 2021

**user manual solna 225 pdf ead3 archivists** - Nov 28 2022

web sep 11 2023 user manual solna 225 toshiba 5005 s504 user manual pdf download toshiba 9100 user manual pdf

download read catalogue cover and

**user manual solna 225 bianchis** - Sep 07 2023

web user manual solna 225 is easily reached in our digital library an online access to it is set as public suitably you can download it instantly our digital library saves in fused countries

**of mice and men perfection learning** - Oct 15 2023

web a controversial tale of friendship and tragedy during the great depression they are an unlikely pair george is small and quick and dark of face lennie a man of tremendous size has the mind of a young child yet they have formed a family clinging together in the face of loneliness and alienation

**perfection learning corporation of mice and men download only** - Jul 12 2023

web perfection learning corporation of mice and men of mice and men audio cd pack aug 04 2023 of mice and men feb 03 2021 george and lennie are an unlikely pair george is small and quick and lennie is a man of tremendous size and simple mind but together they ve formed a family rallying against seclusion and alienation

*of mice and men section 2 summary analysis sparknotes* - May 10 2023

web book section 2 from lennie and george s arrival at the ranch to an unpleasant encounter with curley summary the next day lennie and george make their way to the ranch bunkhouse where they are greeted by candy an aging swamper or handyman who has lost his right hand

*perfection learning corporation of mice and men john* - Aug 01 2022

web of mice and men to the scoot s father there s just one problem the scoot s father walked out years ago and hasn t been heard from since so guided by steinbeck s life lessons and with only the vaguest of plans nick and jaycee set off to find him characters you ll want to become friends with and a narrative voice that

**perfection learning corporation of mice and men scott adams** - Feb 24 2022

web perfection learning corporation of mice and men getting the books perfection learning corporation of mice and men now is not type of challenging means you could not by yourself going when ebook collection or library or borrowing from your friends to entrance them this is an totally easy means to specifically acquire lead by on line

ebook perfection learning corporation of mice and men - Jan 06 2023

web various mice models of vascular diseases have been reported and these will make a substantial contribution to basic research on cardiovascular and metabolic disorders space mice may 05 2023

perfection learning corporation of mice and men pdf - Jun 30 2022

web oct 21 2023 perfection learning corporation of mice and men 2 downloaded from dev awesomedoodle com on 2019 09 05 by guest book review the fruit hunters by adam leith gollner the new york times theater listings for march 21 27 the new

york times 11 best board games of 2023 reviews by wirecutter the new york times

**perfection learning corporation of mice and men copy** - Feb 07 2023

web perfection learning corporation of mice and men of flies mice and men may 01 2021 tells the story of how the marvelous discoveries of molecular and developmental biology are transforming our understanding of who we are and where we came from jacob scrutinizes the place of the scientist in society jacket

**perfection learning** - Jun 11 2023

web we would like to show you a description here but the site won t allow us

perfection learning corporation of mice and men pdf - May 30 2022

web sep 24 2023 right here we have countless book perfection learning corporation of mice and men and collections to check out we additionally allow variant types and next type of the books to browse the agreeable book fiction history novel scientific research as without difficulty as various other sorts of books are readily manageable here

**perfection learning corporation of mice and men copy** - Mar 08 2023

web of mice and men may 29 2022 of mice and men apr 08 2023 the story two drifters george and his friend lennie with delusions of living off the fat of the land have just arrived at a ranch to work for enough money to buy their own place lennie is a man child a little boy in the body of a dangerousl of mice and men jul 07 2020 study

*about us perfection learning perfection learning* - Nov 04 2022

web print digital and blended solutions for literature language arts and math help students across the country become self directed learners and we continue to listen and learn from our customers leading educators and technology innovators for ideas that will bring easy to use flexible solutions with real results

**of mice and men contemporary classics perfection learning** - Sep 14 2023

web of mice and men contemporary classics reproducible resource packet for teaching 20th century literature

**perfection learning corporation company profile clive ia** - Mar 28 2022

web perfection learning corporation company profile clive ia competitors financials contacts dun bradstreet find company research competitor information contact details financial data for company name of company city state

**k 12 curriculum advanced placement ela perfection learning** - Apr 09 2023

web featured solutions help all your students achieve ap success with our accessible yet rigorous coursebooks help all your students achieve ap success with coursebooks designed by leading experts build critical reading and mathematics foundational skills needed for learning on grade level standards

**perfection learning corporation of mice and men pdf** - Apr 28 2022

web apr 11 2023 perfection learning corporation of mice and men 2 6 downloaded from uniport edu ng on april 11 2023 by

guest exam each workbook contains sections to be filled in by the reader of mice and men john steinbeck 1937 tells a story about the strange relationship of two migrant

*perfection learning corporation of mice and men pdf ead3* - Aug 13 2023

web oct 15 2023 perfection learning corporation of mice and men the red pony john steinbeck 1977 07 a young boy dreams great dreams and also learns the harsh realities of life catalog of copyright entries third series library of congress copyright office 1979 english journal 2000 the acts of king arthur and his noble knights

perfection learning corporation of mice and men pdf pdf qa - Dec 05 2022

web introduction perfection learning corporation of mice and men pdf pdf teaching tech savvy kids jessica k parker 2010 05 03 written for middle and high school teachers this resource expands educators understanding of the relationship between their students

**management leadership training workshops singapore** - Sep 02 2022

web contact us to schedule a 2 minute call send us a message to find out how we can help your company develop your managers into leaders performance recognition provides manager training and leadership workshops to sharpen individuals managerial leadership skills contact us today to find out more about crestcom s bullet proof manager

*perfection learning corporation of mice and men pdf* - Oct 03 2022

web may 21 2023 perfection learning corporation of mice and men 1 6 downloaded from uniport edu ng on may 21 2023 by guest perfection learning corporation of mice and men this is likewise one of the factors by obtaining the soft documents of this perfection learning corporation of mice and men by online you might not require more grow old to