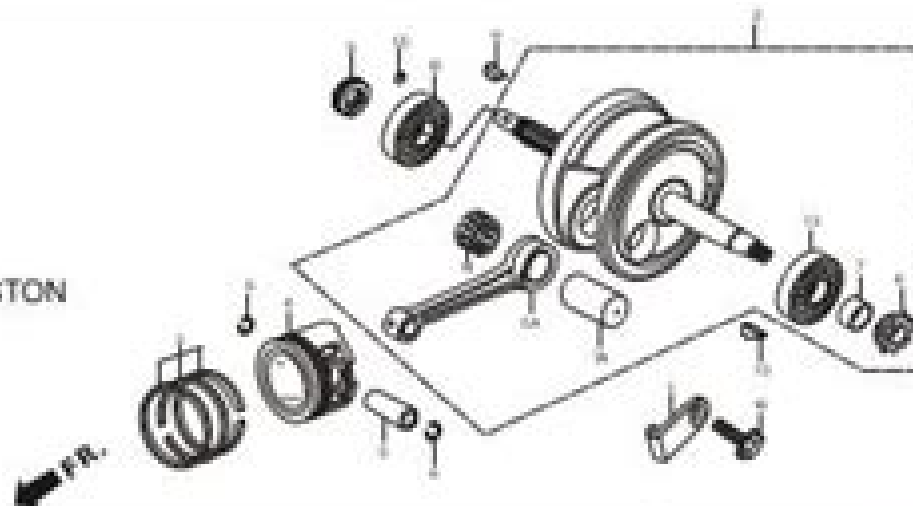


## E-9 CRANK SHAFT/PISTON



Service Item	P.A.T.	Qty.	Part No.	Description	Repl. No./New COVER SPLINDOR	
					CRANK SET	
					SPK	CRK
*CRANK SHAFT COMP. ....	4.0	1	13004-K7C-000	PLATE, BEARING SET .....	0	0
*RING SET, PISTON .....	1.0	0	13005-K7C-000	CRANK SHAFT COMP. ....	1	1
*RING OIL .....						
*RING PISTON .....	1.0	0	13006-K7C-000	RING SET, PISTON (STD) .....	1	1
*RNG. CORR. CTG (ACTUAL, TIME) .....			13007-K7C-000	RING SET, PISTON (J2 S. 0.25) .....	(1)	(1)
*BEARING BRG. PISTON (STD) .....	4.0		13008-K7C-000	RING SET, PISTON (J2 S. 0.50) .....	(1)	(1)
(ADD 3.0 FOR SPK)			13009-K7C-000	RING SET, PISTON (J2 S. 0.75) .....	(1)	(1)
			13010-K7C-000	RING SET, PISTON (J2 S. 1.00) .....	(1)	(1)
		4	13011-K7C-000	PISTON (STD) .....	1	1
			13012-K7C-000	PISTON (J2 S. 0.25) .....	(1)	(1)
			13013-K7C-000	PISTON (J2 S. 0.50) .....	(1)	(1)
			13014-K7C-000	PISTON (J2 S. 0.75) .....	(1)	(1)
			13015-K7C-000	PISTON (J2 S. 1.00) .....	(1)	(1)
		0	13016-K7C-000	PIN, PISTON .....	1	1
		0	13017-K7C-000	PISTON PIN CLIP .....	2	2
		54	13018-K7C-000	ROD, CONNECTING .....	1	1
		7	13019-K7C-000	COLLAR, CRANK SHAFT LEFT .....	1	1
		104	13020-K7C-000	PIN, CRANK .....	1	1
		0	13021-K7C-000	SPROCKET TIE ROD .....	1	1
		0	13022-K7C-000	GEAR OIL PLAMPONE (10F) .....	1	1

# Hero Honda Splendor Engine Diagram

**D Siedentop**



**Hero Honda Splendor Engine Diagram:**

Eventually, you will very discover a additional experience and exploit by spending more cash. still when? attain you put up with that you require to get those all needs in the same way as having significantly cash? Why dont you attempt to acquire something basic in the beginning? Thats something that will lead you to understand even more concerning the globe, experience, some places, taking into consideration history, amusement, and a lot more?

It is your utterly own time to statute reviewing habit. along with guides you could enjoy now is **Hero Honda Splendor Engine Diagram** below.

[https://py.bijouxmedusa.com/public/book-search/fetch.php/Soap\\_Making\\_365\\_Days\\_Of\\_Soap\\_Making\\_365\\_Soap\\_Making\\_Recipes\\_For\\_365\\_Days\\_Soap\\_Making\\_Soap\\_Making\\_Books\\_Soap\\_Making\\_For\\_Beginners\\_Soap\\_Making\\_Guide\\_Making\\_Soap\\_Making\\_Supplies\\_Crafting.pdf](https://py.bijouxmedusa.com/public/book-search/fetch.php/Soap_Making_365_Days_Of_Soap_Making_365_Soap_Making_Recipes_For_365_Days_Soap_Making_Soap_Making_Books_Soap_Making_For_Beginners_Soap_Making_Guide_Making_Soap_Making_Supplies_Crafting.pdf)

## **Table of Contents Hero Honda Splendor Engine Diagram**

1. Understanding the eBook Hero Honda Splendor Engine Diagram
  - The Rise of Digital Reading Hero Honda Splendor Engine Diagram
  - Advantages of eBooks Over Traditional Books
2. Identifying Hero Honda Splendor Engine Diagram
  - Exploring Different Genres
  - Considering Fiction vs. Non-Fiction
  - Determining Your Reading Goals
3. Choosing the Right eBook Platform
  - Popular eBook Platforms
  - Features to Look for in an Hero Honda Splendor Engine Diagram
  - User-Friendly Interface
4. Exploring eBook Recommendations from Hero Honda Splendor Engine Diagram
  - Personalized Recommendations
  - Hero Honda Splendor Engine Diagram User Reviews and Ratings

- Hero Honda Splendor Engine Diagram and Bestseller Lists
- 5. Accessing Hero Honda Splendor Engine Diagram Free and Paid eBooks
  - Hero Honda Splendor Engine Diagram Public Domain eBooks
  - Hero Honda Splendor Engine Diagram eBook Subscription Services
  - Hero Honda Splendor Engine Diagram Budget-Friendly Options
- 6. Navigating Hero Honda Splendor Engine Diagram eBook Formats
  - ePub, PDF, MOBI, and More
  - Hero Honda Splendor Engine Diagram Compatibility with Devices
  - Hero Honda Splendor Engine Diagram Enhanced eBook Features
- 7. Enhancing Your Reading Experience
  - Adjustable Fonts and Text Sizes of Hero Honda Splendor Engine Diagram
  - Highlighting and Note-Taking Hero Honda Splendor Engine Diagram
  - Interactive Elements Hero Honda Splendor Engine Diagram
- 8. Staying Engaged with Hero Honda Splendor Engine Diagram
  - Joining Online Reading Communities
  - Participating in Virtual Book Clubs
  - Following Authors and Publishers Hero Honda Splendor Engine Diagram
- 9. Balancing eBooks and Physical Books Hero Honda Splendor Engine Diagram
  - Benefits of a Digital Library
  - Creating a Diverse Reading Collection Hero Honda Splendor Engine Diagram
- 10. Overcoming Reading Challenges
  - Dealing with Digital Eye Strain
  - Minimizing Distractions
  - Managing Screen Time
- 11. Cultivating a Reading Routine Hero Honda Splendor Engine Diagram
  - Setting Reading Goals Hero Honda Splendor Engine Diagram
  - Carving Out Dedicated Reading Time
- 12. Sourcing Reliable Information of Hero Honda Splendor Engine Diagram
  - Fact-Checking eBook Content of Hero Honda Splendor Engine Diagram
  - Distinguishing Credible Sources

13. Promoting Lifelong Learning
  - Utilizing eBooks for Skill Development
  - Exploring Educational eBooks
14. Embracing eBook Trends
  - Integration of Multimedia Elements
  - Interactive and Gamified eBooks

### **Hero Honda Splendor Engine Diagram Introduction**

In this digital age, the convenience of accessing information at our fingertips has become a necessity. Whether its research papers, eBooks, or user manuals, PDF files have become the preferred format for sharing and reading documents. However, the cost associated with purchasing PDF files can sometimes be a barrier for many individuals and organizations. Thankfully, there are numerous websites and platforms that allow users to download free PDF files legally. In this article, we will explore some of the best platforms to download free PDFs. One of the most popular platforms to download free PDF files is Project Gutenberg. This online library offers over 60,000 free eBooks that are in the public domain. From classic literature to historical documents, Project Gutenberg provides a wide range of PDF files that can be downloaded and enjoyed on various devices. The website is user-friendly and allows users to search for specific titles or browse through different categories. Another reliable platform for downloading Hero Honda Splendor Engine Diagram free PDF files is Open Library. With its vast collection of over 1 million eBooks, Open Library has something for every reader. The website offers a seamless experience by providing options to borrow or download PDF files. Users simply need to create a free account to access this treasure trove of knowledge. Open Library also allows users to contribute by uploading and sharing their own PDF files, making it a collaborative platform for book enthusiasts. For those interested in academic resources, there are websites dedicated to providing free PDFs of research papers and scientific articles. One such website is Academia.edu, which allows researchers and scholars to share their work with a global audience. Users can download PDF files of research papers, theses, and dissertations covering a wide range of subjects. Academia.edu also provides a platform for discussions and networking within the academic community. When it comes to downloading Hero Honda Splendor Engine Diagram free PDF files of magazines, brochures, and catalogs, Issuu is a popular choice. This digital publishing platform hosts a vast collection of publications from around the world. Users can search for specific titles or explore various categories and genres. Issuu offers a seamless reading experience with its user-friendly interface and allows users to download PDF files for offline reading. Apart from dedicated platforms, search engines also play a crucial role in finding free PDF files. Google, for instance, has an advanced search feature that allows users to filter results by file type. By specifying the file type as "PDF," users can find websites that

offer free PDF downloads on a specific topic. While downloading Hero Honda Splendor Engine Diagram free PDF files is convenient, its important to note that copyright laws must be respected. Always ensure that the PDF files you download are legally available for free. Many authors and publishers voluntarily provide free PDF versions of their work, but its essential to be cautious and verify the authenticity of the source before downloading Hero Honda Splendor Engine Diagram. In conclusion, the internet offers numerous platforms and websites that allow users to download free PDF files legally. Whether its classic literature, research papers, or magazines, there is something for everyone. The platforms mentioned in this article, such as Project Gutenberg, Open Library, Academia.edu, and Issuu, provide access to a vast collection of PDF files. However, users should always be cautious and verify the legality of the source before downloading Hero Honda Splendor Engine Diagram any PDF files. With these platforms, the world of PDF downloads is just a click away.

### **FAQs About Hero Honda Splendor Engine Diagram Books**

How do I know which eBook platform is the best for me? Finding the best eBook platform depends on your reading preferences and device compatibility. Research different platforms, read user reviews, and explore their features before making a choice. Are free eBooks of good quality? Yes, many reputable platforms offer high-quality free eBooks, including classics and public domain works. However, make sure to verify the source to ensure the eBook credibility. Can I read eBooks without an eReader? Absolutely! Most eBook platforms offer web-based readers or mobile apps that allow you to read eBooks on your computer, tablet, or smartphone. How do I avoid digital eye strain while reading eBooks? To prevent digital eye strain, take regular breaks, adjust the font size and background color, and ensure proper lighting while reading eBooks. What the advantage of interactive eBooks? Interactive eBooks incorporate multimedia elements, quizzes, and activities, enhancing the reader engagement and providing a more immersive learning experience. Hero Honda Splendor Engine Diagram is one of the best book in our library for free trial. We provide copy of Hero Honda Splendor Engine Diagram in digital format, so the resources that you find are reliable. There are also many Ebooks of related with Hero Honda Splendor Engine Diagram. Where to download Hero Honda Splendor Engine Diagram online for free? Are you looking for Hero Honda Splendor Engine Diagram PDF? This is definitely going to save you time and cash in something you should think about.

### **Find Hero Honda Splendor Engine Diagram :**

**soap making 365 days of soap making 365 soap making recipes for 365 days soap making soap making books  
soap making for beginners soap making guide making soap making supplies crafting**

[solucionario burlington books 2 bachillerato gratis ensayos](#)

[solution to vazirani exercise](#)

[specialized bicycle owners manual](#)

[solutions manual dynamic soil structure interaction wolf](#)

**social psychology from stephen franzoi 6th edition**

[soil testing manual procedures classification data and sampling practices](#)

[social tv how marketers can reach and engage audiences by connecting television to the web media mobile mike proulx](#)

**soekidjo notoatmodjo 2007**

[speak like native s](#)

[smacna architectural sheet metal manual 6th edition](#)

**smt handbook kzn education**

[solucionario world english 2 workbook](#)

[solution of mechanics material by beer 5th edition](#)

[sistemas y procedimientos contables fernando catacora descargar](#)

## **Hero Honda Splendor Engine Diagram :**

*je joue et je colorie les transports avec babar by jean - Mar 31 2022*

web jun 25 2023 merely said the je joue et je colorie les transports avec babar by jean claude gibert is globally suitable with any devices to browse in the abode work environment or possibly in your strategy can be every prime spot within online connections access the je joue et je colorie les transports avec babar by

*notice bibliographique je joue et je colorie les transports avec babar - Apr 12 2023*

web type s de contenu et mode s de consultation texte noté image fixe sans médiation titre s je joue et je colorie les transports avec babar 2 3 ans texte imprimé publication paris hachette jeunesse 2007 description matérielle 8 p ill en coul 31 x 22 cm autocollants collection je joue et je colorie avec babar

*gibert com babar je joue et je colorie les transports albums - Jun 14 2023*

web jun 13 2007 pour s amuser à coller des autocollants correspondant à l image et à colorier ensuite gibert com babar je joue et je colorie les transports albums livres pas cher neuf et occasion la boutique ne fonctionnera pas correctement dans le cas où les cookies sont désactivés

**je joue et je colorie les transports avec babar download - Aug 04 2022**

web 4 je joue et je colorie les transports avec babar 2019 11 07 paintings murals tags and graffiti this is the vision of an artist

who crosses the realms of art sports sex drugs violence fashion and youth fuelled by incredible raw energy irreverence and spontaneity

**je joue et je colorie les transports avec babar by jean** - Mar 11 2023

web dico je lis je colorie et j ecris franais ecm ii en ce moment oui l maintenant tout de suite je joue et je colorie le cirque avec babar achat vente les 35 meilleures images de les transports moyen de pour la classe les transports pinterest la prsentation la ptite ecole du fle livre je colorie sans deborder activites creatives et

je joue et je colorie les transports avec babar - Nov 07 2022

web je joue et je colorie les transports avec babar collectif amazon ca livres aller au contenu principal ca bonjour entrez votre adresse livres bonjour s identifier comptes et listes retours et commandes panier toutes meilleures ventes

*je joue et je colorie les transports avec babar alec g* - Sep 05 2022

web this je joue et je colorie les transports avec babar after getting deal so with you require the books swiftly you can straight acquire it its for that reason utterly easy and correspondingly fats isnt it you have to favor to in this freshen the maps of tolkien s middle earth brian sibley 2003

babar les transports je joue et je colorie les transports fnac - Jul 15 2023

web babar les transports je joue et je colorie les transports collectif hachette jeunesse des milliers de livres avec la livraison chez vous en 1 jour ou en magasin avec 5 de réduction

**je joue et je colorie les transports avec babar** - Jun 02 2022

web je joue et je colorie les transports avec babar journal des instituteurs et des institutrices jun 21 2021 les autochtones du canada aug 12 2020 résumé du cours de physique professé à l université de liège par e bède deuxième édition revue et augmentée oct 06 2022 livres hebdo aug 24 2021 les autochtones du canada

*je joue et je colorie les transports avec babar by jean* - May 01 2022

web may 31 2023 je joue et je colorie les transports avec babar by jean claude gibert je joue et je colorie les transports avec babar by jean claude gibert plus de 120 posies par thmes pour 2017 2018 la tanire eveil petite enfance albums colorier librairie grand fr les meilleures ventes les articles les plus qui je suis accueil mencer avec

je joue et je colorie les transports avec babar livre pas cher - Feb 10 2023

web pour s amuser à coller des autocollants correspondant à l image et à colorier ensuite je joue et je colorie les transports avec babar livre pas cher albums gibert

**babar ep02 babar à la ville vidéo dailymotion** - Jul 03 2022

web oct 18 2017 babar ep02 babar à la ville obligé de fuir la jungle à cause du chasseur babar part pour la ville pour se retrouver dans un endroit tout aussi dangereux et se connecter s inscrire regarder en plein écran il y a 6 ans babar ep02

**je joue et je colorie les transports avec babar broché amazon fr** - Aug 16 2023

web je joue et je colorie les transports avec babar gibert jean claude amazon fr livres passer au contenu principal fr livraison à 44000 nantes connectez vous pour mettre à jour votre position livres sélectionnez la section dans

**babar à la ville cartoon enfants 3 ans chatouiller fr** - Feb 27 2022

web 15 07 2009 retrouvez babar roi des éléphants ainsi que céleste son épouse et reine pom flore alexandre isabelle ses enfants ainsi que zéphir le singe et cornélius le vieil intendant cet épisode raconte la découverte par le jeune babar de la ville [babar les transports je joue et je colorie les transports fnac](#) - Jan 09 2023

web fnac babar les transports je joue et je colorie les transports collectif hachette jeunesse besoin d aide trouver babar les transports je joue et je colorie les transports résumé pour s amuser à coller des autocollants correspondant à l image et à colorier ensuite caractéristiques voir tout date de parution

*babar dessins animés coloriages à imprimer* - Dec 08 2022

web babar est un éléphant de fiction héros de la littérature d enfance et de jeunesse créé par jean de brunhoff après que sa mère a été tuée par un chasseur babar l éléphanteau quitte sa jungle et arrive épuisé dans une grande ville où il se lie d amitié avec la vieille dame qui pourvoit à son éducation après peu de temps

**je joue et je colorie les transports avec babar by jean** - Dec 28 2021

web je joue et je colorie les transports avec babar by jean claude gibert je joue et je colorie les transports avec babar by jean claude gibert 10 ci p a10 la propulsion du velo correction bilan jeux 2019 actualits tric trac mon premier dico je lis je colorie et j écris français des chiffres des multiplications en dessins ohbq info

**je joue et je colorie les transports avec babar decitre** - May 13 2023

web jun 13 2007 je joue et je colorie les transports avec babar de jean claude gibert collection je joue et je colorie livraison gratuite à 0 01 dès 35 d achat librairie decitre votre prochain livre est là

**je joue et je colorie les transports avec babar qr bonide** - Oct 06 2022

web je joue et je colorie les transports avec babar 3 3 image selon le modèle barbie mariposa et le royaume des fées courier corporation avec 200 gommettes mosaïques colle les gommettes multicolores et amuse toi à recomposer les images je joue et je colorie le cirque penguin avec des autocollants repositionnables colle l autocollant

*je joue et je colorie les transports avec babar by jean* - Jan 29 2022

web je joue et je colorie les transports avec babar by jean claude gibert fiche pédagogique ac aix marseille fr je joue et je colorie le cirque avec babar achat vente ouvrages pour la jeunesse rameau bnf sammlungen eveil petite enfance albums colorier librairie grand les 35 meilleures images de les transports

**the best new hotels to book for 2023 vanity fair** - Dec 23 2022

jan 13 2023 bulgari hotel tokyo japan bulgari hotel tokyo will occupy the top seven floors of an ultra skyscraper in the city s yaesu neighbourhood expect the usual bvlgari opulence especially in

**4 star canal street new orleans hotel new orleans marriott** - Mar 02 2021

located less than 100 steps apart on historic canal street the new orleans marriott and sheraton new orleans hotel offer one point of contact one contract and one dedicated service team start planning your french quarter connection gathering with 2 443 combined guest rooms and over 200 000 square feet of flexible meeting space

**3 exciting new hotels to visit in 2023 condé nast traveler** - Aug 31 2023

may 31 2023 3 new hotels to build a trip around in 2022 from big sky to dtla 3 of the best new hotels to visit in 2022 how cities of the future are embracing nature

**nine orchard hotel review new york restored architectural icon** - Jul 06 2021

add articles to your saved list and come back to them any time this highly anticipated boutique hotel located in uber hip dimes square finally opened in 2022 after a storied past well respected

australia cruises 2023 2024 new zealand cruises - Mar 21 2020

epic landscapes colorful cultures and laid back charm experience it all on board an australia new zealand aotearoa cruise with princess the 1 cruise line in australia we ll take you to golden beaches rugged outback world class cities and beyond and on board delight in local food and entertainment as our across the ditch

**the best luxury gran canaria hotels good housekeeping** - Nov 09 2021

oct 28 2023 radisson blu resort arguineguín radisson blu resort this former fishing village is now a luxurious seaside resort offering five star facilities a couple of miles from the resort town of

*3 exciting new hotels to visit in 2023 architectural digest* - Mar 26 2023

may 31 2023 3 exciting new hotels to visit in 2023 every year condé nast traveler reveals its annual hot list spotlighting the best new hotels restaurants and more around the world in our second roundup

*2024 nfl mock draft a new wr crashes the top 3 party* - Feb 19 2020

2 days ago after usc quarterback caleb williams goes no 1 overall to the arizona cardinals and harrison heads to the chicago bears at no 2 coleman takes the no 3 spot with the new york giants it s not

**san sebastián spanish city plans to ban new hotels msn** - Nov 29 2020

2 days ago san sebastián is proposing a ban on new hotels to encourage a more sustainable approach to tourism which could come into force next year the spanish city s government is set to follow in the

6 storied hotels for a new york getaway from chelsea to the - May 04 2021

oct 28 2023 from 265 209 b b 6 the carlyle a rosewood hotel upper east side at one point this beaux arts beauty became

known as the new york white house after john f kennedy unpacked his

*3 month old found dead after generator emitted toxic gas inside new* - Dec 31 2020

1 day ago 0 03 0 56 a 3 month old girl was found dead at her new orleans home after a generator that was left inside the residence emitted toxic gas police told local media new orleans police responded

**best new hotels uk 2023 uk hotel openings women s journal** - Sep 07 2021

aug 3 2023 opening 2023 newcastle s new moxy hotel will be the first moxy hotel in north east england offering stylish rooms at a reasonable rate this boutique marriott brand hotel will be located right in the middle of the action at newcastle helix and it is expected to be just as popular as all the other moxy hotels around the world book now

*the top 100 new luxury hotels opening across the world in 2023* - May 28 2023

oct 30 2023 the st regis red sea resort is part of the red sea project a large scale development project on the country s west coast the destination has a wealth of natural sites such as untouched islands dormant volcanoes deserts and mountains

website the st regis red sea resort saudi arabia opening may 2023

*5 luxury hotels opening soon the week* - Jan 24 2023

oct 31 2023 fontainebleau las vegas the fontainebleau las vegas is pure desert glitz it s been a long time coming with construction first starting 14 years ago the 67 story resort will have 3 655 rooms

more sites needed for new hotel chains in jersey minister says - Jan 29 2021

2 days ago more sites for hotel chains to build on are needed in jersey to encourage visitors all year round deputy kirsten morel said marcus calvani from the jersey hospitality association said new

*3 new hotels to build your trip around in 2023* - Jun 28 2023

may 1 2023 every year condé nast traveler reveals its annual hot list spotlighting the best new hotels restaurants and more around the world in our first edition of 2023 we re visiting nomad in the

**3 new hotels to build your trip around in 2023 condé nast traveler** - Jul 30 2023

may 1 2023 3 new hotels to plan your trip around in 2021 3 of the coolest new hotels to visit in 2021 3 new hotels to build a trip around in 2022 from big sky to dtla

*6 of the best luxury hotels in bali forbes* - Aug 07 2021

2 days ago oberoi hotels and resorts originally built in 1972 as an exclusive private club named kayu aya the oberoi beach resort is one of bali s longest standing hotels for over 50 years it has

50 exciting new hotels 2023 all with pools from the poolside - Jun 16 2022

jan 3 2023 the hotel will be all eco friendly and made of wood with senior suites and for the first time in a hotel in the reunion 5 villas of 3 suites with swimming pool that can be booked independently a main building with a magnificent catering

area an incredibly long 50 meter infinity pool heated in winter with a decked beach with alcoves

**brighton hotel offers cheap hotels lastminute com** - Dec 11 2021

many hotels in brighton reflect the city s past being impressive victorian buildings with a real sense of tradition although there are also a number of quirky contemporary and budget options available buzzing beachfront the famous beach is one of the city s best spots to hang out and it s possible to find a cheap brighton hotel with sea

*10 new hotels opening in istanbul 2023 updated* □□□ - Jun 04 2021

may 3 2022 □□□□□□ we have collected and created a list of new accommodations opening in istanbul turkey including resorts hotels hostels serviced apartments and guesthouses now you can filter choices based on accommodation type star rating year opened and renovated hope you find the brand new most suitable choice quickly

**the best new hotels in europe and the u k 2023 hot list** - Apr 14 2022

by cnt editors 27 april 2023 stefan giftthaler villa passalacqua nothing makes us more excited to get up and go than putting together our annual hot list of the best new hotels cruises restaurants cultural destinations and transportation projects

**court weighs if trump can be kept off 2024 ballot for insurrection** - Dec 19 2019

a colorado court began hearing a lawsuit on monday that seeks to bar donald trump from the 2024 presidential ballot on the grounds he violated his oath of office by engaging in an insurrection

**murder charge after woman found dead in luxury hotel the new** - Oct 28 2020

2 days ago a man has been charged with murder over the death of a woman whose body was found in a luxury hotel room in perth s casino precinct 30 oct 2023 updated 31 oct 2023 share

**best new hotels in the uk for 2023 times travel** - Aug 19 2022

dec 12 2022 we have the pick of the new hotel openings from carmarthenshire to cambridgeshire including everything from traditional country pursuits at a sprawling estate in devon to a totally

*the 26 most anticipated new hotels of 2023 vogue* - Sep 19 2022

dec 23 2022 andbeyond punakha river lodge bhutan september 2023 this september luxury safari lodge andbeyond will open their first property in asia deep in bhutan s lush punakha valley tents as well

**the most exciting new hotel openings coming in 2023** - Apr 26 2023

feb 1 2023 the new hotels opening to look out for around the world from battersea to bhutan via brussels and burgundy

**best new hotels in 2023 fodors travel guide** - Nov 21 2022

dec 29 2022 travel news hotels lodging rosewood hotels resorts keep these 23 hotels on your 2023 travel radar whether it s bragging rights promotional rates or the thrill of christening

**neurips 2023** - Nov 17 2019

hotels new orleans 2023 thank you for visiting the official neurips 2023 hotel reservation site neurips has sanctioned hotel rooms with special pricing we urge you to make your reservations at the designated neurips sanctioned hotels through this link in support of the conference bypassing the room block impedes the conference s ability to provide competitive

[marriott opens 3 brand new beachside resorts in vietnam](#) - Jul 18 2022

2 days ago new marriotts now open in vietnam on october 30 2023 marriott announced the opening of 3 new resort properties in vietnam just days after announcing 3 upcoming luxury properties for the country nha trang marriott resort spa hon tre island is a sprawling complex located beachfront just off the coast of nha trang about 40 minutes from

**brand new hotels aparthotels resorts in turkey** - Oct 16 2019

oct 25 2017 brand new hotel hotel near the beach eco friendly hotel show more additional taxes or fees may apply please check the final price before completing your booking showing 1 20 out of 37 hotels in turkey view more hotels regions istanbul antalya province izmir province ankara gaziantep kayseri mugla province nevsehir

**haverhill man arrested in connection with 2016 slaying of man at n h hotel** - Jun 24 2020

2 days ago robert dowling 51 of haverhill was arrested and charged with second degree murder in the death of david bruce goodwin in conway new hampshire in may of 2016 formella s office said monday

**hotel in new delhi holiday inn new delhi int l airport hotel** - Apr 22 2020

holiday inn new delhi int l airport asset area 12 new delhi 110037 india get directions 4 4 5 2352 reviews a warm welcome awaits you at holiday inn aerocity check in check out su

**new uk hotels 2023 25 openings set to make their mark** - May 16 2022

dec 20 2022 opening date september 2023 overlooking hyde park corner and the wellington arch the peninsula london will be a five star hotel comprising 190 bedrooms and suites as well as 25 luxury residences which are currently for sale the much anticipated hotel will also be home to a rooftop restaurant and bar offering contemporary british cuisine

[nourished by time is taking r b to unexpected altitudes](#) - May 23 2020

october 30 2023 at 3 33 p m edt nourished by time performs at the atlantis in washington d c mauricio castro 3 min how high can we go even if the question is tacit it still feels

**acapulco hurricane otis damage aftermath seen in photos** - Sep 27 2020

1 day ago hurricane otis photos show devastation in acapulco after category 5 storm leaves 47 dead hurricane otis slammed into acapulco mexico last wednesday a surprise category 5 hurricane with 165 mph

[canada new england cruises princess cruises](#) - Jan 18 2020

a leading global metropolitan city new york city influences the world s commerce finance culture fashion and entertainment sail roundtrip from the city that never sleeps and discover world famous landmarks like the new york stock exchange or

statue of liberty explore iconic neighborhoods and see the city through the eyes of the locals

*the most anticipated new hotels of 2023 elite traveler* - Oct 01 2023

dec 15 2022 the hotel is situated on the banks of the bosphorus in the city s historic karaköy district the peninsula situated on a prime spot on the picturesque bosphorus river peninsula istanbul is set to be the latest of the city s uber luxe new hotels when it opens in february 2023 the property will boast a total of 177 accommodations

*the 31 most anticipated new hotel openings for 2023 u s* - Feb 22 2023

jan 31 2023 the 31 most anticipated new hotel openings for 2023 check in to the newest hotel arrivals around the globe by rachael hood jan 31 2023 at 9 20 a m from chic to cozy and everything in

*why dorothy parker s ghost stopped haunting hotel historian* - Aug 26 2020

2 days ago originally published by dorothy parker s ghost spooked guests at new york city s landmark algonquin hotel for more than 50 years then suddenly went silent in 2020 local historians

*13 new hotels in the uk to add to your bucket list cn traveller* - Oct 21 2022

aug 20 2023 whether they re city slicking london hotels or box fresh beachfront hotels across the uk these are the hotel openings we re most excited about booking into as well as the new hotels we ve stayed in and loved this year how we choose the best new hotels in the uk

*it took fontainebleau 23 years to build in las vegas cnn* - Jan 12 2022

oct 25 2023 1 of 6 cnn one of the most storied hotel companies in the united states is inching closer to a brand new 3 7 billion resort in las vegas a resort 23 years in the making fontainebleau

11 best new hotels opening in the uk in 2023 time out - Feb 10 2022

jan 3 2023 1 mollie s manchester opening 2023 tbc okay manchester is popping off for a lot of reasons in 2023 not least the long awaited opening of mega venue factory international but how about one

**the 10 best istanbul 3 star hotels tripadvisor** - Oct 09 2021

these 3 star hotels in istanbul have great views and are well liked by travelers osmanhan hotel traveler rating 5 5 ada hotel istanbul traveler rating 5 5 karakoy port hotel traveler rating 5 5 if you are a resident of another country or region

**new hotel 3 hà nội cập nhật giá năm 2023 booking com** - Jul 26 2020

new hotel 3 house no 5 alley 81 35 linh lang cong vi quận ba Đình ha nô i viê t nam hiển thị bản đồ 11 ảnh new hotel 3 tọa lạc tại vị trí lý tưởng ở quận ba Đình thuộc thành phố hà nội cách trung tâm thương mại vincom center

hot new uk hotel openings in 2023 travel country and town - Mar 14 2022

sep 15 2023 the zetter group s first new hotel opening in a decade will arrive in london in 2025 six 300 year old townhouses in leafy bloomsbury will be transformed into the zetter bloomsbury with 72 bedrooms and suites near russell square and

overlooking the british museum guests can expect an immediately welcoming atmosphere with a sitting room in [santa monica restaurants welcome afm variety](#) - Apr 02 2021

1 day ago main street in santa monica is home to an eclectic mix of restaurants from comforting standards at the library ale house 2911 main st to wolfgang puck s refined asian influenced chinois on

**carbon free chemistry quiz with answers** - Jul 01 2022

web mar 19 2023 the carbon chemistry trivia quiz below is designed to test out what you know about this element and compounds it forms all the very best questions and

*carbon tax in singapore what is the rate and who must pay* - Mar 29 2022

web access the carbon chemistry chapter test a carbon chemistry join that we have the funds for here and check out the link if you enterprise to acquire and install the carbon

**visible light mediated synthesis of 1 3 diarylated imidazo 1 5a** - Dec 26 2021

web this set of materials science multiple choice questions answers mcqs focuses on carbon 1 carbon is a ceramic a true b false view answer 2 what kind of bonds

**mcq questions for class 10 science carbon and its compounds** - Dec 06 2022

web carbon chemistry test 1 carbon is able to bond with other element in many different ways because it has a six protons b four electron c six valence electrons d four

[carbon chemistry test studylib net](#) - Nov 05 2022

web carbon and its compounds class 10 mcq here you will get class 10 mcq on carbon and its compounds at free of cost along with you can take online mcq test for carbon and

**carbon chemistry trivia questions proprofs quiz** - May 31 2022

web mar 22 2023 create your own quiz the carbon cycle involves a series of processes by which carbon compounds are interconverted in the environment carbon flows between

*chemistry worksheets class 10 on chapter 4 carbon and its* - Sep 22 2021

[test carbon chemistry functional groups 2022](#) - Jul 13 2023

web science chemistry organic chemistry test carbon chemistry functional groups 2022 4 0 5 reviews polyhydroxyl alcohols are alcohols with more than one

**carbon and its compounds class 10 extra questions** - Apr 10 2023

web revise and develop your knowledge about systematic carbon chemistry learn the different formulas reactions alkenes alkanes and cycloalkanes

**online test for class 10 chemistry carbon and its compounds** - Jun 12 2023

web click for online test for carbon and its compounds class 10 chapter 4 mcq are asked in board exams so evaluate your knowledge with us

carbon materials science questions and answers sanfoundry - Nov 24 2021

web download pdf class 10 carbon and its compounds mcqs 1 hydrocarbons are organic molecules that contain the element carbon a hydrogen b oxygen c carbon d both

**chem 7 panel blood tests basic metabolic panel verywell health** - Jan 27 2022

web nov 10 2023 graphitic carbon nitride  $C_3N_4$  as a novel heterogeneous catalyst is employed for the visible light mediated synthesis of the imidazo 1 5a pyridines via the

carbon and its compounds class 10 mcq test online - Oct 04 2022

web study material for cbse class 10 chemistry chapter 1 acids bases and salts chapter 2 carbon and its compounds chapter 3 chemical reactions and

chemistry worksheets class 10 on chapter 4 carbon and its - Aug 02 2022

web may 17 2022 answer questions in this free chemistry quiz about the chemical symbol of carbon and its physical and chemical properties test your knowledge and find out how

**cbse class 10 science mcqs chapter 4 carbon and its** - May 11 2023

web cbse class 10 science mcqs chapter 4 carbon and its compounds are provided here to help students tackle the multiple choice questions in the board exam practising these

cbse 10 chemistry cbse carbon and its compounds test - Sep 03 2022

web chemistry worksheets class 10 on chapter 4 carbon and its compounds with answers set 1 all living things are made of carbon the amount of carbon in the earth s crust

*carbon organic chemistry chapter exam study com* - Feb 08 2023

web 1 14 most compounds the contain carbon click the card to flip flashcards learn test match created by pinestar terms in this set 14 organic compound most compounds

carbon chemistry chapter test a carbon chemistry - Feb 25 2022

web nov 16 2023 a chem 7 blood panel is a blood chemistry test that is part of a series of tests ordered before surgery the tests help the medical team understand the patient s

carbon chemistry chemistry quiz visionlearning - Aug 14 2023

web carbon chemistry chemistry quiz visionlearning learn about the ways carbon and hydrogen form bonds includes information on alkanes alkenes alkynes and isomers

**a quiz about the carbon cycle proprofs quiz** - Apr 29 2022

web may 30 2022 in line with singapore s goal of bringing forward its target of reaching net zero ghg emissions by or around 2050 the government announced in the singapore

*class 10 chemistry chapter 4 carbon and its compounds mcqs* - Oct 24 2021

web download pdf cbse class 10 chemistry chapter 4 carbon and its compounds set 3 q 1 identify the unsaturated compounds in the following a chloroprene b butyne c

**carbon chemistry systematic carbon chemistry** - Mar 09 2023

web test and improve your knowledge of carbon organic chemistry with fun multiple choice exams you can take online with study com

*practice questions of carbon with answer explanations byju s* - Sep 15 2023

web carbon chemistry questions with solutions q1 which of the following statements are correct for carbon compounds i most carbon compounds are good conductors of

*chapter 4 carbon chemistry section 2 carbon compounds* - Jan 07 2023

web oct 21 2019 answer 2 c 3 h 8 belongs to the homologous series of a alkynes b alkenes c alkanes d cyclo alkanes answer 3 a 2 ethyl 2 methyl propane b 2 2

**chapter 9 unit test review carbon chemistry flashcards** - Oct 16 2023

web study with quizlet and memorize flashcards containing terms like all contain carbon and hydrogen layers of carbon bonds with weak bonds between layers strong covalent bonds between atoms in each layer soft and slippery arranged in widely spaced layers carbon