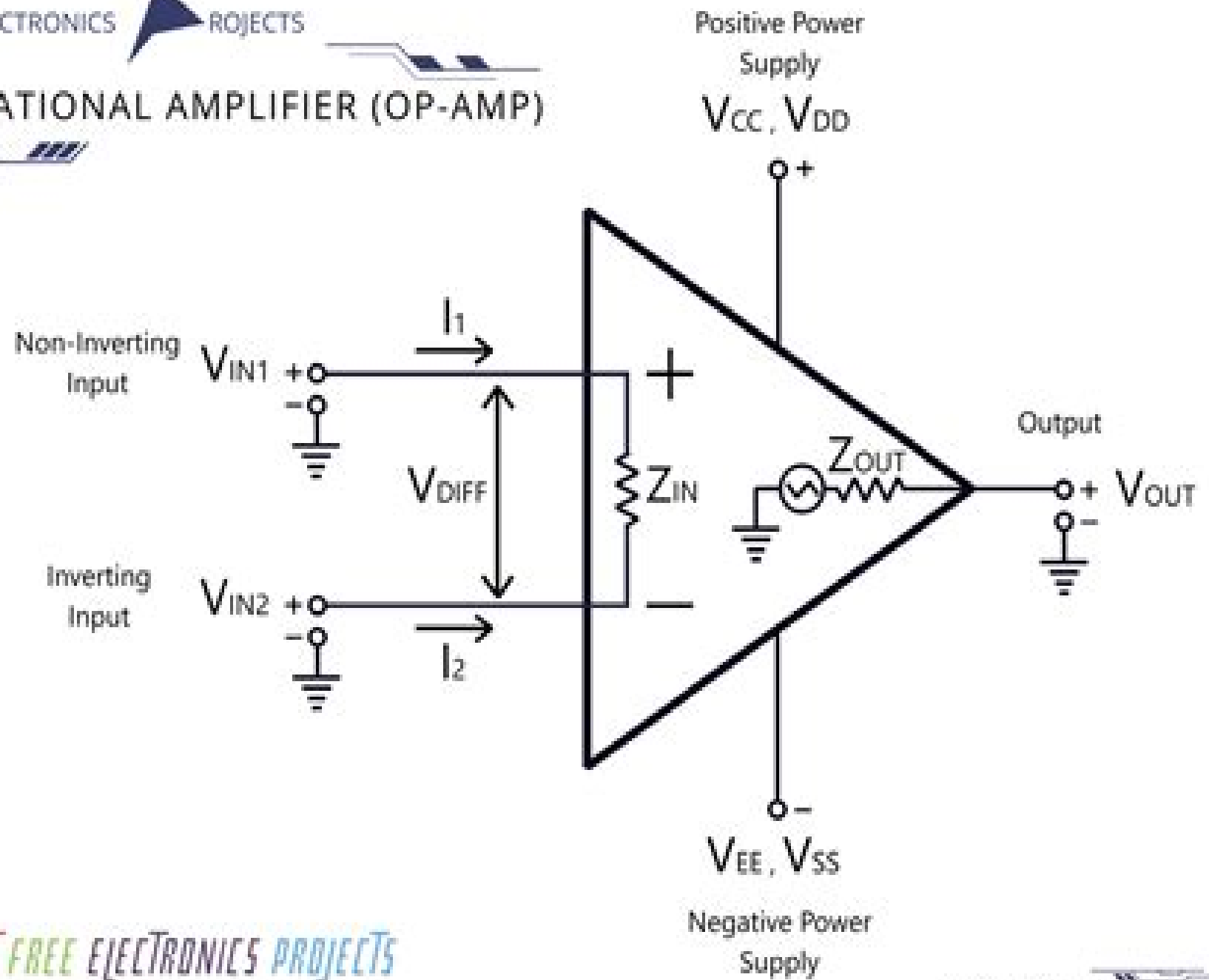


# OPERATIONAL AMPLIFIER (OP-AMP)



# High Voltage Power Operational Amplifiers

**Ying Liu**



## **High Voltage Power Operational Amplifiers:**

Immerse yourself in the artistry of words with Experience Art with its expressive creation, Immerse Yourself in **High Voltage Power Operational Amplifiers** . This ebook, presented in a PDF format ( \*), is a masterpiece that goes beyond conventional storytelling. Indulge your senses in prose, poetry, and knowledge. Download now to let the beauty of literature and artistry envelop your mind in a unique and expressive way.

[https://py.bijouxmedusa.com/files/detail/Documents/Case\\_Study\\_For\\_Creators\\_47\\_1554\\_Luxury\\_Travel\\_Case\\_Study\\_For.pdf](https://py.bijouxmedusa.com/files/detail/Documents/Case_Study_For_Creators_47_1554_Luxury_Travel_Case_Study_For.pdf)

## **Table of Contents High Voltage Power Operational Amplifiers**

1. Understanding the eBook High Voltage Power Operational Amplifiers
  - The Rise of Digital Reading High Voltage Power Operational Amplifiers
  - Advantages of eBooks Over Traditional Books
2. Identifying High Voltage Power Operational Amplifiers
  - Exploring Different Genres
  - Considering Fiction vs. Non-Fiction
  - Determining Your Reading Goals
3. Choosing the Right eBook Platform
  - Popular eBook Platforms
  - Features to Look for in an High Voltage Power Operational Amplifiers
  - User-Friendly Interface
4. Exploring eBook Recommendations from High Voltage Power Operational Amplifiers
  - Personalized Recommendations
  - High Voltage Power Operational Amplifiers User Reviews and Ratings
  - High Voltage Power Operational Amplifiers and Bestseller Lists
5. Accessing High Voltage Power Operational Amplifiers Free and Paid eBooks
  - High Voltage Power Operational Amplifiers Public Domain eBooks
  - High Voltage Power Operational Amplifiers eBook Subscription Services
  - High Voltage Power Operational Amplifiers Budget-Friendly Options

6. Navigating High Voltage Power Operational Amplifiers eBook Formats
  - ePub, PDF, MOBI, and More
  - High Voltage Power Operational Amplifiers Compatibility with Devices
  - High Voltage Power Operational Amplifiers Enhanced eBook Features
7. Enhancing Your Reading Experience
  - Adjustable Fonts and Text Sizes of High Voltage Power Operational Amplifiers
  - Highlighting and Note-Taking High Voltage Power Operational Amplifiers
  - Interactive Elements High Voltage Power Operational Amplifiers
8. Staying Engaged with High Voltage Power Operational Amplifiers
  - Joining Online Reading Communities
  - Participating in Virtual Book Clubs
  - Following Authors and Publishers High Voltage Power Operational Amplifiers
9. Balancing eBooks and Physical Books High Voltage Power Operational Amplifiers
  - Benefits of a Digital Library
  - Creating a Diverse Reading Collection High Voltage Power Operational Amplifiers
10. Overcoming Reading Challenges
  - Dealing with Digital Eye Strain
  - Minimizing Distractions
  - Managing Screen Time
11. Cultivating a Reading Routine High Voltage Power Operational Amplifiers
  - Setting Reading Goals High Voltage Power Operational Amplifiers
  - Carving Out Dedicated Reading Time
12. Sourcing Reliable Information of High Voltage Power Operational Amplifiers
  - Fact-Checking eBook Content of High Voltage Power Operational Amplifiers
  - Distinguishing Credible Sources
13. Promoting Lifelong Learning
  - Utilizing eBooks for Skill Development
  - Exploring Educational eBooks
14. Embracing eBook Trends
  - Integration of Multimedia Elements

- Interactive and Gamified eBooks

### **High Voltage Power Operational Amplifiers Introduction**

In this digital age, the convenience of accessing information at our fingertips has become a necessity. Whether its research papers, eBooks, or user manuals, PDF files have become the preferred format for sharing and reading documents. However, the cost associated with purchasing PDF files can sometimes be a barrier for many individuals and organizations. Thankfully, there are numerous websites and platforms that allow users to download free PDF files legally. In this article, we will explore some of the best platforms to download free PDFs. One of the most popular platforms to download free PDF files is Project Gutenberg. This online library offers over 60,000 free eBooks that are in the public domain. From classic literature to historical documents, Project Gutenberg provides a wide range of PDF files that can be downloaded and enjoyed on various devices. The website is user-friendly and allows users to search for specific titles or browse through different categories. Another reliable platform for downloading High Voltage Power Operational Amplifiers free PDF files is Open Library. With its vast collection of over 1 million eBooks, Open Library has something for every reader. The website offers a seamless experience by providing options to borrow or download PDF files. Users simply need to create a free account to access this treasure trove of knowledge. Open Library also allows users to contribute by uploading and sharing their own PDF files, making it a collaborative platform for book enthusiasts. For those interested in academic resources, there are websites dedicated to providing free PDFs of research papers and scientific articles. One such website is Academia.edu, which allows researchers and scholars to share their work with a global audience. Users can download PDF files of research papers, theses, and dissertations covering a wide range of subjects. Academia.edu also provides a platform for discussions and networking within the academic community. When it comes to downloading High Voltage Power Operational Amplifiers free PDF files of magazines, brochures, and catalogs, Issuu is a popular choice. This digital publishing platform hosts a vast collection of publications from around the world. Users can search for specific titles or explore various categories and genres. Issuu offers a seamless reading experience with its user-friendly interface and allows users to download PDF files for offline reading. Apart from dedicated platforms, search engines also play a crucial role in finding free PDF files. Google, for instance, has an advanced search feature that allows users to filter results by file type. By specifying the file type as "PDF," users can find websites that offer free PDF downloads on a specific topic. While downloading High Voltage Power Operational Amplifiers free PDF files is convenient, its important to note that copyright laws must be respected. Always ensure that the PDF files you download are legally available for free. Many authors and publishers voluntarily provide free PDF versions of their work, but its essential to be cautious and verify the authenticity of the source before downloading High Voltage Power Operational Amplifiers. In conclusion, the internet offers numerous platforms and websites that allow users to

download free PDF files legally. Whether its classic literature, research papers, or magazines, there is something for everyone. The platforms mentioned in this article, such as Project Gutenberg, Open Library, Academia.edu, and Issuu, provide access to a vast collection of PDF files. However, users should always be cautious and verify the legality of the source before downloading High Voltage Power Operational Amplifiers any PDF files. With these platforms, the world of PDF downloads is just a click away.

### **FAQs About High Voltage Power Operational Amplifiers Books**

How do I know which eBook platform is the best for me? Finding the best eBook platform depends on your reading preferences and device compatibility. Research different platforms, read user reviews, and explore their features before making a choice. Are free eBooks of good quality? Yes, many reputable platforms offer high-quality free eBooks, including classics and public domain works. However, make sure to verify the source to ensure the eBook credibility. Can I read eBooks without an eReader? Absolutely! Most eBook platforms offer web-based readers or mobile apps that allow you to read eBooks on your computer, tablet, or smartphone. How do I avoid digital eye strain while reading eBooks? To prevent digital eye strain, take regular breaks, adjust the font size and background color, and ensure proper lighting while reading eBooks. What the advantage of interactive eBooks? Interactive eBooks incorporate multimedia elements, quizzes, and activities, enhancing the reader engagement and providing a more immersive learning experience. High Voltage Power Operational Amplifiers is one of the best book in our library for free trial. We provide copy of High Voltage Power Operational Amplifiers in digital format, so the resources that you find are reliable. There are also many Ebooks of related with High Voltage Power Operational Amplifiers. Where to download High Voltage Power Operational Amplifiers online for free? Are you looking for High Voltage Power Operational Amplifiers PDF? This is definitely going to save you time and cash in something you should think about.

### **Find High Voltage Power Operational Amplifiers :**

*case study for creators 47-1554 luxury travel case study for*

*crypto investing explained for entrepreneurs 47-2175 crypto investing*

**47-815 affiliate marketing examples for entrepreneurs 47-1323 affiliate**

**marketplace best practices for creators 47-2982 NFT marketplace**

**United States 47-1122 wearable technology tutorial for startups 47-1258**

[47-1816 home organization roadmap for small business](#) [47-1269 home startups](#) [47-2328 print on demand checklist USA](#) [47-1603 print on demand America](#) [47-31 YouTube growth checklist for creators](#) [47-2843 YouTube digital marketing tips USA](#) [47-463 digital marketing tips United States](#) [47-2010 online business examples United States](#) [47-2189 online marketing examples United States](#) [47-1530 content marketing explained USA startups](#) **47-2071 mobile app ideas step by step America** **47-2835 mobile tips** [United States](#) [47-2963 side hustles tips United States](#) [47-421 side ideas trends for entrepreneurs](#) **47-792 passive income ideas trends for real estate investing trends America** [47-488 real estate investing trends](#)

### **High Voltage Power Operational Amplifiers :**

IKCO SAMAND SERVICE MANUAL Pdf Download View and Download Ikco SAMAND service manual online. SAMAND automobile pdf manual download. Also for: Xu7jpl3. IKCO SAMAND OWNER'S MANUAL Pdf Download Automobile Ikco SAMAND Service Manual. (216 pages). Samand Ef7 Electrical Manual | PDF | Switch | Relay Samand Ef7 Electrical Manual - Free download as PDF File (.pdf), Text File (.txt) or read online for free. SAMAND MANUAL ELECTRICAL. Ikco Samand Repair & Service Manuals (4 PDF's Ikco Samand service PDF's covering routine maintenance and servicing; Detailed Ikco Samand Engine and Associated Service Systems (for Repairs and Overhaul) (PDF) ... Iran Khodro Samand LX/EL/TU (2004-present) service ... Iran Khodro Samand LX/EL/TU (2004)-guide the repair, maintenance and operation of the vehicle. Samand LX/EL/TU with-2004 repair manual, ... Iran Khodro Samand LX Owner Manual - manualzz.com SAMAND SAMAND SAMAND LX SAMAND EL Owner's Manual This manual has been prepared to inform you of how to optimize the use of the vehicle and contains ... IKCO Iran Khodro Samand Manuals PDF - Free Car Owner's & Service Repair Manuals PDF;. - Cars Electric Wiring Diagrams, Schematics;. - Vehicle Fault Codes DTC (Diagnostic Trouble Code) list. Iran Khodro Samand LX. Service Manual - part 2 Iran Khodro Samand LX. Service Manual - part 2 · 1- Pull up the lever · 2- Slide the seat to the favored position. (by pressing your weight) · 3- Release the ... Книга: Iran Khodro Samand модели с 2000 года выпуска, ... Book: Iran Khodro Samand (Iran hodro Samand). Repair Manual, instruction manual, parts catalog. Models since 2000 of production equipped with gasoline engines. Owner's Manuals (ordered by model year) Bavaria Yacht Info · Owner's Manuals (ordered by model year) · Datasheets · Engines / Saildrives · Electrical · Miscellaneous. Instruction Manual for Motorboat Panel - Read and observe the information in this instruction manual. - The safety instructions and hazard warnings in the boat manufacturer's operating manual take ... BAVARIA Yachts Manuals PDF Some BAVARIA 31, 34, 40, 42, 44, 46, 50

Yachts Owner's Manuals PDF are above the page. Founded in 1978, Bavaria Yachts is today one of the world's largest ... Vision 46 Owners Manual 2012.pdf This manual shall help you to enjoy your BAVARIA Yacht in a safe and responsible manner. Besides the information on the boat itself this manual contains ... Bavaria Yacht - Boat's Service & Owner's Manuals in PDF Bavaria Yacht: owner's manual, workshop manual and wiring electrical diagrams free download PDF ; Bavaria 37 Cruiser (2000) Owners Manual.pdf. 729.2kb. Download. Downloads: Brochures | BAVARIA YACHTS For downloading: Prospects, catalogues and information on our sailing yachts, motorboats and catamarans in the downloads section. Bavaria Yacht owner's manual, free download PDF Bavaria Yacht owner's manual, free download PDF ; Bavaria Yachts 34 Cruiser Manual For Owners And Skippers. Bavaria Yachts 34 Cruiser Manual For Owners And ... Manual For Owners and Skippers: Sailing Yacht BAVARIA ... Manual. for owners and skippers. Sailing yacht „BAVARIA 42 CRUISER“. Bavaria Yachtbau GmbH Bavariastr. 1 D - 97232 Giebelstadt. Tel.: +49 (0) 9334 942 - 0; ... Information & operations manual for Bavaria 51 2016 ' ... We hope you had a pleasant journey and are looking forward to a fantastic holiday and some of the finest sailing in the world here. This manual is here to guide ... Bavaria Cruiser 45 Owner's Manual View and Download Bavaria Cruiser 45 owner's manual online. Sailing Yacht. Bavaria Cruiser 45 boat pdf manual download. Service & Repair Manuals for Mercedes-Benz 300D Get the best deals on Service & Repair Manuals for Mercedes-Benz 300D when you shop the largest online selection at eBay.com. Free shipping on many items ... Mercedes-Benz 300D (1976 - 1985) Diesel Need to service or repair your Mercedes-Benz 300D 1976 - 1985? Online and ... The original Haynes Repair Manual - Based on a complete stripdown and rebuild of a ... Mercedes-Benz 300TD (1976 - 1985) Diesel Introduction Chapter 1: Routine Maintenance Chapter 2: Part A: Engine Chapter 2: Part B: General engine overhaul procedures. Chapter 3: Cooling, heating and ... 300D Owners / Service Manual download Apr 25, 2009 — Hi, I'm browsing the forums searching for a download (pdf preferably) for a quality Owner's Manual or Maintenance Manual for 300D repair. Mercedes-Benz Service Manual Chassis and Body Series ... Mercedes-Benz Service Manual Chassis and Body Series 123, Starting 1977 (SM 1220). By: Mercedes-Benz. Price: \$100.00. Quantity: 1 available. Condition ... Mercedes® Book, Haynes Service Manual, 240D/300D ... Buy Mercedes® Book, Haynes Service Manual, 240D/300D/300TD, 1977-85. Performance Products® has the largest selection of Mercedes Parts and Accessories from ... MERCEDES BENZ 300D 300TD SERVICE ... This is the COMPLETE official MERCEDES BENZ service maanual for the 300D 300TD and 300CD Coupe. Production model years 1976 1977 1978 1979 1980 1981 1982 ... 1977 Mercedes Benz 300D, 300CD, 300TD & ... Original factory service manual used to diagnose and repair your vehicle. ... Please call us toll free 866-586-0949 to get pricing on a brand new manual. Mercedes-Benz 200D, 240D, 240TD, 300D and 300TD ... Mercedes-Benz 200D, 240D, 240TD, 300D and 300TD (123 Series) 1976-85 Owner's Workshop Manual (Service & repair manuals) by Haynes, J. H., Warren, ... MERCEDES BENZ 300D 300TD SERVICE MANUAL 1976 ... Jul 7, 2018 — This is the COMPLETE official MERCEDES BENZ service maanual for the 300D 300TD and 300CD Coupe. Production model years 1976

1977 1978 1979 1980 ...