

# Industrial Circuits Application Note

## Stepper Motor Basics

A stepper motor is an electromechanical device which converts electrical pulses into discrete mechanical movements. The shaft or spindle of a stepper motor rotates in discrete step increments when electrical command pulses are applied to it in the proper sequence. The motor's rotation has several direct relationships to these applied input pulses. The sequence of the applied pulses is directly related to the direction of motor shafts rotation. The speed of the motor shafts rotation is directly related to the frequency of the input pulses and the length of rotation is directly related to the number of input pulses applied.

### Stepper Motor Advantages and Disadvantages

#### Advantages

1. The rotation angle of the motor is proportional to the input pulse.
2. The motor has full torque at standstill (if the windings are energized)
3. Precise positioning and repeatability of movement since good stepper motors have an accuracy of 3 – 5% of a step and this error is non-cumulative from one step to the next.
4. Excellent response to starting/stopping/reversing.
5. Very reliable since there are no contact brushes in the motor. Therefore the life of the motor is simply dependant on the life of the bearing.
6. The motor's response to digital input pulses provides open-loop control, making the motor simpler and less costly to control.
7. It is possible to achieve very low speed synchronous rotation with a load that is directly coupled to the shaft.
8. A wide range of rotational speeds can be realized as the speed is proportional to the frequency of the input pulses.

#### Disadvantages

1. Resonances can occur if not properly controlled.
2. Not easy to operate at extremely high speeds.

### Open Loop Operation

One of the most significant advantages of a stepper motor is its ability to be accurately controlled in an open loop system. Open loop control means no feedback information about position is needed. This type of control eliminates the need for expensive sensing and feedback devices such as optical encoders. Your position is known simply by keeping track of the input step pulses.

### Stepper Motor Types

There are three basic stepper motor types. They are :

- Variable-reluctance
- Permanent-magnet
- Hybrid

#### Variable-reluctance (VR)

This type of stepper motor has been around for a long time. It is probably the easiest to understand from a structural point of view. Figure 1 shows a cross section of a typical V.R. stepper motor. This type of motor consists of a soft iron multi-toothed rotor and a wound stator. When the stator windings are energized with DC current the poles become magnetized. Rotation occurs when the rotor teeth are attracted to the energized stator poles.

#### Permanent Magnet (PM)

Often referred to as a "tin-can" or "canstock" motor the permanent magnet step motor is a low cost and low resolution type motor with typical step angles of 7.5° to 15°. (48 – 24 steps/revolution) PM motors as the

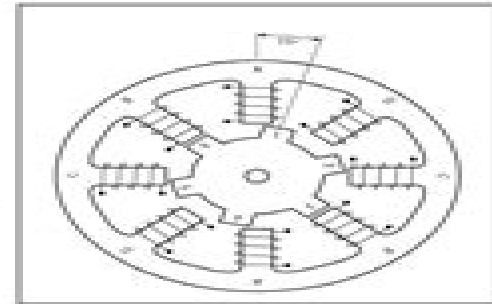


Figure 1. Cross-section of a variable-reluctance (VR) motor.

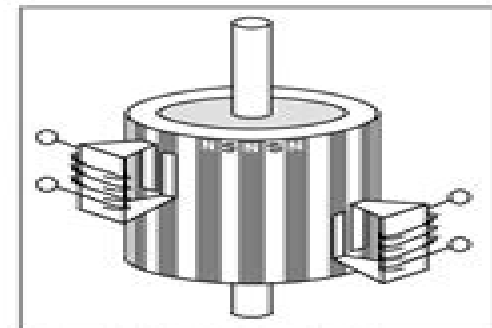


Figure 2. Principle of a PM or tin-can stepper motor.

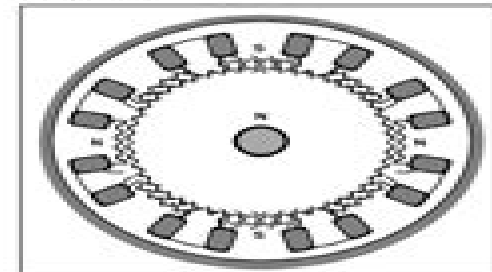


Figure 3. Cross-section of a hybrid stepper motor.

# Industrial Circuits Application Note Drive Circuit Basics

**Xiang Xie**



## **Industrial Circuits Application Note Drive Circuit Basics:**

If you ally dependence such a referred **Industrial Circuits Application Note Drive Circuit Basics** ebook that will manage to pay for you worth, acquire the enormously best seller from us currently from several preferred authors. If you want to witty books, lots of novels, tale, jokes, and more fictions collections are as a consequence launched, from best seller to one of the most current released.

You may not be perplexed to enjoy every book collections Industrial Circuits Application Note Drive Circuit Basics that we will very offer. It is not as regards the costs. Its roughly what you compulsion currently. This Industrial Circuits Application Note Drive Circuit Basics, as one of the most involved sellers here will very be among the best options to review.

<https://py.bijouxmedusa.com/data/detail/HomePages/mechanical%20engineering%20fluid%20mechanics%20lab%20manual%20pdf%20download.pdf>

## **Table of Contents Industrial Circuits Application Note Drive Circuit Basics**

1. Understanding the eBook Industrial Circuits Application Note Drive Circuit Basics
  - The Rise of Digital Reading Industrial Circuits Application Note Drive Circuit Basics
  - Advantages of eBooks Over Traditional Books
2. Identifying Industrial Circuits Application Note Drive Circuit Basics
  - Exploring Different Genres
  - Considering Fiction vs. Non-Fiction
  - Determining Your Reading Goals
3. Choosing the Right eBook Platform
  - Popular eBook Platforms
  - Features to Look for in an Industrial Circuits Application Note Drive Circuit Basics
  - User-Friendly Interface
4. Exploring eBook Recommendations from Industrial Circuits Application Note Drive Circuit Basics
  - Personalized Recommendations
  - Industrial Circuits Application Note Drive Circuit Basics User Reviews and Ratings

- Industrial Circuits Application Note Drive Circuit Basics and Bestseller Lists
- 5. Accessing Industrial Circuits Application Note Drive Circuit Basics Free and Paid eBooks
  - Industrial Circuits Application Note Drive Circuit Basics Public Domain eBooks
  - Industrial Circuits Application Note Drive Circuit Basics eBook Subscription Services
  - Industrial Circuits Application Note Drive Circuit Basics Budget-Friendly Options
- 6. Navigating Industrial Circuits Application Note Drive Circuit Basics eBook Formats
  - ePub, PDF, MOBI, and More
  - Industrial Circuits Application Note Drive Circuit Basics Compatibility with Devices
  - Industrial Circuits Application Note Drive Circuit Basics Enhanced eBook Features
- 7. Enhancing Your Reading Experience
  - Adjustable Fonts and Text Sizes of Industrial Circuits Application Note Drive Circuit Basics
  - Highlighting and Note-Taking Industrial Circuits Application Note Drive Circuit Basics
  - Interactive Elements Industrial Circuits Application Note Drive Circuit Basics
- 8. Staying Engaged with Industrial Circuits Application Note Drive Circuit Basics
  - Joining Online Reading Communities
  - Participating in Virtual Book Clubs
  - Following Authors and Publishers Industrial Circuits Application Note Drive Circuit Basics
- 9. Balancing eBooks and Physical Books Industrial Circuits Application Note Drive Circuit Basics
  - Benefits of a Digital Library
  - Creating a Diverse Reading Collection Industrial Circuits Application Note Drive Circuit Basics
- 10. Overcoming Reading Challenges
  - Dealing with Digital Eye Strain
  - Minimizing Distractions
  - Managing Screen Time
- 11. Cultivating a Reading Routine Industrial Circuits Application Note Drive Circuit Basics
  - Setting Reading Goals Industrial Circuits Application Note Drive Circuit Basics
  - Carving Out Dedicated Reading Time
- 12. Sourcing Reliable Information of Industrial Circuits Application Note Drive Circuit Basics
  - Fact-Checking eBook Content of Industrial Circuits Application Note Drive Circuit Basics
  - Distinguishing Credible Sources

13. Promoting Lifelong Learning
  - Utilizing eBooks for Skill Development
  - Exploring Educational eBooks
14. Embracing eBook Trends
  - Integration of Multimedia Elements
  - Interactive and Gamified eBooks

### **Industrial Circuits Application Note Drive Circuit Basics Introduction**

In the digital age, access to information has become easier than ever before. The ability to download Industrial Circuits Application Note Drive Circuit Basics has revolutionized the way we consume written content. Whether you are a student looking for course material, an avid reader searching for your next favorite book, or a professional seeking research papers, the option to download Industrial Circuits Application Note Drive Circuit Basics has opened up a world of possibilities. Downloading Industrial Circuits Application Note Drive Circuit Basics provides numerous advantages over physical copies of books and documents. Firstly, it is incredibly convenient. Gone are the days of carrying around heavy textbooks or bulky folders filled with papers. With the click of a button, you can gain immediate access to valuable resources on any device. This convenience allows for efficient studying, researching, and reading on the go. Moreover, the cost-effective nature of downloading Industrial Circuits Application Note Drive Circuit Basics has democratized knowledge. Traditional books and academic journals can be expensive, making it difficult for individuals with limited financial resources to access information. By offering free PDF downloads, publishers and authors are enabling a wider audience to benefit from their work. This inclusivity promotes equal opportunities for learning and personal growth. There are numerous websites and platforms where individuals can download Industrial Circuits Application Note Drive Circuit Basics. These websites range from academic databases offering research papers and journals to online libraries with an expansive collection of books from various genres. Many authors and publishers also upload their work to specific websites, granting readers access to their content without any charge. These platforms not only provide access to existing literature but also serve as an excellent platform for undiscovered authors to share their work with the world. However, it is essential to be cautious while downloading Industrial Circuits Application Note Drive Circuit Basics. Some websites may offer pirated or illegally obtained copies of copyrighted material. Engaging in such activities not only violates copyright laws but also undermines the efforts of authors, publishers, and researchers. To ensure ethical downloading, it is advisable to utilize reputable websites that prioritize the legal distribution of content. When downloading Industrial Circuits Application Note Drive Circuit Basics, users should also consider the potential security risks associated with online platforms. Malicious actors may exploit vulnerabilities

in unprotected websites to distribute malware or steal personal information. To protect themselves, individuals should ensure their devices have reliable antivirus software installed and validate the legitimacy of the websites they are downloading from. In conclusion, the ability to download Industrial Circuits Application Note Drive Circuit Basics has transformed the way we access information. With the convenience, cost-effectiveness, and accessibility it offers, free PDF downloads have become a popular choice for students, researchers, and book lovers worldwide. However, it is crucial to engage in ethical downloading practices and prioritize personal security when utilizing online platforms. By doing so, individuals can make the most of the vast array of free PDF resources available and embark on a journey of continuous learning and intellectual growth.

### **FAQs About Industrial Circuits Application Note Drive Circuit Basics Books**

1. Where can I buy Industrial Circuits Application Note Drive Circuit Basics books? Bookstores: Physical bookstores like Barnes & Noble, Waterstones, and independent local stores. Online Retailers: Amazon, Book Depository, and various online bookstores offer a wide range of books in physical and digital formats.
2. What are the different book formats available? Hardcover: Sturdy and durable, usually more expensive. Paperback: Cheaper, lighter, and more portable than hardcovers. E-books: Digital books available for e-readers like Kindle or software like Apple Books, Kindle, and Google Play Books.
3. How do I choose a Industrial Circuits Application Note Drive Circuit Basics book to read? Genres: Consider the genre you enjoy (fiction, non-fiction, mystery, sci-fi, etc.). Recommendations: Ask friends, join book clubs, or explore online reviews and recommendations. Author: If you like a particular author, you might enjoy more of their work.
4. How do I take care of Industrial Circuits Application Note Drive Circuit Basics books? Storage: Keep them away from direct sunlight and in a dry environment. Handling: Avoid folding pages, use bookmarks, and handle them with clean hands. Cleaning: Gently dust the covers and pages occasionally.
5. Can I borrow books without buying them? Public Libraries: Local libraries offer a wide range of books for borrowing. Book Swaps: Community book exchanges or online platforms where people exchange books.
6. How can I track my reading progress or manage my book collection? Book Tracking Apps: Goodreads, LibraryThing, and Book Catalogue are popular apps for tracking your reading progress and managing book collections. Spreadsheets: You can create your own spreadsheet to track books read, ratings, and other details.
7. What are Industrial Circuits Application Note Drive Circuit Basics audiobooks, and where can I find them? Audiobooks: Audio recordings of books, perfect for listening while commuting or multitasking. Platforms: Audible, LibriVox, and

Google Play Books offer a wide selection of audiobooks.

8. How do I support authors or the book industry? Buy Books: Purchase books from authors or independent bookstores. Reviews: Leave reviews on platforms like Goodreads or Amazon. Promotion: Share your favorite books on social media or recommend them to friends.
9. Are there book clubs or reading communities I can join? Local Clubs: Check for local book clubs in libraries or community centers. Online Communities: Platforms like Goodreads have virtual book clubs and discussion groups.
10. Can I read Industrial Circuits Application Note Drive Circuit Basics books for free? Public Domain Books: Many classic books are available for free as they're in the public domain. Free E-books: Some websites offer free e-books legally, like Project Gutenberg or Open Library.

### **Find Industrial Circuits Application Note Drive Circuit Basics :**

**mechanical engineering fluid mechanics lab manual pdf download**

**maths watch higher gcse questions and answers**

[mathematics a paper 2 p44024a answers](#)

[mcat psychology and sociology content review](#)

[mathematics the core course for a level](#)

[max brooks der zombie survival guide](#)

**mcgraw hill ged study guide**

[maths on target year 5 answers](#)

**mathilukal vaikom muhammad basheer**

**mcconnell brue economics 15th edition key question answers**

[manuale del linguaggio di programmazione in python](#)

[manual terapia cognitivo conductual pdf](#)

[mathematical understanding of nature essays on amazing physical phenomena and their understanding by mathematicians](#)

[mars and venus starting over a practical guide for finding love again after painful breakup divorce or the loss of loved one](#)

[john gray](#)

**mechanical engineering craft studies**

## Industrial Circuits Application Note Drive Circuit Basics :

**resmi adobe photoshop fotoğraf ve tasarım yazılımı** - May 20 2023

web adobe photoshop photoshop Üretken yapay zeka artık her şey değişti gelmiş geçmiş en muhteşem photoshop sürümüyle geleceğe adım atın adobe firefly in gücüyle desteklenen Üretken dolgu ve Üretken genişletme özelliklerini kullanarak dilediğiniz görüntüye içerik ekleyin kaldırın veya içerikleri genişletin İnanmak için kendiniz

photoshop İndir fotoğraf düzenleme yazılımı gezginler - Sep 24 2023

web may 24 2023 photoshop cc 24 5 3 2628 oy lisans deneme yayımcı adobe boyut 41 kb ekleyen pantegra arayüz türkçe güncelleme 24 05 2023 sistem windows photoshop cc 24 5 İndir eset internet security İndirin fotoğraf düzenleme yazılımı

**adobe photoshop cc download** - Jan 16 2023

web sep 20 2023 adobe photoshop cc is offered as a downloader directly from adobe features of adobe photoshop cc adjustment layers adjust color contrast and brightness with a variety of easy to use adjustment layers automation automate repetitive tasks with actions scripts and batch processing

*photoshop un son sürümündeki yeni ve geliştirilmiş özellikler* - Dec 15 2022

web oct 6 2023 ayrıntılı özete bakın ipad de photoshop ekim 2023 sürümü 5 1 ve 5 2 sürümleri piksel katmanlarında adobe camera raw filtresiyle çarpıcı fotoğraflar oluşturun ipad de photoshop ta çalışırken piksel katmanlarına adobe camera raw filtreleri uygulayarak çarpıcı fotoğraflar oluşturun kaldır aracı artık ios ta mevcut

adobe photoshop u şimdi indirin ve ücretsiz deneyin adobe türkiye - Jun 21 2023

web photoshop un ücretsiz deneme sürümünü indirerek hemen masaüstünüzde ve ipad inizde mükemmel görüntüler grafikler resimler ve 3b çalışmalar oluşturmaya başlayın 7 günlük ücretsiz deneme sürümüyle photoshop u deneyin

**official adobe photoshop photo design software** - Apr 19 2023

web combine retouch remix images with photoshop everyone can transform how you create high quality unique content with gen ai in photoshop try for free

**adobe photoshop cc İndir Ücretsiz İndir tamindir** - Jul 22 2023

web mar 13 2022 can Çevrim 2 yıl Önce güncellendi dünya üzerindeki en popüler resim düzenleme ve tasarım programlarının başında gelen adobe photoshop ve diğer adobe servisleri için gelişmiş özellikler sunan yeni güncelleme paketi creative cloud ile birlikte adobe photoshop cc karşınızda

**adobe photoshop cc download** - Aug 23 2023

web aug 25 2023 adobe photoshop cc is the image editing software market reference becoming an essential tool for professionals and enthusiasts in the world of digital photography developed by adobe and integrated within the creative cloud suite photoshop is a powerful tool to enhance edit and manipulate any image with amazing

[creative cloud uygulamalarınızın nasıl indirilip yükleneceğini](#) - Mar 18 2023

web jun 14 2023 creative cloud uygulamalarını indirme son güncelleme 14 haz 2023 creative cloud masaüstü uygulaması da dahil olmak üzere creative cloud uygulamalarını indirmeyi ve yüklemeyi öğrenin uygulamalarınızı ilk kez indirirken veya yeni ya da ek bir bilgisayara indirirken burada açıklanan adımları uygulayın

[download photoshop and get started adobe inc](#) - Feb 17 2023

web features compare plans support free trial sign in photoshop get started download photoshop on your desktop ipad and web and find tutorials to get up and running how to download install photoshop installing for the first time or on a new device click get photoshop on the desktop below to begin downloading

[30 minuten verhandeln amazon com au books](#) - Oct 21 2022

web 30 minuten verhandeln von peter brandl sachbücher ratgeber hörbücher auch zum download verfügbar hörbuch abo jetzt 30 tage kostenlos testen

[30 minuten verhandeln in 30 minuten wissen sie mehr](#) - Jul 30 2023

web 30 minuten verhandeln in 30 minuten wissen sie mehr taschenbuch 26 märz 2012 von peter brandl autor 51 sternbewertungen alle formate und editionen anzeigen

**30 minuten verhandeln by peter brandl is available in these** - May 16 2022

web beschreibung warum gelingt es manchen menschen scheinbar mühelos ihre ziele in verhandlungen durchzusetzen während andere stets den kürzeren zu ziehen

[30 minuten verhandeln brandl peter amazon com tr kitap](#) - Oct 01 2023

web 30 minuten verhandeln brandl peter amazon com tr kitap Çerez tercihlerinizi seçin Çerez bildirimimizde ayrıntılı şekilde açıklandığı üzere alışveriş yapmanızı sağlamak

[30 minuten verhandeln orell füssli](#) - Apr 14 2022

web das e book zum kurs nutzen sie die möglichkeit das e book verhandeln mit erfolg ziele strategien taktiken zum online kurs mit dem international erfolgreichen

[30 minuten verhandeln von peter brandl hörbuch orell füssli](#) - Sep 19 2022

web listen free to 30 minuten verhandeln audiobook by peter brandl with a 30 day free trial stream and download audiobooks to your computer tablet and ios and android devices

**30 minuten verhandeln bücher de** - Apr 26 2023

web may 10 2012 30 minuten verhandeln copy and paste the code into your website div script src overdrive com media 2362828 sample embed slug 30

[30 minuten verhandeln by peter brandl overdrive](#) - Jan 24 2023

web 30 minuten verhandeln overlay schliessen ebenfalls verfügbar als

**seminar verhandeln mit erfolg die zeit akademie** - Mar 14 2022

web heimlieferung oder in filiale 30 minuten verhandeln von peter brandl orell füssli der buchhändler ihres vertrauens meine filiale geschäftskunden kundenprogramme

verhandeln auf türkisch übersetzen deutsch türkisch wörterbuch - Jun 16 2022

web warum gelingt es manchen menschen scheinbar mühelos ihre ziele in verhandlungen durchzusetzen während andere stets den kürzeren zu ziehen scheinen die gute

**30 minuten verhandeln von peter brandl hörbuch downloads** - Feb 10 2022

web 2 alternativen alternativen machen sie im wahrsten sinne des wortes beweglich worauf können sie verzichten wo können sie sich andere lösungen vorstellen leider wird in

30 minuten verhandeln audiobook by peter brandl spotify - Feb 22 2023

web 30 minuten verhandeln copy and paste the code into your website div script src overdrive com media 3515118 sample embed slug 30 minuten

30 minuten verhandeln audio amazon com tr - Jun 28 2023

web 30 minuten verhandeln audio brandl peter amazon com tr kitap Çerez tercihlerinizi seçin Çerez bildirimimizde ayrıntılı şekilde açıklandığı üzere alışveriş yapmanızı

*30 minuten verhandeln peter brandl buch gabal verlag* - Aug 31 2023

web warum gelingt es manchen menschen scheinbar mühelos ihre ziele in verhandlungen durchzusetzen während andere stets den kürzeren zu ziehen scheinen

*30 minuten verhandeln by peter brandl goodreads* - May 28 2023

web may 27 2021 30 minuten verhandeln book read reviews from world s largest community for readers warum gelingt es manchen menschen scheinbar mühelos ihre ziele in v

**30 minuten verhandeln by peter brandl overdrive** - Mar 26 2023

web listen to 30 minuten verhandeln on spotify peter brandl audiobook 2012 18 songs

**30 minuten verhandeln von peter brandl ebook scribd** - Nov 21 2022

web select the department you want to search in

*german 30 minuten verhandeln audiobooks com* - Aug 19 2022

web 9783862007912 topic business subtopic management

**chapter 9 das mama prinzip 30 minuten verhandeln** - Jan 12 2022

web die gute nachricht ist verhandeln kann man lernen das buch erklärt wie man sich richtig auf eine verhandlung

vorbereitet wie man selbst überzeugend argumentiert und wie  
**30 minuten verhandeln on apple books** - Dec 11 2021

**30 minuten verhandeln von peter brandl ebook thalia** - Dec 23 2022

web peter mohr

*pdf 30 minuten verhandeln by peter brandl ebook perlego* - Jul 18 2022

web 9 direkte treffer gefunden für verhandeln deutsch türkisch verhandeln v rechtswissenschaft verhandelte hat verhandelt  
mahkemedede görüşmek verhandeln

**london interbank offered rate libor history** - Sep 07 2021

libor rate forecast 7 years analytics mirowin com - Feb 22 2023

web why the us should care about sovereign creditor lawsuits nov 01 2023 private equity higher rates start to pummel  
dealmakers nov 01 2023 the boj is playing a blinder oct

*law firms susman godfrey hausfeld seek 25 mln from latest* - Sep 19 2022

web libor rates 30 year historical chart this interactive chart compares 1 month 3 month 6 month and 12 month historical  
dollar libor rates back to 1986 the current 1 month

**gbp libor interest rates global rates com** - May 16 2022

web interest rate forecasts including u s treasury rates eu 10 year government bonds libors mortgage rates corporate bond  
yields fed funds and wsj prime rate

**3 month libor rate forecast usd** - Dec 11 2021

web bankrate com provides the 1 year libor rate and today s current libor rates index

*libor forecast for 2023 2024 and 2025 long forecast* - Oct 01 2023

web 26 rows nov 2 2023 libor forecast for 2023 2024 and 2025 2023 10 31 libor usd 3m forecast for next months and years  
the current libor rate is equal 5 64482 libor forecast for october 2023 the forecast for beginning of october 5 657

interest rates long term interest rates forecast oecd data - Aug 31 2023

web long term interest rates forecast refers to projected values of government bonds maturing in ten years find compare and  
share oecd data by indicator organisation for

forecast of 12 month libor rate usd - May 28 2023

web 1 day ago market expectations put it at 93 that the bank rate will remain at 5 25 today that leaves a 7 expectation of a  
rise to 5 5 it is worth reiterating as always that

*interest rate forecasts* - Mar 14 2022

web [libor rate forecast 7 years yeah reviewing a books libor rate forecast 7 years could amass your near links listings this is just one of the solutions for you to be successful](#)

**3 month libor rate forecast usd** - Apr 14 2022

web [forecast errors and comparison with past official forecasts global financial stability report lulu com this paper provides the basis for the annual review of the fund s](#)

*term sofr fallback rate sofr and treasury* - Apr 26 2023

web [on the fiscal outlook obr forecast that public sector net borrowing will decline steadily as share of national income but more slowly than forecast in november the](#)

[benchmark 10 year treasury yield could top 7 ned davis](#) - Nov 21 2022

web [oct 30 2023 carmody who heads susman godfrey s new york office and is a member of the firm s executive committee is billing at 2 200 an hour the filing showed michael](#)

**1 year libor libor rate current interest rates index one** - Oct 09 2021

[libor rate forecast 7 years copy projects techhut](#) - Oct 21 2022

web [office for budget responsibility forecast evaluation report derivatives workbook cfa program curriculum 2019 level ii volumes 1 6 box set office for budget responsibility](#)

[latest bond rates interest rates libor and interbank rates ft com](#) - Dec 23 2022

web [2 libor rate forecast 7 years 2019 12 02 topics include modeling cash flows net investment income versus net portfolio value projections of interest rates and volatility a](#)

**libor rate forecast 7 years pdf banking finance gov** - Feb 10 2022

web [sep 17 2023 current detailed forecast of 3 month libor usd london interbank offered rate 3 month libor chart and historical data](#)

[libor long forecast](#) - Jul 30 2023

web [26 rows 2023 10 31 libor usd 3m forecast for next months and years the current](#)

[libor rate forecast 7 years copy smtp ablogtwatch](#) - Aug 19 2022

web [oct 30 2023 board revises up inflation forecasts for 2023 2024 ueda plays down chance of near term end to ycc negative rate tokyo oct 31 reuters the bank of](#)

*libor rates 30 year historical chart macrotrends* - Jul 18 2022

web [oct 26 2023 interest rates and background information euribor interest rate 1 week euribor interest rate 1 month](#)

euribor interest rate 3 months euribor interest rate 6

forecast of 12 month libor rate usd - Nov 09 2021

web oct 1 2023 this webpage updated on october 1 2023 click here to jump to the top of this document current libor rates

libor history libor rates chart daily

*libor interest rates global rates com* - Jun 28 2023

web oct 25 2023 libor current and historical libor interest rates in the table below you will find the most recent libor london interbank offered rate interest rates clicking

**interest rates latest what is expected interest rate decision on** - Mar 26 2023

web 1 day ago trading economics provides data for 20 million economic indicators from 196 countries including actual values consensus figures forecasts historical time series

**libor rate forecast 7 years 2022 yvc moeys gov** - Jan 12 2022

web aug 9 2023 30 year mortgage rate 7 63 detailed forecast of the 1 year libor rate with historical trend chart of libor rates and historical data

**boj relaxes grip on rates as end to yield control looms** - Jun 16 2022

web sep 17 2023 current detailed forecast of 3 month libor usd london interbank offered rate 3 month libor chart and historical data

**libor rate forecast 2023 2024 trading economics** - Jan 24 2023

web 2 days ago add a term premium for longer dated debt which pre pandemic averaged 1 65 for the period since 1961 and you get 7 20 he said so getting comfortable