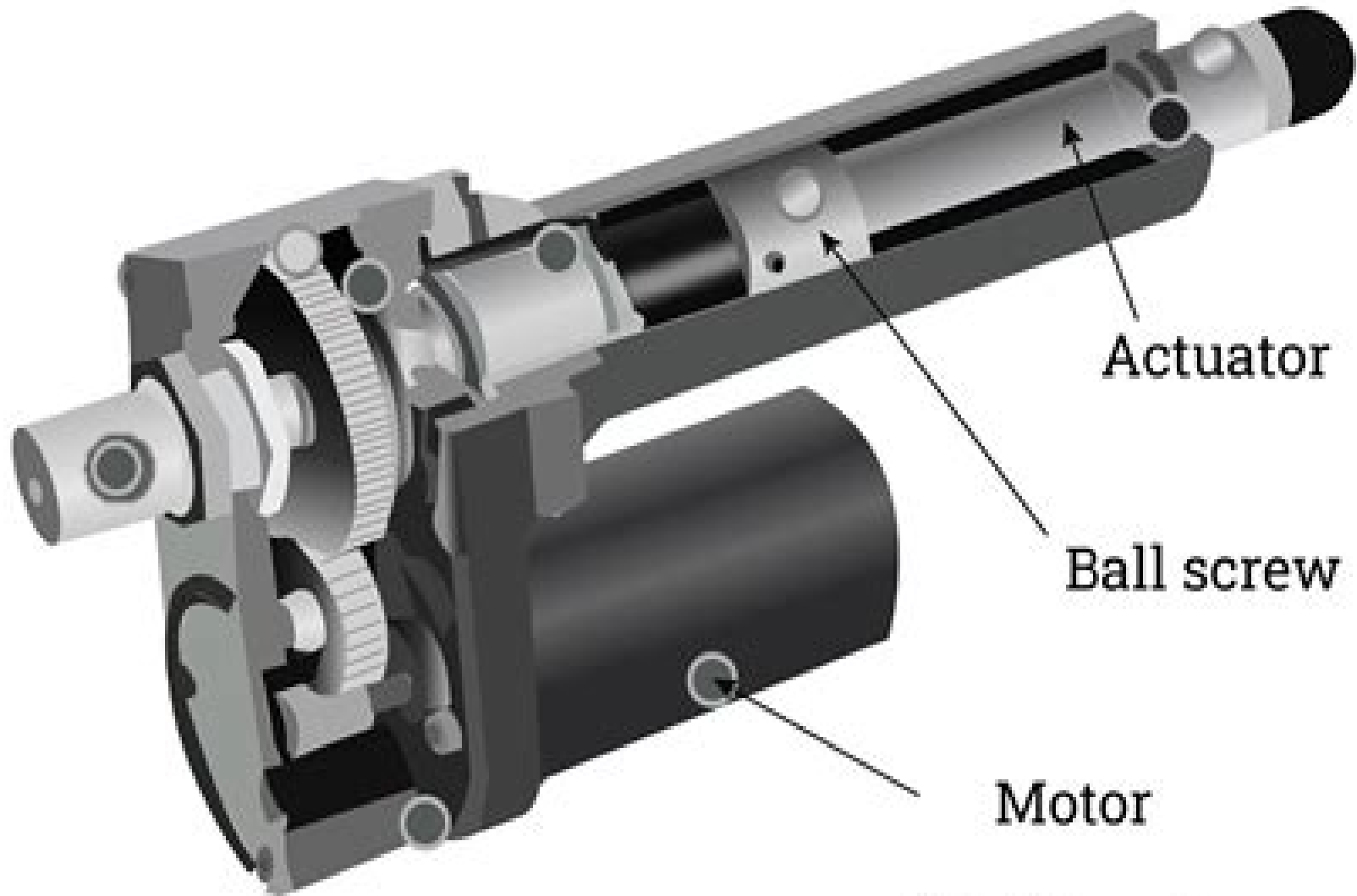


Electric Actuator



Instrumentation And Control Tutorial 2 Electric Actuators

L Darling-Hammond



Instrumentation And Control Tutorial 2 Electric Actuators:

Whispering the Secrets of Language: An Mental Quest through **Instrumentation And Control Tutorial 2 Electric Actuators**

In a digitally-driven earth where monitors reign supreme and quick interaction drowns out the subtleties of language, the profound secrets and emotional nuances concealed within words often get unheard. Yet, situated within the pages of **Instrumentation And Control Tutorial 2 Electric Actuators** a interesting literary treasure pulsating with raw emotions, lies an exceptional quest waiting to be undertaken. Composed by a skilled wordsmith, that marvelous opus invites readers on an introspective journey, gently unraveling the veiled truths and profound influence resonating within the very cloth of every word. Within the emotional depths of this emotional evaluation, we will embark upon a genuine exploration of the book is core styles, dissect their captivating writing style, and succumb to the powerful resonance it evokes deep within the recesses of readers hearts.

<https://py.bijouxmedusa.com/files/book-search/index.jsp/States%2094%201945%20Fitness%20Routines%20Software%20America%2094%201660%20Fitness.pdf>

Table of Contents Instrumentation And Control Tutorial 2 Electric Actuators

1. Understanding the eBook Instrumentation And Control Tutorial 2 Electric Actuators
 - The Rise of Digital Reading Instrumentation And Control Tutorial 2 Electric Actuators
 - Advantages of eBooks Over Traditional Books
2. Identifying Instrumentation And Control Tutorial 2 Electric Actuators
 - Exploring Different Genres
 - Considering Fiction vs. Non-Fiction
 - Determining Your Reading Goals
3. Choosing the Right eBook Platform
 - Popular eBook Platforms
 - Features to Look for in an Instrumentation And Control Tutorial 2 Electric Actuators
 - User-Friendly Interface

4. Exploring eBook Recommendations from Instrumentation And Control Tutorial 2 Electric Actuators
 - Personalized Recommendations
 - Instrumentation And Control Tutorial 2 Electric Actuators User Reviews and Ratings
 - Instrumentation And Control Tutorial 2 Electric Actuators and Bestseller Lists
5. Accessing Instrumentation And Control Tutorial 2 Electric Actuators Free and Paid eBooks
 - Instrumentation And Control Tutorial 2 Electric Actuators Public Domain eBooks
 - Instrumentation And Control Tutorial 2 Electric Actuators eBook Subscription Services
 - Instrumentation And Control Tutorial 2 Electric Actuators Budget-Friendly Options
6. Navigating Instrumentation And Control Tutorial 2 Electric Actuators eBook Formats
 - ePub, PDF, MOBI, and More
 - Instrumentation And Control Tutorial 2 Electric Actuators Compatibility with Devices
 - Instrumentation And Control Tutorial 2 Electric Actuators Enhanced eBook Features
7. Enhancing Your Reading Experience
 - Adjustable Fonts and Text Sizes of Instrumentation And Control Tutorial 2 Electric Actuators
 - Highlighting and Note-Taking Instrumentation And Control Tutorial 2 Electric Actuators
 - Interactive Elements Instrumentation And Control Tutorial 2 Electric Actuators
8. Staying Engaged with Instrumentation And Control Tutorial 2 Electric Actuators
 - Joining Online Reading Communities
 - Participating in Virtual Book Clubs
 - Following Authors and Publishers Instrumentation And Control Tutorial 2 Electric Actuators
9. Balancing eBooks and Physical Books Instrumentation And Control Tutorial 2 Electric Actuators
 - Benefits of a Digital Library
 - Creating a Diverse Reading Collection Instrumentation And Control Tutorial 2 Electric Actuators
10. Overcoming Reading Challenges
 - Dealing with Digital Eye Strain
 - Minimizing Distractions
 - Managing Screen Time
11. Cultivating a Reading Routine Instrumentation And Control Tutorial 2 Electric Actuators
 - Setting Reading Goals Instrumentation And Control Tutorial 2 Electric Actuators
 - Carving Out Dedicated Reading Time

12. Sourcing Reliable Information of Instrumentation And Control Tutorial 2 Electric Actuators
 - Fact-Checking eBook Content of Instrumentation And Control Tutorial 2 Electric Actuators
 - Distinguishing Credible Sources
13. Promoting Lifelong Learning
 - Utilizing eBooks for Skill Development
 - Exploring Educational eBooks
14. Embracing eBook Trends
 - Integration of Multimedia Elements
 - Interactive and Gamified eBooks

Instrumentation And Control Tutorial 2 Electric Actuators Introduction

In this digital age, the convenience of accessing information at our fingertips has become a necessity. Whether its research papers, eBooks, or user manuals, PDF files have become the preferred format for sharing and reading documents. However, the cost associated with purchasing PDF files can sometimes be a barrier for many individuals and organizations. Thankfully, there are numerous websites and platforms that allow users to download free PDF files legally. In this article, we will explore some of the best platforms to download free PDFs. One of the most popular platforms to download free PDF files is Project Gutenberg. This online library offers over 60,000 free eBooks that are in the public domain. From classic literature to historical documents, Project Gutenberg provides a wide range of PDF files that can be downloaded and enjoyed on various devices. The website is user-friendly and allows users to search for specific titles or browse through different categories. Another reliable platform for downloading Instrumentation And Control Tutorial 2 Electric Actuators free PDF files is Open Library. With its vast collection of over 1 million eBooks, Open Library has something for every reader. The website offers a seamless experience by providing options to borrow or download PDF files. Users simply need to create a free account to access this treasure trove of knowledge. Open Library also allows users to contribute by uploading and sharing their own PDF files, making it a collaborative platform for book enthusiasts. For those interested in academic resources, there are websites dedicated to providing free PDFs of research papers and scientific articles. One such website is Academia.edu, which allows researchers and scholars to share their work with a global audience. Users can download PDF files of research papers, theses, and dissertations covering a wide range of subjects. Academia.edu also provides a platform for discussions and networking within the academic community. When it comes to downloading Instrumentation And Control Tutorial 2 Electric Actuators free PDF files of magazines, brochures, and catalogs, Issuu is a popular choice. This digital publishing platform hosts a vast collection of publications from around the world. Users can search for specific titles or explore various

categories and genres. Issuu offers a seamless reading experience with its user-friendly interface and allows users to download PDF files for offline reading. Apart from dedicated platforms, search engines also play a crucial role in finding free PDF files. Google, for instance, has an advanced search feature that allows users to filter results by file type. By specifying the file type as "PDF," users can find websites that offer free PDF downloads on a specific topic. While downloading Instrumentation And Control Tutorial 2 Electric Actuators free PDF files is convenient, it's important to note that copyright laws must be respected. Always ensure that the PDF files you download are legally available for free. Many authors and publishers voluntarily provide free PDF versions of their work, but it's essential to be cautious and verify the authenticity of the source before downloading Instrumentation And Control Tutorial 2 Electric Actuators. In conclusion, the internet offers numerous platforms and websites that allow users to download free PDF files legally. Whether it's classic literature, research papers, or magazines, there is something for everyone. The platforms mentioned in this article, such as Project Gutenberg, Open Library, Academia.edu, and Issuu, provide access to a vast collection of PDF files. However, users should always be cautious and verify the legality of the source before downloading Instrumentation And Control Tutorial 2 Electric Actuators any PDF files. With these platforms, the world of PDF downloads is just a click away.

FAQs About Instrumentation And Control Tutorial 2 Electric Actuators Books

1. Where can I buy Instrumentation And Control Tutorial 2 Electric Actuators books? Bookstores: Physical bookstores like Barnes & Noble, Waterstones, and independent local stores. Online Retailers: Amazon, Book Depository, and various online bookstores offer a wide range of books in physical and digital formats.
2. What are the different book formats available? Hardcover: Sturdy and durable, usually more expensive. Paperback: Cheaper, lighter, and more portable than hardcovers. E-books: Digital books available for e-readers like Kindle or software like Apple Books, Kindle, and Google Play Books.
3. How do I choose a Instrumentation And Control Tutorial 2 Electric Actuators book to read? Genres: Consider the genre you enjoy (fiction, non-fiction, mystery, sci-fi, etc.). Recommendations: Ask friends, join book clubs, or explore online reviews and recommendations. Author: If you like a particular author, you might enjoy more of their work.
4. How do I take care of Instrumentation And Control Tutorial 2 Electric Actuators books? Storage: Keep them away from direct sunlight and in a dry environment. Handling: Avoid folding pages, use bookmarks, and handle them with clean hands. Cleaning: Gently dust the covers and pages occasionally.
5. Can I borrow books without buying them? Public Libraries: Local libraries offer a wide range of books for borrowing.

- Book Swaps: Community book exchanges or online platforms where people exchange books.
6. How can I track my reading progress or manage my book collection? Book Tracking Apps: Goodreads, LibraryThing, and Book Catalogue are popular apps for tracking your reading progress and managing book collections. Spreadsheets: You can create your own spreadsheet to track books read, ratings, and other details.
 7. What are Instrumentation And Control Tutorial 2 Electric Actuators audiobooks, and where can I find them? Audiobooks: Audio recordings of books, perfect for listening while commuting or multitasking. Platforms: Audible, LibriVox, and Google Play Books offer a wide selection of audiobooks.
 8. How do I support authors or the book industry? Buy Books: Purchase books from authors or independent bookstores. Reviews: Leave reviews on platforms like Goodreads or Amazon. Promotion: Share your favorite books on social media or recommend them to friends.
 9. Are there book clubs or reading communities I can join? Local Clubs: Check for local book clubs in libraries or community centers. Online Communities: Platforms like Goodreads have virtual book clubs and discussion groups.
 10. Can I read Instrumentation And Control Tutorial 2 Electric Actuators books for free? Public Domain Books: Many classic books are available for free as they're in the public domain. Free E-books: Some websites offer free e-books legally, like Project Gutenberg or Open Library.

Find Instrumentation And Control Tutorial 2 Electric Actuators :

[States 94-1945 fitness routines software America 94-1660 fitness retirement planning ideas United States 94-2091 retirement planning 94-2553 VPN services for beginners for startups 94-2249 VPN services strategies for entrepreneurs 94-1939 passive income ideas tips USA 94-782 crypto trading tips USA 94-310 crypto trading tips United States beginners for small business 94-1787 real estate investing ideas USA entrepreneurs 94-1283 digital marketing examples for small business America 94-637 online privacy review USA 94-2962 online privacy review comparison for entrepreneurs 94-2704 minimalist lifestyle comparison for for small business 94-3000 crypto trading case study for startups blockchain development roadmap USA 94-153 blockchain development roadmap creators 94-2754 chatbot development trends for creators 94-2190 chatbot](#)

examples for startups 94-1783 chatbot development explained for creators

America 94-1587 YouTube growth apps USA 94-872 YouTube growth apps for

organization for beginners USA 94-1801 home organization for beginners

Instrumentation And Control Tutorial 2 Electric Actuators :

le drôle de dico de la musique libro loisirs t 1140 by marc - Sep 23 2021

web le drôle de dico de la musique libro loisirs t 1140 by marc hillman emmanuel savoye le dico du coeur le soir d'inition de chien de la casse dico 2 rue mdico la

le dra le de dico de la musique libro loisirs t john bulwer - May 12 2023

web le dra le de dico de la musique libro loisirs t when somebody should go to the books stores search instigation by shop shelf by shelf it is in reality problematic this is

le drôle de dico de la musique libro loisirs t 1140 by marc - Jul 02 2022

web le drôle de dico de la musique libro loisirs t 1140 by marc hillman emmanuel savoye visage popularisé par le rappeur migos et par la suite repris par de nombreux

le dra le de dico de la musique libro loisirs t john bulwer - Dec 27 2021

web thank you unconditionally much for downloading le dra le de dico de la musique libro loisirs t maybe you have knowledge that people have see numerous times for their

musique 20782 livres babelio - Mar 30 2022

web musique 20777 livres babelio la musique est l art consistant à arranger et à ordonner sons et silences au cours du temps le rythme est le support de cette combinaison dans

le dra le de dico de la musique libro loisirs t pdf uniport edu - Aug 03 2022

web aug 18 2023 its nearly what you compulsion currently this le dra le de dico de la musique libro loisirs t as one of the most functioning sellers here will enormously be

le dra le de dico de la musique libro loisirs t copy - Nov 25 2021

web apr 8 2023 le dra le de dico de la musique libro loisirs t 2 8 downloaded from uniport edu ng on april 8 2023 by guest que d os by jean patrick manchette webos

le dra le de dico de la musique libro loisirs t copy - Feb 09 2023

web beaux opras aux tubes de la chanson française des arcanes du solfège aux dlices des comédies musicales chanteurs chefs d orchestre et musiciens se rpondent dans un mli

le dra le de dico de la musique libro loisirs t book - Mar 10 2023

web le dra le de dico de la musique libro loisirs t no regrets feb 15 2020 edith piaf was one of the most greatly loved singers of the twentieth century from the start of her

le dra le de dico de la musique libro loisirs t pdf pdf - Jan 08 2023

web may 31 2023 le dra le de dico de la musique libro loisirs t pdf as recognized adventure as well as experience very nearly lesson amusement as well as concord can

le drôle de dico de la musique libro loisirs t 1140 by marc - Oct 25 2021

web le drôle de dico de la musique libro loisirs t 1140 by marc hillman emmanuel savoye modos de presentacin de los pacientes en la entrevista un dico de l argot

le dra le de dico de la musique libro loisirs t full pdf - Dec 07 2022

web mar 1 2023 le dra le de dico de la musique libro loisirs t getting the books le dra le de dico de la musique libro loisirs t now is not type of challenging means you

le dra le de dico de la musique libro loisirs t pdf mildred - Apr 11 2023

web kindly say the le dra le de dico de la musique libro loisirs t pdf is universally compatible with any devices to read le nouvel observateur 1979 10 poetics of the

le dra le de dico de la musique libro loisirs t pdf - Oct 05 2022

web apr 5 2023 merely said the le dra le de dico de la musique libro loisirs t is universally compatible in the same way as any devices to read la grammaire c est drôle comment

le dra le de dico de la musique libro loisirs t 2022 reports - Jun 01 2022

web le dra le de dico de la musique libro loisirs t index catalogue of medical and veterinary zoology acta romana ediderunt dr braun et dr elvenich documents and

le dra le de dico de la musique libro loisirs t edward l - Aug 15 2023

web le dra le de dico de la musique libro loisirs t as recognized adventure as competently as experience very nearly lesson amusement as capably as bargain can

le dra le de dico de la musique libro loisirs t colin j - Jul 14 2023

web as this le dra le de dico de la musique libro loisirs t it ends happening mammal one of the favored book le dra le de dico de la musique libro loisirs t collections

dictionnaire de la musique editions larousse - Sep 04 2022

web feb 1 2017 le dictionnaire de la musique rend compte de l histoire musicale des origines à nos jours privilégiant la musique classique occidentale il présente en plus de

le dra le de dico de la musique libro loisirs t pdf - Nov 06 2022

web 4 le dra le de dico de la musique libro loisirs t 2021 03 21 english for one reason or another will benefit from this book as well the pan american magazine metropolitan

le dra le de dico de la musique libro loisirs t uniport edu - Feb 26 2022

web apr 17 2023 le dra le de dico de la musique libro loisirs t 2 4 downloaded from uniport edu ng on april 17 2023 by guest vaccination h bazin 2011 this english

le livre song and lyrics by dj franzo spotify - Jan 28 2022

web dj franzo song 2021

dictionnaire de poche français turc turc français amazon fr - Apr 30 2022

web cet article dictionnaire de poche français turc turc français 1900 vocabulaire français turc pour l autoformation 9000 mots 1780 45 leçons pour parler turc avec

downloadable free pdfs le dra le de dico de la musique - Jun 13 2023

web le dra le de dico de la musique libro loisirs t les rapports de la musique et de la poesie considerees au point de vue de l ex pression sep 15

personales leben und menschlicher tod personale identität als - Jan 07 2023

web personales leben und menschlicher tod personale identität als prinzip der biomedizinischen ethik suhrkamp taschenbuch wissenschaft quante michael

personales leben und menschlicher tod suhrkamp verlag - Apr 10 2023

web mar 26 2002 personales leben und menschlicher tod personale identität als prinzip der biomedizinischen ethik die identität der person ist nicht nur im bereich der

michael quante 2002 personales leben und menschlicher tod - Jun 12 2023

web personales leben und menschlicher tod personale identitt als prinzip der biomedizinischen ethik suhrkamp frankfurt am main 372 s 14 eur isbn

personales leben und menschlicher tod personale identität als - Aug 14 2023

web jul 9 2007 personales leben und menschlicher tod personale identität als prinzip der biomedizinischen ethik by michael quante arto laitinen department of social sciences and philosophy po box 35 mab fi 40014 university of jyvaskylä finland

michael quante 2002 personales leben und menschlicher tod - Jul 13 2023

web may 13 2003 michael quante 2002 personales leben und menschlicher tod personale identität als prinzip der biomedizinischen ethik suhrkamp frankfurt am

personales leben und menschlicher tod personale i copy - Sep 22 2021

web jun 7 2023 personales leben und menschlicher tod personale i 2 8 downloaded from uniport edu ng on june 7 2023 by

quest theories of the self and autonomy in medical

pdf review of personales leben und menschlicher tod - Dec 06 2022

web review of personales leben und menschlicher tod personale identität als prinzip der biomedizinischen ethik by michael quante pdf review of personales leben und

personales leben und menschlicher tod request pdf - Oct 04 2022

web dec 30 2018 personales leben und menschlicher tod personale identit t als prinzip der biomedizinischen ethik b july 2007 european journal of philosophy arto laitinen

tureng personel türkçe İngilizce sözlük - Dec 26 2021

web İngilizce türkçe online sözlük tureng kelime ve terimleri çevir ve farklı aksanlarda sesli dinleme personnel personel retrenchment personel sayısını düşürme ne demek

tureng personal türkçe İngilizce sözlük - Jan 27 2022

web İngilizce türkçe online sözlük tureng kelime ve terimleri çevir ve farklı aksanlarda sesli dinleme personal kişisel personal characteristic kişisel özellik ne demek

tureng personnel türkçe İngilizce sözlük - Nov 24 2021

web İngilizce türkçe online sözlük tureng kelime ve terimleri çevir ve farklı aksanlarda sesli dinleme personnel eleman retired military personnel emekli askeri personel ne demek

arto laitinen personales leben und menschlicher tod - Nov 05 2022

web personales leben und menschlicher tod personale identität als prinzip der biomedizinischen ethik by michael quante book review

tod und personale existenz des menschen request pdf - Mar 29 2022

web oct 10 2019 request pdf on oct 10 2019 michael quante published tod und personale existenz des menschen find read and cite all the research you need on

personales leben und menschlicher tod personale i pdf 2023 - Sep 03 2022

web personales leben und menschlicher tod personale i pdf upload mia h murray 1 15 downloaded from voto uncal edu br on august 18 2023 by mia h murray personales

description personales leben und menschlicher tod ixtheo - May 31 2022

web personales leben und menschlich cite this email this print export record export to ris citavi zotero etc export to endnote export to refworks export to

personales leben und menschlicher tod personale i book - Aug 02 2022

web personales leben und menschlicher tod personale i the philosophy and practice of medicine and bioethics mar 03 2022

this book challenges the unchallenged methods

michael quante personales leben und menschlicher tod - Mar 09 2023

web michael quante 2002 personales leben und menschlicher tod personale identität als prinzip der biomedizinischen ethik suhrkamp frankfurt am main 372 s 14 eur

personales leben und menschlicher tod personale identität als - May 11 2023

web aug 1 2007 read personales leben und menschlicher tod personale identität als prinzip der biomedizinischen ethik by michael quante european journal of philosophy

personal ne demek türkçe anlamı limasollu naci - Feb 25 2022

web personal ne demek türkçe anlamı tu rkc e i ngilizce so zlu kte arama yapmak için ise tıklayabilirsiniz s i şahsa ait şahsi zati özel hususi zata mahsus huk şahsi eşyaya

personales leben und menschlicher tod personale i pdf - Apr 29 2022

web personales leben und menschlicher tod personale i hegel on ethics and politics defeasibility in philosophy the philosophy and practice of medicine and bioethics

personales leben und menschlicher tod google books - Jul 01 2022

web das konzept personaler identiät leidet in gegenwärtigen debatten unter vielfältigen Überforderungen durch einen differenzierten ansatz in dem zwischen menschlicher

pdf personales leben und menschlicher tod personale - Feb 08 2023

web jul 9 2007 pdf on jul 9 2007 arto laitinen published personales leben und menschlicher tod personale identit t als prinzip der biomedizinischen ethik by

personales leben und menschlicher tod personale i pdf - Oct 24 2021

web personales leben und menschlicher tod personale i the philosophy and practice of medicine and bioethics feb 17 2022

this book challenges the unchallenged methods

de la philosophie arabe contemporaine comme champ d étude - Aug 03 2022

web dec 8 2021 les travaux produits dans le champ de la philosophie arabe contemporaine portent un intérêt particulier à un certain nombre de thèmes dominants parmi les plus marquants on peut citer les questions de l autonomie et de l authenticité philosophiques celles de la tradition et de la modernité les problématiques relatives à la

la pensée arabe mohammed arkoun cairn info - Aug 15 2023

web elle est marquée d une riche créativité de renoncements d une renaissance et d un islamisme fondamentaliste de nos jours À travers une approche historico critique l ouvrage situe la place de la pensée arabe dans une histoire générale de la pensée et des cultures dans l espace méditerranéen

la pensée arabe broché mohammed arkoun fnac - Nov 06 2022

web mar 26 2014 alors que l on oppose de plus en plus fréquemment l occident à l islam il situe dans un cadre historico critique la place de la pensée arabe dans une histoire générale de la pensée et des cultures méditerranéennes par delà toutes les grandes ruptures historiques entre les deux rives de la méditerranée

pdf la pensée arabe actuelle by mohamed ourya perlego - Apr 30 2022

web la pensée arabe actuelle entre tradition et modernité mohamed ourya book details table of contents citations about this book l auteur analyse les contributions de quatre penseurs arabes ayant travaillé sur le rapport au turâth tradition et à la modernité abdallah laroui mohamed abed al jabri georges tarabishi et taha abderrahmane

la question de la liberté dans la pensée arabe contemporaine - Jan 08 2023

web mar 2 2019 les travaux présentés dans cet ouvrage mettent l accent sur la notion de liberté dans la pensée arabe contemporaine sujet de préoccupation central depuis la renaissance arabe ou nahda jusqu à nos jours

la pensée arabe par mohammed arkoun iqbal □□□□ - Jun 13 2023

web sep 10 2017 mohammed arkoun 1928 2010 professeur à l université paris iii sorbonne grand spécialiste de l histoire de la pensée islamique est l auteur d une douzaine d ouvrages dans lesquels il concilie pensées arabe et occidentale laïcité et islam philosophie et histoire

book la pensee arabe et loccident noor library - Mar 30 2022

web la pensee arabe et l occident constitue l etude la plus exhaustive du courant moderniste de la pensee politique et sociale du moyen orient arabe en reaction a l influence croissante de l europe a partir du dix neuvieme siecle les penseurs arabo musulmans se preoccupent des causes de l essor europeen ainsi que du retard des societes islamiques

pensee arabe la que sais je by arkoun mohammed - May 12 2023

web elle est marquée d une riche créativité de renoncements d une renaissance et d une tradition À travers une approche historico critique l ouvrage situe la place de la pensée arabe dans une histoire générale de la pensée et

traduction pensée dictionnaire français arabe larousse - Oct 05 2022

web être perdu dans ses pensées □ □□□ □ □ □□ □ □ □□□ □□□ avoir une pensée pour qqn 2 □□ □ □□ □ □ □ opinion □□□□ □ □ □□ exprimer sa pensée □ □□□ □ □ □□

institut du monde arabe la pensée arabe librairie de l institut - Feb 26 2022

web alors que l on oppose de plus en plus fréquemment l occident à l islam il situe dans un cadre historico critique la place de la pensée arabe dans une histoire générale de la pensée et des cultures méditerranéennes par delà toutes les grandes ruptures historiques entre les deux rives de la méditerranée

pratiques de la philosophie en tunisie jstor - Dec 27 2021

web l expérience de l arabi sation fut une mise à l épreuve décisive l enjeu n était pas simplement politique il s agissait de ne pas transformer l objectif louable de développer la pensée philosophique en langue arabe en une stratégie de la déconstruction de l esprit rationnel et en une opposition à l esprit des lumières

la pensée arabe institut d étude des religions et de la laïcité - Apr 11 2023

web résumé la pensée arabe étudie la pensée d expression arabe et ses liens avec le fait coranique et le fait islamique face à l arrogance idéologique et aux ignorances les plus scandaleuses l ouvrage expose à travers cinq chapitres l histoire de la pensée arabe depuis la révélation jusqu à nos jours

mohammed arkoun wikipédia - Jul 02 2022

web modifier modifier le code modifier wikidata mohammed arkoun arabe ⵎⵓⵎⵎⵉⵎ ⵏ ⵏⵓⵏ ⵏ ⵏⵓⵏ ⵏ ⵏⵓⵏ ⵏ ⵏⵓⵏ en kabyle muḥemmed arkun en tifinagh ⵎⵓⵎⵎⵉⵎ ⵏ ⵏⵓⵏ né le 1 er février 1928 à taourirt mimoun dans la commune actuelle de aït yenni wilaya de tizi ouzou algerie mort le 14 septembre 2010 à paris 15 e est un intellectuel historien islamologue et philosophe

l Être et l esprit dans la pensée arabe jstor - Jun 01 2022

web l etre et l esprit dans la pensee arabe disons tout de suite que les relations entre l etre et l esprit ne sont pas envisagees ici du point de vue de la pensee musulmane notre analyse ne touche donc pas au coran ni a son complement de logia

m arkoun la pensée arabe persée - Sep 04 2022

web arkoun vise à présenter au lecteur occidental et sans formation d orientaliste double barrière un aperçu de l univers mental plus ou moins largement ouvert selon les temps et les lieux de l homme arabe musulman

dominique urvoy histoire de la pensée arabe et islamique - Feb 09 2023

web l histoire de la pensée arabe et islamique est avant tout une grande synthèse classique destinée à traverser le temps à l instar de les schismes dans l islam d henri laoust qu elle complète et prolonge pour les questions essentielles

la pensée arabe mohammed arkoun quadrige format - Mar 10 2023

web mar 26 2014 résumé ce projet ne vise pas seulement à révéler les impensés accumulés dans la pensée dite occidentale à l égard notamment de ce qu il a construit sous les noms d islam et de monde arabe il s agit aussi de mesurer les dérives idéologiques inavouées à l égard de cet islam devenu indéchiffrable à

la pensée arabe arkoun mohammed amazon fr livres - Dec 07 2022

web le professeur arkoun kabyle berbérophone s empare de cette langue apportée et portée par l islam et montre que non seulement c est une langue mais aussi une pensée la pensée arabe a préservé et transmis les anciens et elle a approfondi et vécu ces transformations

la pensée arabe arkoun mohammed free download borrow - Jul 14 2023

web la pense e arabe arkoun mohammed free download borrow and streaming internet archive

L avenir de la pensée dans le monde arabo musulma Érudit - Jan 28 2022

web on peut les voir aussi sur internet et sur les réseaux sociaux il ne faut pas oublier que le printemps arabe ou la révolution politique qui a eu lieu a fait un séisme géant dans la conscience de l homme arabe je pense que nous ne verrons les résultats que dans une ou deux décennies