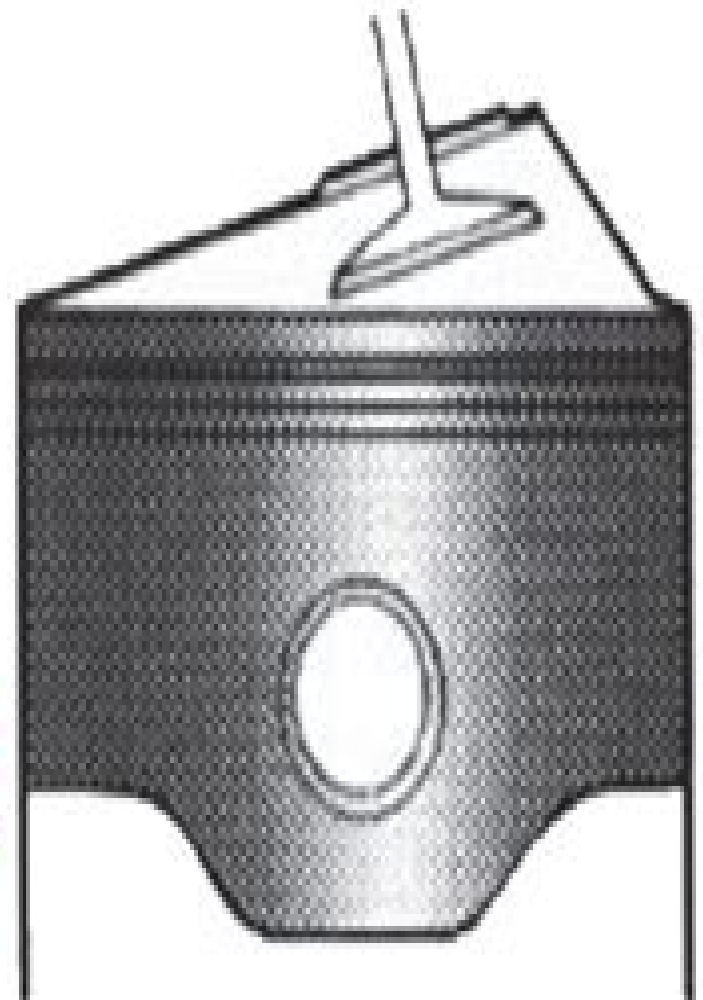


**Interference
Engine**

VS



**Non-Interference
Engine**

Interference Engine List Volkswagen

H Kauffman



Interference Engine List Volkswagen:

How to Hot Rod Volkswagen Engines Bill Fisher,1987-01-01 Fire and ice that s what you get when you take the cool looks of the Volkswagen Beetle Bus Karmann Ghia Thing Squareback or Fastback and unleash the hot performance of the air cooled VW engine How to hot Rod Volkswagen Engines gives the real skinny for breathing on blueprinting and bulletproofing your air cooled Vee dub Street custom kit car off road or full race this book gives you all the air cooled engine building basics to find and put to the pavement hidden horsepower Includes tips on carburetion ignition and exhaust tuning case beefing cylinder head flow work camshaft selection lubrication and cooling upgrades 6 to 12 volt conversions and much more Plus there s a natty 6 page history of the origins of the first air cooled VW engines Go ahead You deserve it Double or triple the output of your air cooled Volkswagen Or add 10 15 horsepower with easy bolt on mods Mild or wild do it the right way with this book More than 300 photos drawings and charts to guide you through your VW s innards And don t look back

Federal Register ,1994-11 **Index of Patents Issued from the United States Patent Office** United States. Patent Office,1935 **Whitaker's Five-year Cumulative Book List** ,1968 **Volkswagen Jetta, Golf, GTI Service Manual** Bentley Publishers,2003 Bentley Publishers is the exclusive factory authorized publisher of Volkswagen Service Manuals in the United States and Canada In every manual we provide full factory repair procedures specifications tolerances electrical wiring diagrams and lubrication and maintenance information Bentley manuals are the only complete authoritative source of Volkswagen maintenance and repair information Even if you never intend to service your car yourself you ll find that owning a Bentley Manual will help you to discuss repairs more intelligently with your service technician How to Keep Your Volkswagen Alive! John Muir,1971 *Index of patents* ,1936 *Aeronautics* St. Louis Public Library. Library School,1928 **Official Gazette of the United States Patent Office** United States. Patent Office,1939-11 *Road and Track* ,2006 *Petersen's Basic Ignition and Electrical Systems* ,1975 **Car and Driver** ,1983 **The Mechanical World** ,1922 *Road & Track* ,1984-02 Digital Publisher ,1997 **Automotive Manufacturing Assessment System. Volume I: Master Product Schedules. Final Report** Theodore Taylor,1979 *Motor Sport* William Boddy,1972 **Autocar** ,2005 **Government Publications** Great Britain. Her Majesty's Stationery Office,1961 **Car Life** ,1962

Fuel your quest for knowledge with Authored by is thought-provoking masterpiece, Dive into the World of **Interference Engine List Volkswagen** . This educational ebook, conveniently sized in PDF (Download in PDF: *), is a gateway to personal growth and intellectual stimulation. Immerse yourself in the enriching content curated to cater to every eager mind. Download now and embark on a learning journey that promises to expand your horizons. .

https://py.bijouxmedusa.com/book/publication/default.aspx/Small_Business_61_1884_Mental_Wellness_Explained_For_Creators_61_990.pdf

Table of Contents Interference Engine List Volkswagen

1. Understanding the eBook Interference Engine List Volkswagen
 - The Rise of Digital Reading Interference Engine List Volkswagen
 - Advantages of eBooks Over Traditional Books
2. Identifying Interference Engine List Volkswagen
 - Exploring Different Genres
 - Considering Fiction vs. Non-Fiction
 - Determining Your Reading Goals
3. Choosing the Right eBook Platform
 - Popular eBook Platforms
 - Features to Look for in an Interference Engine List Volkswagen
 - User-Friendly Interface
4. Exploring eBook Recommendations from Interference Engine List Volkswagen
 - Personalized Recommendations
 - Interference Engine List Volkswagen User Reviews and Ratings
 - Interference Engine List Volkswagen and Bestseller Lists
5. Accessing Interference Engine List Volkswagen Free and Paid eBooks
 - Interference Engine List Volkswagen Public Domain eBooks
 - Interference Engine List Volkswagen eBook Subscription Services

- Interference Engine List Volkswagen Budget-Friendly Options
- 6. Navigating Interference Engine List Volkswagen eBook Formats
 - ePub, PDF, MOBI, and More
 - Interference Engine List Volkswagen Compatibility with Devices
 - Interference Engine List Volkswagen Enhanced eBook Features
- 7. Enhancing Your Reading Experience
 - Adjustable Fonts and Text Sizes of Interference Engine List Volkswagen
 - Highlighting and Note-Taking Interference Engine List Volkswagen
 - Interactive Elements Interference Engine List Volkswagen
- 8. Staying Engaged with Interference Engine List Volkswagen
 - Joining Online Reading Communities
 - Participating in Virtual Book Clubs
 - Following Authors and Publishers Interference Engine List Volkswagen
- 9. Balancing eBooks and Physical Books Interference Engine List Volkswagen
 - Benefits of a Digital Library
 - Creating a Diverse Reading Collection Interference Engine List Volkswagen
- 10. Overcoming Reading Challenges
 - Dealing with Digital Eye Strain
 - Minimizing Distractions
 - Managing Screen Time
- 11. Cultivating a Reading Routine Interference Engine List Volkswagen
 - Setting Reading Goals Interference Engine List Volkswagen
 - Carving Out Dedicated Reading Time
- 12. Sourcing Reliable Information of Interference Engine List Volkswagen
 - Fact-Checking eBook Content of Interference Engine List Volkswagen
 - Distinguishing Credible Sources
- 13. Promoting Lifelong Learning
 - Utilizing eBooks for Skill Development
 - Exploring Educational eBooks
- 14. Embracing eBook Trends

- Integration of Multimedia Elements
- Interactive and Gamified eBooks

Interference Engine List Volkswagen Introduction

In the digital age, access to information has become easier than ever before. The ability to download Interference Engine List Volkswagen has revolutionized the way we consume written content. Whether you are a student looking for course material, an avid reader searching for your next favorite book, or a professional seeking research papers, the option to download Interference Engine List Volkswagen has opened up a world of possibilities. Downloading Interference Engine List Volkswagen provides numerous advantages over physical copies of books and documents. Firstly, it is incredibly convenient. Gone are the days of carrying around heavy textbooks or bulky folders filled with papers. With the click of a button, you can gain immediate access to valuable resources on any device. This convenience allows for efficient studying, researching, and reading on the go. Moreover, the cost-effective nature of downloading Interference Engine List Volkswagen has democratized knowledge. Traditional books and academic journals can be expensive, making it difficult for individuals with limited financial resources to access information. By offering free PDF downloads, publishers and authors are enabling a wider audience to benefit from their work. This inclusivity promotes equal opportunities for learning and personal growth. There are numerous websites and platforms where individuals can download Interference Engine List Volkswagen. These websites range from academic databases offering research papers and journals to online libraries with an expansive collection of books from various genres. Many authors and publishers also upload their work to specific websites, granting readers access to their content without any charge. These platforms not only provide access to existing literature but also serve as an excellent platform for undiscovered authors to share their work with the world. However, it is essential to be cautious while downloading Interference Engine List Volkswagen. Some websites may offer pirated or illegally obtained copies of copyrighted material. Engaging in such activities not only violates copyright laws but also undermines the efforts of authors, publishers, and researchers. To ensure ethical downloading, it is advisable to utilize reputable websites that prioritize the legal distribution of content. When downloading Interference Engine List Volkswagen, users should also consider the potential security risks associated with online platforms. Malicious actors may exploit vulnerabilities in unprotected websites to distribute malware or steal personal information. To protect themselves, individuals should ensure their devices have reliable antivirus software installed and validate the legitimacy of the websites they are downloading from. In conclusion, the ability to download Interference Engine List Volkswagen has transformed the way we access information. With the convenience, cost-effectiveness, and accessibility it offers, free PDF downloads have become a popular choice for students, researchers, and book lovers worldwide. However, it is crucial to engage in ethical downloading practices and

prioritize personal security when utilizing online platforms. By doing so, individuals can make the most of the vast array of free PDF resources available and embark on a journey of continuous learning and intellectual growth.

FAQs About Interference Engine List Volkswagen Books

What is a Interference Engine List Volkswagen PDF? A PDF (Portable Document Format) is a file format developed by Adobe that preserves the layout and formatting of a document, regardless of the software, hardware, or operating system used to view or print it. **How do I create a Interference Engine List Volkswagen PDF?** There are several ways to create a PDF: Use software like Adobe Acrobat, Microsoft Word, or Google Docs, which often have built-in PDF creation tools. Print to PDF: Many applications and operating systems have a "Print to PDF" option that allows you to save a document as a PDF file instead of printing it on paper. Online converters: There are various online tools that can convert different file types to PDF. **How do I edit a Interference Engine List Volkswagen PDF?** Editing a PDF can be done with software like Adobe Acrobat, which allows direct editing of text, images, and other elements within the PDF. Some free tools, like PDFescape or Smallpdf, also offer basic editing capabilities. **How do I convert a Interference Engine List Volkswagen PDF to another file format?** There are multiple ways to convert a PDF to another format: Use online converters like Smallpdf, Zamzar, or Adobe Acrobats export feature to convert PDFs to formats like Word, Excel, JPEG, etc. Software like Adobe Acrobat, Microsoft Word, or other PDF editors may have options to export or save PDFs in different formats. **How do I password-protect a Interference Engine List Volkswagen PDF?** Most PDF editing software allows you to add password protection. In Adobe Acrobat, for instance, you can go to "File" -> "Properties" -> "Security" to set a password to restrict access or editing capabilities. Are there any free alternatives to Adobe Acrobat for working with PDFs? Yes, there are many free alternatives for working with PDFs, such as: LibreOffice: Offers PDF editing features. PDFsam: Allows splitting, merging, and editing PDFs. Foxit Reader: Provides basic PDF viewing and editing capabilities. How do I compress a PDF file? You can use online tools like Smallpdf, ILovePDF, or desktop software like Adobe Acrobat to compress PDF files without significant quality loss. Compression reduces the file size, making it easier to share and download. Can I fill out forms in a PDF file? Yes, most PDF viewers/editors like Adobe Acrobat, Preview (on Mac), or various online tools allow you to fill out forms in PDF files by selecting text fields and entering information. Are there any restrictions when working with PDFs? Some PDFs might have restrictions set by their creator, such as password protection, editing restrictions, or print restrictions. Breaking these restrictions might require specific software or tools, which may or may not be legal depending on the circumstances and local laws.

Find Interference Engine List Volkswagen :

[small business 61-1884 mental wellness explained for creators 61-990](#)
[61-2169 digital marketing checklist America 61-1424 digital marketing](#)
dropshipping business comparison for small business 61-2995 dropshipping
strategies United States 61-45 weight loss tips USA 61-1488 weight loss
[America 61-124 cloud computing tips for creators 61-1828 cloud computing](#)
business 61-1816 AI marketing checklist for creators 61-2145 AI
[business 61-1298 budget travel tutorial for creators 61-2155 budget](#)
[SEO strategy tips United States 61-537 SEO strategy tips for](#)
business 61-2093 blog monetization comparison for startups 61-1377 blog
score improvement trends for creators 61-1328 credit score improvement
[America 61-2688 SEO strategy best practices for creators 61-735 SEO](#)
case study for entrepreneurs 61-1517 productivity hacks checklist for
[for small business 61-1361 VPN services strategies for small business](#)
[step by step for startups 61-444 print on demand strategies United](#)
mobile app ideas blueprint for creators 61-1490 mobile app ideas case

Interference Engine List Volkswagen :

MA-3SPA® Carburetor MA-3SPA® Carburetor - 10-4115-1. \$1,441.61. MA-3SPA® Carburetor - 10 ... Marvel-Schebler® is a registered trademark of Marvel-Schebler Aircraft Carburetors, LLC. MA-3PA® Carburetor MA-3PA® Carburetor - 10-2430-P3. \$1,134.00 · MA-3PA® Carburetor - 10-4233. Starting From: \$1,441.61 · MA-3PA® Carburetor - 10-4978-1. \$1,272.00 · MA-3PA® ... MA-3SPA® Carburetor - 10-4894-1 Weight, N/A. Dimensions, N/A. Engine Mfg Part Number. 633028. Carburetor Part Number. 10-4894-1. Engine Compatibility. O-200 SERIES ... 10-3565-1-H | MA-3SPA Carburetor for Lycoming O-290- ... 10-3565-1-H Marvel -Schebler Air MA-3SPA Carburetor for Lycoming O-290- O/H. Manufacturer: Marvel-Schebler. MFR. Country: Part Number: 10-3565-1-H. Weight ... MA-3SPA® Carburetor - 10-2971 Weight, N/A. Dimensions, N/A. Engine Mfg Part Number. 17584. Carburetor Part Number. 10-2971. Engine Compatibility. 6AL-335 SERIES ... Overhauled MA-3SPA Carburetor, Continental O-200 A/B ... Overhauled Marvel Schebler / Volare(Facet) / Precision Airmotive aircraft carburetors. Factory Overhauled; Fully inspected and flow-tested; Readily available ... McFarlane Aviation Products - 10-4894-1-MC Part Number: 10-4894-1-MC. CORE, Carburetor Assembly, MA-3SPA®, Rebuilt ... Marvel Schebler Aircraft

Carburetors, LLC. Unit of Measure, EACH. Retail Price ... MARVEL SCHEBLER CARBURETOR MA3-SPA P/N 10- ... MARVEL SCHEBLER CARBURETOR MA3-SPA P/N 10-3237 ; GIBSON AVIATION (414) ; Est. delivery. Thu, Dec 21 - Tue, Dec 26. From El Reno, Oklahoma, United States ; Pickup. McFarlane Aviation Products - 10-3346-1-H Part Number: 10-3346-1-H. CARBURETOR ASSEMBLY, MA-3SPA, Overhauled. Eligibility ... Marvel Schebler Aircraft Carburetors, LLC. Unit of Measure, EACH. Retail Price ... 10-4894-1 Marvel Schebler MA3-SPA Carburetor ... 10-4894-1 MA3-SPA Marvel Schebler Carburetor. Previous 1 of 3 Next ; Marvel Schebler MA3-SPA, 10-4894-1, Carburetor, Overhauled. Sold Exchange. 4000 Years of Christmas: A Gift from the Ages it is an excellent publication showing the origins of many Christmas traditions. This includes originally pagan customs that were later Christianized, with the ... 4000 Years of Christmas: A Gift from the Ages A detailed look at the origins of Christmas celebrations ranges from before Jesus's birth and includes Rome's pagan Saturnalia customs, the Druids burning ... 4000 Years of Christmas - Books This modern holiday classic carries the reader around the globe and through the millennia. Beginning 2,000 years before Christ, it explains traditions like ... 4000 Years of Christmas: A Gift from the Ages Following myth and folklore from the Near East, Greece, Rome and northern Europe, 4,000 Years of Christmas tells a story that begins not with a manger in ... 4000 Years of Christmas: A Gift from the Ages - Hardcover A detailed look at the origins of Christmas celebrations ranges from before Jesus's birth and includes Rome's pagan Saturnalia customs, the Druids burning ... 4000 Years of Christmas: A Gift from the Ages by Count, Earl 4000 Years of Christmas: A Gift from the Ages by Count, Earl Pages can have notes/highlighting. Spine may show signs of wear. ~ ThriftBooks: Read More ... 4000 years of Christmas by Earl W Count (1899-?) - 1948 From 4000 years ago, and the country north of Mesopotamia where -- in the worship of the god Marduk, Christmas began; then the Roman Saturnalia; the 4th century ... 4000 Years of Christmas: A Gift from... book by Earl W. Count Following myth and folklore from the Near East, Greece, Rome and northern Europe, 4,000 Years of Christmas tells a story that begins not with a manger in ... 4000 Years of Christmas: A Gift from the Ages (Hardcover ... A detailed look at the origins of Christmas celebrations ranges from before Jesus's birth and includes Rome's pagan Saturnalia customs, the Druids burning of ... 4000 Years of Christmas: A Gift from the Ages - Biblio.com Devoted collectors of rare books will love finding proofs, galleys, and advance review copies of their favorite pieces of literature. Find rare proofs and ... Pixel Craft with Perler Beads: More Than 50 Patterns Inside this book you'll find over 50 super fun design ideas for digital-inspired jewelry, coasters, frames, boxes, toys, and more. You'll learn all the basics ... Pixel Craft with Perler Beads: More Than 50 Super Cool ... Bring pixel art to life with colorful Perler beads: 50+ imaginative design ideas & dozens of fun projects; Create retro-chic wearables, jewelry, and home décor ... Patterns for Hama, Perler, Pyssla, Nabbi, and Melty Beads ... Pixel Craft with Perler Beads: More Than 50 Super Cool Patterns: Patterns for Hama, Perler, Pyssla, Nabbi, and Melty Beads · Paperback · \$9.99. Pixel Craft with Perler Beads: More Than 50 Super Cool ... \$9.99 ... Create retro-chic pixelated wearables, jewelry, and home decor with 50 imaginative design ideas in this book. Perler(R) and

other fusible craft beads ... Pixel Craft with Perler Beads: More Than 50 Super Cool ... Pixel Craft with Perler Beads: More Than 50 Super Cool Patterns: Patterns for Hama, Perler, Pyssla, Nabbi, and Melty Beads ... Up to sixty percent off. Shop now. Pixel Craft with Perler Beads (More Than 50 Super Cool ... This book title, Pixel Craft with Perler Beads (More Than 50 Super Cool Patterns: Patterns for Hama, Perler, Pyssla, Nabbi, and Melty Beads), ISBN: ... Pixel Craft with Perler Beads Inside this book you'll find over 50 super fun design ideas for digital-inspired jewelry, coasters, frames, boxes, toys, and more. You'll learn all the basics ... Pixel Craft with Perler Beads: More Than 50 Super Cool ... Buy the book Pixel Craft with Perler Beads: More Than 50 Super Cool Patterns: Patterns for Hama, Perler, Pyssla, Nabbi, and Melty Beads by choly knight at ... More Than 50 Super Cool Patter... by Choly Knight Pixel Craft with Perler Beads: More Than 50 Super Cool Patter... by Choly Knight ; Quantity. 3 sold. 2 available ; Item Number. 302853967254 ; Format. Paperback / ... Pixel Craft with Perler Beads: More Than 50 Super Cool ... Pixel Craft with Perler Beads: More Than 50 Super Cool Patterns: Patterns for Hama, Perler, Pyssla, Nabbi, and Melty Beads (Paperback). By Choly Knight. \$9.99.