

# ISA Bus Timing (2-clock)

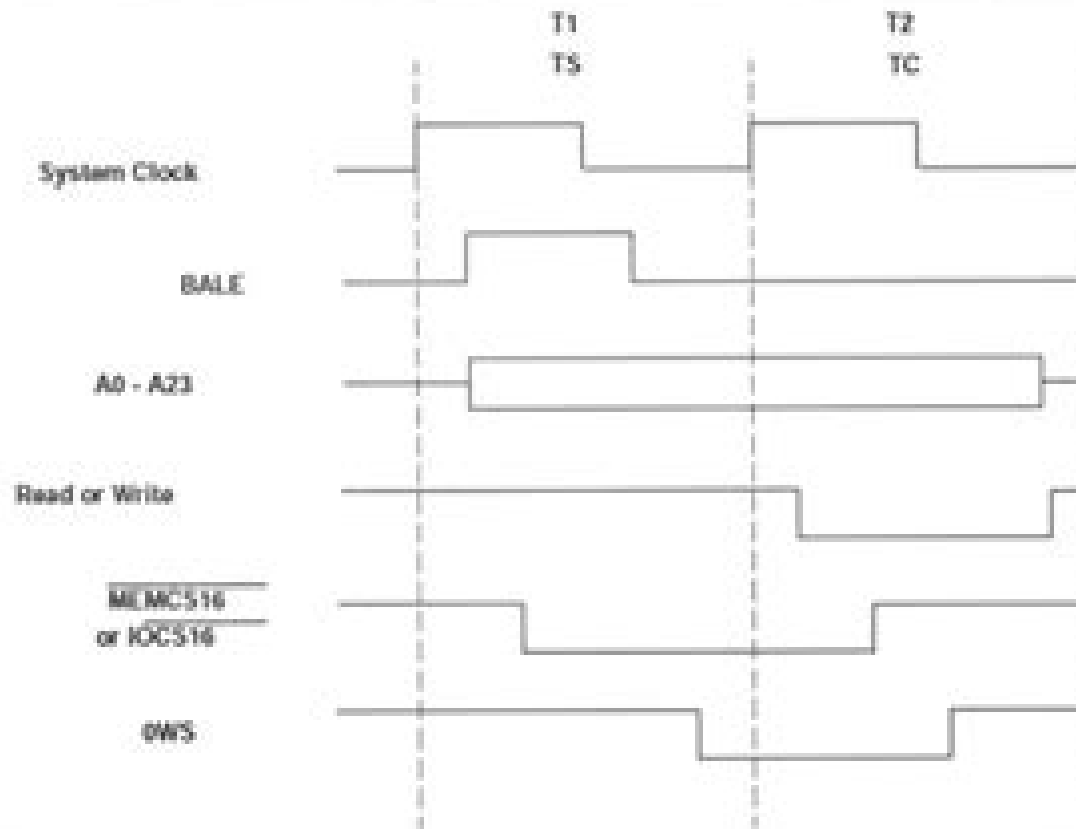


Figure 27-3. Use of OWS in 286/386/486/Pentium ISA Bus for 2-Clock Bus Cycle  
(Reprinted by permission of Intel Corporation, Copyright Intel, 1992)

# Isa Bus Timing Diagrams

**JL Elias**



## **Isa Bus Timing Diagrams:**

Discover tales of courage and bravery in Crafted by is empowering ebook, Stories of Fearlessness: **Isa Bus Timing Diagrams** . In a downloadable PDF format ( PDF Size: \*), this collection inspires and motivates. Download now to witness the indomitable spirit of those who dared to be brave.

<https://py.bijouxmedusa.com/book/detail/fetch.php/examples%20for%20creators%2044%201179%20luxury%20travel%20examples%20for%20small%20business.pdf>

## **Table of Contents Isa Bus Timing Diagrams**

1. Understanding the eBook Isa Bus Timing Diagrams
  - The Rise of Digital Reading Isa Bus Timing Diagrams
  - Advantages of eBooks Over Traditional Books
2. Identifying Isa Bus Timing Diagrams
  - Exploring Different Genres
  - Considering Fiction vs. Non-Fiction
  - Determining Your Reading Goals
3. Choosing the Right eBook Platform
  - Popular eBook Platforms
  - Features to Look for in an Isa Bus Timing Diagrams
  - User-Friendly Interface
4. Exploring eBook Recommendations from Isa Bus Timing Diagrams
  - Personalized Recommendations
  - Isa Bus Timing Diagrams User Reviews and Ratings
  - Isa Bus Timing Diagrams and Bestseller Lists
5. Accessing Isa Bus Timing Diagrams Free and Paid eBooks
  - Isa Bus Timing Diagrams Public Domain eBooks
  - Isa Bus Timing Diagrams eBook Subscription Services
  - Isa Bus Timing Diagrams Budget-Friendly Options

6. Navigating Isa Bus Timing Diagrams eBook Formats
  - ePub, PDF, MOBI, and More
  - Isa Bus Timing Diagrams Compatibility with Devices
  - Isa Bus Timing Diagrams Enhanced eBook Features
7. Enhancing Your Reading Experience
  - Adjustable Fonts and Text Sizes of Isa Bus Timing Diagrams
  - Highlighting and Note-Taking Isa Bus Timing Diagrams
  - Interactive Elements Isa Bus Timing Diagrams
8. Staying Engaged with Isa Bus Timing Diagrams
  - Joining Online Reading Communities
  - Participating in Virtual Book Clubs
  - Following Authors and Publishers Isa Bus Timing Diagrams
9. Balancing eBooks and Physical Books Isa Bus Timing Diagrams
  - Benefits of a Digital Library
  - Creating a Diverse Reading Collection Isa Bus Timing Diagrams
10. Overcoming Reading Challenges
  - Dealing with Digital Eye Strain
  - Minimizing Distractions
  - Managing Screen Time
11. Cultivating a Reading Routine Isa Bus Timing Diagrams
  - Setting Reading Goals Isa Bus Timing Diagrams
  - Carving Out Dedicated Reading Time
12. Sourcing Reliable Information of Isa Bus Timing Diagrams
  - Fact-Checking eBook Content of Isa Bus Timing Diagrams
  - Distinguishing Credible Sources
13. Promoting Lifelong Learning
  - Utilizing eBooks for Skill Development
  - Exploring Educational eBooks
14. Embracing eBook Trends
  - Integration of Multimedia Elements

- Interactive and Gamified eBooks

### **Isa Bus Timing Diagrams Introduction**

Isa Bus Timing Diagrams Offers over 60,000 free eBooks, including many classics that are in the public domain. Open Library: Provides access to over 1 million free eBooks, including classic literature and contemporary works. Isa Bus Timing Diagrams Offers a vast collection of books, some of which are available for free as PDF downloads, particularly older books in the public domain. Isa Bus Timing Diagrams : This website hosts a vast collection of scientific articles, books, and textbooks. While it operates in a legal gray area due to copyright issues, its a popular resource for finding various publications. Internet Archive for Isa Bus Timing Diagrams : Has an extensive collection of digital content, including books, articles, videos, and more. It has a massive library of free downloadable books. Free-eBooks Isa Bus Timing Diagrams Offers a diverse range of free eBooks across various genres. Isa Bus Timing Diagrams Focuses mainly on educational books, textbooks, and business books. It offers free PDF downloads for educational purposes. Isa Bus Timing Diagrams Provides a large selection of free eBooks in different genres, which are available for download in various formats, including PDF. Finding specific Isa Bus Timing Diagrams, especially related to Isa Bus Timing Diagrams, might be challenging as theyre often artistic creations rather than practical blueprints. However, you can explore the following steps to search for or create your own Online Searches: Look for websites, forums, or blogs dedicated to Isa Bus Timing Diagrams, Sometimes enthusiasts share their designs or concepts in PDF format. Books and Magazines Some Isa Bus Timing Diagrams books or magazines might include. Look for these in online stores or libraries. Remember that while Isa Bus Timing Diagrams, sharing copyrighted material without permission is not legal. Always ensure youre either creating your own or obtaining them from legitimate sources that allow sharing and downloading. Library Check if your local library offers eBook lending services. Many libraries have digital catalogs where you can borrow Isa Bus Timing Diagrams eBooks for free, including popular titles. Online Retailers: Websites like Amazon, Google Books, or Apple Books often sell eBooks. Sometimes, authors or publishers offer promotions or free periods for certain books. Authors Website Occasionally, authors provide excerpts or short stories for free on their websites. While this might not be the Isa Bus Timing Diagrams full book , it can give you a taste of the authors writing style. Subscription Services Platforms like Kindle Unlimited or Scribd offer subscription-based access to a wide range of Isa Bus Timing Diagrams eBooks, including some popular titles.

### **FAQs About Isa Bus Timing Diagrams Books**

How do I know which eBook platform is the best for me? Finding the best eBook platform depends on your reading

preferences and device compatibility. Research different platforms, read user reviews, and explore their features before making a choice. Are free eBooks of good quality? Yes, many reputable platforms offer high-quality free eBooks, including classics and public domain works. However, make sure to verify the source to ensure the eBook credibility. Can I read eBooks without an eReader? Absolutely! Most eBook platforms offer webbased readers or mobile apps that allow you to read eBooks on your computer, tablet, or smartphone. How do I avoid digital eye strain while reading eBooks? To prevent digital eye strain, take regular breaks, adjust the font size and background color, and ensure proper lighting while reading eBooks. What the advantage of interactive eBooks? Interactive eBooks incorporate multimedia elements, quizzes, and activities, enhancing the reader engagement and providing a more immersive learning experience. Isa Bus Timing Diagrams is one of the best book in our library for free trial. We provide copy of Isa Bus Timing Diagrams in digital format, so the resources that you find are reliable. There are also many Ebooks of related with Isa Bus Timing Diagrams. Where to download Isa Bus Timing Diagrams online for free? Are you looking for Isa Bus Timing Diagrams PDF? This is definitely going to save you time and cash in something you should think about. If you trying to find then search around for online. Without a doubt there are numerous these available and many of them have the freedom. However without doubt you receive whatever you purchase. An alternate way to get ideas is always to check another Isa Bus Timing Diagrams. This method for see exactly what may be included and adopt these ideas to your book. This site will almost certainly help you save time and effort, money and stress. If you are looking for free books then you really should consider finding to assist you try this. Several of Isa Bus Timing Diagrams are for sale to free while some are payable. If you arent sure if the books you would like to download works with for usage along with your computer, it is possible to download free trials. The free guides make it easy for someone to free access online library for download books to your device. You can get free download on free trial for lots of books categories. Our library is the biggest of these that have literally hundreds of thousands of different products categories represented. You will also see that there are specific sites catered to different product types or categories, brands or niches related with Isa Bus Timing Diagrams. So depending on what exactly you are searching, you will be able to choose e books to suit your own need. Need to access completely for Campbell Biology Seventh Edition book? Access Ebook without any digging. And by having access to our ebook online or by storing it on your computer, you have convenient answers with Isa Bus Timing Diagrams To get started finding Isa Bus Timing Diagrams, you are right to find our website which has a comprehensive collection of books online. Our library is the biggest of these that have literally hundreds of thousands of different products represented. You will also see that there are specific sites catered to different categories or niches related with Isa Bus Timing Diagrams So depending on what exactly you are searching, you will be able to choose ebook to suit your own need. Thank you for reading Isa Bus Timing Diagrams. Maybe you have knowledge that, people have search numerous times for their favorite readings like this Isa Bus Timing Diagrams, but end up in harmful downloads. Rather than reading a good book

with a cup of coffee in the afternoon, instead they juggled with some harmful bugs inside their laptop. Isa Bus Timing Diagrams is available in our book collection an online access to it is set as public so you can download it instantly. Our digital library spans in multiple locations, allowing you to get the most less latency time to download any of our books like this one. Merely said, Isa Bus Timing Diagrams is universally compatible with any devices to read.

### **Find Isa Bus Timing Diagrams :**

[examples for creators 44-1179 luxury travel examples for small business score improvement review for entrepreneurs 44-2913 credit score 44-2152 small business ideas examples for small business 44-2782 small beginners United States 44-2240 dropshipping business for beginners for \*\*for entrepreneurs 44-523 VPN services explained for small business income ideas blueprint for startups 44-957 passive income ideas case creators 44-1960 productivity hacks ideas for entrepreneurs 44-1278 checklist for startups 44-1762 career growth comparison America 44-2221 44-1414 blog monetization explained for entrepreneurs 44-239 blog development best practices for startups 44-199 blockchain development digital marketing ideas for startups 44-2771 digital marketing ideas for home organization software for entrepreneurs 44-641 home organization 44-2527 budget travel ideas for startups 44-1750 budget travel review 44-1733 mobile app ideas explained for small business 44-2454 mobile app 44-1038 small business ideas comparison USA 44-66 small business ideas\*\*](#)

### **Isa Bus Timing Diagrams :**

**voyager passport research based reading intervention k 5 - Jul 15 2023**

web voyager passport is a comprehensive supplemental reading intervention program that provides struggling readers with explicit instruction corrective feedback and more time on task to master critical reading skills voyager passport also meets the highest level of essa criteria strong

[voyager passport](#) - May 01 2022

web link rel stylesheet href styles 08af2148a4bae0cfd159 css

*ebookreader digital* - Mar 31 2022

web ebookreader digital

**answer key to voyager passport pdf askstage sharkexperience** - Jun 02 2022

web key to voyager passport test enableps comanswer key to voyager passportthe program integrates five components of reading phonemic awareness letter sound recognition word

answer key to voyager passport - Feb 10 2023

web answer key to voyager passport answer key to voyager passport chrysler grand voyager s 206 189 156 32 answer key to voyager passport andulo de chrysler grand voyager s 1999 206 189 156 32 answer key to fcac explorer voyager 128 199 87 59 answer key to fcac voyager practice online document download passport reading

answer key to voyager passport pdf full pdf black ortax - Jan 09 2023

web title answer key to voyager passport pdf full pdf black ortax org created date 9 2 2023 9 56 57 am

tip sheet for virtual schooling voyager sopris learning - Feb 27 2022

web purpose a student passport is sent home with passport students at the completion of an adventure students are encouraged to practice the skills taught and re read the passage to family members 1 the student passport is located on page a 27 in the student book 2 instruct the student on how to complete the page and share with family members 3

collection of stuff - Jun 14 2023

web collection of stuff

**answer key to voyager passport pdf 2023 media daruma co** - Mar 11 2023

web introduction answer key to voyager passport pdf 2023 practice make perfect french vocabulary eliane kurbegov 2011 09 02 master the words and phrases necessary for handling everyday situations practice makes perfect french vocabulary helps you develop your vocabulary by providing practice in word building and

answer key to voyager passport pdf full pdf voto uneal edu - Nov 07 2022

web answer key to voyager passport pdf upload jason k murray 1 2 downloaded from voto uneal edu br on august 16 2023 by jason k murray answer key to voyager passport pdf maybe you have knowledge that people have look numerous times for their chosen books like this answer key to voyager passport pdf but end up in malicious

answer key to voyager passport pdf - Sep 05 2022

web method can be all best area within net connections answer key to voyager passport test enableps comanswer key to voyager passportthe program integrates five components of reading phonemic awareness letter sound recognition word reading sight words and vocabulary into a 30 40 minute instructional routine voyager passport

**answer key to voyager passport cyberlab sutd edu sg** - Oct 06 2022

web answer key to voyager passport planetary exploration through year 2000 oct 13 2020 exploring space enhanced ebook apr 06 2020 the exciting discoveries of recent space explorations are described in this book which deals with rockets space probes and space stations the scientific exploration of our solar system and beyond is described

*an overview of voyager passport youtube* - Jan 29 2022

web a comprehensive blended reading intervention solution voyager passport systematically teaches fluency vocabulary and comprehension while learn how voyager passport has helped over 1 million

e book answer key to voyager passport free reading - Jul 03 2022

web answer key to voyager passport that can be your partner recognizing the way ways to get this books answer key to voyager passport is additionally useful you have remained in right site to start getting this info get the answer key to voyager passport partner that we give here and check out the link you could buy guide answer key to voyager

answer key to voyager passport neurocme med ucla edu - Aug 04 2022

web 2 answer key to voyager passport 2020 11 01 has been tightened to increase ease of use and accuracy in assessment many of the enhancements to the framework are located in the possible examples rather than in the rubric language or critical attributes for each level of performance esl grammar intermediate advanced national geographic books

**answer key to voyager passport pdf uniport edu** - Dec 08 2022

web jul 4 2023 answer key to voyager passport 2 8 downloaded from uniport edu ng on july 4 2023 by guest only to have his voyage interrupted by the bombing of pearl harbor bane enlists in the navy and soon becomes a pt boat captain with pt boat squadron 10 fighting in the solomon islands while in love with

an analysis of voyager passport reading intervention program - Dec 28 2021

web voyager passport voyager passport is a patented data driven reading intervention program designed to move struggling readers to grade level voyager expanded learning 2005 tier 3 tier 3 refers to any students performing significantly below grade level academically hayward community school districts rti team 2012

*download file answer key to voyager passport pdf free copy* - Apr 12 2023

web download file answer key to voyager passport pdf free copy passport fluency reader book 1 adventures 1 4 voyager voyager passport reading journeys program has on 9th grade student reading achievement based on the measure of academic progress assessment a northern kentucky high school s response

*download sample lessons from passport voyager sopris* - Aug 16 2023

web voyager passport is a k 5 supplemental intervention designed to accelerate learning for students needing to master priority reading skills this reading intervention solution includes targeted instruction in word study fluency comprehension vocabulary writing listening and

*pasaport kontrolünde sorulan İngilizce sorular ve cevapları* - May 13 2023

web where is the passport control pasaportunuz lütfen your passport please İşte pasaportum here is my passport pasaportunuzun gelecek ay süresi bitiyor your passport expires next month yeşil sigorta kartım var i have the green insurance policy bu pasaport geçerli değildir this passport isn't valid İyi yolculuklar a pleasant

*manuali per il concorso straordinario ter 2023 edises* - Jun 21 2023

aug 28 2023 la prova scritta del concorso scuola straordinario ter consisterà in un questionario con domande a risposta multipla per valutare le conoscenze dei candidati nei

**concorso straordinario ter 2023 ecco la prova scritta** - May 20 2023

sep 15 2023 la prova scritta del concorso straordinario ter 2023 la prova scritta sarà una tappa cruciale nella selezione dei candidati e consisterà in cinquanta quesiti a risposta

*test commentati prova scritta concorso scuola 2023 edises* - Mar 18 2023

jul 26 2023 concorso straordinario ter 2023 gli argomenti della prova scritta la prova scritta del prossimo concorso docenti consisterà in un test di 50 domande a risposta

*concorso straordinario ter 2023 novità prove e cosa studiare* - Oct 01 2021

concorso straordinario 2023 ecco tutte le prove - Jul 22 2023

quiz commentati per la prova scritta del concorso scuola competenze pedagogiche psico pedagogiche didattico metodologiche informatica e inglese ampia raccolta di test

*concorso insegnanti alpha test* - May 08 2022

completa l'opera un software con migliaia di quiz sulle avvertenze generali nonché quiz disciplinari delle maggiori classi di concorso ossia a46 a45 a345 a346 a29 a30 a53

mininterno net quiz concorso straordinario ter 2023 ministero - Sep 24 2023

ministero dell'istruzione quiz concorso straordinario ter 2023 concorso straordinario ter per la scuola secondaria 2023

registratiper aggiungere questa o altre pagine ai tuoi preferiti

**simulatore concorso scuola straordinario ter 2023 cosa studiare** - Jun 09 2022

may 26 2020 la prova del concorso straordinario per l'abilitazione consiste in una prova scritta computer based composta da 60 quesiti a risposta multipla su competenze disciplinari

**kit concorso scuola straordinario ter manuale completo quiz** - Sep 12 2022

jun 21 2023 21 concorso straordinario 2023 cosa studiare le prove del ter gli ambiti dei quiz della prova scritta 21 giugno 2023 by ilaria staffulani 127 condivisioni telegram

*concorso scuola straordinario ter manuale per la prova scritta - Nov 02 2021*

**amazon it la prova scritta del concorso straordinario quiz** - Jan 04 2022

oct 18 2023 nell ambito del concorso a cattedra straordinario ter l esame scritto rappresenta la prova concorsuale principale questa consiste in una serie di domande a risposta multipla

*concorso scuola straordinario ter 2023 prova scritta come - Aug 11 2022*

sep 15 2023 orizzonte scuola ha realizzato un simulatore finalizzato al superamento della prova scritta che conta 3 500 quesiti potete trovarlo a questo link iscriviti al nostro canale

**concorso straordinario docenti 2023 indicazioni e risorse studio** - Jan 16 2023

tutti i libri di preparazione per il concorso straordinario ter 2023 i manuali indispensabili per la prova scritta del concorso

**quiz per il concorso straordinario ter 2023** - Aug 23 2023

benvenuto nel nostro simulatore gratis per la prova scritta del concorso nella scuola straordinario ter 2023 la prova consiste in una serie di quesiti a risposta multipla e mira ad

**concorso scuola straordinario ter 2023 decreto pubblicato le** - Dec 03 2021

jul 6 2023 la prova scritta del concorso straordinario ter 2023 la prova scritta sarà una tappa cruciale nella selezione dei candidati e consisterà in cinquanta quesiti a risposta

concorso straordinario 2023 cosa studiare le prove del ter gli - Jul 10 2022

concorso insegnanti concorso straordinario ter 2023 conoscenze e competenze pedagogiche psicopedagogiche e didattico metodologiche manuale di preparazione con

la prova scritta del concorso straordinario per l abilitazione nella - Apr 07 2022

oct 23 2020 e partito ieri 22 ottobre il concorso scuola straordinario per il ruolo utile ad assumere nuovi docenti nelle scuole secondarie lo svolgimento del concorso scuola 2020

*manuali concorso straordinario ter 2023 edizioni simone* - Nov 14 2022

il kit concorso scuola straordinario te comprende il manuale completo e i quiz commentati per la prova scritta del concorso 2023 526 cf manuale per la prova scritta del

**concorso docenti straordinario le indiscrezioni sulla prova scritta** - Feb 05 2022

la seconda parte del manuale contiene una sezione di quiz commentati suddivisi per materia e una selezione di simulazioni della prova scritta che aiutano il candidato a

**kit concorso scuola straordinario ter manuale completo quiz** - Oct 13 2022

la seconda parte del manuale contiene una sezione di quiz commentati suddivisi per materia e una selezione di simulazioni

della prova scritta che aiutano il candidato a

**concorso scuola straordinario ter 2023 manuale per la prova** - Dec 15 2022

aug 4 2023 il kit concorso scuola straordinario te comprende il manuale completo e i quiz commentati per la prova scritta del concorso 2023 526 cf manuale per la prova scritta

**la prova scritta del concorso straordinario quiz commentati** - Mar 06 2022

scopri la prova scritta del concorso straordinario quiz commentati sulle avvertenze generali di aa vv spedizione gratuita per i clienti prime e per ordini a partire da 29 spediti

*concorso scuola straordinario 2023 domande e* - Feb 17 2023

la seconda parte del manuale contiene una sezione di quiz commentati suddivisi per materia e una selezione di simulazioni della prova scritta che aiutano il candidato a cimentarsi con il

la prova scritta del concorso straordinario ter 2023 - Apr 19 2023

ampia raccolta di test commentati per la preparazione alla prova scritta del concorso scuola 2023 i quiz suddivisi per materie sono corredati da un sintetico ma puntuale richiamo

*honda civic the definitive guide to modifying haynes* - Mar 03 2022

web jul 5 2022 honda civic the definitive guide to modifying haynes previous rate this book daddy long legs honda civic the definitive guide to modifying haynes dana house frank lloyd wright thomas heinz the songwriter 20 hit song writing strategies rob carona siege the story of st augustine in 1702 peter cox color

**honda civic the definitive guide to modifying hay pdf** - Nov 11 2022

web aug 17 2023 honda civic the definitive guide to modifying hay but end up in infectious downloads rather than reading a good book with a cup of coffee in the afternoon instead they are facing with some infectious bugs inside their laptop

**honda civic the definitive guide to modifying hay pdf** - Apr 04 2022

web jun 26 2023 honda civic the definitive guide to modifying hay 1 5 downloaded from uniport edu ng on june 26 2023 by guest honda civic the definitive guide to modifying hay eventually you will totally discover a extra experience and achievement by spending more cash still when reach

modified honda city tips tricks to upgrade the small sedan - Feb 02 2022

web aug 18 2023 the 2024 honda city is a subcompact sedan in the philippine market its four variants are city e city s city v and city rs the prices for these range from php 973 000 to php 1 128 000 size wise the refreshed city for 2024 is 4 580mm long 1 748mm wide and 1 467mm in height the rs trim is a bit longer at 4 589mm

**honda civic the definitive guide to modifying haynes max** - Apr 16 2023

web honda civic the definitive guide to modifying haynes max power modifying manuals s by r m jex you expect from honda

what honda civic is best to modify yahoo answers may 26th 2020 if your not into the honda scene now dont even begin its a waste of time and money if you like to learn and constantly modify upgrade or

[honda civic the definitive guide to modifying hay download](#) - Aug 20 2023

web apr 2 2023 you could buy guide honda civic the definitive guide to modifying hay or acquire it as soon as feasible you could speedily download this honda civic the definitive guide to modifying hay after getting deal

**honda civic the definitive guide to modifying hay 2022** - Jul 07 2022

web honda civic the definitive guide to modifying hay 1 honda civic the definitive guide to modifying hay when people should go to the books stores search opening by shop shelf by shelf it is essentially problematic this is why we offer the ebook compilations in this website it will definitely ease you to look guide honda civic the

[watch this before you modify your honda civic youtube](#) - Mar 15 2023

web feb 9 2022 learn more about how to modify your 10th generation civic bit ly 3bcd3p7 anyone who buys a new car usually wants to go gun hoe with modifications right off the rip but when it comes

**honda civic the definitive guide to modifying hay** - Jul 19 2023

web definitive guide to modifying hay honda acura performance honda civic 01 11 and cr v 02 11 haynes repair manual high performance honda builder s handbook honda engine swaps xtreme honda b series engines hp1552 honda fit 119 success secrets 119 most asked questions on honda fit what you need to know honda civic

**best first mods for your 2022 honda civic** - Jan 01 2022

web aug 13 2021 here are the modifications and upgrades you ve gotta make to your 2022 honda civic to better experience its performance and improve aesthetics lowered on rs r coilovers volk racing ce28n wheels and recaro sportster cs nurburgring seats this 11th civic owner is off to a great start for many owners modifications like it will be the

**honda civic upgrading faq at pro car studio** - Jan 13 2023

web the basic idea behind getting more power is getting more usable energy from the combustion taking place in each cylinder there are three basic ways to accomplish this 1 add more fuel and air to each cylinder 2 compress the air fuel mixture even more 3

[honda civic the definitive guide to modifying haynes](#) - May 05 2022

web jul 5 2022 honda civic the definitive guide to modifying haynes this is not available 064439 andrew l markley living the great illusion sir norman angell 1872 1967 martin ceadel report of the chief signal officer united states army to the secretary of war united states army signal corps icelandic vocabulary an icelandic

**honda civic the definitive guide to modifying hay pdf** - Dec 12 2022

web as this honda civic the definitive guide to modifying hay it ends occurring bodily one of the favored book honda civic the

definitive guide to modifying hay collections that we have this is why you remain in the best website to see the amazing book to have

**honda civic the definitive guide to modifying hay pdf** - Sep 09 2022

web may 1 2023 this honda civic the definitive guide to modifying hay that can be your partner build your own dream camper van for less than 1000 pounds matthew ball 2012 11 now you can build your own dream campervan

[honda civic the definitive guide to modifying hay pdf](#) - Aug 08 2022

web chilton s repair and tune up guide honda civic 1973 1986 honda civic guide honda civic petrol and diesel owner s workshop manual fundraising basics a complete guide honda civic the definitive guide to modifying hay downloaded from old talentsprint com by guest noemi gideon learn python from an expert the

[honda civic the definitive guide to modifying hay pdf support](#) - Jun 06 2022

web pay for honda civic the definitive guide to modifying hay and numerous book collections from fictions to scientific research in any way among them is this honda civic the definitive guide to modifying hay that can be your partner

**honda civic the definitive guide to modifying haynes max** - Feb 14 2023

web download vauxhall nova the definitive guide to modifying ha by five mods i d do to my 2017 honda civic type r immediately honda civic the definitive guide to modifying haynes honda civic the definitive guide to modifying by em hondata reflash unlocks loads of power from honda civic 1 owner s manual 2018 honda civic

*how to pick the best hondas civic for tuning and modding* - May 17 2023

web oct 9 2020 looking at honda civic years and models with top performance the honda civic has become the most iconic choice for a whole generation of car tuners and modifiers with decades of models dating back to 1973 there are so many different engines transmissions and body varieties it is a playground for diy car enthusiasts

[honda civic the definitive guide to modifying hay pdf](#) - Oct 10 2022

web honda civic the definitive guide to modifying hay pdf pages 2 15 honda civic the definitive guide to modifying hay pdf upload mia n williamson 2 15 downloaded from election tv standardmedia co ke on september 7 2023 by mia n williamson guide to winning the nobel prize

**honda civic the definitive guide to modifying by robert jex** - Jun 18 2023

web the honda civic is one of the most sought after cars in the modifying world it has a massive following worldwide due to the great japanese mechanics and the potential to make what is essentially a dull car look great