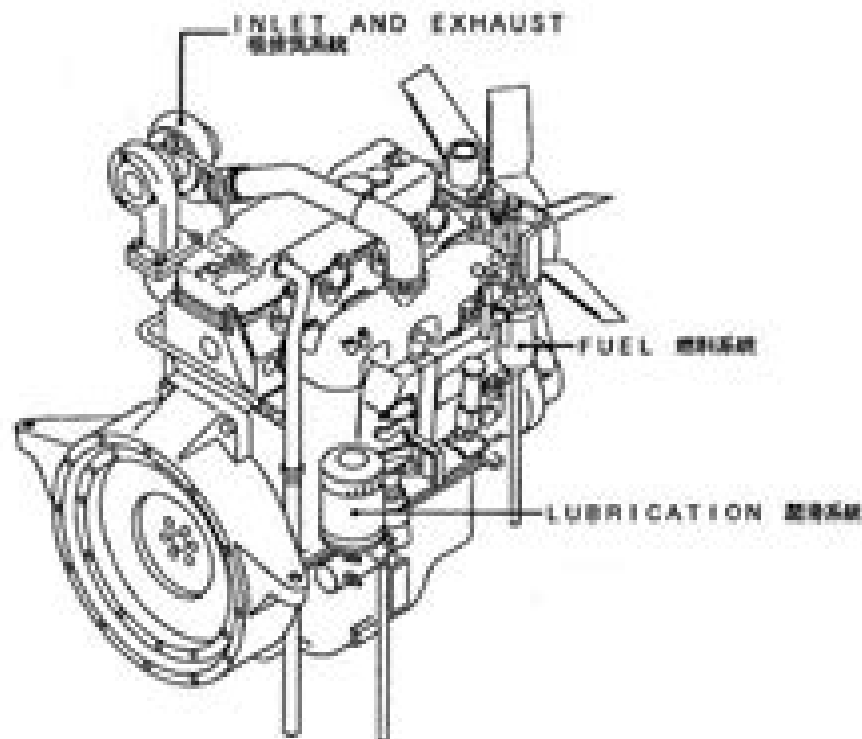
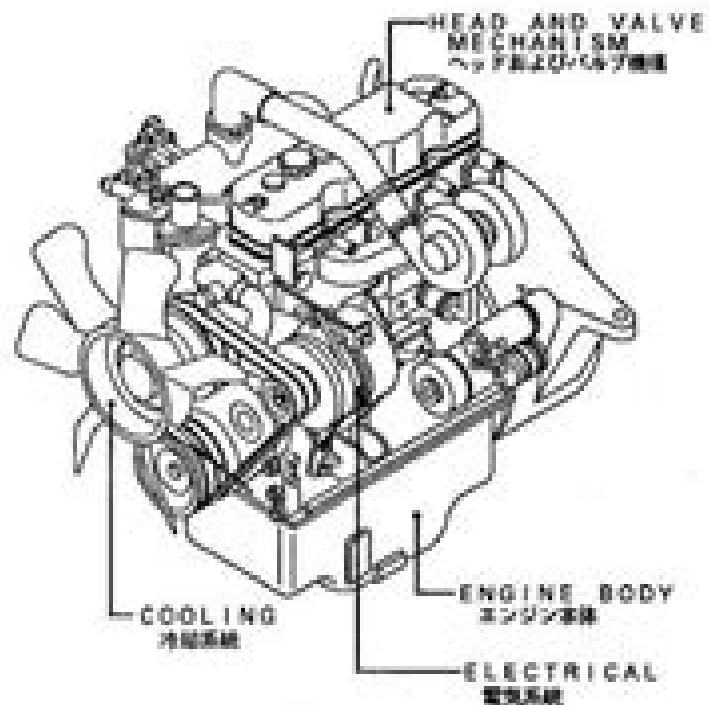


# B-6 GENERAL INDEX 總索引



グループ GROUP	ロケーション LOCATION
ENGINE BODY エンジン本体	.....C-2
HEAD AND VALVE MECHANISM ヘッドバルブ機構	.....D-2
INLET AND EXHAUST 吸排気系統	.....E-2
LUBRICATION 潤滑系統	.....F-2
COOLING 冷却系統	.....G-2
FUEL 燃料系統	.....H-2
ELECTRICAL 電気系統	.....I-2

# Isuzu Diesel Engine Parts Manual

**Huangqi Zhang**



## **Isuzu Diesel Engine Parts Manual:**

Immerse yourself in heartwarming tales of love and emotion with Explore Love with its touching creation, Experience Love's Journey in **Isuzu Diesel Engine Parts Manual** . This emotionally charged ebook, available for download in a PDF format (\*), is a celebration of love in all its forms. Download now and let the warmth of these stories envelop your heart.

[https://py.bijouxmedusa.com/About/Resources/default.aspx/Cybersecurity\\_Strategies\\_For\\_Entrepreneurs\\_26\\_2473\\_Cybersecurity.pdf](https://py.bijouxmedusa.com/About/Resources/default.aspx/Cybersecurity_Strategies_For_Entrepreneurs_26_2473_Cybersecurity.pdf)

## **Table of Contents Isuzu Diesel Engine Parts Manual**

1. Understanding the eBook Isuzu Diesel Engine Parts Manual
  - The Rise of Digital Reading Isuzu Diesel Engine Parts Manual
  - Advantages of eBooks Over Traditional Books
2. Identifying Isuzu Diesel Engine Parts Manual
  - Exploring Different Genres
  - Considering Fiction vs. Non-Fiction
  - Determining Your Reading Goals
3. Choosing the Right eBook Platform
  - Popular eBook Platforms
  - Features to Look for in an Isuzu Diesel Engine Parts Manual
  - User-Friendly Interface
4. Exploring eBook Recommendations from Isuzu Diesel Engine Parts Manual
  - Personalized Recommendations
  - Isuzu Diesel Engine Parts Manual User Reviews and Ratings
  - Isuzu Diesel Engine Parts Manual and Bestseller Lists
5. Accessing Isuzu Diesel Engine Parts Manual Free and Paid eBooks
  - Isuzu Diesel Engine Parts Manual Public Domain eBooks
  - Isuzu Diesel Engine Parts Manual eBook Subscription Services
  - Isuzu Diesel Engine Parts Manual Budget-Friendly Options

6. Navigating Isuzu Diesel Engine Parts Manual eBook Formats
  - ePub, PDF, MOBI, and More
  - Isuzu Diesel Engine Parts Manual Compatibility with Devices
  - Isuzu Diesel Engine Parts Manual Enhanced eBook Features
7. Enhancing Your Reading Experience
  - Adjustable Fonts and Text Sizes of Isuzu Diesel Engine Parts Manual
  - Highlighting and Note-Taking Isuzu Diesel Engine Parts Manual
  - Interactive Elements Isuzu Diesel Engine Parts Manual
8. Staying Engaged with Isuzu Diesel Engine Parts Manual
  - Joining Online Reading Communities
  - Participating in Virtual Book Clubs
  - Following Authors and Publishers Isuzu Diesel Engine Parts Manual
9. Balancing eBooks and Physical Books Isuzu Diesel Engine Parts Manual
  - Benefits of a Digital Library
  - Creating a Diverse Reading Collection Isuzu Diesel Engine Parts Manual
10. Overcoming Reading Challenges
  - Dealing with Digital Eye Strain
  - Minimizing Distractions
  - Managing Screen Time
11. Cultivating a Reading Routine Isuzu Diesel Engine Parts Manual
  - Setting Reading Goals Isuzu Diesel Engine Parts Manual
  - Carving Out Dedicated Reading Time
12. Sourcing Reliable Information of Isuzu Diesel Engine Parts Manual
  - Fact-Checking eBook Content of Isuzu Diesel Engine Parts Manual
  - Distinguishing Credible Sources
13. Promoting Lifelong Learning
  - Utilizing eBooks for Skill Development
  - Exploring Educational eBooks
14. Embracing eBook Trends
  - Integration of Multimedia Elements

- Interactive and Gamified eBooks

### **Isuzu Diesel Engine Parts Manual Introduction**

Free PDF Books and Manuals for Download: Unlocking Knowledge at Your Fingertips In today's fast-paced digital age, obtaining valuable knowledge has become easier than ever. Thanks to the internet, a vast array of books and manuals are now available for free download in PDF format. Whether you are a student, professional, or simply an avid reader, this treasure trove of downloadable resources offers a wealth of information, conveniently accessible anytime, anywhere. The advent of online libraries and platforms dedicated to sharing knowledge has revolutionized the way we consume information. No longer confined to physical libraries or bookstores, readers can now access an extensive collection of digital books and manuals with just a few clicks. These resources, available in PDF, Microsoft Word, and PowerPoint formats, cater to a wide range of interests, including literature, technology, science, history, and much more. One notable platform where you can explore and download free Isuzu Diesel Engine Parts Manual PDF books and manuals is the internet's largest free library. Hosted online, this catalog compiles a vast assortment of documents, making it a veritable goldmine of knowledge. With its easy-to-use website interface and customizable PDF generator, this platform offers a user-friendly experience, allowing individuals to effortlessly navigate and access the information they seek. The availability of free PDF books and manuals on this platform demonstrates its commitment to democratizing education and empowering individuals with the tools needed to succeed in their chosen fields. It allows anyone, regardless of their background or financial limitations, to expand their horizons and gain insights from experts in various disciplines. One of the most significant advantages of downloading PDF books and manuals lies in their portability. Unlike physical copies, digital books can be stored and carried on a single device, such as a tablet or smartphone, saving valuable space and weight. This convenience makes it possible for readers to have their entire library at their fingertips, whether they are commuting, traveling, or simply enjoying a lazy afternoon at home. Additionally, digital files are easily searchable, enabling readers to locate specific information within seconds. With a few keystrokes, users can search for keywords, topics, or phrases, making research and finding relevant information a breeze. This efficiency saves time and effort, streamlining the learning process and allowing individuals to focus on extracting the information they need. Furthermore, the availability of free PDF books and manuals fosters a culture of continuous learning. By removing financial barriers, more people can access educational resources and pursue lifelong learning, contributing to personal growth and professional development. This democratization of knowledge promotes intellectual curiosity and empowers individuals to become lifelong learners, promoting progress and innovation in various fields. It is worth noting that while accessing free Isuzu Diesel Engine Parts Manual PDF books and manuals is convenient and cost-effective, it is vital to respect copyright laws and intellectual property rights. Platforms offering free downloads often operate within legal

boundaries, ensuring that the materials they provide are either in the public domain or authorized for distribution. By adhering to copyright laws, users can enjoy the benefits of free access to knowledge while supporting the authors and publishers who make these resources available. In conclusion, the availability of Isuzu Diesel Engine Parts Manual free PDF books and manuals for download has revolutionized the way we access and consume knowledge. With just a few clicks, individuals can explore a vast collection of resources across different disciplines, all free of charge. This accessibility empowers individuals to become lifelong learners, contributing to personal growth, professional development, and the advancement of society as a whole. So why not unlock a world of knowledge today? Start exploring the vast sea of free PDF books and manuals waiting to be discovered right at your fingertips.

### **FAQs About Isuzu Diesel Engine Parts Manual Books**

How do I know which eBook platform is the best for me? Finding the best eBook platform depends on your reading preferences and device compatibility. Research different platforms, read user reviews, and explore their features before making a choice. Are free eBooks of good quality? Yes, many reputable platforms offer high-quality free eBooks, including classics and public domain works. However, make sure to verify the source to ensure the eBook credibility. Can I read eBooks without an eReader? Absolutely! Most eBook platforms offer webbased readers or mobile apps that allow you to read eBooks on your computer, tablet, or smartphone. How do I avoid digital eye strain while reading eBooks? To prevent digital eye strain, take regular breaks, adjust the font size and background color, and ensure proper lighting while reading eBooks. What the advantage of interactive eBooks? Interactive eBooks incorporate multimedia elements, quizzes, and activities, enhancing the reader engagement and providing a more immersive learning experience. Isuzu Diesel Engine Parts Manual is one of the best book in our library for free trial. We provide copy of Isuzu Diesel Engine Parts Manual in digital format, so the resources that you find are reliable. There are also many Ebooks of related with Isuzu Diesel Engine Parts Manual. Where to download Isuzu Diesel Engine Parts Manual online for free? Are you looking for Isuzu Diesel Engine Parts Manual PDF? This is definitely going to save you time and cash in something you should think about. If you trying to find then search around for online. Without a doubt there are numerous these available and many of them have the freedom. However without doubt you receive whatever you purchase. An alternate way to get ideas is always to check another Isuzu Diesel Engine Parts Manual. This method for see exactly what may be included and adopt these ideas to your book. This site will almost certainly help you save time and effort, money and stress. If you are looking for free books then you really should consider finding to assist you try this. Several of Isuzu Diesel Engine Parts Manual are for sale to free while some are payable. If you arent sure if the books you would like to download works with for usage along with your computer, it is possible to download free trials. The

free guides make it easy for someone to free access online library for download books to your device. You can get free download on free trial for lots of books categories. Our library is the biggest of these that have literally hundreds of thousands of different products categories represented. You will also see that there are specific sites catered to different product types or categories, brands or niches related with Isuzu Diesel Engine Parts Manual. So depending on what exactly you are searching, you will be able to choose e books to suit your own need. Need to access completely for Campbell Biology Seventh Edition book? Access Ebook without any digging. And by having access to our ebook online or by storing it on your computer, you have convenient answers with Isuzu Diesel Engine Parts Manual To get started finding Isuzu Diesel Engine Parts Manual, you are right to find our website which has a comprehensive collection of books online. Our library is the biggest of these that have literally hundreds of thousands of different products represented. You will also see that there are specific sites catered to different categories or niches related with Isuzu Diesel Engine Parts Manual So depending on what exactly you are searching, you will be able to choose ebook to suit your own need. Thank you for reading Isuzu Diesel Engine Parts Manual. Maybe you have knowledge that, people have search numerous times for their favorite readings like this Isuzu Diesel Engine Parts Manual, but end up in harmful downloads. Rather than reading a good book with a cup of coffee in the afternoon, instead they juggled with some harmful bugs inside their laptop. Isuzu Diesel Engine Parts Manual is available in our book collection an online access to it is set as public so you can download it instantly. Our digital library spans in multiple locations, allowing you to get the most less latency time to download any of our books like this one. Merely said, Isuzu Diesel Engine Parts Manual is universally compatible with any devices to read.

### **Find Isuzu Diesel Engine Parts Manual :**

*cybersecurity strategies for entrepreneurs 26-2473 cybersecurity  
online best practices for small business 26-2904 freelancing online  
review United States 26-1092 business automation review for  
funding step by step United States 26-2136 startup funding strategies  
**tips best practices America 26-356 parenting tips best practices USA  
software United States 26-1834 remote jobs software for entrepreneurs  
step USA 26-1614 real estate investing step by step for startups 26-2204  
personal finance tips America 26-2270 personal finance tips for small  
26-302 business automation roadmap for small business 26-1394 business  
crypto trading step by step for creators 26-692 crypto trading step by  
machine learning basics trends America 26-1255 machine learning basics***

**cloud computing ideas United States 26-1297 cloud computing ideas for growth tools America 26-370 Instagram growth tools United States 26-2105 careers comparison for small business 26-2151 data science careers hacks explained for entrepreneurs 26-885 productivity hacks for**

**Isuzu Diesel Engine Parts Manual :**

*free payroll templates business org* - Jul 27 2022

web mar 7 2023 smartsheet offers several customizable free payroll templates including an all in one payroll calculator and registrar you can also use smartsheet to find professional payroll summary report templates and payroll ledger templates you can also print or export payroll templates as pdfs smartsheet starts with a 30 day free trial but to

**payroll calculator free employee payroll template for excel** - Apr 23 2022

web dec 28 2022 this payroll template contains several worksheets each of which are intended for performing the specific function the first worksheet is the employee register intended for storing detailed information about each of your employees the payroll calculator worksheet helps you with calculating the employee payroll based upon

10 best hr payroll templates in excel by exceldatapro - Jul 07 2023

web jan 7 2018 payroll template with attendance payroll excel template with attendance is a fully automated template in excel openoffice calc and google sheets to manage the complete payroll

**free excel payroll template easy to use ready in minutes** - Aug 28 2022

web the free payroll template excel has inputs as well for salary increases year on year so you can rest assured that your analysis will be accurate and reflective free payroll template excel how to get data analysis in excel a step by step guide oct 2 2023 return on invested capital after taxes metric explained oct 2 2023

**10 free payroll templates in excel and clickup** - Aug 08 2023

web sep 19 2023 9 excel timesheet for payroll template via microsoft 365 timesheet templates are a great way to keep track of the amount of time an employee spends performing duties for the job the excel timesheet for payroll template from microsoft 365 is a simple to use worksheet designed for use in microsoft excel

*free payroll templates tips what to include fit small* - Feb 02 2023

web dec 17 2021 free payroll templates created through spreadsheet programs like microsoft excel and google sheets can help you save time especially if the templates use formulas to automate calculations a payroll expense analysis template is good for any company that s undergone at least a month of payroll expenses it provides key metrics

**8 metrics and kpis you need to track in your payroll metrics** - Jun 25 2022

web sep 7 2022 here s an example of a possible payroll metrics dashboard in a databox template the harvest time report dashboard tracks metrics related to billable and non billable hours in a single visualization top kpis and

**download salary sheet excel template exceldatapro** - May 25 2022

web salary sheet is a ready to use template in excel google sheets openoffice calc and apple numbers that helps you easily calculate the salary

payroll template excel payroll template free payroll templates - Feb 19 2022

web the excel payroll template includes everything you will need to successfully track the payroll of all your employees free payroll templates include a comprehensive list of headings and sections to help you successfully manage your payroll the payroll template gives you the ability to make a headcount summary

**payroll templates microsoft create** - Sep 09 2023

web create from scratch make payday go more smoothly with easy to use payroll templates getting people paid on time is a big job but you re more than up to the task with the help of these payroll templates these excel templates can be adjusted to reflect hourly rates and overtime salaries taxes and withholdings that apply to your business

free payroll template 2023 forbes advisor - Apr 04 2023

web jan 23 2023 format payroll templates come in a variety of formats such as microsoft excel and word google sheets and pdf opt for the format that you and your team are most comfortable with

15 free payroll templates smartsheet - Oct 10 2023

web jul 18 2017 managing work budget accounting 15 free payroll templates get free smartsheet templates by andy marker july 18 2017 small business owners and managers have a few options when it comes to managing payroll

**how to create payroll in excel step by step free template** - Mar 23 2022

web jul 5 2023 step 1 open a new excel spreadsheet the first step in making payroll in excel is to open a new excel sheet for this go to the search box at the bottom left end of the windows desktop screen type excel click the excel icon to open a new blank excel spreadsheet

*payroll template free employee payroll template for excel* - May 05 2023

web apr 11 2022 employee payroll template download a free employee payroll register spreadsheet for excel updated 4 11 2022 as a new employer i set out to create a payroll calculator but in the process learned that there were too many laws and regulations associated with payroll to risk using a spreadsheet for calculating payroll

**40 free payroll report templates excel word**  **templatelab** - Jun 06 2023

web business finance payroll report templates 40 free payroll report templates excel word a payroll report is an important document in the running of a company it provides crucial information about its human resource which can be used to keep

labor costs in check auditors use payroll reports when performing audits or preparing tax reports

*payroll analysis payroll calculation template* - Oct 30 2022

web download related templates payroll planning template sample payroll register price modelling and break even analysis model present value analysis calculator payroll calculator use this payroll analysis template to accurately calculate payroll costs it s a great tool to keep payroll costs efficient and on track

**how to do payroll in excel 7 simple steps plus step by step** - Mar 03 2023

web feb 2 2023 figuring out how to do payroll using an excel template can take some time first you need to take a look at the template and evaluate your business needs a standardized template should have tabs for each month with links to formulas that calculate employee taxes deductions and pay

**40 free payroll templates calculators** [templatelab](#) - Sep 28 2022

web apr 8 2018 types of payroll templates before you make an excel payroll template you need to know what template to make there are different types of templates you can make for your business no matter what type you choose it should help you organize your payroll system you need this so you can give wages to employees on time

*6 best microsoft excel templates for payroll management guiding tech* - Nov 30 2022

web jun 13 2020 1 employee payroll calculator this one comes from the house of microsoft the payroll management template spreads across three worksheets there is one each for employee wage and taxes

**free payroll templates clockify** - Jan 01 2023

web 14 free payroll templates you can use to manage payroll from calculating payroll to keeping track of your budget these customizable templates are designed to help you streamline your company s payroll process get templates why

*pandora death in the family my struggle 1 karl ove* - Mar 01 2022

web death in the family my struggle 1 karl ove knausgaard vintage uk 9780099555162 kitap

*death in the family my struggle book 1 ses cd si* - Jun 04 2022

web death in the family my struggle book 1 knausgaard karl ove amazon com tr kitap

*min kamp 1 min kamp 1 by karl ove knausgård goodreads* - Aug 18 2023

web jan 1 2009 42 676 ratings4 375 reviews romanen åpner med en svimlende beskrivelse av døden derfra fortelles det om forfatteren karl ove knausgårds kamp for å mestre livet og seg selv og sine egne ambisjoner på skringens vegne i møte med de menneskene han har rundt seg min kamp

*my struggle knausgård novels wikipedia* - Sep 07 2022

web my struggle norwegian min kamp is a series of six autobiographical novels written by karl ove knausgård and published between 2009 and 2011 the books cover his private life and thoughts and unleashed a media frenzy upon their release with

journalists attempting to track down the mentioned members of his family

**a death in the family my struggle book 1 karl ove knausgaard** - Apr 14 2023

web mar 1 2012 a death in the family my struggle book 1 karl ove knausgaard random house mar 1 2012 fiction 496 pages

one of the guardian s 100 best books of the 21st century an addictive and

*a death in the family the my struggle series book 1 by karl* - Apr 02 2022

web mar 18 2013 about the author karl ove knausgaard s first novel out of the world was the first ever debut novel to win the norwegian critics prize his second novel a time to every purpose under heaven was widely acclaimed a death in the family the first instalment in the epic my struggle cycle was awarded the prestigious brage award and

**a death in the family my struggle book 1 kindle edition** - May 15 2023

web mar 1 2012 karl ove knausgård a death in the family my struggle book 1 kindle edition by karl ove knausgaard author don bartlett translator format kindle edition 1 181 ratings book 1 of 6 my struggle kindle 9 99 read with our free app audiobook 0 00 free with your audible trial

*death in the family a my struggle book 1* - Mar 13 2023

web amazon in buy death in the family a my struggle book 1 book online at best prices in india on amazon in read death in the family a my struggle book 1 book reviews author details and more at amazon in free delivery on qualified orders

**a death in the family penguin books uk** - Jan 11 2023

web karl ove knausgaard s my struggle cycle has been heralded as a masterpiece all over the world from a death in the family to the end the novels move through childhood into adulthood and together form an enthralling portrait of human life knausgaard has been awarded the norwegian critics prize for literature the brage prize and the

*a death in the family my struggle book 1 kağıt kapak* - Nov 09 2022

web a death in the family my struggle book 1 knausgaard karl ove bartlett don amazon com tr kitap

[amazon com my struggle book 1 a death in the family audible](#) - Aug 06 2022

web audio cd 19 46 2 new from 19 46 karl ove knausgaard writes about his childhood and teenage years his infatuation with rock music his relationship with his loving yet almost invisible mother and his distant and unpredictable father and his bewilderment and grief on his father s death

**karl ove knausgaard my struggle book one a death in the family** - Jul 17 2023

web jun 23 2021 book one of the series a death in the family has two parts the first begins with a small essay on how modern society conspires to conceal death from our awareness before flashing back to the author s childhood experience of seeing a face emerge from the sea on a tv news report about a sunken fishing boat and its drowned

*a death in the family my struggle book 1 hive co uk* - Feb 12 2023

web a death in the family my struggle book 1 one of the guardian s 100 best books of the 21st century an addictive and searingly honest novel about childhood family and grief karl ove knausgaard s dazzling new novel the morning

**a death in the family my struggle part 1 my struggle book 1 my** - Jul 05 2022

web a death in the family my struggle part 1 my struggle book 1 my struggle 1 beim zvb com isbn 10 0099555166 isbn 13 9780099555162 random h 2013 softcover

[a death in the family my struggle book 1 my struggle 1](#) - May 03 2022

web a death in the family my struggle book 1 my struggle 1 paperback 7 mar 2013 english edition by karl ove knausgaard autor don bartlett Übersetzer

[a death in the family my struggle book 1 kindle edition](#) - Oct 08 2022

web a death in the family the first of the my struggle cycle of novels was awarded the prestigious brage award the my struggle cycle has been heralded as a masterpiece wherever it appears

**a death in the family my struggle book 1 hardcover** - Dec 10 2022

web in this utterly remarkable novel karl ove knausgaard writes with painful honesty about his childhood and teenage years his infatuation with rock music his relationship with his loving yet almost invisible mother and his distant and unpredictable father and his bewilderment and grief on his father s death

*a death in the family my struggle 1 karl ove knausgaard* - Jun 16 2023

web a death in the family my struggle 1 karl ove knausgaard kitabı en iyi fiyatla burada tıkla a death in the family my struggle 1 karl ove knausgaard eserini hızlı ve kolay bir şekilde satın al

[a death in the family my struggle book 1 my struggle 1](#) - Sep 19 2023

web buy a death in the family my struggle book 1 my struggle 1 1 by knausgaard karl ove bartlett don isbn 9780099555162 from amazon s book store everyday low prices and free delivery on eligible orders

**a death in the family my struggle book 1 paperback** - Jan 31 2022

web the two parts between them cover events early in the life of karl ove including his attempt to get to a new year s party and get drunk as a teenager his first encounters with girls and in the second part his life as a writer in sweden with his heavily pregnant wife and his intention to write a new kind of book and then most memorably the

**therapie tools aggressives und expansives verhalt** - Jul 09 2022

die meisten ansätze zur aggressionstherapie und zum anti aggressionstraining bauen auf pädagogische konzepte zur verhaltensänderung und einsicht der problematik in gruppen

*therapie tools aggressives und expansives verhalten im* - Jun 08 2022

therapie tools aggressives und expansives verhalt associate that we meet the expense of here and check out the link you

could buy lead therapie tools aggressives und

**praxis für psychotraumatologie aggressionstherapie** - May 07 2022

expense of therapie tools aggressives und expansives verhalt and numerous books collections from fictions to scientific research in any way in the middle of them is this

therapie tools aggressives und expansives verhalt pdf - Feb 04 2022

if you ally infatuation such a referred therapie tools aggressives und expansives verhalt book that will come up with the money for you worth get the completely best seller from us

**umgang mit aggression in der therapie** - Mar 17 2023

beschreibung aggressives verhalten gehört zu den häufigsten vorstellungsanlässen in der psychotherapie von kindern und jugendlichen aufgrund der vielfältigen auswirkungen für die

**therapie tools aggressives und expansives** - Oct 12 2022

therapie tools aggressives und expansives verhalten im kindes und jugendalter therapie tools von felix euler jetzt als ebook herunterladen sofort loslesen versandkostenfrei

therapie tools aggressives und expansives verhalten im von - Dec 14 2022

inhalt vorwort 7 einföhrung 1 vorbereitungundtherapieplanung 12 2 diagnostik 21 3 therapie 46 3 1

problemverständnisundpsychoedukation 46 3 2

**therapie tools aggressives und expansives verhalten im kindes** - Jan 15 2023

eine kurze einföhrung zum kapitel diagnostik aus dem therapie tools therapie tools aggressives und expansives verhalten im kindes und jugendalter von grasmann und

therapie tools aggressives und expansives verhalten im kindes - Apr 18 2023

im diesem therapie tools buch werden vielfältige materialien aus unterschiedlichen ansätzen zur transdiagnostischen behandlung von aggressivem verhalten zur verfügung gestellt die

**therapie tools aggressives und expansives verhalten im** - Aug 10 2022

sep 17 2023 aggressives therapie tools aggressives und expansives verhalten im pdf therapie tools zwangsstörungen im kindes und therapie tools aggressives und

therapie tools aggressives und expansives verhalt 2022 - Dec 02 2021

**therapie tools aggressives und expansives verhalt** - Jan 03 2022

sep 3 2023 felix euler aggressives und expansives therapie tools aggressives und expansives verhalten im verhaltenstherapie mit kindern amp jugendlichen 1 2 2018 may 20th

**therapie tools aggressives und expansives verhalten im kindes** - May 19 2023

aug 15 2019 viele eltern lehrkräfte oder therapeutisch arbeitende personen haben die die intuition dass der konsum von gewalthaltigen medien aggressives verhalten bei kinder und

*aggression einleitung diagnostik psychotherapie tools* - Nov 13 2022

im diesem therapie tools buch werden vielfältige materialien aus unterschiedlichen ansätzen zur transdiagnostischen behandlung von aggressivem verhalten zur verfügung gestellt die

**therapie tools aggressives und expansives verhalten im kindes** - Sep 11 2022

most less latency times to download any of our books once this one merely said the therapie tools aggressives und expansives verhalt is universally compatible later than any devices

therapie tools aggressives und expansives verhalten - Feb 16 2023

im diesem therapie tools buch werden vielfältige materialien aus unterschiedlichen ansätzen zur transdiagnostischen behandlung von aggressivem verhalten zur verfügung gestellt die

**therapie tools aggressives und expansives verhalt 2022** - Mar 05 2022

therapie tools aggressives und expansives verhalt 1 therapie tools aggressives und expansives verhalt is available in our book collection an online access to it is set as public so

**therapie tools aggressives und expansives verhalten im kindes** - Jun 20 2023

in den warenkorb auf den merktzettel sofort lieferbar grasmann euler therapie tools aggressives und expansives verhalten im kindes und jugendalter 2019 buch fachbuch

**therapie tools aggressives und expansives verhalten im kindes** - Aug 22 2023

therapie tools aggressives und expansives verhalten im kindes und jugendalter mit e book inside und arbeitsmaterial beltz therapie tools grasmann dörte euler felix

**therapie tools aggressives und expansives** - Sep 23 2023

der artikel therapie tools aggressives und expansives verhalten im kindes und jugendalter gliedert sich in folgende kapitel kapitel aggression vorbereitung und therapieplanung

therapie tools aggressives und expansives verhalten im kindes - Jul 21 2023

aug 15 2019 im diesem therapie tools buch werden vielfältige materialien aus unterschiedlichen ansätzen zur transdiagnostischen behandlung von aggressivem verhalten

*therapie tools aggressives und expansives verhalten im* - Nov 01 2021

therapie tools aggressives und expansives verhalt william - Apr 06 2022

4 therapie tools aggressives und expansives verhalt 2022 05 30 overview of mental health and illness in the united states  
analyzing the current state of the health care system and