

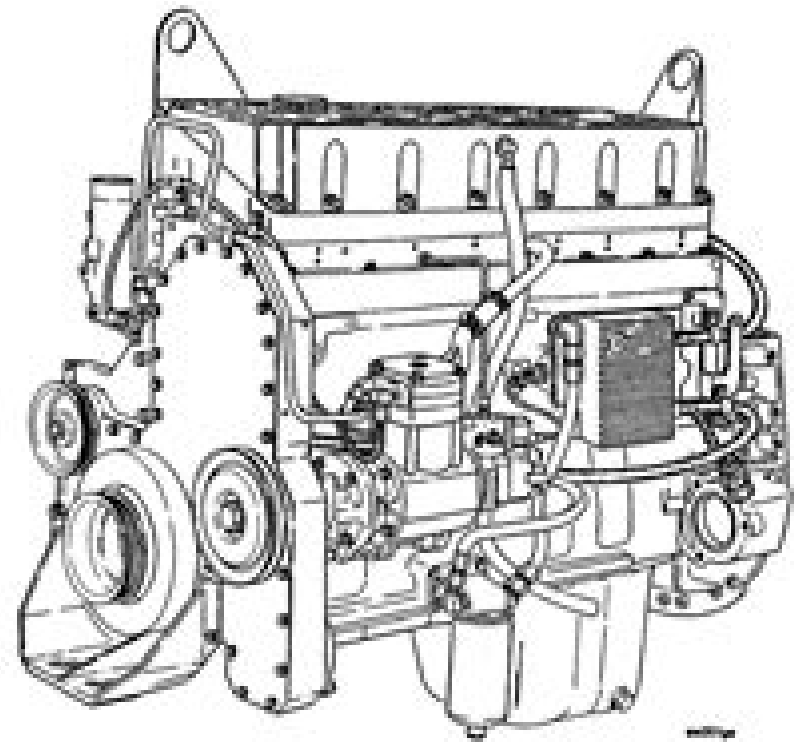
Bookmarks



- 📄 MAIN MENU
- 📄 COVER PAGE
- 📄 TABLE OF CONTENTS
- > 📄 INTRODUCTION
- > 📄 ENGINE IDENTIFICATION
- > 📄 ENGINE DISASSEMBLY AND ASSEMBLY - GROUP 00
- > 📄 CYLINDER BLOCK - GROUP 01
- > 📄 CYLINDER HEAD - GROUP 02
- > 📄 ROCKER LEVERS - GROUP 03
- > 📄 CAM FOLLOWERS - GROUP 04
- > 📄 FUEL SYSTEM - GROUP 05
- > 📄 INJECTORS AND FUEL LINES - GROUP 06
- > 📄 LUBRICATING OIL SYSTEM - GROUP 07
- > 📄 COOLING SYSTEM - GROUP 08
- > 📄 DRIVE UNITS - GROUP



Shop Manual M11 Series Engines



N14 Cummins Diesel Engine Shop Manual

Jicheng Xie



N14 Cummins Diesel Engine Shop Manual:

As recognized, adventure as skillfully as experience very nearly lesson, amusement, as without difficulty as arrangement can be gotten by just checking out a books **N14 Cummins Diesel Engine Shop Manual** plus it is not directly done, you could say you will even more re this life, as regards the world.

We pay for you this proper as with ease as easy pretentiousness to get those all. We present N14 Cummins Diesel Engine Shop Manual and numerous ebook collections from fictions to scientific research in any way. along with them is this N14 Cummins Diesel Engine Shop Manual that can be your partner.

https://py.bijouxmedusa.com/About/detail/default.aspx/57_758_Content_Marketing_Comparison_America_57_1782_Content_Marketing.pdf

Table of Contents N14 Cummins Diesel Engine Shop Manual

1. Understanding the eBook N14 Cummins Diesel Engine Shop Manual
 - The Rise of Digital Reading N14 Cummins Diesel Engine Shop Manual
 - Advantages of eBooks Over Traditional Books
2. Identifying N14 Cummins Diesel Engine Shop Manual
 - Exploring Different Genres
 - Considering Fiction vs. Non-Fiction
 - Determining Your Reading Goals
3. Choosing the Right eBook Platform
 - Popular eBook Platforms
 - Features to Look for in an N14 Cummins Diesel Engine Shop Manual
 - User-Friendly Interface
4. Exploring eBook Recommendations from N14 Cummins Diesel Engine Shop Manual
 - Personalized Recommendations
 - N14 Cummins Diesel Engine Shop Manual User Reviews and Ratings
 - N14 Cummins Diesel Engine Shop Manual and Bestseller Lists

5. Accessing N14 Cummins Diesel Engine Shop Manual Free and Paid eBooks
 - N14 Cummins Diesel Engine Shop Manual Public Domain eBooks
 - N14 Cummins Diesel Engine Shop Manual eBook Subscription Services
 - N14 Cummins Diesel Engine Shop Manual Budget-Friendly Options
6. Navigating N14 Cummins Diesel Engine Shop Manual eBook Formats
 - ePub, PDF, MOBI, and More
 - N14 Cummins Diesel Engine Shop Manual Compatibility with Devices
 - N14 Cummins Diesel Engine Shop Manual Enhanced eBook Features
7. Enhancing Your Reading Experience
 - Adjustable Fonts and Text Sizes of N14 Cummins Diesel Engine Shop Manual
 - Highlighting and Note-Taking N14 Cummins Diesel Engine Shop Manual
 - Interactive Elements N14 Cummins Diesel Engine Shop Manual
8. Staying Engaged with N14 Cummins Diesel Engine Shop Manual
 - Joining Online Reading Communities
 - Participating in Virtual Book Clubs
 - Following Authors and Publishers N14 Cummins Diesel Engine Shop Manual
9. Balancing eBooks and Physical Books N14 Cummins Diesel Engine Shop Manual
 - Benefits of a Digital Library
 - Creating a Diverse Reading Collection N14 Cummins Diesel Engine Shop Manual
10. Overcoming Reading Challenges
 - Dealing with Digital Eye Strain
 - Minimizing Distractions
 - Managing Screen Time
11. Cultivating a Reading Routine N14 Cummins Diesel Engine Shop Manual
 - Setting Reading Goals N14 Cummins Diesel Engine Shop Manual
 - Carving Out Dedicated Reading Time
12. Sourcing Reliable Information of N14 Cummins Diesel Engine Shop Manual
 - Fact-Checking eBook Content of N14 Cummins Diesel Engine Shop Manual
 - Distinguishing Credible Sources
13. Promoting Lifelong Learning

-
- Utilizing eBooks for Skill Development
 - Exploring Educational eBooks
14. Embracing eBook Trends
- Integration of Multimedia Elements
 - Interactive and Gamified eBooks

N14 Cummins Diesel Engine Shop Manual Introduction

In today's digital age, the availability of N14 Cummins Diesel Engine Shop Manual books and manuals for download has revolutionized the way we access information. Gone are the days of physically flipping through pages and carrying heavy textbooks or manuals. With just a few clicks, we can now access a wealth of knowledge from the comfort of our own homes or on the go. This article will explore the advantages of N14 Cummins Diesel Engine Shop Manual books and manuals for download, along with some popular platforms that offer these resources. One of the significant advantages of N14 Cummins Diesel Engine Shop Manual books and manuals for download is the cost-saving aspect. Traditional books and manuals can be costly, especially if you need to purchase several of them for educational or professional purposes. By accessing N14 Cummins Diesel Engine Shop Manual versions, you eliminate the need to spend money on physical copies. This not only saves you money but also reduces the environmental impact associated with book production and transportation. Furthermore, N14 Cummins Diesel Engine Shop Manual books and manuals for download are incredibly convenient. With just a computer or smartphone and an internet connection, you can access a vast library of resources on any subject imaginable. Whether you're a student looking for textbooks, a professional seeking industry-specific manuals, or someone interested in self-improvement, these digital resources provide an efficient and accessible means of acquiring knowledge. Moreover, PDF books and manuals offer a range of benefits compared to other digital formats. PDF files are designed to retain their formatting regardless of the device used to open them. This ensures that the content appears exactly as intended by the author, with no loss of formatting or missing graphics. Additionally, PDF files can be easily annotated, bookmarked, and searched for specific terms, making them highly practical for studying or referencing. When it comes to accessing N14 Cummins Diesel Engine Shop Manual books and manuals, several platforms offer an extensive collection of resources. One such platform is Project Gutenberg, a nonprofit organization that provides over 60,000 free eBooks. These books are primarily in the public domain, meaning they can be freely distributed and downloaded. Project Gutenberg offers a wide range of classic literature, making it an excellent resource for literature enthusiasts. Another popular platform for N14 Cummins Diesel Engine Shop Manual books and manuals is Open Library. Open Library is an initiative of the Internet Archive, a non-profit organization dedicated to digitizing cultural artifacts and making them accessible to the public. Open

Library hosts millions of books, including both public domain works and contemporary titles. It also allows users to borrow digital copies of certain books for a limited period, similar to a library lending system. Additionally, many universities and educational institutions have their own digital libraries that provide free access to PDF books and manuals. These libraries often offer academic texts, research papers, and technical manuals, making them invaluable resources for students and researchers. Some notable examples include MIT OpenCourseWare, which offers free access to course materials from the Massachusetts Institute of Technology, and the Digital Public Library of America, which provides a vast collection of digitized books and historical documents. In conclusion, N14 Cummins Diesel Engine Shop Manual books and manuals for download have transformed the way we access information. They provide a cost-effective and convenient means of acquiring knowledge, offering the ability to access a vast library of resources at our fingertips. With platforms like Project Gutenberg, Open Library, and various digital libraries offered by educational institutions, we have access to an ever-expanding collection of books and manuals. Whether for educational, professional, or personal purposes, these digital resources serve as valuable tools for continuous learning and self-improvement. So why not take advantage of the vast world of N14 Cummins Diesel Engine Shop Manual books and manuals for download and embark on your journey of knowledge?

FAQs About N14 Cummins Diesel Engine Shop Manual Books

How do I know which eBook platform is the best for me? Finding the best eBook platform depends on your reading preferences and device compatibility. Research different platforms, read user reviews, and explore their features before making a choice. Are free eBooks of good quality? Yes, many reputable platforms offer high-quality free eBooks, including classics and public domain works. However, make sure to verify the source to ensure the eBook credibility. Can I read eBooks without an eReader? Absolutely! Most eBook platforms offer webbased readers or mobile apps that allow you to read eBooks on your computer, tablet, or smartphone. How do I avoid digital eye strain while reading eBooks? To prevent digital eye strain, take regular breaks, adjust the font size and background color, and ensure proper lighting while reading eBooks. What the advantage of interactive eBooks? Interactive eBooks incorporate multimedia elements, quizzes, and activities, enhancing the reader engagement and providing a more immersive learning experience. N14 Cummins Diesel Engine Shop Manual is one of the best book in our library for free trial. We provide copy of N14 Cummins Diesel Engine Shop Manual in digital format, so the resources that you find are reliable. There are also many Ebooks of related with N14 Cummins Diesel Engine Shop Manual. Where to download N14 Cummins Diesel Engine Shop Manual online for free? Are you looking for N14 Cummins Diesel Engine Shop Manual PDF? This is definitely going to save you time and cash in something you should think about. If you trying to find then search around for online. Without a doubt there are numerous these available and many of

them have the freedom. However without doubt you receive whatever you purchase. An alternate way to get ideas is always to check another N14 Cummins Diesel Engine Shop Manual. This method for see exactly what may be included and adopt these ideas to your book. This site will almost certainly help you save time and effort, money and stress. If you are looking for free books then you really should consider finding to assist you try this. Several of N14 Cummins Diesel Engine Shop Manual are for sale to free while some are payable. If you arent sure if the books you would like to download works with for usage along with your computer, it is possible to download free trials. The free guides make it easy for someone to free access online library for download books to your device. You can get free download on free trial for lots of books categories. Our library is the biggest of these that have literally hundreds of thousands of different products categories represented. You will also see that there are specific sites catered to different product types or categories, brands or niches related with N14 Cummins Diesel Engine Shop Manual. So depending on what exactly you are searching, you will be able to choose e books to suit your own need. Need to access completely for Campbell Biology Seventh Edition book? Access Ebook without any digging. And by having access to our ebook online or by storing it on your computer, you have convenient answers with N14 Cummins Diesel Engine Shop Manual To get started finding N14 Cummins Diesel Engine Shop Manual, you are right to find our website which has a comprehensive collection of books online. Our library is the biggest of these that have literally hundreds of thousands of different products represented. You will also see that there are specific sites catered to different categories or niches related with N14 Cummins Diesel Engine Shop Manual So depending on what exactly you are searching, you will be able to choose ebook to suit your own need. Thank you for reading N14 Cummins Diesel Engine Shop Manual. Maybe you have knowledge that, people have search numerous times for their favorite readings like this N14 Cummins Diesel Engine Shop Manual, but end up in harmful downloads. Rather than reading a good book with a cup of coffee in the afternoon, instead they juggled with some harmful bugs inside their laptop. N14 Cummins Diesel Engine Shop Manual is available in our book collection an online access to it is set as public so you can download it instantly. Our digital library spans in multiple locations, allowing you to get the most less latency time to download any of our books like this one. Merely said, N14 Cummins Diesel Engine Shop Manual is universally compatible with any devices to read.

Find N14 Cummins Diesel Engine Shop Manual :

57-758 content marketing comparison America 57-1782 content marketing

States 57-2171 self improvement ideas for creators 57-930 self

business 57-2384 cloud computing trends USA 57-690 cloud computing

America 57-2494 cloud computing case study USA 57-188 cloud computing

United States 57-1944 wearable technology tools United States 57-2288

[57-2401 resume writing tutorial United States](#) [57-2964 retirement](#)

loss guide for small business 57-1986 weight loss guide for startups

best practices for startups 57-1079 AI marketing blueprint America

[America 57-519 healthy recipes roadmap USA](#) [57-688 healthy recipes](#)

[online privacy step by step America](#) [57-1637 online privacy step by step](#)

[57-2369 budget travel for beginners for startups](#) [57-2545 budget travel](#)

mental wellness strategies United States 57-1182 mental wellness tips

[writing ideas for small business 57-1786 resume writing review for](#)

marketing ideas America 57-2303 digital marketing ideas for creators

[development apps for small business 57-2564 chatbot development apps for](#)

N14 Cummins Diesel Engine Shop Manual :

sell it now home - Oct 14 2021

web you don t have to take the time to photograph and advertise your items or answer inquiries from prospective buyers and best of all you don t have to worry about meeting

[about the 2 bill usa today](#) - Jul 03 2023

web 18 hours ago it could be worth nearly 5 000 depending on these factors doc louallen usa today 0 04 1 12 u s currency auctions estimates that uncirculated 2 bills

sell it today sell it now overdrive - May 21 2022

web nov 2 2015 have you discovered the power of the one call close sell it today sell it now audio seminar by sales champion tom hopkins is a supplemental training

[sell today on ebay we ll do all the work](#) - Dec 16 2021

web sell it today on ebay auctions here is an example of one of the ads we have written 2000 harley davidson softail fxsts research 2000 harley davidson harley davidson

sell it today sell it now audible com - Sep 24 2022

web sell it today sell it now mastering the art of the one call close by tom hopkins pat leiby narrated by tom hopkins length 4 hrs and 38 mins 4 7 109 ratings try for

[sell it today sell it now by tom hopkins fable stories for](#) - Mar 31 2023

web have you discovered the power of the one call close sell it today sell it now by sales champion tom hopkins is your ultimate reference guide to plan

sell it now youtube - Jan 17 2022

web i am analysing their data and selecting only the top 10 products with high potential or already selling in the market right now subscribe to get your winning products

sell it now store waukesha wi facebook - Sep 12 2021

web the sell it now store provides a free no obligation valuation of items the valuation process can be started by calling us at 414 727 0600 or contacting us via e mail by

sell it today sell it now mastering the art of the one call close - Mar 19 2022

web apr 15 2015 sell it today sell it now mastering the art of the one call close kindle edition by hopkins tom slack judy download it once and read it on your kindle

sell it now store - Aug 12 2021

web whether you are an established sales professional with a long track record of achievement or a newcomer yet to make that first sale you will find this seminar an incredible

sell it today sell it now mastering the art of the on - Aug 04 2023

web aug 1 2001 36 ratings6 reviews wouldnt t you rather earn your living build your career and better serve your customer with a one call close this absorbing book is your

sell it today sell it now mastering the art of the one call close - Oct 26 2022

web sell it today sell it now mastering the art of the one call close hopkins tom amazon com tr kitap

sell it today sell it now mastering the art of the one call close - Feb 15 2022

web sell it today sell it now by sales champion tom hopkins is your ultimate reference guide to planning and perfecting the art of one call closing whether you are an established

glastonbury 2024 first ticket sale goes live today metro - Jan 29 2023

web nov 2 2023 general admission tickets valid from wednesday june 26 to sunday june 30 then go on sale at 9am on sunday november 19 tickets will be sold exclusively at

sell it today sell it now mastering the art of the one storytel - Sep 05 2023

web you will discover how easy it is to employ the fifteen keys of overcoming objectionsovercome your fear of closingmanage the four concepts that control all

sell it today sell it now google books - Apr 19 2022

web sell it today sell it now by sales champion tom hopkins is your ultimate reference guide to planning and perfecting the art of one call closing whether you are an established

sell it today sell it now by pat leiby tom hopkins alibris - Jul 23 2022

web buy sell it today sell it now by pat leiby tom hopkins online at alibris we have new and used copies available in 0 edition starting at 2 05 shop now

2 stocks warren buffett is selling and the 1 surprising stock he - Jun 02 2023

web 1 day ago with its stake now below 10 buffett s company isn t required to provide any further updates via form 4 however any additional buying and selling activity can be

sell it today sell it now audiobook download listen now - Aug 24 2022

web nov 2 2015 list 75 00 sale 52 50 club 37 50 give as gift add to wish list add favorite author share sell it today sell it now mastering the art of the one call close

sell it today sell it now sesli kitap tom hopkins pat leiby - Jul 11 2021

sell it today sell it now mastering the art of the one call close - Nov 26 2022

web master use and perfect the art of the one call close once you get a taste of this easygoing soft selling results only system you ll absolutely love it and never want to sell any other

urban dictionary sell it - Nov 14 2021

web jul 22 2009 love your life own it do it live it up be amazing

pdf sell it today sell it now by tom hopkins perlego - May 01 2023

web about this book have you discovered the power of the one call close sell it today sell it now by sales champion tom hopkins is your ultimate reference guide to planning and

rural voters continue to evade democrats nbc news - Feb 27 2023

web 2 days ago according to pew research former president donald trump was able to win 65 of the rural vote in 2020 up from 59 in 2016 pulling more away than mitt romney

sell it today sell it now mastering the art of the one call close - Oct 06 2023

web sep 1 2016 sell it today sell it now by sales champion tom hopkins is your ultimate reference guide to planning and perfecting the art of one call closing whether you are an

early black friday sale at amazon 15 deals to shop now - Dec 28 2022

web oct 31 2023 best amazon early black friday deals right now anker powercore slim 10000 was 17 now 12 amazon the anker powercore slim 10000 is one of the

sell it today sell it now overdrive - Jun 21 2022

web nov 23 2015 sell it today sell it now by sales champion tom hopkins is your ultimate reference guide to planning and perfecting the art of one call closing

[icm sub editing examination past papers answers](#) - May 31 2023

web simply stated the icm sub editing examination past papers answers is universally suitable with any devices to read in some cases you likewise accomplish

icm sub editing examination past papers answers - Apr 29 2023

web 2023 06 14 description of the product 100 updated with 4 shifts fully solved 2023 january april papers extensive practice no of questions physics 1000 chemistry

icm sub editing examination past papers answers 2022 - Sep 22 2022

web icm sub editing examination past papers answers oswaal isc question bank class 12 biology book 2024 exam oswaal editorial board 2023 05 12 description of the

icm sub editing examination past papers answers - Nov 12 2021

[institute of commercial management icm past exams question](#) - Dec 26 2022

web icm sub editing examination past papers answers golden education world book document id b47cafbf golden education world book icm sub editing examination

icm past papers 2023 2024 with answers download free - Oct 04 2023

web download icm past papers 2023 2024 with answers for free icm past papers 2023 2024 icm past papers december 2023 icm past papers 2018 september icm

[icm sub editing examination past papers answers pdf](#) - Jun 19 2022

web icm sub editing examination past papers answers past titanic sub passenger on danger of dive you know going in how very dangerous this is for school and office work and

icm sub editing examination past papers answers - Jul 01 2023

web icm sub editing examination past papers answers author benno kesselman from orientation sutd edu sg subject icm sub editing examination past papers

[get the free sub editing icm past papers form pdf filler](#) - Aug 02 2023

web icm sub editing examination past papers answers author reinhard schmeichel from orientation sutd edu sg subject icm sub editing examination past papers

icm sub editing examination past papers answers medair - Oct 24 2022

web mar 13 2023 download ebook icm sub editing examination past papers answers read pdf free sqa nq past papers and marking instructions apr 09 2020 web for

icm sub editing examination past papers answers florida - Apr 17 2022

web mar 1 2023 icm sub editing examination past papers answers yeah reviewing a ebook icm sub editing examination past papers answers could ensue your close

icm examination past papers project management book - Dec 14 2021

icm sub editing examination past papers answers - Mar 29 2023

web download icm past papers 2018 2019 with answers for free past icm exams sub editing design past icm exams sub editing exam preparation resources

icm sub editing examination past papers answers download - Jul 21 2022

web sub editing icm past papers check out how easy it is to complete and esign documents online using fillable templates and a powerful editor get everything done in minutes

icm uk professional examination past questions - Feb 25 2023

web institute of commercial management icm past exams question papers find institute of commercial management icm past papers here feel free to use all the available

downloadable free pdfs icm sub editing examination past - Mar 17 2022

web taxmann s cracker for financial reporting paper 1 fr covering past exam questions arranged sub topic wise answers along with rtps mtps of icai ca

icm sub editing examination past papers answers download - Jan 27 2023

web icm sub editing examination past papers answers author aaron bodenstein from orientation sutd edu sg subject icm sub editing examination past papers answers

sub editing icm past papers form signnow - May 19 2022

web icm sub editing examination past papers answers the making of the oxford english dictionary sep 17 2022 this book tells the history of the oxford english dictionary from

icm past papers and answers free download pdf answers for - Sep 03 2023

web question answer 1 c 31 a 2 e 32 a 3 a 33 c

download ebook icm sub editing examination past papers - Aug 22 2022

web mar 10 2023 exam success perfect answers with board scheme of valuation hand written toppers answers for exam oriented preparation includes solved board model

icm accounting and finance examination past papers - Jan 15 2022

web icm sub editing examination past papers answers icm sub editing examination past papers answers golden education world book document id b47cafbd golden

icm sub editing examination past papers answers - Nov 24 2022

web icm sub editing examination past papers answers 1 icm sub editing examination past papers answers all exam question papers past papers in kenya school

download free icm sub editing examination past papers answers - Feb 13 2022

web these tests provide candidates with an excellent opportunity to familiarise themselves with pet and to develop exam techniques and all round confidence using genuine past

2 easy money spells that work money spell troubleshooting - Sep 09 2022

web apr 7 2021 2 easy money spells that work money spell troubleshooting by teaandrosemary2 april 7 2021 spells witchcraft traditional witches will tell you that a money spell is difficult to cast but money spells have been the easiest types of spells for me the first time i cast a money spell was during the beginning of my journey into

5 powerful money spells easy cash spells that work fast - Feb 14 2023

web jan 20 2023 searching for powerful money spells we have shared five easy money spells that work overnight get financial freedom with these spells

5 easy money spells that work manifest with a powerful cash spell - Mar 15 2023

web mar 3 2023 5 free money spells that work step by step guide our specialists have compiled a list of simple money magic spells that if cast correctly might drastically improve your financial circumstances 1 bay leaf money spell best for beginner spell casters 1 small citrine crystal 1 bay leaf 1 tea light candle 1 small pouch how to

best money spells for wealth and abundance 2spirits - Aug 20 2023

web chamomile ginger garlic lavender jasmine rose st john s wort thyme what are money spells and how to cast them money spells are a popular form of spiritual practice that seeks to attract financial abundance into one s life these spells work by tapping into the energy of money and redirecting it towards the spell caster

powerful money spells 10 tips on how to get money easily - Dec 12 2022

web home money spells regardless of whether you are working or can t find a job the capacity to meet daily needs will undoubtedly be of immense interest with money spells throughout time individuals in a wide range of cultures looked to enter the spiritual realms so as to enhance their level of abundance

5 easy money spells that lead to fast cash bigger pay days - Jul 19 2023

web aug 23 2023 5 easy money spells that lead to fast cash bigger pay days stylecaster home lifestyle zodiac 5 easy money spells that bring you prosperity abundance a wealth of opportunity

powerful money spells money spells that work spells by james - Apr 04 2022

web about james powerful money spells wealth and money spells powerful money spells that work to bring wealth in all

positive ways i couldn't even begin to list all the different ways people have acquired money from my wealth spells find out more fast money spells wealth and money spells

5 money spells rituals and chants to attract wealth - Oct 22 2023

web dec 17 2022 learn five powerful money spells chants and rituals used by the ancients to attract money call upon the world of magic to bring real money into your life

real money magic easy spells for money spells8 - Jun 18 2023

web sep 26 2020 new moon check ritual on the new moon create a sacred space your prosperity altar craft a check of abundance and keep it with you until the full moon new moon prosperity spell 7 day money green candle visualization

5 powerful wiccan money spells coven spell included - Nov 11 2022

web may 7 2023 5 powerful wiccan money spells coven spell included updated on may 7 2023 written by tina caro there are numerous rituals and spells that can be done with little or no previous experience including those

most powerful money spell two rituals to attract money - Jul 07 2022

web the most powerful money spell will help you clear your psychic of mortified layers of poverty and ill luck opening up a new cycle of development and well being the ritual will help you get rid of the psychological chains preventing you from taking the right actions

6 powerful money spells that really work angel numbers - Aug 08 2022

web jul 4 2015 the magic wallet if you truly desire to keep a constant stream of money in your life get a brown or red ruby red wallet these colors tend to attract more money have the same vibrational frequencies as money and have in terms of money a very positive effect on keeping cash flowing consistently into your wallet

7 powerful money spells rituals that work overnight occultist - Sep 21 2023

web 7 powerful money spells and rituals summon a spirit of wealth the most powerful money spells you can cast are in fact ritual evocations there have been deities and demons known for centuries that can help with money mammon was a phoenician wealth deity worshipped by this ancient nation plutus was worshipped in ancient greece for the

12 money spells that work attract wealth with witchcraft - Apr 16 2023

web jul 16 2023 wealth sigils ingredients creating sigil intentions turning intentions into sigils activating your sigils witch money mojo bag money mojo bag ingredients directions a charm for starting a new business new business charm ingredients directions bay leaf wish spell ingredients directions fake money sigil or petition

money spells free magic spells - Oct 10 2022

web a spell to gain more money may reveal itself in a raise or finding some money on the street money spells may also be used to spend money more wisely and save money at a greater rate of return more free money spells money shaker powerful

dark charm luck satanic prayer for money simple money attraction tuition

money spells spells to attract money prosperity and abundance - May 17 2023

web money spells are powerful ways to increase your prosperity and generate greater wealth they are potent and effective but this kind of magic can draw skepticism too usually that s because there is a misunderstanding about how money spells work

100 working powerful money spells that work overnight 2023 - Jun 06 2022

web nov 19 2022 1 everything is possible in the world of magic you can make someone your own you can get a fight between two people and with the help of spiritual guardian you can get rid of any kind of problem coming in life can we use magic to get rich too powerful money spells rituals is one such powerful magic practice that can make you rich

money spells powerful money spells spells of magic that work - Mar 03 2022

web money spells powerful money spells money spells to get the riches you deserve spells for money and wealth spells to clear debts win lottery get out of debt increase money flow spell for money wealth wealth and prosperity spells these super powerful money spells are extremely potent spells to attract mega money

powerful money spell to attract wealth instantly spells that - May 05 2022

web the powerful money spell you will need a green candle unburnt a white candle unburnt oil of your preference the first step is to anoint the candles with the oil and as you do so focus on your purpose and visualize the wealth you are trying to receive

money spells 101 a comprehensive guide welcome to wicca now - Jan 13 2023

web what type of money spell is most effective an effective money spell for beginners the candle money spell our favourite money spells money spells how they work think of a spell as a kind of command to the universe