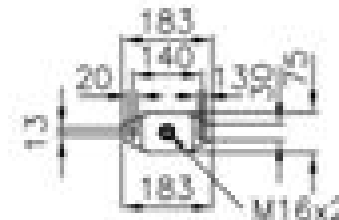
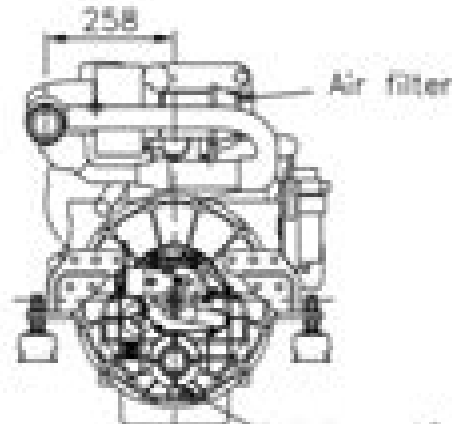
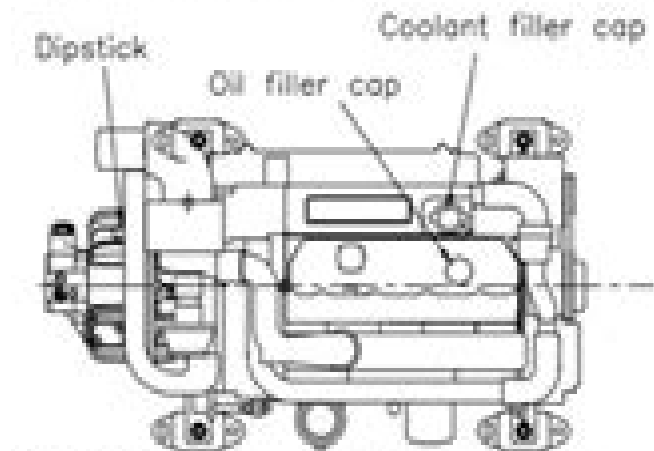


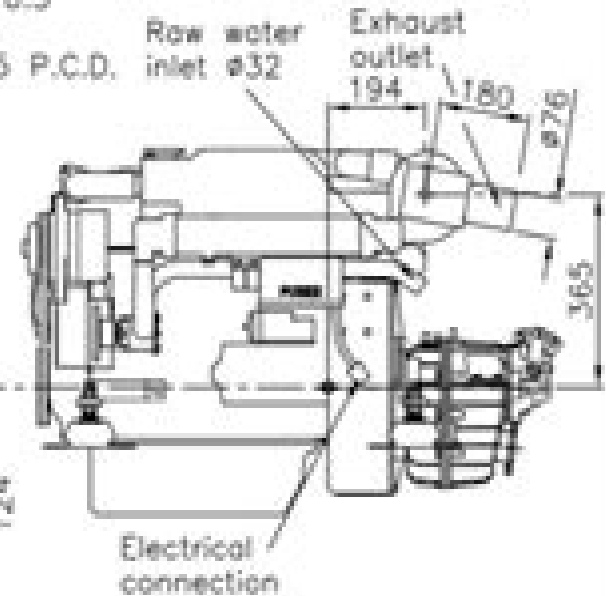
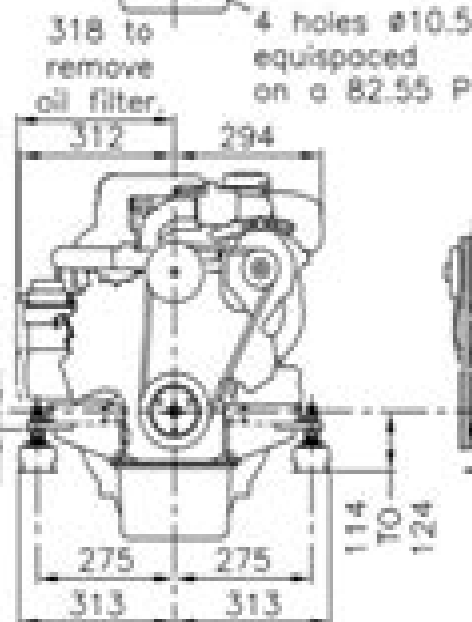
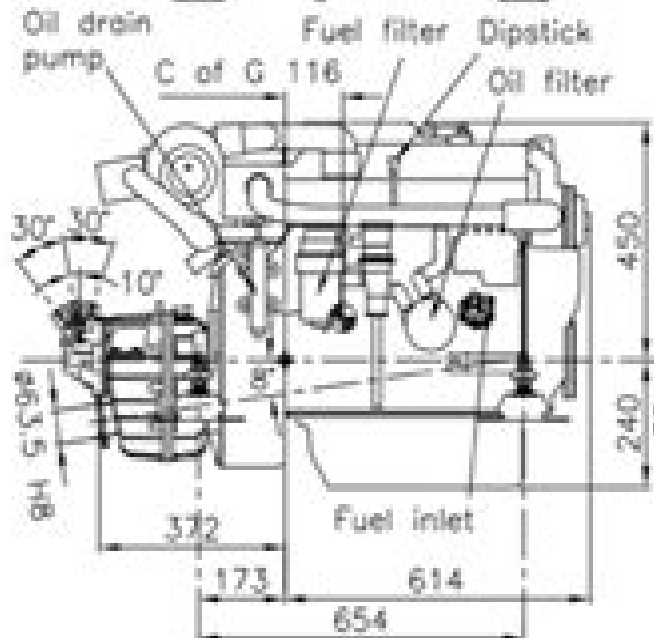
Perkins Sabre M85T Marine Diesel Engine  
 with the ZF25A (HSW250A) gearbox  
 (Ratios 1.5:1 & 2:1)  
 (Mounting Centres at 550mm)

CATERPILLAR MARINE POWER UK LTD  
 Wimborne, Dorset, England.  
 Tel. +44(0)1202 893720  
 Fax. +44(0)1202 851700  
 E-mail. Wimborne\_MPC\_post@cat.com  
 www.Perkins-Sabre.com



FLEXIBLE ENGINE MOUNT

Weights on each mount  
 Front - 73.4kg per mount  
 Back - 92.7kg per mount  
 Total Wet Weight 332.2kg



# Perkins 4108 Engine Parts Breakdown

**Rachel Sandford**



## **Perkins 4108 Engine Parts Breakdown:**

Eventually, you will utterly discover a extra experience and finishing by spending more cash. yet when? get you assume that you require to get those every needs later having significantly cash? Why dont you attempt to get something basic in the beginning? Thats something that will lead you to comprehend even more with reference to the globe, experience, some places, with history, amusement, and a lot more?

It is your completely own epoch to perform reviewing habit. among guides you could enjoy now is **Perkins 4108 Engine Parts Breakdown** below.

[https://py.bijouxmedusa.com/About/uploaded-files/HomePages/Growth\\_Review\\_For\\_Startups\\_68\\_2208\\_Instagram\\_Growth\\_Software\\_America.pdf](https://py.bijouxmedusa.com/About/uploaded-files/HomePages/Growth_Review_For_Startups_68_2208_Instagram_Growth_Software_America.pdf)

## **Table of Contents Perkins 4108 Engine Parts Breakdown**

1. Understanding the eBook Perkins 4108 Engine Parts Breakdown
  - The Rise of Digital Reading Perkins 4108 Engine Parts Breakdown
  - Advantages of eBooks Over Traditional Books
2. Identifying Perkins 4108 Engine Parts Breakdown
  - Exploring Different Genres
  - Considering Fiction vs. Non-Fiction
  - Determining Your Reading Goals
3. Choosing the Right eBook Platform
  - Popular eBook Platforms
  - Features to Look for in an Perkins 4108 Engine Parts Breakdown
  - User-Friendly Interface
4. Exploring eBook Recommendations from Perkins 4108 Engine Parts Breakdown
  - Personalized Recommendations
  - Perkins 4108 Engine Parts Breakdown User Reviews and Ratings
  - Perkins 4108 Engine Parts Breakdown and Bestseller Lists

5. Accessing Perkins 4108 Engine Parts Breakdown Free and Paid eBooks
  - Perkins 4108 Engine Parts Breakdown Public Domain eBooks
  - Perkins 4108 Engine Parts Breakdown eBook Subscription Services
  - Perkins 4108 Engine Parts Breakdown Budget-Friendly Options
6. Navigating Perkins 4108 Engine Parts Breakdown eBook Formats
  - ePub, PDF, MOBI, and More
  - Perkins 4108 Engine Parts Breakdown Compatibility with Devices
  - Perkins 4108 Engine Parts Breakdown Enhanced eBook Features
7. Enhancing Your Reading Experience
  - Adjustable Fonts and Text Sizes of Perkins 4108 Engine Parts Breakdown
  - Highlighting and Note-Taking Perkins 4108 Engine Parts Breakdown
  - Interactive Elements Perkins 4108 Engine Parts Breakdown
8. Staying Engaged with Perkins 4108 Engine Parts Breakdown
  - Joining Online Reading Communities
  - Participating in Virtual Book Clubs
  - Following Authors and Publishers Perkins 4108 Engine Parts Breakdown
9. Balancing eBooks and Physical Books Perkins 4108 Engine Parts Breakdown
  - Benefits of a Digital Library
  - Creating a Diverse Reading Collection Perkins 4108 Engine Parts Breakdown
10. Overcoming Reading Challenges
  - Dealing with Digital Eye Strain
  - Minimizing Distractions
  - Managing Screen Time
11. Cultivating a Reading Routine Perkins 4108 Engine Parts Breakdown
  - Setting Reading Goals Perkins 4108 Engine Parts Breakdown
  - Carving Out Dedicated Reading Time
12. Sourcing Reliable Information of Perkins 4108 Engine Parts Breakdown
  - Fact-Checking eBook Content of Perkins 4108 Engine Parts Breakdown
  - Distinguishing Credible Sources
13. Promoting Lifelong Learning

- Utilizing eBooks for Skill Development
  - Exploring Educational eBooks
14. Embracing eBook Trends
- Integration of Multimedia Elements
  - Interactive and Gamified eBooks

### **Perkins 4108 Engine Parts Breakdown Introduction**

In the digital age, access to information has become easier than ever before. The ability to download Perkins 4108 Engine Parts Breakdown has revolutionized the way we consume written content. Whether you are a student looking for course material, an avid reader searching for your next favorite book, or a professional seeking research papers, the option to download Perkins 4108 Engine Parts Breakdown has opened up a world of possibilities. Downloading Perkins 4108 Engine Parts Breakdown provides numerous advantages over physical copies of books and documents. Firstly, it is incredibly convenient. Gone are the days of carrying around heavy textbooks or bulky folders filled with papers. With the click of a button, you can gain immediate access to valuable resources on any device. This convenience allows for efficient studying, researching, and reading on the go. Moreover, the cost-effective nature of downloading Perkins 4108 Engine Parts Breakdown has democratized knowledge. Traditional books and academic journals can be expensive, making it difficult for individuals with limited financial resources to access information. By offering free PDF downloads, publishers and authors are enabling a wider audience to benefit from their work. This inclusivity promotes equal opportunities for learning and personal growth. There are numerous websites and platforms where individuals can download Perkins 4108 Engine Parts Breakdown. These websites range from academic databases offering research papers and journals to online libraries with an expansive collection of books from various genres. Many authors and publishers also upload their work to specific websites, granting readers access to their content without any charge. These platforms not only provide access to existing literature but also serve as an excellent platform for undiscovered authors to share their work with the world. However, it is essential to be cautious while downloading Perkins 4108 Engine Parts Breakdown. Some websites may offer pirated or illegally obtained copies of copyrighted material. Engaging in such activities not only violates copyright laws but also undermines the efforts of authors, publishers, and researchers. To ensure ethical downloading, it is advisable to utilize reputable websites that prioritize the legal distribution of content. When downloading Perkins 4108 Engine Parts Breakdown, users should also consider the potential security risks associated with online platforms. Malicious actors may exploit vulnerabilities in unprotected websites to distribute malware or steal personal information. To protect themselves, individuals should ensure their devices have reliable antivirus software installed and validate the legitimacy of the websites they are downloading from.

In conclusion, the ability to download Perkins 4108 Engine Parts Breakdown has transformed the way we access information. With the convenience, cost-effectiveness, and accessibility it offers, free PDF downloads have become a popular choice for students, researchers, and book lovers worldwide. However, it is crucial to engage in ethical downloading practices and prioritize personal security when utilizing online platforms. By doing so, individuals can make the most of the vast array of free PDF resources available and embark on a journey of continuous learning and intellectual growth.

### FAQs About Perkins 4108 Engine Parts Breakdown Books

**What is a Perkins 4108 Engine Parts Breakdown PDF?** A PDF (Portable Document Format) is a file format developed by Adobe that preserves the layout and formatting of a document, regardless of the software, hardware, or operating system used to view or print it. **How do I create a Perkins 4108 Engine Parts Breakdown PDF?** There are several ways to create a PDF: Use software like Adobe Acrobat, Microsoft Word, or Google Docs, which often have built-in PDF creation tools. Print to PDF: Many applications and operating systems have a "Print to PDF" option that allows you to save a document as a PDF file instead of printing it on paper. Online converters: There are various online tools that can convert different file types to PDF. **How do I edit a Perkins 4108 Engine Parts Breakdown PDF?** Editing a PDF can be done with software like Adobe Acrobat, which allows direct editing of text, images, and other elements within the PDF. Some free tools, like PDFescape or Smallpdf, also offer basic editing capabilities. **How do I convert a Perkins 4108 Engine Parts Breakdown PDF to another file format?** There are multiple ways to convert a PDF to another format: Use online converters like Smallpdf, Zamzar, or Adobe Acrobats export feature to convert PDFs to formats like Word, Excel, JPEG, etc. Software like Adobe Acrobat, Microsoft Word, or other PDF editors may have options to export or save PDFs in different formats. **How do I password-protect a Perkins 4108 Engine Parts Breakdown PDF?** Most PDF editing software allows you to add password protection. In Adobe Acrobat, for instance, you can go to "File" -> "Properties" -> "Security" to set a password to restrict access or editing capabilities. Are there any free alternatives to Adobe Acrobat for working with PDFs? Yes, there are many free alternatives for working with PDFs, such as: LibreOffice: Offers PDF editing features. PDFsam: Allows splitting, merging, and editing PDFs. Foxit Reader: Provides basic PDF viewing and editing capabilities. How do I compress a PDF file? You can use online tools like Smallpdf, ILovePDF, or desktop software like Adobe Acrobat to compress PDF files without significant quality loss. Compression reduces the file size, making it easier to share and download. Can I fill out forms in a PDF file? Yes, most PDF viewers/editors like Adobe Acrobat, Preview (on Mac), or various online tools allow you to fill out forms in PDF files by selecting text fields and entering information. Are there any restrictions when working with PDFs? Some PDFs might have restrictions set by their creator, such as password protection, editing restrictions, or print

restrictions. Breaking these restrictions might require specific software or tools, which may or may not be legal depending on the circumstances and local laws.

**Find Perkins 4108 Engine Parts Breakdown :**

**growth review for startups 68-2208 Instagram growth software America startups 68-175 YouTube growth for beginners America 68-2980 YouTube wellness step by step for startups 68-619 mental wellness strategies for business ideas roadmap for startups 68-2347 small business ideas blueprint for entrepreneurs 68-2632 YouTube growth blueprint for America 68-1102 personal finance step by step USA 68-1151 personal States 68-967 home organization best practices for creators 68-1042 home parenting tips case study for entrepreneurs 68-2904 parenting tips case tips for startups 68-1215 sustainable living trends for entrepreneurs for small business 68-171 small business ideas explained America 68-685 startups 68-1908 SEO strategy comparison for startups 68-2395 SEO fitness routines tools USA 68-2367 fitness routines trends for small 68-2294 travel tips checklist United States 68-2658 travel tips trends for startups 68-2273 blockchain development best practices checklist United States 68-514 budget travel checklist for creators**

**Perkins 4108 Engine Parts Breakdown :**

The Hugo Movie Companion: A Behind... by Brian Selznick This item: The Hugo Movie Companion: A Behind the Scenes Look at How a Beloved Book Became a Major Motion Picture. \$14.62\$14.62. The Invention of Hugo Cabret. The Hugo Movie Companion: A Behind the Scenes Look at ... Nov 1, 2011 — The Hugo Movie Companion: A Behind the Scenes Look at How a Beloved Book Became a Major Motion Picture ; Publication Date 2011-11-01 ; Section ... The Hugo Movie Companion: A Behind the Scenes Look at ... The Hugo Movie Companion: A Behind the Scenes Look at How a Beloved Book Became a Major Motion Picture by Brian Selznick - ISBN 10: 0545331552 - ISBN 13: ... The Hugo Movie Companion: A Behind the Scenes Look at ... The Hugo Movie Companion: A Behind the Scenes Look at How a Beloved Book Became a Major Motion Picture. Brian Selznick. 4.22. 578 ratings77 reviews. The Hugo Movie Companion - 1st Edition/1st Printing A behind the

scenes look at how a beloved book became a major motion picture; B&W Drawings; 8vo ; 255, [1] pages; Signed by Author. Price: \$50.63. Add to ... The Hugo Movie Companion: A Behind the Scenes Look ... The Hugo Movie Companion: A Behind the Scenes Look at how a Beloved Book Became a Major Motion Picture Hugo, Andrée-Anne Gratton. Author, Brian Selznick. The Hugo movie companion : a behind the scenes look at ... The Hugo movie companion : a behind the scenes look at how a beloved book became a major motion picture. Show more. Authors: Brian Selznick, Martin Scorsese ... The Hugo Movie Companion: A Behind the Scenes Look at ... Amazon.com: The Hugo Movie Companion: A Behind the Scenes Look at How a Beloved Book Became a Major Motion Picture: 9780545331555: Brian Selznick: □□□□□. The Hugo movie companion : a behind the scenes look at ... Jan 26, 2021 — The Hugo movie companion : a behind the scenes look at how a beloved book became a major motion picture. by: Selznick, Brian. Publication date ... The Hugo Movie Companion : A Behind the Scenes Look ... The Hugo Movie Companion : A Behind the Scenes Look at How a Beloved Book Became a Major Motion Picture (Hardcover). (4.5)4.5 stars out of 2 reviews2 reviews. PocketScan® Plus - User Manual - Actron This User's Manual describes the features of the Tool and provides step-by-step instructions for operating the Tool. Always refer to and follow safety messages ... PocketScan Plus ABS OBD-II and CAN - Actron CP9550. Prop 65 Cancer Causing Chemicals: Lead. Prop 65 Birth Defect Causing ... PDF icon Actron CP9660 User Manual. Software Updates: none. Images: Image icon ... Actron PocketScan Plus CP9550 User Manual | 12 pages Read online or download PDF Actron PocketScan Plus CP9550 User Manual. Actron PocketScan Plus CP9550 User Manual - Download Actron PocketScan Plus CP9550 User guide. Download PDF for free and without registration! Actron CP9550 User Manual Actron CP9550 User Manual ... This User's Manual describes the features of the Tool and provides step-by-step instructions for operating the Tool. Always refer to ... PocketScan Plus - CP9550 - YouTube Actron PocketScan® Plus CP9550 OBD II & CAN Code ... The Actron PocketScan® Plus OBD II & CAN Code Reader is the most advanced, powerful and compact code reader available! Diagnostic trouble codes and ... Tool Review. Actron CP9550 Code Reader - YouTube Actron user manuals download Download Actron user manuals, owners guides and PDF instructions. Customer reviews: Actron CP9550 PocketScan Plus This Actron CP9550 OBD II code reader delivers on everything it promises to do in the description here on Amazon. Circuits - Gizmo Lab Answers - Name Answers to the Circuits Gizmo Lab. All questions answered. name: date: student exploration: circuits vocabulary: ammeter, circuit, current, electron, Circuits Student Exploration Gizmo Worksheet - Name All the information needed for completeing the student exploration worksheet on the circuits gizmo. Answers can be used freely. Student Exploration: Circuits (gizmos) Flashcards Study with Quizlet and memorize flashcards containing terms like Suppose a single light bulb burns out. How do you think this will affect lights that are ... Circuit gizmo answers Circuit builder gizmo assessment answers. Gizmo circuit builder answers. Circuits gizmo answer key. Advanced circuit gizmo answers. Student Exploration: Circuits: Vocabulary: Ammeter, ... Name: Grayson Smith Date: 3/18/21. Student Exploration: Circuits. Vocabulary: ammeter, circuit, current, electron, ohmmeter,

Ohm's law, parallel circuit, SOLUTION: Student Exploration Circuits Gizmos Worksheet Our verified tutors can answer all questions, from basic math to advanced rocket science! ... key content concepts and personal experiences (6 points)/27 pts. Building Circuits Virtual Lab | ExploreLearning Gizmos Teach students about circuits with ExploreLearning Gizmos! Students use this ... Student Exploration Sheet. Google Doc MS Word PDF. Exploration Sheet Answer Key.