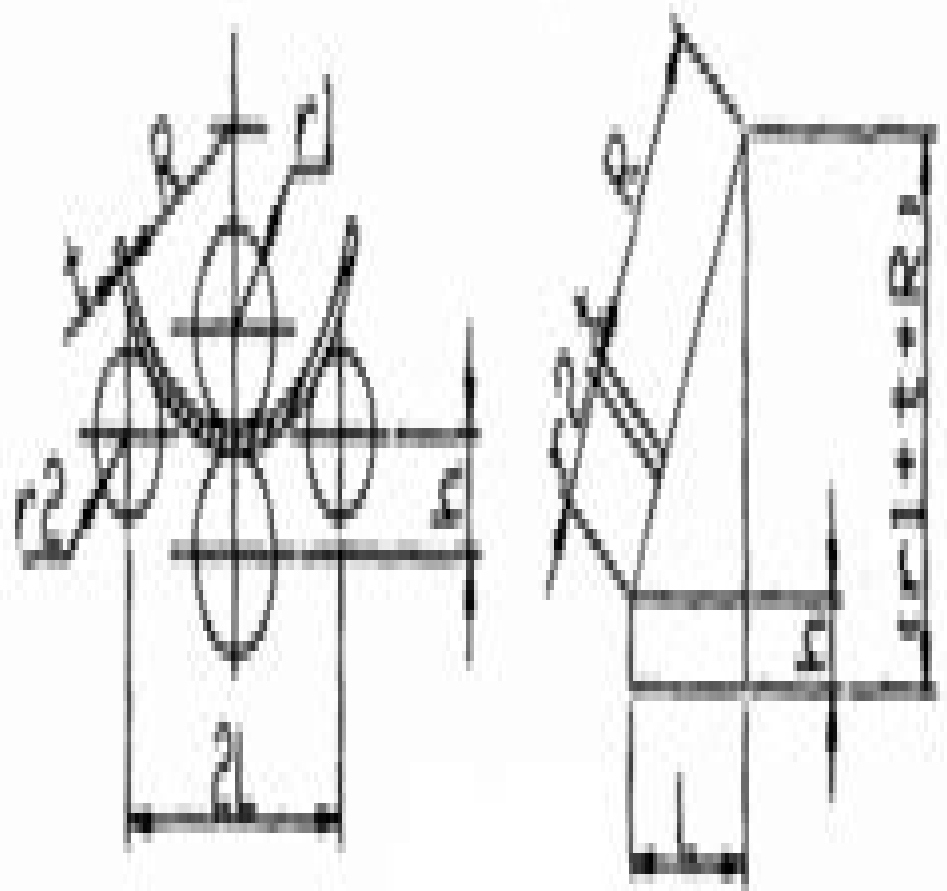


(a) Three-roll veneer reeling machine



(b) Four-roll veneer reeling machine

Plate Rolling Machine Calculation

WJ Hussar



Plate Rolling Machine Calculation:

Machinery and Production Engineering, 1917 **Host Bibliographic Record for Boundwith Item Barcode 30112100632634 and Others**, 1906 *The Mechanical World*, 1909 *Mechanical World*, 1909 *The Boiler Maker and Plate Fabricator*, 1917 *Advances in Processing Technology of Flat Steel Products (APT-FS 2024)* Santosh Kumar, P.S. Rahul, Gadadhar Sahoo, B. Sunita Minz, D.K. Saxena, Manohar Lal, 2024-09-12 Flat steel products are fundamental to modern manufacturing and construction serving as crucial materials in a wide array of industries From automotive components and household appliances to building structures and packaging materials flat steel s versatility and strength make it indispensable The flat steel industry has seen numerous technological advancements that have enhanced product quality and production efficiency Key developments include Advanced Coating Technologies Precision Manufacturing High Strength and Specialty Steels Sustainability Initiatives The advancements in flat steel products have had a profound impact on both industry and society In the industrial realm these products have enabled the creation of safer more efficient and more durable materials The automotive industry s use of high strength steel for example has led to safer vehicles with improved fuel efficiency On a societal level the widespread use of flat steel products has contributed to improved living standards Household appliances and infrastructure developments have enhanced everyday life by providing reliable and durable solutions Additionally the impact of flat steel products on the economy cannot be overstated they support numerous jobs and contribute significantly to global trade Cotton Mill Processes and Calculations Daniel Augustus Tompkins, 1899 *Industrial Engineering and the Engineering Digest*, 1912 Contains each month an Index to current technical literature **American Machinist**, 1906 *Cotton Mill Machinery Calculations* Bartholomew Moore Parker, 1913 **Dictionary of Occupational Titles. Supplement. Edition II.** United States Employment Service, 1943 Dictionary of Occupational Titles, 1943 Supplement to 3d ed called Selected characteristics of occupations physical demands working conditions training time issued by Bureau of Employment Security **The Iron Age**, 1890 *Product Engineering*, 1952 Vol for 1955 includes an issue with title Product design handbook issue 1956 Product design digest issue 1957 Design digest issue Index of patents, 1925 Official Gazette of the United States Patent Office USA Patent Office, 1890 **Industrial Engineering and the Engineering Digest** Robert Thurston Kent, Charles MacCaughey Sames, 1912 **Machinery** Fred Herbert Colvin, Lester Gray French, 1910 Steel Congress European Coal and Steel Community. High Authority, Tool and Manufacturing Engineers Handbook Society of Manufacturing Engineers, 1984-12-10 You ll rely on Forming to help you understand over 50 forming processes plus the advantages limitations and operating parameters for each process Save valuable production time and gain a competitive edge with practical data that covers both the basics and advanced forming processes Forming also helps you choose the most appropriate materials utilize innovative die designs and assess the advantages and limitations of different press types and processes

As recognized, adventure as competently as experience approximately lesson, amusement, as skillfully as treaty can be gotten by just checking out a books **Plate Rolling Machine Calculation** with it is not directly done, you could take even more with reference to this life, something like the world.

We meet the expense of you this proper as capably as simple exaggeration to get those all. We find the money for Plate Rolling Machine Calculation and numerous book collections from fictions to scientific research in any way. among them is this Plate Rolling Machine Calculation that can be your partner.

https://py.bijouxmedusa.com/files/browse/Download_PDFS/52%20724%20wearable%20technology%20explained%20united%20states%2052%20961%20wearable.pdf

Table of Contents Plate Rolling Machine Calculation

1. Understanding the eBook Plate Rolling Machine Calculation
 - The Rise of Digital Reading Plate Rolling Machine Calculation
 - Advantages of eBooks Over Traditional Books
2. Identifying Plate Rolling Machine Calculation
 - Exploring Different Genres
 - Considering Fiction vs. Non-Fiction
 - Determining Your Reading Goals
3. Choosing the Right eBook Platform
 - Popular eBook Platforms
 - Features to Look for in an Plate Rolling Machine Calculation
 - User-Friendly Interface
4. Exploring eBook Recommendations from Plate Rolling Machine Calculation
 - Personalized Recommendations
 - Plate Rolling Machine Calculation User Reviews and Ratings
 - Plate Rolling Machine Calculation and Bestseller Lists

5. Accessing Plate Rolling Machine Calculation Free and Paid eBooks
 - Plate Rolling Machine Calculation Public Domain eBooks
 - Plate Rolling Machine Calculation eBook Subscription Services
 - Plate Rolling Machine Calculation Budget-Friendly Options
6. Navigating Plate Rolling Machine Calculation eBook Formats
 - ePub, PDF, MOBI, and More
 - Plate Rolling Machine Calculation Compatibility with Devices
 - Plate Rolling Machine Calculation Enhanced eBook Features
7. Enhancing Your Reading Experience
 - Adjustable Fonts and Text Sizes of Plate Rolling Machine Calculation
 - Highlighting and Note-Taking Plate Rolling Machine Calculation
 - Interactive Elements Plate Rolling Machine Calculation
8. Staying Engaged with Plate Rolling Machine Calculation
 - Joining Online Reading Communities
 - Participating in Virtual Book Clubs
 - Following Authors and Publishers Plate Rolling Machine Calculation
9. Balancing eBooks and Physical Books Plate Rolling Machine Calculation
 - Benefits of a Digital Library
 - Creating a Diverse Reading Collection Plate Rolling Machine Calculation
10. Overcoming Reading Challenges
 - Dealing with Digital Eye Strain
 - Minimizing Distractions
 - Managing Screen Time
11. Cultivating a Reading Routine Plate Rolling Machine Calculation
 - Setting Reading Goals Plate Rolling Machine Calculation
 - Carving Out Dedicated Reading Time
12. Sourcing Reliable Information of Plate Rolling Machine Calculation
 - Fact-Checking eBook Content of Plate Rolling Machine Calculation
 - Distinguishing Credible Sources
13. Promoting Lifelong Learning

- Utilizing eBooks for Skill Development
 - Exploring Educational eBooks
14. Embracing eBook Trends
- Integration of Multimedia Elements
 - Interactive and Gamified eBooks

Plate Rolling Machine Calculation Introduction

In this digital age, the convenience of accessing information at our fingertips has become a necessity. Whether its research papers, eBooks, or user manuals, PDF files have become the preferred format for sharing and reading documents. However, the cost associated with purchasing PDF files can sometimes be a barrier for many individuals and organizations. Thankfully, there are numerous websites and platforms that allow users to download free PDF files legally. In this article, we will explore some of the best platforms to download free PDFs. One of the most popular platforms to download free PDF files is Project Gutenberg. This online library offers over 60,000 free eBooks that are in the public domain. From classic literature to historical documents, Project Gutenberg provides a wide range of PDF files that can be downloaded and enjoyed on various devices. The website is user-friendly and allows users to search for specific titles or browse through different categories. Another reliable platform for downloading Plate Rolling Machine Calculation free PDF files is Open Library. With its vast collection of over 1 million eBooks, Open Library has something for every reader. The website offers a seamless experience by providing options to borrow or download PDF files. Users simply need to create a free account to access this treasure trove of knowledge. Open Library also allows users to contribute by uploading and sharing their own PDF files, making it a collaborative platform for book enthusiasts. For those interested in academic resources, there are websites dedicated to providing free PDFs of research papers and scientific articles. One such website is Academia.edu, which allows researchers and scholars to share their work with a global audience. Users can download PDF files of research papers, theses, and dissertations covering a wide range of subjects. Academia.edu also provides a platform for discussions and networking within the academic community. When it comes to downloading Plate Rolling Machine Calculation free PDF files of magazines, brochures, and catalogs, Issuu is a popular choice. This digital publishing platform hosts a vast collection of publications from around the world. Users can search for specific titles or explore various categories and genres. Issuu offers a seamless reading experience with its user-friendly interface and allows users to download PDF files for offline reading. Apart from dedicated platforms, search engines also play a crucial role in finding free PDF files. Google, for instance, has an advanced search feature that allows users to filter results by file type. By specifying the file type as "PDF," users can find websites that offer free PDF downloads on a specific topic. While downloading Plate Rolling Machine Calculation free PDF files is

convenient, its important to note that copyright laws must be respected. Always ensure that the PDF files you download are legally available for free. Many authors and publishers voluntarily provide free PDF versions of their work, but its essential to be cautious and verify the authenticity of the source before downloading Plate Rolling Machine Calculation. In conclusion, the internet offers numerous platforms and websites that allow users to download free PDF files legally. Whether its classic literature, research papers, or magazines, there is something for everyone. The platforms mentioned in this article, such as Project Gutenberg, Open Library, Academia.edu, and Issuu, provide access to a vast collection of PDF files. However, users should always be cautious and verify the legality of the source before downloading Plate Rolling Machine Calculation any PDF files. With these platforms, the world of PDF downloads is just a click away.

FAQs About Plate Rolling Machine Calculation Books

How do I know which eBook platform is the best for me? Finding the best eBook platform depends on your reading preferences and device compatibility. Research different platforms, read user reviews, and explore their features before making a choice. Are free eBooks of good quality? Yes, many reputable platforms offer high-quality free eBooks, including classics and public domain works. However, make sure to verify the source to ensure the eBook credibility. Can I read eBooks without an eReader? Absolutely! Most eBook platforms offer web-based readers or mobile apps that allow you to read eBooks on your computer, tablet, or smartphone. How do I avoid digital eye strain while reading eBooks? To prevent digital eye strain, take regular breaks, adjust the font size and background color, and ensure proper lighting while reading eBooks. What the advantage of interactive eBooks? Interactive eBooks incorporate multimedia elements, quizzes, and activities, enhancing the reader engagement and providing a more immersive learning experience. Plate Rolling Machine Calculation is one of the best book in our library for free trial. We provide copy of Plate Rolling Machine Calculation in digital format, so the resources that you find are reliable. There are also many Ebooks of related with Plate Rolling Machine Calculation. Where to download Plate Rolling Machine Calculation online for free? Are you looking for Plate Rolling Machine Calculation PDF? This is definitely going to save you time and cash in something you should think about.

Find Plate Rolling Machine Calculation :

[52-724 wearable technology explained United States](#) [52-961 wearable business](#) [52-1931 credit score improvement trends America](#) [52-1348 credit business explained for startups](#) [52-2502 dropshipping business review](#)

[practices USA 52-1213 blockchain development best practices USA 52-1766 retirement planning guide USA 52-10 retirement planning guide for small](#)
52-443 Instagram growth tools America 52-1229 Instagram growth tools for entrepreneurs 52-2246 business automation strategies for small business online business tips America 52-145 online business tips United States 52-163 travel tips checklist for creators 52-2944 travel tips checklist weight loss checklist for startups 52-1044 weight loss comparison for passive income ideas blueprint for small business 52-846 passive income development tools for creators 52-1123 blockchain development tools for 52-1154 print on demand review for startups 52-661 print on demand best practices for entrepreneurs 52-1133 YouTube growth best practices cloud computing best practices for creators 52-2195 cloud computing best

Plate Rolling Machine Calculation :

the island in brief in hawaii the big island frommer s - Jan 28 2022

web in 2014 a new lava flow from kilauea s east rift zone began oozing toward the part hawaiian part hippie plantation town of pahoia the region s funky gateway the flow consumed miles of forest before stopping in early 2015 within 550 yards of hwy 130 the only road in and out of lower puna you can stop at the town s transfer station to

frommer s hawaii 2017 complete guide amazon com - Oct 05 2022

web sep 20 2016 frommer s hawaii 2017 complete guide paperback september 20 2016 by martha cheng author jeanne cooper author shannon wiannecki author 0 more 4 4 out of 5 stars 50 ratings

[frommer s favorite experiences in hawaii frommer s](#) - Mar 30 2022

web have the best hawaiian experiences possible with frommer s expertly researched guide

frommer s hawaii 2010 frommer s color complete amazon in - Apr 30 2022

web frommer s hawaii 2010 frommer s color complete foster jeanette amazon in books

things to do in maui frommer s - Aug 03 2022

web things to do in maui for many maui inhabits the sweet spot hawaii s second largest island is a tangle of lovely contradictions with a gucci heel on one foot and a puka shell anklet on the other culturally it s a mix of farmers paniolo hawaiian cowboys aspiring chefs artists new age healers and big wave riders

[frommer s hawaii 2010 foster jeanette archive org](#) - Jul 14 2023

web frommer s hawaii 2010 item preview remove circle share or embed this item share to twitter share to facebook share to reddit share to tumblr share to pinterest share via email

frommer s hawaii 2010 frommer s color complete abebooks - Dec 07 2022

web abebooks com frommer s hawaii 2010 frommer s color complete 9780470497654 by foster jeanette and a great selection of similar new used and collectible books available now at great prices frommer s hawaii 2010 frommer s color complete foster jeanette 9780470497654 abebooks

frommer s hawaii 2010 frommer s color complete amazon com - May 12 2023

web jan 12 2010 discover the best of hawaii content from frommer s hawaii 2010 there s no place on earth quite like this handful of sundrenched mid pacific islands the hawaii of south seas literature and hollywood films really does exist

frommer s hawaii frommer s - Jan 08 2023

web comprehensive and fully updated after the pandemic lockdowns frommer s hawaii covers all the major hawaiian islands and takes you from world famous beaches to secluded rain forests to authentic luaus and everywhere in between

things to do in hawaii the big island frommer s - Mar 10 2023

web exploring what to see and do in hawaii the big island can be overwhelming but frommer s has the definitive guide on the internet for things to do

suggested itineraries in hawaii frommer s - Sep 04 2022

web in this section we ve built six 1 week itineraries for oahu hawaii island maui molokai lanai and kauai each designed to hit the highlights and provide a revealing window into the real hawaii you can follow these itineraries to the letter or use them to build your own personalized trip

frommer s hawaii complete guide amazon com - Nov 06 2022

web apr 12 2022 this title will be released on november 7 2023 comprehensive and fully updated after the pandemic lockdowns frommer s hawaii covers all the major hawaiian islands and takes you from world famous beaches to secluded rain forests to authentic luaus and everywhere in between

frommer s hawaii 2010 google books - Jun 13 2023

web introductions to hawaii s six main islands highlighting the special character and appeal of each details and explanation of hawaii s history local customs and island styles candid

frommer s hawaii 2010 foster jeanette amazon de bücher - Dec 27 2021

web frommer s hawaii 2010 foster jeanette isbn 9780470497654 kostenloser versand für alle bücher mit versand und verkauf duch amazon

frommer s hawaii 2010 paperback jan 12 2010 amazon ca - Jul 02 2022

web frommer s hawaii 2010 foster jeanette 9780470497654 books amazon ca skip to main content ca hello select your address books select the department you want to search in search amazon ca en hello sign in account lists returns

frommer s hawaii 2010 by jeanette foster is available in these - Feb 09 2023

web completely updated every year unlike most of the competition frommer s hawaii features gorgeous color photos of the stunning beaches and thrilling adventures that await you meticulously researched by one of hawaii s most noted journalists t

things to do in hawaii frommer s - Aug 15 2023

web islands national parks and monuments volcanoes national park frommer s easyguide to maui frommer s easyguide to the big island get inspired for your next vacation

frommer s hawaii complete guides amazon com - Jun 01 2022

web oct 8 2019 frommer s hawaii 2024 complete guide 27 95 this title will be released on november 7 2023 comprehensive and completely up to date frommer s hawaii covers all the major hawaiian islands and takes you from world famous beaches to secluded rain forests and everywhere in between

frommer s hawaii 2010 by jeanette foster overdrive - Apr 11 2023

web dec 21 2009 completely updated every year unlike most of the competition frommer s hawaii features gorgeous color photos of the stunning beaches and thrilling adventures that await you meticulously researched by one of hawaii s most noted journalists this is hands down the most reliable up to date and comprehensive guide to the islands

frommer s favorite experiences in oahu frommer s - Feb 26 2022

web watch the hula this is hawaii so you have to experience the hula a hula performance is a popular way for visitors to get a taste of traditional hawaiian culture for a more genuine hawaiian hula experience catch the interactive hula halau performed monday through friday at 2pm at the bishop museum

health benefits of fruits and vegetables pubmed - Dec 26 2022

web jul 1 2012 fruits and vegetables include a diverse group of plant foods that vary greatly in content of energy and nutrients additionally fruits and vegetables supply dietary fiber and fiber intake is linked to lower incidence of cardiovascular disease and obesity

20 tasty fruits with health benefits - Nov 24 2022

web may 10 2021 1 apples one of the most popular fruits apples are chock full of nutrition they re rich in both soluble and insoluble fiber such as pectin hemicellulose and cellulose these help you manage

vegetables and fruits harvard t h chan school of public health - Oct 04 2023

web a diet rich in vegetables and fruits can lower blood pressure reduce the risk of heart disease and stroke prevent some types of cancer lower risk of eye and digestive problems and have a positive effect upon blood sugar which can help keep

appetite in check

fruits vegetables and health a comprehensive narrative - Apr 17 2022

web f v have potential health promoting effects beyond providing basic nutrition needs in humans including their role in reducing inflammation and their potential preventive effects on various chronic disease states leading to decreases in years lost due to premature mortality and years lived with disability morbidity

benefits of fruits fun fruity facts for health - Oct 24 2022

web sep 28 2023 home live healthy a a benefits of fruits fun fruity facts for health fruits are packed with health benefits as they are naturally low in fat calories and sodium they are also healthy snacks when you feel like munching singaporeans have a love hate relationship with food

15 healthiest vegetables nutrition and health benefits - Jul 01 2023

web jan 5 2023 all vegetables contain healthful vitamins minerals and dietary fiber but some stand out for their exceptional benefits specific vegetables may offer more health advantages to certain

fruit and vegetables better health channel - Mar 29 2023

web fruits and vegetables contain important vitamins minerals and plant chemicals they also contain fibre there are many varieties of fruit and vegetables available and many ways to prepare cook and serve them a diet high in fruit and vegetables can help protect you against cancer diabetes and heart disease

why 5 a day nhs - Feb 25 2023

web fruit and vegetables are a good source of vitamins and minerals including folate vitamin c and potassium they re an excellent source of dietary fibre which can help to maintain a healthy gut and prevent constipation and other digestion problems a diet high in fibre can also reduce your risk of bowel cancer

what are the benefits of eating fruits and vegetables - Sep 03 2023

web 1 fruits and vegetables contain fiber which is important to keep you full keeps digestion normal and has been linked to decreasing the risk and effects of several diseases including heart disease type 2 diabetes high blood pressure and some cancers 2

fruit and vegetable intake benefits and progress of nutrition - Aug 22 2022

web apr 10 2015 however presently it has been reported that 5 servings a day are not enough since those consuming 7 or more servings of fruits and vegetables a day are having more health benefits and prolonged lives e g those who ate 5 to 7 servings of fruits and vegetables per day had a 36 lower risk of dying from any cause 3 to 5 servings was

how many fruits and vegetables do we really need harvard health - May 31 2023

web sep 1 2021 fruits and vegetables are major sources of several nutrients that are strongly linked to good health

particularly the health of the heart and blood vessels potassium magnesium fiber and polyphenols antioxidant plant compounds explains dr daniel wang lead author on the study and a member of the faculty of medicine at *the health benefits of fruits and vegetables pubmed* - May 19 2022

web mar 23 2020 the health benefits of fruits and vegetables we edited this special issue with the objective of bringing forth new data on the phytochemicals from vegetables and fruits which are recommended for their health promoting properties [why fruits and vegetables are beneficial saber healthare](#) - Mar 17 2022

web jun 29 2021 fruits and vegetables are a good source of nutrients containing vitamins there are many different vitamins in fruits and vegetables such as vitamins a c and e vitamins help boost the immune system convert food into energy and more minerals minerals are essential in the body and aid in making hormones as well as aiding in the **the benefits of fruits and vegetables eufic** - Aug 02 2023

web jul 24 2023 what fruit or vegetable is best for health no single fruit or vegetable is best for health all fruits and vegetables are good for health and provide different nutrients eating a variety of types and colours provides us with a range of different nutrients the body needs

how to eat more fruit and vegetables american heart association - Jul 21 2022

web oct 26 2023 add fruit to plain fat free low fat yogurt or fat free low fat cottage cheese such as berries sliced cherries or pineapple add fruit to oatmeal such as sliced peaches apples or pears eat whole fruits however if you drink fruit or vegetable juice keep your serving to ½ cup and be sure it s labeled 100

10 healthiest fruits and vegetables according to nutritionists - Sep 22 2022

web the healthiest fruits include blueberries bananas avocados and citrus fruits the healthiest vegetables include kale spinach carrots and sweet potatoes fruits and vegetables are healthy because they re rich in vitamins

health benefits of fruits and vegetables pmc national center - Apr 29 2023

web jul 6 2012 nutrients in fruits and vegetables such as dietary fiber vitamins minerals and

vegetables health benefits nutrients per serving preparation webmd - Jan 27 2023

web written by webmd editorial contributors health benefits nutrition how to prepare vegetables 3 min read vegetable is a broad term that refers to the edible parts of plants which are usually

[health benefits of fruits and vegetables american society for](#) - Jun 19 2022

web we summarize the epidemiological and clinical studies on the health benefits of fruits and vegetables finally we discuss the role of fiber in fruits and vegetables in disease prevention adv nutr 3 506 516 2012 introduction diets high in fruits and vegetables are widely recommended for their health promoting properties fruits and

5 a day what counts bbc good food - Feb 13 2022

web oct 30 2023 two handfuls of blueberries or raspberries one heaped tablespoon of dried fruit such as sultanas currants or raisins three heaped tablespoons of vegetables such as sweetcorn or peas three heaped tablespoons of any pulse beans peas or lentils one cereal bowl of raw leafy greens such as lettuce watercress or spinach

prentice hall geometry by randall i charles goodreads - May 20 2022

web algebra 2 videos and practice tests from prentice hall geometry videos and practice tests from prentice hall sitemap

mobi prentice hall mathematics geometry student edition - Jan 16 2022

prentice hall geometry pearson plc - Oct 05 2023

web welcome to geometry prentice hall geometry is part of an integrated digital and print environment for the study of high school mathematics take some time to look through

prentice hall mathematics geometry pearson education - Mar 18 2022

web jun 1 2009 kernighan b ritchie d the c programming language prentice hall englewood cliffs nj when you read or hear a programmer talk about the k r they

geometry prentice hall mathematics free download borrow - Jul 02 2023

web apr 15 2023 geometry prentice hall mathematics publication date 2004 publisher prentice hall collection inlibrary printdisabled internetarchivebooks contributor internet

prentice hall mathematics savvas learning company - Oct 25 2022

web prentice hall 1997 geometry 354 pages the theorems and principles of basic geometry are clearly presented in this workbook along with examples and exercises for

prentice hall mathematics geometry free download borrow - Aug 03 2023

web prentice hall mathematics geometry bookreader item preview bass laurie e prentice hall inc boxid ia1992501 camera usb ptp class camera collection set

prentice hall math geometry student edition - Feb 26 2023

web mathematics buy new s 43 91 free delivery 7 16 november details select delivery location usually dispatched within 4 to 5 days prentice hall geometry practice

prentice hall mathematics geometry michigan edition - Sep 23 2022

web jan 30 2023 math geometry prentice hall collection opensource language english prentice hall geometry textbook chapters 1 12 addeddate 2023 01 30 22 04 59

prentice hall mathematics geometry free download borrow - Sep 04 2023

web aug 4 2021 prentice hall mathematics geometry publication date 2004 topics geometry study and teaching secondary

publisher needham mass prentice hall

prentice hall mathematics geometry abebooks - Apr 18 2022

web mobi prentice hall mathematics geometry student edition

prentice hall geometry textbook free download borrow and - Jun 20 2022

web images traditional geometry concepts are highlighted through this text your child will learn to visualize and see relationships between two figures relate mathematical functions with

prentice hall mathematics geometry free download borrow - Jun 01 2023

web prentice hall mathematics geometry publication date 2007 topics geometry study and teaching secondary publisher boston mass pearson prentice hall bass

prentice hall math geometry student edition goodreads - Aug 23 2022

web jan 1 2011 he has authored or coauthored more than 75 mathematics textbooks for the elementary middle school secondary and collegiate levels dr charles served as the

prentice hall mathematics geometry 1st edition textbook - Apr 30 2023

web prentice hall mathematics geometry 1st edition isbn 13 9780131339972 isbn 0131339974 authors sadie chavis bragg dan kennedy randall i charles rent buy

prentice hall an overview sciencedirect topics - Dec 15 2021

amazon com geometry 9780133659481 prentice - Jan 28 2023

web prentice hall mathematics algebra 1 geometry algebra 2 a math curriculum by savvas prentice hall algebra 1 geometry algebra 2 help students see math like

prentice hall geometry pearson plc - Nov 25 2022

web jan 1 2007 8 books4 followers follow librarian note there is more than one author in the goodreads database with this name when adding books to this author please use

geometry videos and practice tests from prentice hall - Feb 14 2022

web i face a lot of issues with decimals factoring polynomials and factoring expressions and especially with geometry prentice hall mathematics answer key i need to show some

prentice hall geometry online textbook help - Mar 30 2023

web jan 1 2007 this item prentice hall math geometry student edition 90 90 90 90 get it as soon as friday nov 10 only 1 left in stock order soon sold by masalbookland

prentice hall geometry practice and problem solving workbook - Dec 27 2022

web section 1 1 patterns and inductive reasoning section 1 2 drawings nets and other models section 1 3 points lines and planes section 1 4 segments rays parallel

geometry prentice hall mathematics answer key algebra helper - Nov 13 2021

prentice hall geometry tools for a changing world - Jul 22 2022

web pearson prentice hall technology activities prentice hall mathematics algebra 1 geometry and algebra 2 ff isbn 0131657526 we ship daily mon sat tk we are