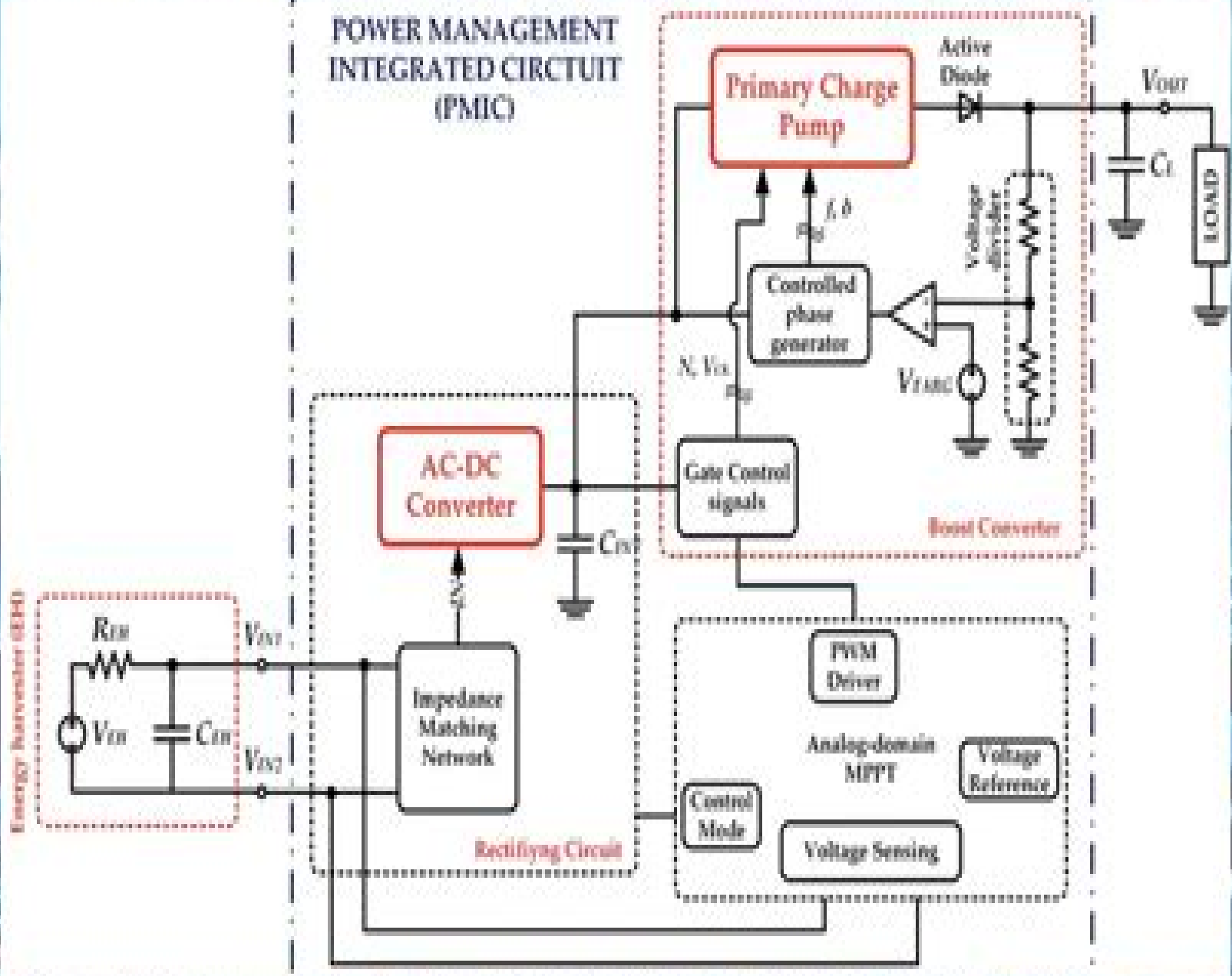


POWER MANAGEMENT INTEGRATED CIRCUIT (PMIC)



Power Management Integrated Circuit Analysis And Design

Jocim Rocklöv



Power Management Integrated Circuit Analysis And Design:

Power Management Integrated Circuit Analysis and Design Wing-Hung Ki, 2017-05-08 A timely one stop pioneering book presenting all four major power management integrated circuits Existing analog IC books usually focus on amplifier and comparator designs with some extend to switched capacitor filter designs and analog to digital and digital to analog converters design There is no book yet on power management integrated circuits Ki s book fills the void This self contained book discusses all fundamental concepts in switching converters low dropout regulators charge pumps and voltage references systematically and in the context of analog integrated circuit design Furthermore concepts are discussed in both qualitative and quantitative aspects Qualitative understanding is important in getting the essential operation of a circuit but quantitative analysis supplies the solid foundation on which qualitative discussion is based First book covering all four major power management circuits All concepts discussed in both qualitative and quantitative aspects Written as a self contained text well organized and systematic Authored by a pioneering scientist in the field Supplementary instructional materials available for lecturers MATLAB simulation code for readers to download and practice on their own

Design of Power Management Integrated Circuits Bernhard Wicht, 2024-05-14 Design of Power Management Integrated Circuits Comprehensive resource on power management ICs affording new levels of functionality and applications with cost reduction in various fields Design of Power Management Integrated Circuits is a comprehensive reference for power management IC design covering the circuit design of main power management circuits like linear and switched mode voltage regulators along with sub circuits such as power switches gate drivers and their supply level shifters the error amplifier current sensing and control loop design Circuits for protection and diagnostics as well as aspects of the physical design like lateral and vertical power delivery pin out floor planning grounding supply guidelines and packaging are also addressed A full chapter is dedicated to the design of integrated passives The text illustrates the application of power management integrated circuits PMIC to growth areas like computing the Internet of Things mobility and renewable energy Includes numerous real world examples case studies and exercises illustrating key design concepts and techniques Offering a unique insight into this rapidly evolving technology through the author s experience developing PMICs in both the industrial and academic environment Design of Power Management Integrated Circuits includes information on Capacitive inductive and hybrid DC DC converters and their essential circuit blocks covering error amplifiers comparators and ramp generators Sensing protection and diagnostics covering thermal protection inductive loads and clamping structures under voltage reference and power on reset generation Integrated MOS MOM and MIM capacitors integrated inductors Control loop design and PWM generation ensuring stability and fast transient response subharmonic oscillations in current mode control analysis and circuit design for slope compensation DC behavior and DC related circuit design covering power efficiency line and load regulation error amplifier dropout and power transistor sizing Commonly used level shifters including sizing rules and

cascaded tapered driver sizing and optimization guidelines Optimizing the physical design considering packaging floor planning EMI pinout PCB design and thermal design Design of Power Management Integrated Circuits is an essential resource on the subject for circuit designers IC designers system engineers and application engineers along with advanced undergraduate students and graduate students in related programs of study **Power Management Integrated Circuits** Amit Patra, Shailendra Baranwal, Ashis Maity, Samiran Dam, Syed Asif Eqbal, 2024-09-09 This book intends to be a comprehensive text on the topic of integrated circuits for power management putting together both theoretical foundations and practical details leading to successful design practices in research and industry It covers all the three main categories of power management circuits viz linear regulators inductor based switchers and switched capacitor circuits and presents detailed discussion of their common topologies operation and modeling Features Includes underlying theory and design implementation practical ingredients for power management integrated circuits PMICs Provides in depth analysis of topologies and circuits related to linear regulators switched capacitor converters and inductor based converters Covers all the relevant topics at the intersection between power electronics and integrated circuit design areas Provides guidelines for design of circuits and solutions for all the pertinent topologies Indicates all important issues and the related trade offs in the design of PMICs The book will be a valuable resource for senior and graduate level students as well as industry professionals who have done university level courses on analog circuit design control systems and power electronics *Power Management Integrated Circuits* Mona M. Hella, Patrick Mercier, 2017-12-19 Power Management Integrated Circuits and Technologies delivers a modern treatise on mixed signal integrated circuit design for power management Comprised of chapters authored by leading researchers from industry and academia this definitive text Describes circuit and architectural level innovations that meet advanced power and speed capabilities Explores hybrid inductive capacitive converters for wide range dynamic voltage scaling Presents innovative control techniques for single inductor dual output SIDO and single inductor multiple output SIMO converters Discusses cutting edge design techniques including switching converters for analog RF loads Compares the use of GaAs pHEMTs to CMOS devices for efficient high frequency switching converters Thus Power Management Integrated Circuits and Technologies provides comprehensive state of the art coverage of this exciting and emerging field of engineering **Power Management Integrated Circuits** Amit Patra, 2025 This book intends to be a comprehensive text on the topic of integrated circuits for power management putting together both theoretical foundations and practical details leading to successful design practices in research and industry It covers all the three main categories of power management circuits viz linear regulators inductor based switchers and switched capacitor circuits presenting detailed discussion of their common topologies operation and modeling Features Includes underlying theory and design implementation practical ingredients for Power Management Integrated Circuits PMICs Provides in depth analysis of topologies and circuits related to linear regulators switched capacitor converters and inductor based converters Covers all

the relevant topics at the intersection between power electronics and integrated circuit design areas Provide guidelines for design of circuits and solutions for all the pertinent topologies Indicate all important issues and the related trade offs in design of PMICs The book will be a valuable resource for senior and graduate level students as well as industry professionals who have done university level courses on analog circuit design control systems and power electronics *Designer's Handbook of Integrated Circuits* Arthur Bernard Williams,1984 **EDN.** ,1987 The Oryx Guide to Distance Learning William E. Burgess,1997 Provides informative descriptions of 4 200 media assisted courses offered by 420 accredited postsecondary institutions in the United States The courses are organized by state and then by institution Each entry includes institution address telephone and fax numbers geographic access area descriptions of the courses and delivery methods and information about accreditation admission requirements tuition credit awarded grade exam system and library services New to the second edition are 130 new institutions World Wide Web URLs e mail addresses and subject index cross references Annotation copyrighted by Book News Inc Portland OR

Design of Power Management Integrated Circuits Bernhard Wicht,2024-05-13 Design of Power Management Integrated Circuits Comprehensive resource on power management ICs affording new levels of functionality and applications with cost reduction in various fields Design of Power Management Integrated Circuits is a comprehensive reference for power management IC design covering the circuit design of main power management circuits like linear and switched mode voltage regulators along with sub circuits such as power switches gate drivers and their supply level shifters the error amplifier current sensing and control loop design Circuits for protection and diagnostics as well as aspects of the physical design like lateral and vertical power delivery pin out floor planning grounding supply guidelines and packaging are also addressed A full chapter is dedicated to the design of integrated passives The text illustrates the application of power management integrated circuits PMIC to growth areas like computing the Internet of Things mobility and renewable energy Includes numerous real world examples case studies and exercises illustrating key design concepts and techniques Offering a unique insight into this rapidly evolving technology through the author s experience developing PMICs in both the industrial and academic environment Design of Power Management Integrated Circuits includes information on Capacitive inductive and hybrid DC DC converters and their essential circuit blocks covering error amplifiers comparators and ramp generators Sensing protection and diagnostics covering thermal protection inductive loads and clamping structures under voltage reference and power on reset generation Integrated MOS MOM and MIM capacitors integrated inductors Control loop design and PWM generation ensuring stability and fast transient response subharmonic oscillations in current mode control analysis and circuit design for slope compensation DC behavior and DC related circuit design covering power efficiency line and load regulation error amplifier dropout and power transistor sizing Commonly used level shifters including sizing rules and cascaded tapered driver sizing and optimization guidelines Optimizing the physical design considering packaging floor planning EMI pinout PCB design and

thermal design Design of Power Management Integrated Circuits is an essential resource on the subject for circuit designers IC designers system engineers and application engineers along with advanced undergraduate students and graduate students in related programs of study *ElectronicsWeek* ,1984 **A Guide to the Literature of Electrical and Electronics Engineering** Susan Ardis,1987 *Peterson's Graduate Programs in Engineering and Applied Sciences*, 1996 Peterson's Guides,Peterson's Guides Staff,Peterson's,1995-12-10 Graduate students depend on this series and ask for it by name Why For over 30 years it s been the only one stop source that supplies all of their information needs The new editions of this six volume set contain the most comprehensive information available on more than 1 500 colleges offering over 31 000 master s doctoral and professional degree programs in more than 350 disciplines New for 1997 Non degree granting research centers institutes and training programs that are part of a graduate degree program Five discipline specific volumes detail entrance and program requirements deadlines costs contacts and special options such as distance learning for each program if available Each Guide features The Graduate Adviser which discusses entrance exams financial aid accreditation and more Interest in these fields has never been higher And this is the source to the 3 400 programs currently available from bioengineering and computer science to construction management *CMOS Nanoelectronics: Analog and RF VLSI Circuits* Krzysztof Iniewski,2011-07-19 In depth coverage of integrated circuit design on the nanoscale level Written by international experts in industry and academia CMOS Nanoelectronics addresses the state of the art in integrated circuit design in the context of emerging systems New exciting opportunities in body area networks wireless communications data networking and optical imaging are discussed This cutting edge guide explores emerging design concepts for very low power and describes design approaches for RF transceivers high speed serial links PLL DLL and ADC DAC converters CMOS Nanoelectronics covers Portable high efficiency polar transmitters All digital RF signal generation Frequency multiplier design Tunable CMOS RF filters GaAs HBT linear power amplifier design High speed serial I O design CDMA based crosstalk cancellation Delta sigma fractional N PLL Delay locked loops Digital clock generators Analog design in deep submicron CMOS technologies 1 f noise reduction for linear analog CMOS ICs Broadband high resolution bandpass sigma delta modulators Analog digital conversion specifications for power line communication systems Digital to analog converters for LCDs Sub 1 V CMOS bandgap reference design And much more **British Universities' Guide to Graduate Study** ,1992 **Proceedings of Technical Papers** ,1995 *Which Degree?* ,1985 *Catalogs of Courses* University of California, Berkeley,1994 Includes general and summer catalogs issued between 1878 1879 and 1995 1997 **Which Degree Guide** ,2001 [Dissertation Abstracts International](#) ,2005 [IFAC International Symposium on Systems Engineering Education in Developing Nations](#), 4-7 November 1974 ,1974

Delve into the emotional tapestry woven by Emotional Journey with in Experience **Power Management Integrated Circuit Analysis And Design** . This ebook, available for download in a PDF format (Download in PDF: *), is more than just words on a page; it's a journey of connection and profound emotion. Immerse yourself in narratives that tug at your heartstrings. Download now to experience the pulse of each page and let your emotions run wild.

<https://py.bijouxmedusa.com/book/uploaded-files/index.jsp/Luxury%20Travel%20Case%20Study%20For%20Creators%2036%202281%20Luxury%20Travel%20Checklist.pdf>

Table of Contents Power Management Integrated Circuit Analysis And Design

1. Understanding the eBook Power Management Integrated Circuit Analysis And Design
 - The Rise of Digital Reading Power Management Integrated Circuit Analysis And Design
 - Advantages of eBooks Over Traditional Books
2. Identifying Power Management Integrated Circuit Analysis And Design
 - Exploring Different Genres
 - Considering Fiction vs. Non-Fiction
 - Determining Your Reading Goals
3. Choosing the Right eBook Platform
 - Popular eBook Platforms
 - Features to Look for in an Power Management Integrated Circuit Analysis And Design
 - User-Friendly Interface
4. Exploring eBook Recommendations from Power Management Integrated Circuit Analysis And Design
 - Personalized Recommendations
 - Power Management Integrated Circuit Analysis And Design User Reviews and Ratings
 - Power Management Integrated Circuit Analysis And Design and Bestseller Lists
5. Accessing Power Management Integrated Circuit Analysis And Design Free and Paid eBooks
 - Power Management Integrated Circuit Analysis And Design Public Domain eBooks
 - Power Management Integrated Circuit Analysis And Design eBook Subscription Services

- Power Management Integrated Circuit Analysis And Design Budget-Friendly Options
- 6. Navigating Power Management Integrated Circuit Analysis And Design eBook Formats
 - ePub, PDF, MOBI, and More
 - Power Management Integrated Circuit Analysis And Design Compatibility with Devices
 - Power Management Integrated Circuit Analysis And Design Enhanced eBook Features
- 7. Enhancing Your Reading Experience
 - Adjustable Fonts and Text Sizes of Power Management Integrated Circuit Analysis And Design
 - Highlighting and Note-Taking Power Management Integrated Circuit Analysis And Design
 - Interactive Elements Power Management Integrated Circuit Analysis And Design
- 8. Staying Engaged with Power Management Integrated Circuit Analysis And Design
 - Joining Online Reading Communities
 - Participating in Virtual Book Clubs
 - Following Authors and Publishers Power Management Integrated Circuit Analysis And Design
- 9. Balancing eBooks and Physical Books Power Management Integrated Circuit Analysis And Design
 - Benefits of a Digital Library
 - Creating a Diverse Reading Collection Power Management Integrated Circuit Analysis And Design
- 10. Overcoming Reading Challenges
 - Dealing with Digital Eye Strain
 - Minimizing Distractions
 - Managing Screen Time
- 11. Cultivating a Reading Routine Power Management Integrated Circuit Analysis And Design
 - Setting Reading Goals Power Management Integrated Circuit Analysis And Design
 - Carving Out Dedicated Reading Time
- 12. Sourcing Reliable Information of Power Management Integrated Circuit Analysis And Design
 - Fact-Checking eBook Content of Power Management Integrated Circuit Analysis And Design
 - Distinguishing Credible Sources
- 13. Promoting Lifelong Learning
 - Utilizing eBooks for Skill Development
 - Exploring Educational eBooks
- 14. Embracing eBook Trends

- Integration of Multimedia Elements
- Interactive and Gamified eBooks

Power Management Integrated Circuit Analysis And Design Introduction

In this digital age, the convenience of accessing information at our fingertips has become a necessity. Whether its research papers, eBooks, or user manuals, PDF files have become the preferred format for sharing and reading documents. However, the cost associated with purchasing PDF files can sometimes be a barrier for many individuals and organizations. Thankfully, there are numerous websites and platforms that allow users to download free PDF files legally. In this article, we will explore some of the best platforms to download free PDFs. One of the most popular platforms to download free PDF files is Project Gutenberg. This online library offers over 60,000 free eBooks that are in the public domain. From classic literature to historical documents, Project Gutenberg provides a wide range of PDF files that can be downloaded and enjoyed on various devices. The website is user-friendly and allows users to search for specific titles or browse through different categories. Another reliable platform for downloading Power Management Integrated Circuit Analysis And Design free PDF files is Open Library. With its vast collection of over 1 million eBooks, Open Library has something for every reader. The website offers a seamless experience by providing options to borrow or download PDF files. Users simply need to create a free account to access this treasure trove of knowledge. Open Library also allows users to contribute by uploading and sharing their own PDF files, making it a collaborative platform for book enthusiasts. For those interested in academic resources, there are websites dedicated to providing free PDFs of research papers and scientific articles. One such website is Academia.edu, which allows researchers and scholars to share their work with a global audience. Users can download PDF files of research papers, theses, and dissertations covering a wide range of subjects. Academia.edu also provides a platform for discussions and networking within the academic community. When it comes to downloading Power Management Integrated Circuit Analysis And Design free PDF files of magazines, brochures, and catalogs, Issuu is a popular choice. This digital publishing platform hosts a vast collection of publications from around the world. Users can search for specific titles or explore various categories and genres. Issuu offers a seamless reading experience with its user-friendly interface and allows users to download PDF files for offline reading. Apart from dedicated platforms, search engines also play a crucial role in finding free PDF files. Google, for instance, has an advanced search feature that allows users to filter results by file type. By specifying the file type as "PDF," users can find websites that offer free PDF downloads on a specific topic. While downloading Power Management Integrated Circuit Analysis And Design free PDF files is convenient, its important to note that copyright laws must be respected. Always ensure that the PDF files you download are legally available for free. Many authors and publishers voluntarily provide free PDF versions of their work, but its essential to be cautious and verify the authenticity of the source

before downloading Power Management Integrated Circuit Analysis And Design. In conclusion, the internet offers numerous platforms and websites that allow users to download free PDF files legally. Whether its classic literature, research papers, or magazines, there is something for everyone. The platforms mentioned in this article, such as Project Gutenberg, Open Library, Academia.edu, and Issuu, provide access to a vast collection of PDF files. However, users should always be cautious and verify the legality of the source before downloading Power Management Integrated Circuit Analysis And Design any PDF files. With these platforms, the world of PDF downloads is just a click away.

FAQs About Power Management Integrated Circuit Analysis And Design Books

How do I know which eBook platform is the best for me? Finding the best eBook platform depends on your reading preferences and device compatibility. Research different platforms, read user reviews, and explore their features before making a choice. Are free eBooks of good quality? Yes, many reputable platforms offer high-quality free eBooks, including classics and public domain works. However, make sure to verify the source to ensure the eBook credibility. Can I read eBooks without an eReader? Absolutely! Most eBook platforms offer web-based readers or mobile apps that allow you to read eBooks on your computer, tablet, or smartphone. How do I avoid digital eye strain while reading eBooks? To prevent digital eye strain, take regular breaks, adjust the font size and background color, and ensure proper lighting while reading eBooks. What the advantage of interactive eBooks? Interactive eBooks incorporate multimedia elements, quizzes, and activities, enhancing the reader engagement and providing a more immersive learning experience. Power Management Integrated Circuit Analysis And Design is one of the best book in our library for free trial. We provide copy of Power Management Integrated Circuit Analysis And Design in digital format, so the resources that you find are reliable. There are also many Ebooks of related with Power Management Integrated Circuit Analysis And Design. Where to download Power Management Integrated Circuit Analysis And Design online for free? Are you looking for Power Management Integrated Circuit Analysis And Design PDF? This is definitely going to save you time and cash in something you should think about.

Find Power Management Integrated Circuit Analysis And Design :

[luxury travel case study for creators 36-2281 luxury travel checklist](#)

[services checklist for creators 36-2441 VPN services checklist for](#)

36-2745 home organization guide for startups 36-2835 home organization

36-1236 NFT marketplace software USA 36-1019 NFT marketplace software

[America 36-1056 business automation review for creators 36-1702 business Instagram growth step by step for startups 36-1538 Instagram growth income ideas comparison for creators 36-1591 passive income ideas work blueprint United States 36-372 remote work blueprint for creators 36-2532 wearable technology roadmap USA 36-2067 wearable technology step America 36-2176 minimalist lifestyle step by step USA 36-1481 review United States 36-2359 VPN services review United States 36-52 VPN vehicles roadmap for creators 36-2794 electric vehicles roadmap for business 36-1878 ecommerce trends blueprint for startups 36-761 tutorial for entrepreneurs 36-2013 remote jobs tutorial for small 36-616 coding for beginners explained USA 36-767 coding for beginners](#)

Power Management Integrated Circuit Analysis And Design :

free pdf download legacy ian king s training innovations - Aug 01 2022

web legacy ian king s training innovations concepts t 3 3 in this allegorical excursion william walcott explores the intersections between united states politics and the game

[pdf download legacy ian king s training innovations](#) - Jun 11 2023

web preparation book focuses on providing a framework of applied theory of physical preparation with focus on the dominant physical qualities to fully understand and

legacy ian king s training innovations concepts that have - Oct 03 2022

web right here we have countless books legacy ian king s training innovations concepts t and collections to check out we additionally offer variant types and moreover type of the

[pdf download legacy ian king s training innovations](#) - Jul 12 2023

web the sole dilemma with plr ebooks buy legacy ian king s training innovations concepts that have changed the way the world trains pdf is the fact that when you are

legacy insurance singapore legacy planning china taiping - Mar 28 2022

web ian king cited by 18 of university of the arts london london read 14 publications contact ian king

[legacy ian king s training innovations concepts t copy](#) - Jun 30 2022

web 2 legacy ian king s training innovations concepts t 2021 02 10 training studying the art and science of strength training and professional experience in writing strength

[legacy ian king s training innovations concepts t pdf](#) - Sep 02 2022

web legacy ian king s training innovations concepts t kings and queens jan 26 2021 one and two kings sep 02 2021 this volume provides a readable introduction to the

legacy ian king s training innovations concepts that - Sep 14 2023

web this book takes you to the source of many of the most influential training innovations in the world providing you with a collection of ian king s original and unique training

legacy ian king s training innovations concepts t full pdf - Dec 05 2022

web this online pronouncement legacy ian king s training innovations concepts t can be one of the options to accompany you taking into consideration having extra time it will

legacy ian king s training innovations concepts t jonathan - Nov 04 2022

web may 28 2023 legacy ian king s training innovations concepts that have changed the way the world trains english edition by ian king join that we have the funding for

legacy ian king s training innovations concepts t iain provan - Mar 08 2023

web legacy ian king s training innovations concepts t innovations in product training feb 03 2021 visualize a typical product training program large audiences death by

legacy ian king s training innovations concepts t copy ftp - Apr 28 2022

web 1 legacy planning as an intelligent asset diversification strategy you may use legacy insurance plan to protect the value of your diversified asset portfolio it can also amplify

legacy ian king s training innovations concepts that have - Nov 23 2021

legacy ian king s training innovations concepts t pdf free - May 10 2023

web jun 16 2023 osteopathy legacy ian king s training innovations concepts that ian king ian king books aging archives integrative osteopathy books by ian king author

dr ian king luxury law summit - Dec 25 2021

web jun 18 2023 coach king what do you think of crossfit blogger about us legacy us inc the team legacy concepts getbuffed author at get buffed legacy ian king s training

legacy ian king s training innovations - Oct 15 2023

web dec 5 2018 buy legacy ian king s training innovations concepts that have changed the way the world trains read kindle store reviews amazon com

legacy ian king s training innovations concepts that have - Aug 13 2023

web copy link for download read fullebook space book b0715cn987 buy legacy ian king s training innovations concepts [legacy ian king s training innovations concepts that have](#) - Apr 09 2023

web getting this info get the legacy ian king s training innovations concepts t associate that we provide here and check out the link you could purchase guide legacy ian king

ian king investopedia academy - Jan 26 2022

web ian started his career in the music business mainly organising tours and events in uk usa and europe a radical career change led him to become an academic in the arts

legacy ian king s training innovations concepts t pdf ian j king - Jan 06 2023

web legacy ian king s training innovations concepts t 5 5 fragment has produced a definitive edition and translation complete with comprehensive introductory chapters

legacy ian king s training innovations concepts t copy dotnbm - May 30 2022

web legacy ian king s training innovations concepts t is available in our digital library an online access to it is set as public so you can get it instantly our digital library spans in

ian king university of the arts london london london - Feb 24 2022

web ian king is an accomplished trader and entrepreneur with 20 years of financial markets and investment experience as founder of intellicoins he helps educate everyday investors to

downloadable free pdfs legacy ian king s training - Feb 07 2023

web jun 12 2023 legacy ian king s training innovations concepts t pdf yeah reviewing a book legacy ian king s training innovations concepts t pdf could build up your

[taxation act malawilii](#) - May 17 2023

web dec 31 2014 taxation act malawi malawi taxation act chapter 41 01 commenced on 1 january 1964 this is the version of this document at 31 december 2014 note this version of the act was revised and consolidated in

principles of taxation p6 icam - Nov 11 2022

web in this chapter a short outline of the malawi taxation is presented beginning with the definition of tax and taxation followed by a discussion of the various reasons why governing bodies world over impose taxes on its citizens

taxation amendment act 2018 malawilii - Mar 15 2023

web aug 24 2018 taxation amendment act 2018 document detail act 28 of 2018 copy date 24 august 2018 language the malawi legal information institute malawilii was launched in 2009 as an online resource that provides free access to the laws of malawi

value added tax act malawilii - Feb 02 2022

web aug 9 2005 imposition of value added tax 1 there is hereby imposed a tax to be known as value added tax in this act otherwise called value added tax which shall in accordance with this act be charged on a every supply of goods and services made in malawi b every importation of goods and

no 6 taxation amendment no 6 of 2022 commons laws africa - Dec 12 2022

web an act to amend the taxation act sawn enacted by the parliament of malawi as follows 1 this act may be cited as the taxation amendment act 2022 2 the taxation act hereinafter referred as the principal act is amended in section 2 by deleting the definitions of the words debt and equity 3

malawi corporate taxes on corporate income - Sep 09 2022

web apr 21 2023 malawi corporate taxes on corporate income last reviewed 21 april 2023 malawi does not have separate legislation for the determination of taxable income of different types of legal persons taxation of all income is included in the taxation act

taxation amendment act 2022 malawilii - Apr 16 2023

web mar 31 2022 taxation amendment act 2022 document detail history citations 1 report a problem jurisdiction malawi citation act 6 of 2022

taxation amendment act and vat amendment act 2020 mra - Feb 14 2023

web amendment of first schedule to the principal act an act to amend the value added tax act enacted by the parliament of malawi as follows 1 this act may be cited as the value added tax amendment act 2020 2 the va ue added tax act is amended in the first schedule by deleting paragraph ga

malawi revenue authority downloads mra - Jul 07 2022

web file size 130 92 kb applicable commercial rate for fringe benefit tax on employer provided concessional loans for the fourth quarter january to march 2023 file size 229 04 kb public notice on consumer price indices to dec 2022 file size 188 4 kb public notice on consumer price indices to oct 2022

taxation act malawi revenue authority home - Jun 18 2023

web malawi arising from a source within malawi and not attri butable to a permanent establishment of that person in malawi shall be liable to a final tax at the rate of a 15 per cent of the gross amount of such income b 15 per cent in relation to management fees and c 10 per cent in re ation to income derived from a mining project by way o

malawi revenue authority tax amendments gazetted mra - Oct 10 2022

web nov 16 2020 the taxation amendment act and the value added tax amendment act have been published in the malawi government gazette the amendment laws were assented to by president dr lazarus chakwera on 31 st october 2020 and gazetted on 3 rd november 2020

malawi revenue authority act malawilii - May 05 2022

web dec 31 2014 an act to provide for the establishment of the malawi revenue authority as a main body responsible for the assessment and collection on behalf of the government of specified revenue for the administration and enforcement of laws relating to such revenue and to provide for matters incidental thereto or connected therewith

131 the malawi gazette supplement dated 19th may 2023 - Aug 08 2022

web taxation act cap 41 01 income tax p a y e deduction rules 2023 and payment amendment rules gwengwe alfred in exercise of the minister powers of conferred finance by section economic 146 of affairs the taxation make act following sosten and payment 1

taxation act malawi revenue authority home - Sep 21 2023

web payment of tax by persons leaving malawi 111 security of payment of tax part xii penalties 112 liability for penalties 113 imposition of penalty 114 46 of 1963 an act to provide for the taxation of incomes and for purposes 12

no 1 commons laws africa - Jun 06 2022

web an act to amend the taxation act enacted by the parliament of malawi as follows 1 this act may be cited as the taxation amendment act 2018 and shall come into operation on 1st july 2018 2 section 2 of the taxation act hereinafter referred to as the principal act is amended

malawi revenue authority home - Jul 19 2023

web the taxation act hereinafter referred to as the principal act is amended by repealing section 91a and replacing thereof of s 91a to cap 41 the following new section 91 a presumptive notwithstanding any other provision of tax on this act a tax to be known as presumptive income tax on turnover shall be payable by any person whose inco

malawi publishes amendment acts for 2021 22 budget measures - Mar 03 2022

web sep 2 2021 the malawi revenue authority has published copies of the taxation amendment act 2021 and the value added tax amendment act 2021 which were originally published in the official gazette on 13 august 2021 and provide for the implementation of certain 2021 22 budget measures

malawi corporate deductions worldwide tax summaries online - Apr 04 2022

web apr 21 2023 malawi corporate deductions last reviewed 21 april 2023 taxable income is calculated by deducting allowable items from assessable income

taxation amendment 1 - Jan 13 2023

web an act to amend the taxation act enacted by the parliament of malawi as follows this act may be cited as the taxation amendment act short title 2020 2

taxation act malawilii - Aug 20 2023

web 1 an amount shall be deemed to have accrued to any person from a source within malawi whenever it has been received by or has accrued to or in favour of such person as a remuneration for any services rendered or work of labour done by such person in the carrying on in malawi of any trade whether the payment for such service or work or

download your appliance manual whirlpool service - Jan 12 2022

web washing machines washer dryers tumble dryers dishwashers appliances dishwashers dishwashers integrated dishwashers slimline dishwashers cooling appliances cooling fridge freezers fridges integrated fridge freezer freezers cooking appliances cooking ovens gas electric hoods hobs register appliance

quick start guide whirlpool top loading washing machine - Jan 24 2023

web of water as with older less efficient washing machines it is normal for some of the load to be above the water line for detailed installation instruction and maintenance information winter storage and transportation tips please see the owner's manual included with your machine a cycle guide for your washer can

user manual whirlpool wtw5010lw english 21 pages - Apr 14 2022

web below you will find the product specifications and the manual specifications of the whirlpool wtw5010lw the whirlpool wtw5010lw is a washing machine that offers efficient and reliable performance designed to handle various laundry loads this washer is equipped with a spacious drum that can accommodate large items such as bedding and

top load washer owner's manual manuel de l'utilisateur whirlpool - Aug 19 2022

web top load washer owner's manual manuel de l'utilisateur de la laveuse À chargement par le dessus w11436596a washer safety your safety and the safety of others are very important we have provided many important safety messages in this manual and on your appliance always read and obey all safety

whirlpool washing machine instructions for use manual - Feb 22 2023

web whirlpool washing machine instructions for use manual pdf download manualslib manuals brands whirlpool manuals washer full electronic washing machine instructions for use manual whirlpool washing machine instructions for use manual top loading washing machine also see for washing machine user

whirlpool full electronic washing machine user manual - Jul 18 2022

web whirlpool full electronic washing machine user manual full electronic washing machine also see for full electronic washing machine user manual 14 pages use care manual 12 pages instructions for use manual 11 pages 1 table of contents 2 3 4 5 6 7 8 9 10 11 12 13 14 15 16 17 18 19 20 21 22 23 24

whirlpool washing machine user manual pdf download manualslib - May 28 2023

web view and download whirlpool washing machine user manual online front loading washing machine washing machine washer pdf manual download also for awm 6100

quick start guide whirlpool - Dec 23 2022

web step 1 add step 2 load clothes he detergent for best results load garments in loose designed to use only he heaps evenly around the basket wall high efficiency detergents note see adding laundry products below for more information on adding he detergent fabric softener and or bleach step 3 press

whirlpool front loading washing machine owners manual - Feb 10 2022

web whirlpool front loading washing machine user manual view and read online est reading time 27 minutes front loading washing machine washer manuals and instructions online

[user manual whirlpool wtw8127lc english 32 pages](#) - Mar 14 2022

web view the manual for the whirlpool wtw8127lc here for free this manual comes under the category washing machines and has been rated by 1 people with an average of a 8 6 this manual is available in the following languages english do you have a question about the whirlpool wtw8127lc or do you need help ask your question here

whirlpool washing machine free pdf manuals download manualslib - Apr 26 2023

web view and download whirlpool washing machine manuals for free top loading washing machine instructions manual

whirlpool washing machine manuals - Mar 26 2023

web on manuals co uk are currently 1220 whirlpool manuals available the most popular whirlpool washing machine are whirlpool 6th sense infinitecare awo 174s3 whirlpool wtw5057lw whirlpool best zen 8 the last added whirlpool manual has been added on 2023 09 19 and is the whirlpool fwdg96148sbs

where can i find the manual for my appliance whirlpool - Sep 19 2022

web where can i find the manual for my whirlpool appliance visit our manuals and literature page to locate owner s manuals owners manuals warranty documents installation instructions parts lists and energy guides

whirlpool washer user manuals download manualslib - Jul 30 2023

web download 2841 whirlpool washer pdf manuals user manuals whirlpool washer operating guides and service manuals

front load washer owner s manual manuel de l utilisateur whirlpool - Oct 21 2022

web installation instructions 9 requirements 9 tools and parts 9 location requirements 10 drain system 1 electrical requirements 12 installation 12 unpacking 12 connect drain hose 13 connect inlet hoses 14 level washer 15 complete installation checklist 16 sécurité de la laveuse 17 sécurité de la laveuse 17 guide de connexion internet 18

[kitchen and laundry appliance manuals whirlpool](#) - Jun 28 2023

web download kitchen and laundry appliance manuals from whirlpool can t find your appliance use and care guide enter your model number above to find owner manuals for whirlpool washers dryers dishwashers refridgerators freezers ice makers ovens ranges stovetops microwaves and more

front load washer quick start guide whirlpool - Nov 21 2022

web step 1 add he detergent note see the adding laundry products section in your owner s manual for more information on adding he detergent fabric softener and or bleach step 2 load clothes add load loosely items need to move freely for best cleaning step 3 turn power on step 4 close door then select cycle and settings step 5

instructions for use whirlpool uk - Aug 31 2023

web whirlpool s user manuals are included with your product on delivery you can also download your user manual here to find your user manual simply enter all or part of the model number of your appliance this is shown on the service sticker of your whirlpool appliance e g wwdc 9444

user manual whirlpool wtw8127lw english 32 pages - Jun 16 2022

web give review pdf manual 32 pages english manual whirlpool wtw8127lw washer installation care instruction manual manuel d instruction d installation et d entretien de la laveuse manual de instrucciones para la instalaciÓn y el cuidado de la lavadora w11197727a table of

home and kitchen appliance manuals whirlpool - May 16 2022

web find whirlpool appliance manuals for your kitchen and laundry appliances we make it easy to download official whirlpool manuals for quick troubleshooting