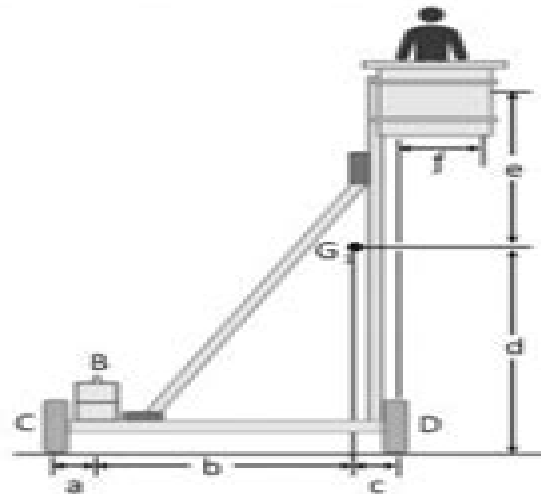


1. The platform assembly shown in the figure has a weight $W_1 = 1\text{kN}$ and center of gravity at G_1 . If it is intended to support a maximum load $W_2 = 1.6\text{kN}$ a placed at point G_2 . Determine the smallest counterweight W that should be placed at B in order to prevent the platform from tipping over. Take $a = 0.5\text{m}$, $b = 3\text{m}$, $c = 0.5\text{m}$, $d = 4\text{m}$, $e = 3\text{m}$ and $f = 1\text{m}$



- A. $W = 159\text{ N}$ upwards
- B. $W = 653\text{ N}$ upwards
- C. $W = 357\text{ N}$ downwards
- D. $W = 314\text{ N}$ downwards
- E. $W = 592\text{ N}$ downwards

Solution

The correct answer is **D**.

The platform assembly shown in the figure has a weight $W_1 = 1\text{kN}$ and center of gravity at G_1 . If it is intended to support a maximum load $W_2 = 1.6\text{kN}$ a placed at point G_2 , determine the smallest counterweight W that should be placed at B in order to prevent the platform from tipping over.

Take $a = 0.5\text{m}$, $b = 3\text{m}$, $c = 0.5\text{m}$, $d = 4\text{m}$, $e = 3\text{m}$ and $f = 1\text{m}$

Fe Engineering Exam Examples

D Keegan



Fe Engineering Exam Examples:

FE/EIT Sample Examinations Michael R. Lindeburg, 1999 Designed to prepare you for the FE exam FE EIT Sample Examinations simulates the actual FE exam in every aspect from the format and level of difficulty to the number of problems and the distribution of problems across exam topics The most realistic practice for the FE exam 2 complete sample exams 120 morning and 60 general afternoon problems on each exam Multiple choice format just like the exam with solutions Increase your comfort level of solving problems in SI units Mentally prepare for the pressure of working under timed conditions Fundamentals of Engineering Examination Review 2001-2002 Edition Donald G. Newnan, 2004 Perfect for anyone students or engineers preparing for the FE exam Endorsed by a former Director of Exams from the NCEES Describes exam structure exam day strategies exam scoring and passing rate statistics All problems in SI units in line with the new exam format Covers all the topics on the FE exam carefully matching exam structure Mathematics Statics Dynamics Mechanics of Materials Fluid Mechanics Thermodynamics Electrical Circuits Materials Engineering Chemistry Computers Ethics and Engineering Economy Each chapter is written by an expert in the field contains a thorough review of the topic as covered on the test and ends with practice problems and detailed solutions Includes a complete eight hour sample exam with 120 morning AM questions 60 general afternoon PM questions and complete step by step solutions to all problems 918 problems total 60% text 40% problems and solutions **The Best Test Preparation & Review Course FE/EIT**

Fundamentals of Engineering/engineering-in-training John Presti, George Wetzell, James Colaizzi, 1999 This test prep book includes two full length practice tests with explanations for every answer Detailed review chapters provide sample problems and solutions as well as an overview of the test subjects Designed to assess students knowledge of engineering subjects ranging from chemistry to thermodynamics A thorough preparation for students taking the FE PM General exam

PPI FE Review Manual: Rapid Preparation for the Fundamentals of Engineering Exam, 3rd Edition eText - 1 Year Michael R. Lindeburg, 2010-10-21 Michael R Lindeburg PE s FE Review Manual 3rd Edition FE Review Manual offers a complete review for the FE exam This book is part of a comprehensive learning management system designed to help you pass the FE exam the first time This book includes equations figures and tables from the NCEES FE Reference Handbook to familiarize you with the reference you ll have on exam day 13 diagnostic exams to assess your grasp of knowledge areas covered in each chapter concise explanations supported by exam like example problems with step by step solutions to reinforce the theory and application of fundamental concepts access to a fully customizable study schedule to keep your studies on track a robust index with thousands of terms to facilitate referencing Topics Covered Computational Tools Dynamics Kinematics and Vibrations Electricity and Magnetism Engineering Economics Ethics and Professional Practice Fluid Mechanics Heat Transfer Material Properties and Processing Mathematics Materials Measurement Instrumentation and Controls Mechanical Design and Analysis Mechanics of Materials Probability and Statistics Statics Thermodynamics

EIT Industrial Review Donovan Young,2003-09-18 This guide is written for the afternoon FE EIT Industrial Exam and reviews each topic with numerous example problems and complete step by step solutions End of chapter problems with solutions and a complete sample exam with solutions are provided Topics covered Production Planning and Scheduling Engineering Economics Engineering Statistics Statistical Quality Control Manufacturing Processes Mathematical Optimization and Modeling Simulation Facility Design and Location Work Performance and Methods Manufacturing Systems Design Industrial Ergonomics Industrial Cost Analysis Material Handling System Design Total Quality Management Computer Computations and Modeling Queuing Theory and Modeling Design of Industrial Experiments Industrial Management Information System Design Productivity Measurement and Management 101 problems with complete solutions SI Units

Fe Exam Flashcard Study System ,2010 **The Best Test Preparation & Review Course FE/EIT Fundamentals of Engineering/engineer-in-training** Clyde Granger,Michael Riordan,James Colaizzi,2000 This thorough study guide provides comprehensive review material and practice questions specific to chemical engineering Two full length practice tests are designed to prepare students for the FE PM exam in chemical engineering Detailed explanations to every question are included Topics covered include heat transfer chemical thermodynamics and more Study Guide.

Fundamentals of Engineering Economics Chan S. Park,2004 Includes more than 200 completely worked out solutions and sample FE exam test questions The Best Test Preparation for the Fundamentals of Engineering Examination Research and Education Association,1991 **Industrial Discipline-specific Review for the FE/EIT Exam** ,1998 The FE exam the first in the two part engineering licensing process is taken typically by upper level students or recent graduates in April or October This eight hour exam is closed book except for a handout provided in the examination room The exam is divided into morning and afternoon sessions The morning exam with 120 multiple choice problems is the same for everyone In the afternoon examinees must choose to take a discipline specific DS or a general exam each with 60 multiple choice problems The Discipline Specific Reviews are used to study for the afternoon DS exams **Fundamentals of Engineering** Merle C. Potter,1999 Fe Exam Secrets Study Guide Fe Exam Secrets Test Prep Team,2015-02-25 FTCE Agriculture 6 12 Flashcard Study System uses repetitive methods of study to teach you how to break apart and quickly solve difficult test questions on the Florida Teacher Certification Examinations Study after study has shown that spaced repetition is the most effective form of learning and nothing beats flashcards when it comes to making repetitive learning fun and fast Our flashcards enable you to study small digestible bits of information that are easy to learn and give you exposure to the different question types and concepts FTCE Agriculture 6 12 Flashcard Study System covers all of the most important topics that you ll need to know to be successful on test day Fundamentals of Engineering ,2005 **Contemporary Engineering Economics** Chan S. Park,2011 Contemporary Engineering Economics 5 e is intended for undergraduate engineering students taking introductory engineering economics while appealing to the full range of engineering disciplines for which this course is often required

industrial civil mechanical electrical computer aerospace chemical and manufacturing engineering as well as engineering technology This edition has been thoroughly revised and updated while continuing to adopt a contemporary approach to the subject and teaching of engineering economics This text aims not only to build a sound and comprehensive coverage of engineering economics but also to address key educational challenges such as student difficulty in developing the analytical skills required to make informed financial decisions

Fundamentals of Engineering FE Civil All-in-One Exam Guide
Indranil Goswami,2018-03-23 This highly effective study guide offers 100% coverage of every subject on the FE Civil exam This self study resource contains all of the information you need to prepare for and pass the challenging FE Civil exam on the first try The book features clear explanations of every topic on the exam as well as hands on exam strategies and accurate practice problems with fully worked solutions Organized to follow the order of the official exam syllabus the book includes references to the official FE Reference Handbook along with tips on how to utilize that resource during the exam itself Written by a leading civil engineering educator and exam coach Fundamentals of Engineering FE Civil All in One Exam Guide helps you pass the exam with ease Contains complete coverage of all objectives for the FE Civil exam Follows the exact order of the official exam syllabus Written by an experienced educator and researcher

Fundamentals of Engineering Supplied-reference Handbook National Council of Examiners for Engineering and Surveying,2008

Engineering Economy Leland T. Blank,Anthony Tarquin,2005 Distinguishing pedagogical characteristics of this market leading text include its easy to read writing style chapter objectives worked examples integrated spreadsheets case studies Fundamentals of Engineering FE exam questions and numerous new end of chapter problems Graphical cross referencing is indicated so users are able to locate additional material on any one subject in the text Quick solve Q Solv and Excel solve E Solve icons found in the text indicate the difficulty of a problem example or spreadsheet pub desc

FE Exam Review Myron E. Sveum,2006 Many examinees find the electrical and computer engineering sections of the general FE exam to be most the most challenging Now you can get the extra review and practice you need to meet this challenge through a concise review of the electrical and computer topics covered on the general morning and afternoon FE exams Supplement your electrical and computer engineering knowledge Over 100 multiple choice problems with solutions just like the exam Over 150 solved example problems Over 225 key charts graphs tables and figures Improve your confidence and problem solving skills

Since 1975 more than 2 million people preparing for their engineering surveying architecture LEED interior design and landscape architecture exams have entrusted their exam prep to PPI For more information visit us at www.ppi2pass.com

Ppi Fe Civil Exams--Five Full Practice Exams with Step-By-Step Solutions Mohammad Iqbal,Ali Iqbal,2021-03-22 The new FE Civil Exams book includes five full practice exams containing 550 problems designed to reinforce your understanding of civil engineering concepts and equations found in the NCEES FE Reference Handbook Solutions are provided for all problems so you can review problem solving methods Also included is a detailed appendix to

help you find each solution s related equations and engineering concepts in the NCEES Handbook Features Include Provides
five 110 question practice exams A mix of multiple choice questions and alternative item types AITs to give you realistic exam
practice Problems are designed to be solved in three minutes or less to demonstrate the format and difficulty of the exam
Topics Covered Mathematics and Statistics Ethics and Professional Practice Engineering Economics Statics Dynamics
Mechanics of Materials Materials Fluid Mechanics Surveying Water Resources and Environmental Engineering Structural
Engineering Geotechnical Engineering Transportation Engineering Construction Engineering **Study Guide for**
Professional Registration of Mining/minerals Engineers ,1984

Fe Engineering Exam Examples Book Review: Unveiling the Magic of Language

In a digital era where connections and knowledge reign supreme, the enchanting power of language has become much more apparent than ever. Its capability to stir emotions, provoke thought, and instigate transformation is really remarkable. This extraordinary book, aptly titled "**Fe Engineering Exam Examples**," compiled by a very acclaimed author, immerses readers in a captivating exploration of the significance of language and its profound effect on our existence. Throughout this critique, we will delve into the book's central themes, evaluate its unique writing style, and assess its overall influence on its readership.

https://py.bijouxmedusa.com/data/virtual-library/default.aspx/services_ideas_for_small_business_76_1460_vpn_services_ideas_for.pdf

Table of Contents Fe Engineering Exam Examples

1. Understanding the eBook Fe Engineering Exam Examples
 - The Rise of Digital Reading Fe Engineering Exam Examples
 - Advantages of eBooks Over Traditional Books
2. Identifying Fe Engineering Exam Examples
 - Exploring Different Genres
 - Considering Fiction vs. Non-Fiction
 - Determining Your Reading Goals
3. Choosing the Right eBook Platform
 - Popular eBook Platforms
 - Features to Look for in an Fe Engineering Exam Examples
 - User-Friendly Interface
4. Exploring eBook Recommendations from Fe Engineering Exam Examples
 - Personalized Recommendations
 - Fe Engineering Exam Examples User Reviews and Ratings
 - Fe Engineering Exam Examples and Bestseller Lists

5. Accessing Fe Engineering Exam Examples Free and Paid eBooks
 - Fe Engineering Exam Examples Public Domain eBooks
 - Fe Engineering Exam Examples eBook Subscription Services
 - Fe Engineering Exam Examples Budget-Friendly Options
6. Navigating Fe Engineering Exam Examples eBook Formats
 - ePub, PDF, MOBI, and More
 - Fe Engineering Exam Examples Compatibility with Devices
 - Fe Engineering Exam Examples Enhanced eBook Features
7. Enhancing Your Reading Experience
 - Adjustable Fonts and Text Sizes of Fe Engineering Exam Examples
 - Highlighting and Note-Taking Fe Engineering Exam Examples
 - Interactive Elements Fe Engineering Exam Examples
8. Staying Engaged with Fe Engineering Exam Examples
 - Joining Online Reading Communities
 - Participating in Virtual Book Clubs
 - Following Authors and Publishers Fe Engineering Exam Examples
9. Balancing eBooks and Physical Books Fe Engineering Exam Examples
 - Benefits of a Digital Library
 - Creating a Diverse Reading Collection Fe Engineering Exam Examples
10. Overcoming Reading Challenges
 - Dealing with Digital Eye Strain
 - Minimizing Distractions
 - Managing Screen Time
11. Cultivating a Reading Routine Fe Engineering Exam Examples
 - Setting Reading Goals Fe Engineering Exam Examples
 - Carving Out Dedicated Reading Time
12. Sourcing Reliable Information of Fe Engineering Exam Examples
 - Fact-Checking eBook Content of Fe Engineering Exam Examples
 - Distinguishing Credible Sources
13. Promoting Lifelong Learning

- Utilizing eBooks for Skill Development
 - Exploring Educational eBooks
14. Embracing eBook Trends
- Integration of Multimedia Elements
 - Interactive and Gamified eBooks

Fe Engineering Exam Examples Introduction

Fe Engineering Exam Examples Offers over 60,000 free eBooks, including many classics that are in the public domain. Open Library: Provides access to over 1 million free eBooks, including classic literature and contemporary works. Fe Engineering Exam Examples Offers a vast collection of books, some of which are available for free as PDF downloads, particularly older books in the public domain. Fe Engineering Exam Examples : This website hosts a vast collection of scientific articles, books, and textbooks. While it operates in a legal gray area due to copyright issues, its a popular resource for finding various publications. Internet Archive for Fe Engineering Exam Examples : Has an extensive collection of digital content, including books, articles, videos, and more. It has a massive library of free downloadable books. Free-eBooks Fe Engineering Exam Examples Offers a diverse range of free eBooks across various genres. Fe Engineering Exam Examples Focuses mainly on educational books, textbooks, and business books. It offers free PDF downloads for educational purposes. Fe Engineering Exam Examples Provides a large selection of free eBooks in different genres, which are available for download in various formats, including PDF. Finding specific Fe Engineering Exam Examples, especially related to Fe Engineering Exam Examples, might be challenging as theyre often artistic creations rather than practical blueprints. However, you can explore the following steps to search for or create your own Online Searches: Look for websites, forums, or blogs dedicated to Fe Engineering Exam Examples, Sometimes enthusiasts share their designs or concepts in PDF format. Books and Magazines Some Fe Engineering Exam Examples books or magazines might include. Look for these in online stores or libraries. Remember that while Fe Engineering Exam Examples, sharing copyrighted material without permission is not legal. Always ensure youre either creating your own or obtaining them from legitimate sources that allow sharing and downloading. Library Check if your local library offers eBook lending services. Many libraries have digital catalogs where you can borrow Fe Engineering Exam Examples eBooks for free, including popular titles. Online Retailers: Websites like Amazon, Google Books, or Apple Books often sell eBooks. Sometimes, authors or publishers offer promotions or free periods for certain books. Authors Website Occasionally, authors provide excerpts or short stories for free on their websites. While this might not be the Fe Engineering Exam Examples full book , it can give you a taste of the authors writing style. Subscription Services Platforms like Kindle Unlimited or Scribd offer subscription-based access to a wide range of Fe Engineering Exam Examples

eBooks, including some popular titles.

FAQs About Fe Engineering Exam Examples Books

What is a Fe Engineering Exam Examples PDF? A PDF (Portable Document Format) is a file format developed by Adobe that preserves the layout and formatting of a document, regardless of the software, hardware, or operating system used to view or print it. **How do I create a Fe Engineering Exam Examples PDF?** There are several ways to create a PDF: Use software like Adobe Acrobat, Microsoft Word, or Google Docs, which often have built-in PDF creation tools. Print to PDF: Many applications and operating systems have a "Print to PDF" option that allows you to save a document as a PDF file instead of printing it on paper. Online converters: There are various online tools that can convert different file types to PDF. **How do I edit a Fe Engineering Exam Examples PDF?** Editing a PDF can be done with software like Adobe Acrobat, which allows direct editing of text, images, and other elements within the PDF. Some free tools, like PDFescape or Smallpdf, also offer basic editing capabilities. **How do I convert a Fe Engineering Exam Examples PDF to another file format?** There are multiple ways to convert a PDF to another format: Use online converters like Smallpdf, Zamzar, or Adobe Acrobats export feature to convert PDFs to formats like Word, Excel, JPEG, etc. Software like Adobe Acrobat, Microsoft Word, or other PDF editors may have options to export or save PDFs in different formats. **How do I password-protect a Fe Engineering Exam Examples PDF?** Most PDF editing software allows you to add password protection. In Adobe Acrobat, for instance, you can go to "File" -> "Properties" -> "Security" to set a password to restrict access or editing capabilities. Are there any free alternatives to Adobe Acrobat for working with PDFs? Yes, there are many free alternatives for working with PDFs, such as: LibreOffice: Offers PDF editing features. PDFsam: Allows splitting, merging, and editing PDFs. Foxit Reader: Provides basic PDF viewing and editing capabilities. How do I compress a PDF file? You can use online tools like Smallpdf, ILovePDF, or desktop software like Adobe Acrobat to compress PDF files without significant quality loss. Compression reduces the file size, making it easier to share and download. Can I fill out forms in a PDF file? Yes, most PDF viewers/editors like Adobe Acrobat, Preview (on Mac), or various online tools allow you to fill out forms in PDF files by selecting text fields and entering information. Are there any restrictions when working with PDFs? Some PDFs might have restrictions set by their creator, such as password protection, editing restrictions, or print restrictions. Breaking these restrictions might require specific software or tools, which may or may not be legal depending on the circumstances and local laws.

Find Fe Engineering Exam Examples :

[services ideas for small business 76-1460](#)
[VPN services ideas for beginners for entrepreneurs 76-589](#)
[cybersecurity for beginners for sustainable living examples for small business 76-557](#)
[sustainable living guide America 76-1253](#)
[mental wellness guide USA 76-1856](#)
[mental wellness apps for startups 76-1062](#)
[stock market best practices America 76-1530](#)
[fitness routines comparison United States 76-821](#)
[fitness routines entrepreneurs 76-763](#)
[personal finance apps America 76-1416](#)
[personal startup funding tutorial America 76-1840](#)
[startup funding tutorial USA 76-1126](#)
[resume writing roadmap for small business 76-470](#)
[resume writing business automation strategies America 76-775](#)
[business automation 76-2140](#)
[personal finance blueprint for small business 76-1244](#)
[personal finance best practices for startups 76-2046](#)
[personal finance blueprint monetization best practices America 76-1220](#)
[blog monetization best review USA 76-2079](#)
[small business ideas roadmap for creators 76-2573](#)
[76-772](#)
[wearable technology for beginners for creators 76-1307](#)
[wearable](#)

Fe Engineering Exam Examples :

[uf0125 gestión aprovisionamiento y cocina en la unidad familiar - Sep 08 2022](#)
 web aplicar las técnicas básicas de cocina para la elaboración de menús en función de las características de los miembros de la unidad familiar
 Ámbito profesional en general podrá ejercer su actividad en la organización ejecución y control de las actividades de atención socio sanitaria directa a las personas y a su entorno en el

uf0125 gestion aprovisionamiento y cocina en la unidad - Mar 14 2023
 web compra el libro uf0125 gestion aprovisionamiento y cocina en la unidad familiar de personas dependientes con isbn 9788413660615 al mejor precio en casa del libro descubre envíos gratis y rápidos

gestión aprovisionamiento y cocina en la unidad familiar de - Aug 07 2022
 web los ebooks de tipo pdf podrás guardarlos en la sesión de tu navegador para poder leerlos sin conexión a internet los mismos serán almacenados en mis descargas y permanecerán allí mientras tu sesión se encuentre activa es decir que no hayas cerrado sesión en la tienda y durante 7 días luego deberás descargar el ebook nuevamente

uf0125 gestión aprovisionamiento y cocina en la unidad - Jan 12 2023

web características procedimientos de elaboración factores que determinan las necesidades y demandas que hay que cubrir en el domicilio tareas domésticas diarias planificación del trabajo diario aprecio por la planificación unidad didáctica 2 aplicación de técnicas de gestión del presupuesto de la unidad convivencial

ebook gestión aprovisionamiento y cocina en la unidad - Jul 06 2022

web el ebook gestión aprovisionamiento y cocina en la unidad familiar de personas dependientes sscs0108 ebook del autor rosario martin martos en pdf al mejor precio en casa del libro

toplu beslenme sistemlerinde fiziki koşullar - Mar 02 2022

web mutfak ve yemekhanenin binada konumu mutfak binanın alt katında üst katında veya binanın dışında olabilir konumun belirlenmesinde mutfak için gerekli tesisatlar önemli rol oynar su tesisatı sıcak soğuk kirli su elektrik tesisatı buhar tesisatı doğalgaz tesisatı Çöp tesisatı havalandırma tesisatı

uf0125 gestión aprovisionamiento y cocina en la unidad - Jul 18 2023

web así el presente curso de gestión aprovisionamiento y cocina en la unidad familiar de personas dependientes tratará de aportar los conocimientos necesarios para desarrollar intervenciones de atención física domiciliaria dirigidas a personas con necesidades de atención sociosanitaria

2024 İstanbul da bulunan gastronomi ve mutfak sanatları taban - Feb 01 2022

web program adı fakülte adı yerleşen kontenjan taban puan başarı sırası tavan puan 2024 İstanbul da bulunan gastronomi ve mutfak sanatları taban puanları ve başarı sıralamalarını bulabileceğiniz kontenjan yerleşen gibi istatistiklerin verildiği bir sayfa

uf0125 gestión aprovisionamiento y cocina en la unidad - Jun 17 2023

web uf0125 gestión aprovisionamiento y cocina en la unidad familiar de personas dependientes online titulación de formación continua bonificada expedida por el instituto europeo de estudios empresariales

uf0125 gestión aprovisionamiento y cocina en la unidad familiar - May 04 2022

web uf0125 gestión aprovisionamiento y cocina en la unidad familiar de personas dependientes código de la unidad formativa uf0125 duración unidad formativa 60 horas referente de competencia esta unidad formativa se corresponde con las rp1 rp2 rp3 y rp6 capacidades y criterios de evaluación

gestión aprovisionamiento y cocina en la unidad familiar de - Jun 05 2022

web el manual que te presentamos ofrece los contenidos teórico prácticos necesarios para trabajar la unidad formativa i uf0125 gestión aprovisionamiento y cocina en la unidad familiar de personas dependientes i que forma parte del módulo formativo i mf0251 2 apoyo domiciliario y alimentación familiar i br br se trata de una

uf0125 gestión aprovisionamiento y cocina en la unidad - Feb 13 2023

web uf0125 gestión aprovisionamiento y cocina en la unidad familiar de personas dependientes elaborado por virtudes gimeno gómez edición 5 0 editorial elearning s l isbn 978 84 16275 03 8 depósito legal ma 1481 2014 no está permitida la reproducción total o parcial de esta obra bajo cualquiera de sus formas

uf0125 gestión aprovisionamiento y cocina en la unidad - Oct 09 2022

web jun 26 2012 el presente libro desarrolla la unidad formativa gestión aprovisionamiento y cocina en la unidad familiar de personas dependientes uf0125 perteneciente al módulo formativo atención domiciliaria y alimentación familiar mf0251 2 del certificado de profesionalidad atención sociosanitaria a personas en el

uf0125 gestión aprovisionamiento y cocina en la unidad - May 16 2023

web sinopsis presentamos completamente renovados ampliados y actualizados los contenidos curriculares de la uf0125 gestión aprovisionamiento y cocina en la unidad familiar de personas dependientes que forma parte del módulo formativo mf0251 2 apoyo domiciliario y alimentación familiar a su vez perteneciente al certificado de

gastronomİ ve mutfak sanatları fakÜlte bölümünün bulunduğu - Apr 03 2022

web gastronomİ ve mutfak sanatları fakÜlte lisans bölümünün bulunduğu Üniversiteleri bu sayfa üzerinden görebilir tıklayıp bölümün detay bilgilerine ulaşabilirsiniz

uf0125 gestión aprovisionamiento y cocina en la unidad issuu - Nov 10 2022

web nov 26 2020 uf 0125 gestión aprovisionamiento y cocina en la unidad familiar de personas dependientes es un módulo formativo perteneciente al certificado de profesionalidad sscs0108 atención

uf0125 gestión aprovisionamiento y cocina en la unidad - Sep 20 2023

web esta nueva edición del manual para la unidad formativa uf0125 gestión aprovisionamiento y cocina en la unidad familiar de personas dependientes responde a la realidad de todos los perfiles de usuarios que existen atendiendo a los distintos grupos de referencia posibles

uf0125 gestión aprovisionamiento y cocina en la unidad - Apr 15 2023

web gestiÓN aprovisionamiento y cocina en la unidad familiar de personas dependientes unidad didÁctica 1 elaboración del plan de trabajo en la unidad convivencial elementos que lo constituyen características procedimientos de elaboración factores que determinan las necesidades y demandas

gestión aprovisionamiento y cocina en la unidad familiar de - Aug 19 2023

web el presente manual ofrece las directrices esenciales para la gestión el aprovisionamiento la alimentación en la unidad familiar de personas dependientes y otras actividades análogas que el usuario pueda necesitar para el correcto desenvolvimiento personal

Istanbul aydin Üniversitesi gastronomi ve mutfak - Dec 11 2022

web 202412437 kodlu program için yÖk lisans atlası yükseköğretim girdi süreç ve Çıktı göstergeleri

intervención bucodental tienda digital grupo arán - May 01 2022

web medidas preventivas y asistenciales el plan de salud bucodental incluirá una revisión anual para cada niño o niña a partir de los 7 años se trata de una serie de medidas

intervención bucodental 2ª ed arán ediciones - Feb 10 2023

web verificación de la eliminación del cálculo 82 intervención bucodental las técnicas de eliminación de cálculos dentales nos permiten el mantenimiento de una salud

lea el discurso de investidura de pedro sánchez el país - Oct 26 2021

atención primaria y promoción de la salud bucodental - Jul 15 2023

web feb 7 2022 cuando se habla de intervención bucodental muchas veces se hace referencia a la higiene dental es decir procedimientos que se enfocan en la salud

intervención bucodental segunda edición revisada y actualizada - Oct 18 2023

web intervención bucodental 9 Índice videotutoriales capítulo 1 1 1 material necesario para el procedimiento de sellado de fosas y fisuras 1 2 material necesario para la colocación de diques de goma 1 3 procedimiento de colocación simultánea de dique y

libro blanco sobre prevención y tratamiento de las enfermedades - Sep 05 2022

web ministerio de sanidad y consumo plan de salud bucodental una buena salud empieza por una boca sana además recuerda tus hijos pueden disfrutar de una revisión anual

intervencion bucodental con isbn 9788490772737 - Nov 26 2021

intervención bucodental - Jul 03 2022

web intervención bucodental el módulo de intervención bucodental es clave en el desarrollo y la formación de este ciclo te permitirá adquirir los conocimientos teórico prácticos

actividades del plan de salud bucodental ministerio de sanidad - Jan 29 2022

web nov 15 2023 pedro sánchez quien aspira a renovar mañana su mandato como presidente del gobierno ha empleado prácticamente 100 minutos en pronunciar su

intervención bucodental martínez rodríguez maría - Aug 04 2022

web más el texto que ahora examinas responde a la competencia de realizar las técnicas odontológicas propias delegadas o

de ayuda dentro del equipo de salud bucodental y
intervención bucodental paraninfo - Feb 27 2022

web sinopsis de intervencion bucodental este libro está dirigido a los alumnos de la rama sanitaria de la especialidad de
higiene bucodental para la adquisición de

salud bucodental world health organization who - May 13 2023

web jun 16 2023 presentamos la segunda edición revisada y actualizada de intervención bucodental la gran aportación de
esta nueva edición es la veintena de vídeos

intervención bucodental segunda edición revisada y actualizada - Apr 12 2023

web bucodental óptima para todos sin dejar a nadie por el camino nuestra visión es que para el año 2030 la salud bucodental
sea empoderante se base en pruebas esté integrada

salud bucodental plan de acción para la promoción la prevención - Dec 08 2022

web para la salud bucodental y la salud general equipo de trabajo de la fdi para el proyecto mundial de salud periodontal
david herrera jörg meyle stefan renvert y lijian jin

intervenciones educativas en salud bucodental para el - Dec 28 2021

intervención bucodental studylib es - Nov 07 2022

web feb 26 2021 intervención bucodental martínez rodríguez maría ruza cedillo sabela ediciones paraninfo s a feb 26 2021
medical 292 pages el

proporcionar una salud bucodental óptima para todos fdi - Mar 11 2023

web 8 a que amplíen la capacidad de formar personal de salud bucodental incluidos higienistas en fermeras y auxiliares
dentales velando por que esos auxiliares se

0733 intervención bucodental universidad católica - Aug 16 2023

web dec 2 2017 resumen objetivo evaluar a corto y medio plazo la efectividad de una intervención de promoción de la salud
bucodental impulsada desde atención primaria

intervención bucodental todo lo que necesitas saber dr charani - Jun 14 2023

web la mayoría de las afecciones de salud bucodental son prevenibles en gran medida y pueden tratarse en sus etapas
iniciales la mayor parte de estas afecciones son caries

intervención bucodental higiene bucodental educamadrid - Mar 31 2022

web entre los temas se incluyeron los especialmente relevantes para los pacientes mayores como la atención de la dentadura
postiza que comprendía las enfermedades bucales y

ministerio de sanidad y consumo plan de salud bucodental - Jun 02 2022

web este libro desarrolla los contenidos del módulo profesional de intervención bucodental del ciclo formativo de grado superior de higiene bucodental perteneciente a la familia

intervención bucodental 2^a ed arán ediciones - Jan 09 2023

web el resumen ejecutivo del informe de la oms sobre la situación mundial de la salud bucodental presenta una instantánea de los datos más recientes sobre las principales

intervención bucodental todo lo que necesitas saber - Sep 17 2023

web el módulo de intervención bucodental proporciona promover la salud de las personas y de la comunidad programando y desarrollando actividades preventivas y asistenciales

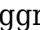
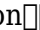


salud oral ops oms organización panamericana de la salud - Oct 06 2022

web 1 técnicas y conceptos básicos en intervención bucodental 2 fluoruros tópicos 3 técnicas de aplicación de fluoruros tópicos 4 sellado de fosas y fisuras 5 diagnóstico y

passive income aggressive retirement the secret to freedom - Dec 17 2022

web at age 27 rachel quit her job and retired living off 10 000 per month in passive income streams let her show you how to do it at any age it s never too late what is passive income passive income is earned with little to no ongoing work it s no get rich quick scheme but once your passive income exceeds your expenses you are set for life

passive income aggressive retirement the secret to freedom - May 10 2022

web nov 13 2019 amazon  passive income aggressive retirement the secret to freedom flexibility and financial independence how to get started  amazon  richards rachel 

passive income aggressive retirement the secret to freedom - Nov 16 2022

web passive income aggressive retirement the secret to freedom flexibility and financial independence how to get started audio download rachel richards lela rhodes rachel richards amazon co uk books

passive income aggressive retirement the secret to freedom - Jun 11 2022

web passive income aggressive retirement the secret to freedom flexibility and financial independence how to get started richards rachel isbn 9781706203025 kostenloser versand für alle bücher mit versand und verkauf duch amazon

passive income aggressive retirement the secret to freedom - Apr 21 2023

web nov 13 2019 in a refreshingly realistic how to guide rachel serves up 28 tried and true passive income models helping you to achieve financial independence retire early without penny pinching

passive income aggressive retirement the secret to freedom - Feb 19 2023

web in november 2019 rachel released her second book passive income aggressive retirement where she dives deep into the

topic of passive income and financial independence she explains why building self sustaining income streams is so brilliant and not to mention doable for anyone and everyone

passive income aggressive retirement the secret to freedom - Jul 12 2022

web nov 13 2019 rachel richards indy pub nov 13 2019 finance personal 258 pages two million dollars that s how much money anyone under age 40 will need to accumulate to retire that often means working

passive income aggressive retirement open library - Aug 13 2022

web apr 13 2023 availability 1 passive income aggressive retirement the secret to freedom flexibility and financial independence 2019 independently published independently published in english 1706203020 9781706203025 aaaa not in library libraries near you worldcat

passive income aggressive retirement the secret to freedom - Jan 18 2023

web in november 2019 rachel released her second book passive income aggressive retirement where she dives deep into the topic of passive income and financial independence she explains why building self sustaining income streams is so brilliant and not to mention doable for anyone and everyone

passive income aggressive retirement the secret to freedom - Jan 06 2022

web nov 13 2019 4 4 1 272 ratings see all formats and editions two million dollars that s how much money anyone under age 40 will need to accumulate to retire that often means working 40 hour weeks and penny pinching your whole life

amazon com customer reviews passive income aggressive retirement - Sep 14 2022

web passive income aggressive retirement the secret to freedom customer reviews customer reviews 4 5 out of 5 1 072 global ratings how customer reviews and ratings work top positive review all positive reviews john impressive analysis of passive income reviewed in the united states on february 17 2023

passive income aggressive retirement the secret to freedom - Jul 24 2023

web nov 13 2019 passive income aggressive retirement the secret to freedom flexibility and financial independence how to get started richards rachel 9781706203025 amazon com books books

passive income aggressive retirement the secret to freedom - May 22 2023

web nov 12 2019 passive income aggressive retirement the secret to freedom flexibility and financial independence how to get started kindle edition by richards rachel download it once and read it on your kindle device pc phones or

passive income aggressive retirement the secret to freedom - Oct 15 2022

web passive income aggressive retirement the secret to freedom flexibility and financial independence how to get started richards rachel amazon ae books

ebook passive income yumpu - Feb 07 2022

web jun 9 2020 ebook passive income aggressive retirement the secret to freedom flexibility and financial independence how to get started step by step to download this book click the button download sign up registration to access passive income aggressive retirement the secret to freedom flexibility and financial

[download free passive income aggressive retirement the secret](#) - Mar 08 2022

web sep 14 2020 scheme but once your passive income exceeds your expenses you are set for life in a refreshingly realistic how to guide rachel serves up 28 tried and true passive income stream models helping you to achieve financial independence retire early without penny pinching

passive income aggressive retirement the secret to freedom - Mar 20 2023

web buy passive income aggressive retirement the secret to freedom flexibility and financial independence how to get started by richards rachel isbn 9781706203025 from amazon s book store everyday low prices and free delivery on eligible orders

[pdf passive income aggressive retirement the secret to](#) - Apr 09 2022

web jul 16 2020 the only problem with plr ebooks passive income aggressive retirement the secret to freedom flexibility and financial independence how to get started is always that for anyone who is offering a confined number of each your money is finite however you can demand a large price per copy passive income

passive income aggressive retirement the secret to freedom - Aug 25 2023

web passive income aggressive retirement the secret to freedom flexibility and financial independence how to get started richards rachel amazon com tr kitap kitap

passive income aggressive retirement the secret to fr - Jun 23 2023

web nov 12 2019 in her newest book passive income aggressive retirement rachel dives deep into the topic of passive income and financial independence she explains why building self sustaining income streams is so brilliant and not to