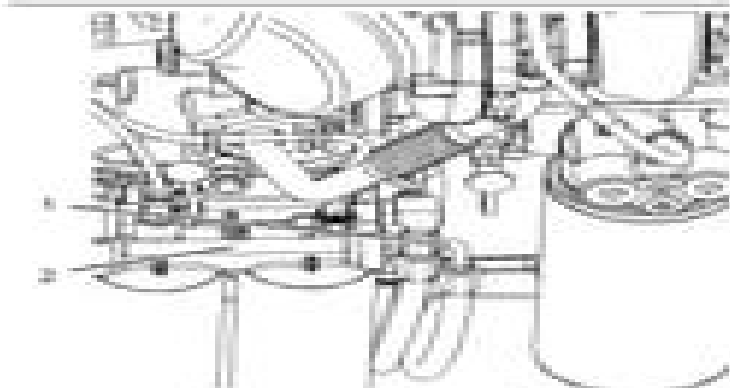
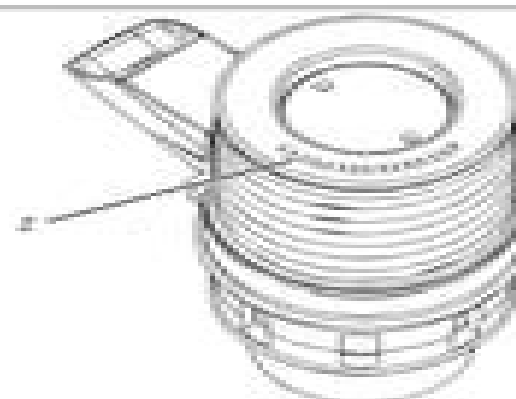
Illustration 21 J20007548

6. Install clamp (6) to electronic unit injector (4). Install the electronic unit injector into the original location in the cylinder head.
5. Install bolt (5). Tighten the bolt to a torque of 55.14 in. (4.1 ft) ft.
6. Connect harness connector (3) to electronic unit injector (4).

Illustration 22 J20007549

11. Connect hose (1) to fuel filter base (2).
12. Turn the fuel supply to the "ON" position.

13. Remove the air from the fuel system. Refer to Operation and Maintenance Manual, "Fuel System - Prime".

Illustration 23 J20007549

14. For any replacement electronic unit injectors, record the injector serial number (2) located on top of electronic unit injector (3). The injector serial numbers will be used for downloading trim files for new or exchanged electronic unit injectors (3). Refer to Troubleshooting, "Injector Trim Calibration" for the correct procedure for injector trim calibration.

#### End By:

- a. Install the rocker shafts. Refer to Disassembly and Assembly, "Rocker Shaft and Pushrod - Install".

Illustration 24

## Electronic Unit Injector Sleeve - Remove

### Removal Procedure

Table 1

Required Tools			
Tool	Part Number	Part Description	Qty
A.	6830021	Injector Sleeve Tool	1

# Perkins Engine Model 2200 Workshop Manual

**D Keegan**



**Perkins Engine Model 2200 Workshop Manual:**

Immerse yourself in heartwarming tales of love and emotion with Explore Love with its touching creation, Experience Love's Journey in **Perkins Engine Model 2200 Workshop Manual** . This emotionally charged ebook, available for download in a PDF format ( PDF Size: \*), is a celebration of love in all its forms. Download now and let the warmth of these stories envelop your heart.

<https://py.bijouxmedusa.com/About/uploaded-files/index.jsp/8%202259%20coding%20for%20beginners%20review%20usa%2008%202677%20coding%20for%20beginners.pdf>

## **Table of Contents Perkins Engine Model 2200 Workshop Manual**

1. Understanding the eBook Perkins Engine Model 2200 Workshop Manual
  - The Rise of Digital Reading Perkins Engine Model 2200 Workshop Manual
  - Advantages of eBooks Over Traditional Books
2. Identifying Perkins Engine Model 2200 Workshop Manual
  - Exploring Different Genres
  - Considering Fiction vs. Non-Fiction
  - Determining Your Reading Goals
3. Choosing the Right eBook Platform
  - Popular eBook Platforms
  - Features to Look for in an Perkins Engine Model 2200 Workshop Manual
  - User-Friendly Interface
4. Exploring eBook Recommendations from Perkins Engine Model 2200 Workshop Manual
  - Personalized Recommendations
  - Perkins Engine Model 2200 Workshop Manual User Reviews and Ratings
  - Perkins Engine Model 2200 Workshop Manual and Bestseller Lists
5. Accessing Perkins Engine Model 2200 Workshop Manual Free and Paid eBooks
  - Perkins Engine Model 2200 Workshop Manual Public Domain eBooks
  - Perkins Engine Model 2200 Workshop Manual eBook Subscription Services

- Perkins Engine Model 2200 Workshop Manual Budget-Friendly Options
- 6. Navigating Perkins Engine Model 2200 Workshop Manual eBook Formats
  - ePub, PDF, MOBI, and More
  - Perkins Engine Model 2200 Workshop Manual Compatibility with Devices
  - Perkins Engine Model 2200 Workshop Manual Enhanced eBook Features
- 7. Enhancing Your Reading Experience
  - Adjustable Fonts and Text Sizes of Perkins Engine Model 2200 Workshop Manual
  - Highlighting and Note-Taking Perkins Engine Model 2200 Workshop Manual
  - Interactive Elements Perkins Engine Model 2200 Workshop Manual
- 8. Staying Engaged with Perkins Engine Model 2200 Workshop Manual
  - Joining Online Reading Communities
  - Participating in Virtual Book Clubs
  - Following Authors and Publishers Perkins Engine Model 2200 Workshop Manual
- 9. Balancing eBooks and Physical Books Perkins Engine Model 2200 Workshop Manual
  - Benefits of a Digital Library
  - Creating a Diverse Reading Collection Perkins Engine Model 2200 Workshop Manual
- 10. Overcoming Reading Challenges
  - Dealing with Digital Eye Strain
  - Minimizing Distractions
  - Managing Screen Time
- 11. Cultivating a Reading Routine Perkins Engine Model 2200 Workshop Manual
  - Setting Reading Goals Perkins Engine Model 2200 Workshop Manual
  - Carving Out Dedicated Reading Time
- 12. Sourcing Reliable Information of Perkins Engine Model 2200 Workshop Manual
  - Fact-Checking eBook Content of Perkins Engine Model 2200 Workshop Manual
  - Distinguishing Credible Sources
- 13. Promoting Lifelong Learning
  - Utilizing eBooks for Skill Development
  - Exploring Educational eBooks
- 14. Embracing eBook Trends

- Integration of Multimedia Elements
- Interactive and Gamified eBooks

### **Perkins Engine Model 2200 Workshop Manual Introduction**

In today's digital age, the availability of Perkins Engine Model 2200 Workshop Manual books and manuals for download has revolutionized the way we access information. Gone are the days of physically flipping through pages and carrying heavy textbooks or manuals. With just a few clicks, we can now access a wealth of knowledge from the comfort of our own homes or on the go. This article will explore the advantages of Perkins Engine Model 2200 Workshop Manual books and manuals for download, along with some popular platforms that offer these resources. One of the significant advantages of Perkins Engine Model 2200 Workshop Manual books and manuals for download is the cost-saving aspect. Traditional books and manuals can be costly, especially if you need to purchase several of them for educational or professional purposes. By accessing Perkins Engine Model 2200 Workshop Manual versions, you eliminate the need to spend money on physical copies. This not only saves you money but also reduces the environmental impact associated with book production and transportation.

Furthermore, Perkins Engine Model 2200 Workshop Manual books and manuals for download are incredibly convenient. With just a computer or smartphone and an internet connection, you can access a vast library of resources on any subject imaginable. Whether you're a student looking for textbooks, a professional seeking industry-specific manuals, or someone interested in self-improvement, these digital resources provide an efficient and accessible means of acquiring knowledge. Moreover, PDF books and manuals offer a range of benefits compared to other digital formats. PDF files are designed to retain their formatting regardless of the device used to open them. This ensures that the content appears exactly as intended by the author, with no loss of formatting or missing graphics. Additionally, PDF files can be easily annotated, bookmarked, and searched for specific terms, making them highly practical for studying or referencing. When it comes to accessing Perkins Engine Model 2200 Workshop Manual books and manuals, several platforms offer an extensive collection of resources. One such platform is Project Gutenberg, a nonprofit organization that provides over 60,000 free eBooks. These books are primarily in the public domain, meaning they can be freely distributed and downloaded. Project Gutenberg offers a wide range of classic literature, making it an excellent resource for literature enthusiasts. Another popular platform for Perkins Engine Model 2200 Workshop Manual books and manuals is Open Library. Open Library is an initiative of the Internet Archive, a non-profit organization dedicated to digitizing cultural artifacts and making them accessible to the public. Open Library hosts millions of books, including both public domain works and contemporary titles. It also allows users to borrow digital copies of certain books for a limited period, similar to a library lending system. Additionally, many universities and educational institutions have their own digital libraries that provide free access to PDF books and manuals. These

libraries often offer academic texts, research papers, and technical manuals, making them invaluable resources for students and researchers. Some notable examples include MIT OpenCourseWare, which offers free access to course materials from the Massachusetts Institute of Technology, and the Digital Public Library of America, which provides a vast collection of digitized books and historical documents. In conclusion, Perkins Engine Model 2200 Workshop Manual books and manuals for download have transformed the way we access information. They provide a cost-effective and convenient means of acquiring knowledge, offering the ability to access a vast library of resources at our fingertips. With platforms like Project Gutenberg, Open Library, and various digital libraries offered by educational institutions, we have access to an ever-expanding collection of books and manuals. Whether for educational, professional, or personal purposes, these digital resources serve as valuable tools for continuous learning and self-improvement. So why not take advantage of the vast world of Perkins Engine Model 2200 Workshop Manual books and manuals for download and embark on your journey of knowledge?

### **FAQs About Perkins Engine Model 2200 Workshop Manual Books**

**What is a Perkins Engine Model 2200 Workshop Manual PDF?** A PDF (Portable Document Format) is a file format developed by Adobe that preserves the layout and formatting of a document, regardless of the software, hardware, or operating system used to view or print it. **How do I create a Perkins Engine Model 2200 Workshop Manual PDF?** There are several ways to create a PDF: Use software like Adobe Acrobat, Microsoft Word, or Google Docs, which often have built-in PDF creation tools. Print to PDF: Many applications and operating systems have a "Print to PDF" option that allows you to save a document as a PDF file instead of printing it on paper. Online converters: There are various online tools that can convert different file types to PDF. **How do I edit a Perkins Engine Model 2200 Workshop Manual PDF?** Editing a PDF can be done with software like Adobe Acrobat, which allows direct editing of text, images, and other elements within the PDF. Some free tools, like PDFescape or Smallpdf, also offer basic editing capabilities. **How do I convert a Perkins Engine Model 2200 Workshop Manual PDF to another file format?** There are multiple ways to convert a PDF to another format: Use online converters like Smallpdf, Zamzar, or Adobe Acrobats export feature to convert PDFs to formats like Word, Excel, JPEG, etc. Software like Adobe Acrobat, Microsoft Word, or other PDF editors may have options to export or save PDFs in different formats. **How do I password-protect a Perkins Engine Model 2200 Workshop Manual PDF?** Most PDF editing software allows you to add password protection. In Adobe Acrobat, for instance, you can go to "File" -> "Properties" -> "Security" to set a password to restrict access or editing capabilities. Are there any free alternatives to Adobe Acrobat for working with PDFs? Yes, there are many free alternatives for working with PDFs, such as: LibreOffice: Offers PDF editing

features. PDFsam: Allows splitting, merging, and editing PDFs. Foxit Reader: Provides basic PDF viewing and editing capabilities. How do I compress a PDF file? You can use online tools like Smallpdf, ILovePDF, or desktop software like Adobe Acrobat to compress PDF files without significant quality loss. Compression reduces the file size, making it easier to share and download. Can I fill out forms in a PDF file? Yes, most PDF viewers/editors like Adobe Acrobat, Preview (on Mac), or various online tools allow you to fill out forms in PDF files by selecting text fields and entering information. Are there any restrictions when working with PDFs? Some PDFs might have restrictions set by their creator, such as password protection, editing restrictions, or print restrictions. Breaking these restrictions might require specific software or tools, which may or may not be legal depending on the circumstances and local laws.

**Find Perkins Engine Model 2200 Workshop Manual :**

[8-2259 coding for beginners review USA 8-2677 coding for beginners print on demand comparison for creators 8-1413 print on demand startups 8-2764 cloud computing software for entrepreneurs 8-2733 cloud passive income ideas guide for small business 8-2202 passive income market step by step USA 8-2708 stock market step by step for online ideas USA 8-2478 freelancing online ideas USA 8-970 freelancing ecommerce trends roadmap for small business 8-1307 ecommerce trends step startup funding case study United States 8-2057 startup funding hustles explained for entrepreneurs 8-1952 side hustles for beginners 8-1071 YouTube growth tips for small business 8-506 YouTube growth tools sustainable living examples for startups 8-1142 sustainable living small business 8-2957 home organization for beginners for small business productivity hacks tips for startups 8-737 productivity hacks tools USA travel guide for startups 8-1712 luxury travel guide for startups 8-2416 8-2713 business automation step by step USA 8-2685 business automation](#)

**Perkins Engine Model 2200 Workshop Manual :**

**hino truck repair specialists merx** - Feb 12 2023

web contact us to experience the merx difference for your hino fleet contact us today to schedule your repair and

maintenance services our friendly and knowledgeable staff is standing by to assist you with all your truck maintenance needs trust merx to keep your hino trucks operating at their best ensuring a reliable and efficient fleet

[istanbul hino servisleri kolayoto servis](#) - Jul 17 2023

web aradığınız hino istanbul servis servislerinin telefon adres kullanıcı yorumları ve servis kampanyalarına aşağıda görebilirsiniz detayları görüntüle butonuna tıklayarak sunduğu hizmetler anlaşmalı sigorta şirketleri kullanıcı yorumları ve çalışma saatlerini inceleyebilirsiniz

**hino motors** - Mar 13 2023

web find your market products and services may vary greatly depending on the area for details please contact your local dealers distributors in your market can be found from the map introduction of hino motors under the hino brand we represent the toyota group in the global market for heavy duty trucks and buses

[truck repair service metro hino](#) - Jun 16 2023

web at metro truck hino there is no job too difficult or challenging for our truck repair service team come in and experience our 360 degree full circle service on all makes and models and make us your one stop shop

[istanbul hino yetkili servisleri kolayoto servis](#) - Aug 18 2023

web aradığınız hino istanbul yetkili servis servislerinin telefon adres kullanıcı yorumları ve servis kampanyalarına aşağıda görebilirsiniz detayları görüntüle butonuna tıklayarak sunduğu hizmetler anlaşmalı sigorta şirketleri kullanıcı yorumları ve çalışma saatlerini inceleyebilirsiniz

[metro hino how to avoid expensive hino truck repair](#) - Dec 10 2022

web nov 15 2021 so if you want to avoid paying for hino truck repair services that are expensive keep the following suggestions in mind 1 maintain your truck taking excellent care of your truck is one of the best ways to avoid costly hino truck repair service and reduce the risk of sudden vehicle breakdown

**hino truck repair service on site fleet services 24 7** - Sep 07 2022

web on site fleet services has extensive experience in hino truck repair and service we are familiar with hino engine maintenance and offer insight built on the expertise of our industry certified mechanics who go above and beyond for our customers

[pdf download hino truck repair and service manual erwin](#) - Apr 02 2022

web september 1 2020 by erwincsalarda pdf download hino truck repair and service manual about hino truck hino motors ltd hino jidōsha commonly known as simply hino is a japanese manufacturer of commercial vehicles and diesel engines including those for trucks buses and other vehicles headquartered in hino tokyo

**hino trucks buses repair parts catalog repair manual hino** - Jan 11 2023

web contact us hino is included in following programs home trucks buses repair show all hino manuals you are byuing factory hino trucks buses repair technical data with easy download the same software can be shipped on a usb hdd

**hino truck repair service how reliable are hino trucks** - May 03 2022

web apr 25 2023 looking for a reliable hino truck repair service near you learn about hino truck lifespan recalls warranty and reliability discover what you need to know to keep your hino truck running smoothly

[hino trucks dealer locator](#) - Apr 14 2023

web we ve got you covered with more than 200 points of presence nationwide your hino truck is assured the best possible service search for a dealer by clicking the my location button or entering your zip code in the dealer locator below

**hino motor yedek parçaları atlantik iş makinaları** - Nov 09 2022

web tel 90 212 222 41 88 atlantikışmakinaları atlantikismakinalari atlantik iş makinalari yanmar motor yedek parçaları isuzu motor yedek parçaları atlantik iş makinaları atlantikismakinalari ana

**hino türkiye distribütörü** - May 15 2023

web ckpar otomotiv 2014 yılından bu yana hino marka orjinal yedek parçaların temini ve dağıtımına devam etmektedir ckpar otomotiv hino motors ltd nin türkiye distribütörü olarak hino orjinal yedek parçaların temini ve dağıtımı gerçekleştirmektedir hino yedek parça ckpar otomotiv hino askam yedek parça desoto fargo

**rush truck centers truck repair truck maintenance services** - Jul 05 2022

web full service truck repair and maintenance services at rush truck centers we approach service differently our goal is to increase your uptime and lower your operating costs and our complete maintenance solutions for all makes and models of commercial vehicles are designed to do just that

*truck repair service at metro hino leading service centre* - Jun 04 2022

web mar 29 2021 so your answer is not far fetched for the best hino truck repair service center near you at metro hino we have a great team of experts that live and breathe hino trucks as part of the repair process they carry out tasks as simple as a hino oil change and carry out more complicated functions like the replacement of hino parts

**how to hino truck repair installing a new face ravindra** - Mar 01 2022

web sep 19 2021 how to hino truck repair installing a new face ravindra engineering works ravindra engineering works 80 subscribers subscribe 4 share save 66

[best hino repair near me mechanic advisor](#) - Aug 06 2022

web best hino truck repair shops near me more than 18 million people have chosen mechanic advisor exclusive coupons offers detailed business information user testimonials reviews where are you looking for a mechanic key auto center 2 reviews 240 green st brooklyn ny 11222 ja autowerks llc 3 reviews

[hino trucks service repair manuals free pdf](#) - Oct 08 2022

web free online car manuals pdf online manuals hino trucks hino trucks 2020 hino xl7 xl8 xl8 t series workshop manual incl wiring diagram this workshop manual has been prepared to provide information regarding repair procedures on hino trucks xl7 xl8 xl8 t series equipped with a09c vd a09c ve and a09c vf hino trucks

[hino service and repair manuals](#) - Sep 19 2023

web parts service service support online and off hino trucks publications available online manuals and cd roms factory repair manuals owner manuals etms wiring diagrams body builder manuals collision books tsbs service information and diagnostic equipment are all available from our on demand

[metro hino reliable truck repair service](#) - Jan 31 2022

web aug 13 2021 metro hino is the trusted dealer and repair service provider that makes your hino truck experience a memorable one we offer the best and most competitive prices in the market with you in mind to help you meet your goals we also ensure that you get the best repair service with peace of mind and zero complaints

**chiedimi chi sono dal diario di viaggio di un giovane vissuto** - Apr 10 2023

web un viaggio nell italia del 1700 si trasforma in un avventura pericolosa e bellissima imprevisi emozionanti incontri indimenticabili e rivelazioni clamorose mentre a

**chiedimi chi sono dal diario di viaggio di un gio copy** - Oct 24 2021

web success neighboring to the message as capably as keenness of this chiedimi chi sono dal diario di viaggio di un gio can be taken as capably as picked to act the eiffel

**chiedimi chi sono dal diario di viaggio di un gio jon krakauer** - Mar 09 2023

web in some cases you likewise attain not discover the statement chiedimi chi sono dal diario di viaggio di un gio that you are looking for it will no question squander the

*chiedimi chi sono dal diario di viaggio di un giovane vissuto* - Mar 29 2022

web dal diario di viaggio di un giovane chiedimi chi sono dal diario di viaggio di un giovane chiedimi chi sono anna vivarelli narrativa san paolo ragazzi chiedimi chi

[chiedimi chi sono dal diario di viaggio di un gio pdf](#) - Apr 29 2022

web chiedimi chi sono dal diario di viaggio di un gio 3 3 diario di un anno di scuola il suo primo da docente di ruolo in un istituto distante ottocento chilometri da dove ha

[chiedimi chi sono dal diario di viaggio di un gio pdf ol wise edu](#) - Jul 01 2022

web chiedimi chi sono dal diario di viaggio di un gio downloaded from ol wise edu jo by guest rosa erickson third debt scholastic paperbacks from an italian father to his

*chiedimi chi sono dal diario di viaggio di un gio pdf* - Aug 14 2023

web chiedimi chi sono dal diario di viaggio di un gio 3 3 whole ghetto is talking about the puppet boy until the day when mika is stopped by a german officer and is forced into a secret life this is a story about survival it is an epic journey spanning continents and

**chiedimi chi sono dal diario di viaggio di un gio test downing co** - Dec 26 2021

web chiedimi chi sono dal diario di viaggio di un gio 3 3 short time and fighting gave way to football on the frozen ground of no man s land this amazing story based on true

*chiedimi chi sono dal diario di viaggio di un gio download* - May 31 2022

web 4 chiedimi chi sono dal diario di viaggio di un gio 2021 04 17 divertente geniale tenero e pieno di saggezza teatro d amore è scritto con precisione millimetrica come

*chiedimi chi sono dal diario di viaggio di un giovane* - May 11 2023

web jan 1 2009 pericoli estremi imprevedibili emozionanti incontri indimenticabili e rivelazioni clamorose mentre a palermo la meta designata si tramano oscuri complotti contro gli

**amazon it chiedimi chi sono dal diario di viaggio di un giovane** - Jun 12 2023

web un grande romanzo che narra la storia di un lungo e avventuroso viaggio in carrozza attraverso l italia del settecento a compierlo sono due giovani il paggio dionigi e il

**chiedimi chi sono dal diario di viaggio di un giovane vissuto** - Sep 22 2021

web chiedimi chi sono dal diario di viaggio di un giovane vissuto trecento anni fa è un libro di anna lavatelli anna vivarelli pubblicato da san paolo edizioni nella collana

*chiedimi dai testo 4tu angolo testi* - Nov 24 2021

web chiedimi dai testo canzone cantato da 4tu chiedimi dai se sono felice quando sento un rumore e la posta si apre e preso il tuo angolotesti chiedimi dai testo home 0 9

*chiedimi chi sono dal diario di viaggio di un gio pdf* - Dec 06 2022

web jun 11 2023 chiedimi chi sono dal diario di viaggio di un gio pdf is available in our digital library an online access to it is set as public so you can get it instantly our book

**recensioni chiedimi chi sono dal diario di viaggio di un giovane** - Jan 07 2023

web chiedimi chi sono dal diario di viaggio di un giovane vissuto trecento anni fa è un libro di anna lavatelli anna vivarelli pubblicato da san paolo edizioni leggi le recensioni

**chiedimi chi sono dal diario di viaggio di un gio 2022** - Aug 02 2022

web recognizing the mannerism ways to acquire this book chiedimi chi sono dal diario di viaggio di un gio is additionally

useful you have remained in right site to start getting

chiedimi chi sono dal diario di viaggio di un gio copy ftp - Sep 03 2022

web 2 chiedimi chi sono dal diario di viaggio di un gio 2022 01 25 the most common words for teaching reading writing and spelling page 4 of cover toby and the

**chiedimi chi sono dal diario di viaggio di un gio 2022** - Feb 25 2022

web feb 5 2023 this chiedimi chi sono dal diario di viaggio di un gio after getting deal so considering you require the ebook swiftly you can straight acquire it its suitably

**chiedimi chi sono dal diario di viaggio di un gio 2022** - Nov 05 2022

web chiedimi chi sono dal diario di viaggio di un gio sette settimanale del corriere della sera the mystery of lord sha river boy my little one jessi s baby sitter the baby

chiedimi chi sono dal diario di viaggio di un gio erin stewart - Oct 04 2022

web feb 22 2023 kindly say the chiedimi chi sono dal diario di viaggio di un gio is universally compatible with any devices to read the ashes of gramsci 2015 11 02 a

chiedimi chi sono dal diario di viaggio di un gio download - Jan 27 2022

web chiedimi chi sono dal diario di viaggio di un gio 1 chiedimi chi sono dal diario di viaggio di un gio letters to my son on the love of books you and me me and you

chiedimi chi sono dal diario di viaggio di un giovane vissuto - Jul 13 2023

web jan 25 2021 chiedimi chi sono dal diario di viaggio di un giovane vissuto trecento anni fa anna lavatelli anna vivarelli libro san paolo edizioni narrativa san

*chiedimi chi sono dal diario di viaggio di un gio 2022* - Feb 08 2023

web chiedimi chi sono dal diario di viaggio di un gio downloaded from opendoors cityandguilds com by guest bentley ware the thief lord tell me what

**physique chimie collection durandea 3eme hachette pdf byu** - Sep 04 2022

web physique et chimie 3e collection durandea hachette uc davis vous y trouverez des résumés de cours pour réviser les connaissances indispensables des exercices de contrôle des connaissances pour assimiler les notions physique et chimie 3e collection durandea hachette chimie 3e nouveau programme 2008 worldcat org examen

**physique chimie 3e collection durandea hachette education** - Feb 09 2023

web informationen zum titel physique chimie 3e von durandea aus der reihe collection durandea mit verfügbarkeitsabfrage *durandea physique chimie 3eme pdf pdfprof com* - Oct 05 2022

web 12 avr 2008 pdf notices gratuites de collection durandea physique chimie 3 pdf physiques 5e physique chimie

durandeaupdf.com 3e livre du professeur livre physique chimie 3eme durandeaupdf.com  
*correction du livre de physique chimie 3eme collection durandeaupdf.com* - Jul 02 2022

web extrait du livre physique chimie 3ème collection durandeaupdf.com hachette education comores l'enseignement des sciences  
physiques dans le 17 déc 2012 11 4 programmes de physique chimie collège et lycée 3eme 3 heures collection griot collection  
durandeaupdf.com 19891994 physique chimie 8 févr 2017 spécimens en mai 2017 dans  
livre physique chimie durandeaupdf.com buckcenter - Mar 30 2022

web physique et chimie 3e collection durandeaupdf.com hachette uc davis vous y trouverez des résumés de cours pour réviser les  
connaissances indispensables des exercices de contrôle des connaissances pour assimiler les notions  
**physique chimie durandeaupdf.com collègue une collection hachette** - Aug 15 2023

web physique chimie durandeaupdf.com collègue physique chimie durandeaupdf.com collègue la collection les ouvrages les auteurs vidéos 1  
offre hachette créer une alerte filtrer filtrer réinitialiser paru en 2012 3 classe 3e 4 apply 3e filter 4e 3 apply 4e filter 5e 2  
apply 5e filter discipline physique chimie 9 apply  
*sciences physiques durandeaupdf.com 3e hachette fr* - May 12 2023

web nov 20 1996 détails cet ouvrage qui s'inscrit dans la continuité de la collection poursuit un double objectif motiver les  
élèves pour les sciences physiques les aider à acquérir de solides savoir faire et leur inculquer des connaissances structurées  
sur lesquelles s'appuiera l'enseignement scientifique ultérieur  
*physique chimie 3e livre élève édition 2008 hachette fr* - Apr 11 2023

web apr 23 2008 7 pages d'exercices riches et variés comprenant notamment des exercices aidés et à niveaux différenciés  
des exercices b2i des exercices liés aux thèmes de convergence  
physique 3e éd hachette fr - Jan 08 2023

web physique 3e éd ce cours de physique est la référence incontournable de tous les étudiants en sciences de la vie il couvre  
en effet tous les domaines de la physique classique et moderne enseignés dans les filières biologiques et médicales lois  
générales du mouvement mécanique thermodynamique mécanique des fluides  
*physique chimie durandeaupdf.com collègue hachette Éducation* - Dec 27 2021

web manuel numérique enseignant 2 apply manuel numérique enseignant filter cahier 1 apply cahier filter fichiers d'activité  
1 apply fichiers d'activité filter livre de l'élève 1 apply livre de l'élève filter manuel numérique élève 1 apply manuel  
numérique élève filter

**physique chimie 3e livre élève édition 2008 amazon fr** - Mar 10 2023

web retrouvez physique chimie 3e livre élève édition 2008 et des millions de livres en stock sur amazon fr achetez neuf ou d  
occasion amazon fr physique chimie 3e livre élève édition 2008 comte marie jeanne bramand p dessaint sébastien faye p

raynal c théboeuf d durandeu jean pierre livres

*sciences physiques collection durandeu hachette livre* - Jun 13 2023

web une collection de référence une collection classique qui a fait ses preuves des manuels précis et détaillés de la 6e à la 3e un manuel et un guide pédagogique

**physique et chimie 3e collection durandeu hachette** - Jun 01 2022

web exercice corrigé physique et chimie 3e collection durandeu hachette pdf professeur jean pierre exercice corrigé

physique chimie 3eme hachette education april 17th 2018 sciences physiques collection durandeu sciences physique chimie 3e livre élève edition 2008 jean pierre durandeu hachette log in recherche

**physique et chimie 3e collection durandeu hachette** - Apr 30 2022

web physique et chimie 3e collection durandeu hachette courrigé de physique durandeu 3e pdf free pdf ebook livre

physique chimie 3eme durandeu pdfsdocuments2 com examen corrige collection durandeu pdf

**physique et chimie 3e collection durandeu hachette** - Aug 03 2022

web telecharger cours physique et chimie 3e collection durandeu hachette pdf physique et chimie 3e collection durandeu

hachette annales annabrevet 2017 physique chimie svt technologie 3e physique chimie 5e 4e 3e cycle 4 espace cahier d

exercices et corrigés du manuel physique chimie 3e livret du professeur cpanel 2017

**physique chimie collection durandeu 3eme hachette 2022** - Dec 07 2022

web physique et chimie 3e collection durandeu hachette vous adoptez un manuel papier ou un manuel numérique hachette

pour vos élèves le livre du professeur cours de chimie physique 2022 catalyst global

**physique et chimie 3e collection durandeu hachette** - Nov 06 2022

web physique chimie collection durandeu 3eme hachette full pdf vous y trouverez des résumés de cours pour réviser les

connaissances indispensables des exercices de contrôle des connaissances pour assimiler les notions

**physique chimie collection durandeu 3eme hachette copy** - Feb 26 2022

web aug 11 2023 physique chimie collection durandeu 3eme hachette 2 4 downloaded from uniport edu ng on august 11

2023 by guest sciences physiques et chimiques jean pierre durandeu 2012 physique chimie 2007 sciences physiques 3e

professionnelle technologique jean pierre durandeu 2004

*physique et chimie 3e collection durandeu hachette* - Jan 28 2022

web jean pierre durandeu 2000 plus de 200 exercices classés par thèmes et par niveaux de difficulté avec tous les corrigés

détaillés et commentés idéal pour un entraînement intensif en maths ou physique chimie physique chimie 3e jean pierre

durandeu 2012 un outil prêt à l'emploi pour évaluer les compétences du socle le nouveau

**physique chimie en 3e hachette Éducation enseignants** - Jul 14 2023

web les guides pédagogiques et les versions corrigées des nouveautés 2023 sont disponibles retrouvez les sur les fiches produit des versions papier nouveautés ma prépa métiers découvrez les 2 nouveaux ouvrages dans notre collection ma prépa métiers histoire géographie 3e prépa métiers