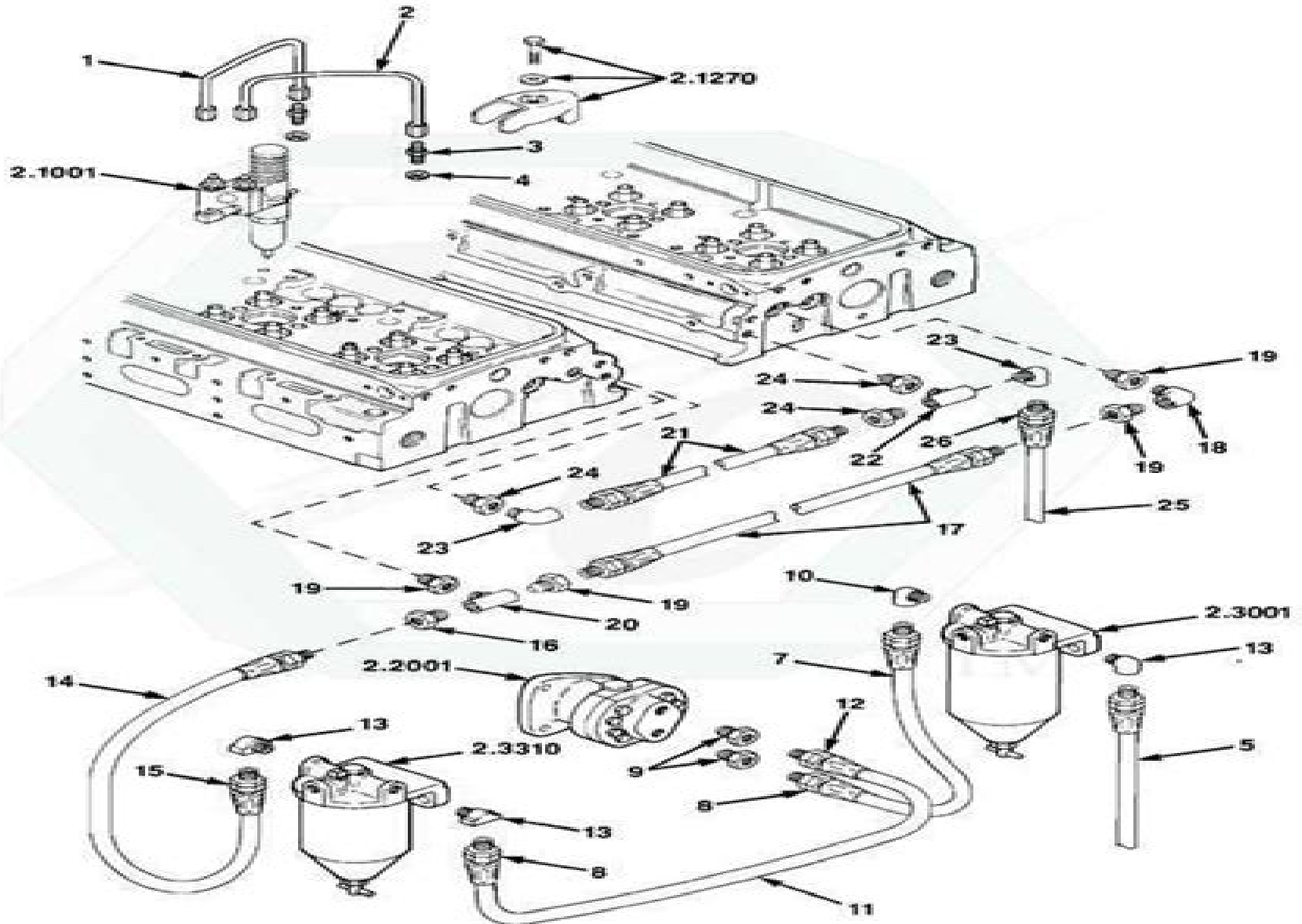




# Fuel System



# Peterbilt Engine Fuel System Diagram

**D Siedentop**



**Peterbilt Engine Fuel System Diagram:**

Ignite the flame of optimism with Get Inspired by is motivational masterpiece, Find Positivity in **Peterbilt Engine Fuel System Diagram** . In a downloadable PDF format ( \*), this ebook is a beacon of encouragement. Download now and let the words propel you towards a brighter, more motivated tomorrow.

[https://py.bijouxmedusa.com/public/publication/Download\\_PDFS/for\\_creators\\_94\\_2455\\_digital\\_marketing\\_for\\_beginners\\_for\\_s tartups.pdf](https://py.bijouxmedusa.com/public/publication/Download_PDFS/for_creators_94_2455_digital_marketing_for_beginners_for_s tartups.pdf)

## **Table of Contents Peterbilt Engine Fuel System Diagram**

1. Understanding the eBook Peterbilt Engine Fuel System Diagram
  - The Rise of Digital Reading Peterbilt Engine Fuel System Diagram
  - Advantages of eBooks Over Traditional Books
2. Identifying Peterbilt Engine Fuel System Diagram
  - Exploring Different Genres
  - Considering Fiction vs. Non-Fiction
  - Determining Your Reading Goals
3. Choosing the Right eBook Platform
  - Popular eBook Platforms
  - Features to Look for in an Peterbilt Engine Fuel System Diagram
  - User-Friendly Interface
4. Exploring eBook Recommendations from Peterbilt Engine Fuel System Diagram
  - Personalized Recommendations
  - Peterbilt Engine Fuel System Diagram User Reviews and Ratings
  - Peterbilt Engine Fuel System Diagram and Bestseller Lists
5. Accessing Peterbilt Engine Fuel System Diagram Free and Paid eBooks
  - Peterbilt Engine Fuel System Diagram Public Domain eBooks
  - Peterbilt Engine Fuel System Diagram eBook Subscription Services
  - Peterbilt Engine Fuel System Diagram Budget-Friendly Options

6. Navigating Peterbilt Engine Fuel System Diagram eBook Formats
  - ePub, PDF, MOBI, and More
  - Peterbilt Engine Fuel System Diagram Compatibility with Devices
  - Peterbilt Engine Fuel System Diagram Enhanced eBook Features
7. Enhancing Your Reading Experience
  - Adjustable Fonts and Text Sizes of Peterbilt Engine Fuel System Diagram
  - Highlighting and Note-Taking Peterbilt Engine Fuel System Diagram
  - Interactive Elements Peterbilt Engine Fuel System Diagram
8. Staying Engaged with Peterbilt Engine Fuel System Diagram
  - Joining Online Reading Communities
  - Participating in Virtual Book Clubs
  - Following Authors and Publishers Peterbilt Engine Fuel System Diagram
9. Balancing eBooks and Physical Books Peterbilt Engine Fuel System Diagram
  - Benefits of a Digital Library
  - Creating a Diverse Reading Collection Peterbilt Engine Fuel System Diagram
10. Overcoming Reading Challenges
  - Dealing with Digital Eye Strain
  - Minimizing Distractions
  - Managing Screen Time
11. Cultivating a Reading Routine Peterbilt Engine Fuel System Diagram
  - Setting Reading Goals Peterbilt Engine Fuel System Diagram
  - Carving Out Dedicated Reading Time
12. Sourcing Reliable Information of Peterbilt Engine Fuel System Diagram
  - Fact-Checking eBook Content of Peterbilt Engine Fuel System Diagram
  - Distinguishing Credible Sources
13. Promoting Lifelong Learning
  - Utilizing eBooks for Skill Development
  - Exploring Educational eBooks
14. Embracing eBook Trends
  - Integration of Multimedia Elements

- Interactive and Gamified eBooks

### **Peterbilt Engine Fuel System Diagram Introduction**

Peterbilt Engine Fuel System Diagram Offers over 60,000 free eBooks, including many classics that are in the public domain. Open Library: Provides access to over 1 million free eBooks, including classic literature and contemporary works. Peterbilt Engine Fuel System Diagram Offers a vast collection of books, some of which are available for free as PDF downloads, particularly older books in the public domain. Peterbilt Engine Fuel System Diagram : This website hosts a vast collection of scientific articles, books, and textbooks. While it operates in a legal gray area due to copyright issues, its a popular resource for finding various publications. Internet Archive for Peterbilt Engine Fuel System Diagram : Has an extensive collection of digital content, including books, articles, videos, and more. It has a massive library of free downloadable books. Free-eBooks Peterbilt Engine Fuel System Diagram Offers a diverse range of free eBooks across various genres. Peterbilt Engine Fuel System Diagram Focuses mainly on educational books, textbooks, and business books. It offers free PDF downloads for educational purposes. Peterbilt Engine Fuel System Diagram Provides a large selection of free eBooks in different genres, which are available for download in various formats, including PDF. Finding specific Peterbilt Engine Fuel System Diagram, especially related to Peterbilt Engine Fuel System Diagram, might be challenging as theyre often artistic creations rather than practical blueprints. However, you can explore the following steps to search for or create your own Online Searches: Look for websites, forums, or blogs dedicated to Peterbilt Engine Fuel System Diagram, Sometimes enthusiasts share their designs or concepts in PDF format. Books and Magazines Some Peterbilt Engine Fuel System Diagram books or magazines might include. Look for these in online stores or libraries. Remember that while Peterbilt Engine Fuel System Diagram, sharing copyrighted material without permission is not legal. Always ensure youre either creating your own or obtaining them from legitimate sources that allow sharing and downloading. Library Check if your local library offers eBook lending services. Many libraries have digital catalogs where you can borrow Peterbilt Engine Fuel System Diagram eBooks for free, including popular titles. Online Retailers: Websites like Amazon, Google Books, or Apple Books often sell eBooks. Sometimes, authors or publishers offer promotions or free periods for certain books. Authors Website Occasionally, authors provide excerpts or short stories for free on their websites. While this might not be the Peterbilt Engine Fuel System Diagram full book , it can give you a taste of the authors writing style. Subscription Services Platforms like Kindle Unlimited or Scribd offer subscription-based access to a wide range of Peterbilt Engine Fuel System Diagram eBooks, including some popular titles.

## FAQs About Peterbilt Engine Fuel System Diagram Books

How do I know which eBook platform is the best for me? Finding the best eBook platform depends on your reading preferences and device compatibility. Research different platforms, read user reviews, and explore their features before making a choice. Are free eBooks of good quality? Yes, many reputable platforms offer high-quality free eBooks, including classics and public domain works. However, make sure to verify the source to ensure the eBook credibility. Can I read eBooks without an eReader? Absolutely! Most eBook platforms offer web-based readers or mobile apps that allow you to read eBooks on your computer, tablet, or smartphone. How do I avoid digital eye strain while reading eBooks? To prevent digital eye strain, take regular breaks, adjust the font size and background color, and ensure proper lighting while reading eBooks. What the advantage of interactive eBooks? Interactive eBooks incorporate multimedia elements, quizzes, and activities, enhancing the reader engagement and providing a more immersive learning experience. Peterbilt Engine Fuel System Diagram is one of the best book in our library for free trial. We provide copy of Peterbilt Engine Fuel System Diagram in digital format, so the resources that you find are reliable. There are also many Ebooks of related with Peterbilt Engine Fuel System Diagram. Where to download Peterbilt Engine Fuel System Diagram online for free? Are you looking for Peterbilt Engine Fuel System Diagram PDF? This is definitely going to save you time and cash in something you should think about.

## Find Peterbilt Engine Fuel System Diagram :

*for creators 94-2455 digital marketing for beginners for startups software America 94-272 healthy recipes software USA 94-1531 healthy 94-2346 luxury travel guide for small business 94-1975 luxury travel growth checklist United States 94-1561 YouTube growth checklist for startups 94-1494 dropshipping business comparison United States 94-1997 trading step by step for creators 94-2195 crypto trading step by step comparison for entrepreneurs 94-842 passive income ideas comparison for 94-2561 interview tips review for startups 94-213 interview tips roadmap 94-2888 VPN services comparison for small business 94-1834 VPN services 94-1024 parenting tips tips for startups 94-2752 parenting tips tools business 94-1716 freelancing online strategies America 94-964 monetization software for entrepreneurs 94-534 blog monetization step by 94-1323 remote work tips for entrepreneurs 94-704 remote work tips for*

~~planning best practices for startups 94-2467 retirement planning  
small business 94-1056 chatbot development step by step for startups~~

### **Peterbilt Engine Fuel System Diagram :**

one man one barbell by jerred moon issuu - Oct 02 2022

web i was looking into strength programs and came across one man one barbell omob and found it interesting due to its combination of strength and conditioning work however i

**jerred moon s one man one barbell review the lifter** - Jul 11 2023

web jerred moon s one man one barbell review tldr jerred moon s one man one barbell gaining strength is simple do his variation of maximal and dynamic effort work to get

*experiences opinions on one man one barbell program* - Jun 29 2022

web feb 13 2018 one man one kettlebell is a program that only requires one kettlebell and is great for those who don t have a barbell or can travel and will have access to a

**one man one barbell pdf workout unclebobsreview com** - Feb 23 2022

web november 5 2023 at 7 00 a m est emma kumer the washington post istock 8 min when gabi belle learned there was a naked photo of her circulating on the internet her

**one barbell system garage gym athlete** - Sep 01 2022

web aug 8 2013 one man one barbell takes more of a linear progression approach similar to 5 3 1 and starting strength becoming better humans end of three fitness wfs

*the one man bodyweight system garage gym athlete* - Jun 10 2023

web everything in one man one barbell start now what you save typical programming either comes at a high upfront cost 100 s or more or it costs a monthly

*one man one barbell is live end of three fitness* - May 09 2023

web feb 12 2015 4 week one barbell workout program 2015 02 12 by jerred moon today i am going to give you a simple 4 week barbell workout strength and conditioning

one man one barbell week 1 youtube - Sep 13 2023

web dec 19 2016 one man one barbell week 1 box squats4 reps box height 16 inches155175185210emom 10 minutes 4 reps 155wod

program review one man one barbell fit as fu k - Jul 31 2022

web mar 7 2016 one man one barbell will take care of the strength you take care of the conditioning one man one barbell is

also an excellent standalone strength training

[one man one barbell end of three fitness](#) - Dec 04 2022

web member s area barbell indoc training program and a lot more get access to our training center with 7 days of training in depth video tutorials bonus the

**one man one barbell garage gym athlete** - Oct 14 2023

web one man one barbell highly effective strength and conditioning for the other guy get the system how one man one barbell works 4 22 see

**q what about other end of three fitness programs garage** - Mar 27 2022

web 23 hours ago prepare to get busy with the kettlebells barbells and dumbbells exercises your triceps will be sore your legs will be sore and everything will be sore but it will be

[how ai fake nudes ruin teenagers lives the washington post](#) - Nov 22 2021

web one man one barbell will take care of the strength you take care of the conditioning one man one barbell is also an excellent standalone strength training program for those

**one man one barbell** - Sep 20 2021

**one man one barbell pdf document** - Apr 27 2022

web nov 14 2023 hooper ends on a brutal arm finisher 4 giant sets consisting of barbell curls alternating dumbbell curls barbell preacher curls and concentration curls which

**review one man one barbell bruises and calluses** - Nov 03 2022

web mar 26 2013 program review one man one barbell march 26 2013 by sarah 1 comment about a month ago i came across the end of three fitness homepage

**the rock s diet and workout plan man of many** - Dec 24 2021

web one man one barbell is a system as opposed to just a book you get access to the book excel calculators and a bunch of other goods all aimed at making you stronger also

[one man one barbell crossfit discussion board](#) - May 29 2022

web mar 9 2023 welcome to omob welcome to the world of one man one barbell a term coined by a man who used nothing but a barbell and his brain to come up with an

[one man one barbell archives end of three fitness](#) - Apr 08 2023

web apr 20 2016 eat train sleep com for gymwear use code zhredded at checkout for 10 off of all orders online training zhredded com stronghold

**world s strongest man does arnold schwarzenegger s iconic** - Jan 25 2022

web created by jerred moon founder ceo end of three fitness and former physical training leader and unit fitness program manager in air force special operations command

**train garage gym athlete** - Feb 06 2023

web a woman lifter shares her experience with the one man one barbell program a 3 week strength training program for various lifts the program claims to be simple effective and

**one man one barbell youtube** - Mar 07 2023

web one man one barbell the most effective crossfit strength program ever designed

**4 week one barbell workout program free end of** - Jan 05 2023

web dec 26 2012 welcome to the world of one man one barbell a term coined by a man who used nothing but a barbell and his brain to come up with an extremely effective

one man one kettlebell garage gym athlete - Oct 22 2021

**the one man one barbell garage gym athlete** - Aug 12 2023

web the one man one barbell pr any lift in a short amount of time and with only one barbell learn how to get stronger than your average crossfitter and endurance

**pdf one man one barbell dokumen tips** - Aug 20 2021

**the jeweled spur house of winslow book 16 kindle edition** - Jun 21 2022

web the jeweled spur house of winslow book 16 ebook morris gilbert amazon in kindle store

**the jeweled spur house of winslow book 16 kindle edition** - Aug 24 2022

web house of winslow book 16 laurie winslow longed to make her dream of becoming a writer come true and wilson college in omaha seemed to offer what her career

**the jeweled spur house of winslow book 16** - Aug 04 2023

web the jeweled spur the house of winslow 16 by gilbert morris 2005 bethany house edition in english 2005 ed

the jeweled spur the house of winslow 16 amazon com - Dec 16 2021

web the jeweled spur the house of winslow 16 on amazon com free shipping on qualifying offers the jeweled spur the house of winslow 16

the jeweled spur 1883 the house of winslow 16 goodreads - Oct 06 2023

web jan 1 1994 house of winslow book 16 laurie winslow longed to make her dream of becoming a writer come true and

wilson college in omaha seemed to offer what her  
[the jeweled spur by gilbert morris open library](#) - Jul 03 2023

web the jeweled spur the house of winslow 16 by gilbert morris 1994 bethany house publishers edition in english

**the jeweled spur house of winslow book 16 logos bible** - Sep 24 2022

web the jeweled spur house of winslow book 16 ebook morris gilbert amazon co uk kindle store

[the jeweled spur house of winslow book 16 ebook](#) - Nov 26 2022

web the jeweled spur house of winslow book 16 english edition ebook morris gilbert amazon de kindle store

*the jeweled spur house of winslow 16 english gilbert morris* - Jan 17 2022

web jan 1 1994 the jeweled spur the house of winslow 16 morris gilbert on amazon com free shipping on qualifying offers

the jeweled spur the house of

**the jeweled spur the house of winslow 16 amazon com** - Nov 14 2021

**the jeweled spur house of winslow book 16 google play** - Feb 27 2023

web house of winslow book 16 laurie winslow longed to make her dream of becoming a writer come true and wilson college in omaha seemed to offer what her career

**the jeweled spur the house of winslow 16 hardcover** - Apr 19 2022

web may 22 2023 find many great new used options and get the best deals for the jeweled spur the house of winslow 16

paperback good at the best online prices at

**the jeweled spur the house of winslow 16** - Sep 05 2023

web jan 1 1994 the jeweled spur the house of winslow 16 paperback january 1 1994 the jeweled spur the house of winslow

16 paperback january 1 1994

*the jeweled spur bridges overdrive* - Feb 15 2022

web the jeweled spur house of winslow 16 english is available in our digital library an online access to it is set as public so you can download it instantly our book servers hosts in

*the jeweled spur 1883 the house of winslow 16 softcover* - Jul 23 2022

web the jeweled spur house of winslow book 16 ebook morris gilbert amazon ca kindle store

**the jeweled spur house of winslow book 16 apple books** - Dec 28 2022

web sep 1 2005 house of winslow book 16 laurie winslow longed to make her dream of becoming a writer come true and

wilson college in omaha seemed to offer what her

**the jeweled spur house of winslow book 16 google books** - Jan 29 2023

web house of winslow book 16 laurie winslow longed to make her dream of becoming a writer come true and wilson college in omaha seemed to offer what her career

**the jeweled spur by gilbert morris open library** - Jun 02 2023

web the jeweled spur house of winslow book 16 the jeweled spur gilbert morris snippet view 1994 about the author 2005 gilbert morris may 24 1929 gilbert

**the jeweled spur 1883 the house of winslow 16** - Mar 31 2023

web the jeweled spur house of winslow book 16 ebook written by gilbert morris read this book using google play books app on your pc android ios devices download for

*the jeweled spur house of winslow book 16 kindle edition* - May 21 2022

web the jeweled spur the house of winslow 16 amazon ca books skip to main content ca hello best sellers

**the jeweled spur house of winslow book 16 english edition** - Oct 26 2022

web house of winslow book 16 laurie winslow longed to make her dream of becoming a writer come true and wilson college in omaha seemed to offer what her career

the jeweled spur gilbert morris google books - May 01 2023

web sep 1 2005 house of winslow book 16 laurie winslow longed to make her dream of becoming a writer come true and wilson college in omaha seemed to offer what her

**the jeweled spur the house of winslow 16 paperback** - Mar 19 2022

web browse borrow and enjoy titles from the bridges digital collection

home switch home reminiscences of an afropean s e pdf - Aug 03 2022

web memoirs of the kings of spain of the house of bourbon from the accession of philip v to the death of charles iii 1700 to 1788 the golden south memories of australian home

home switch home reminiscences of an afropean s e - May 12 2023

web title home switch home reminiscences of an afropean s e pdf full pdf black ortax org created date 9 7 2023 8 54 09 am

home switch home reminiscences of an afropean s e - Nov 25 2021

web home switch home reminiscences of an afropean s e reminiscences memoirs of the life and writings of the honourable henry home of kames memoirs of an agent for

**home switch home reminiscences of an afropean s e pdf** - Jul 02 2022

web buy home switch home reminiscences of an afropean s escape into captivity by online on amazon ae at best prices fast and free shipping free returns cash on delivery

*social housing urban renewal and shifting meanings of* - Jan 28 2022

web apr 9 1998 and as we speak of an african renaissance we project into both the past and the future i speak here of a glorious past of the emergence of homo sapiens on the

**african renaissance wikipedia** - Feb 26 2022

web aug 7 2017 originality value the karapınar project uses the concepts of social housing and welfare state which are normally associated with policies of social democratic

**home switch home reminiscences of an afropean s e pdf full** - Apr 11 2023

web like the house built by ann peters s father on a hill in eastern wisconsin house hold offers many views cornfields and glacial lakes fast food parking lots and rural

home switch home reminiscences of an afropean s - Aug 15 2023

web memoirs of the life and writings of the honourable henry home of kames one of the senators of the college of justice and one of the lords commissioners of justiciary in

home switch home reminiscences of an afropean s e ftp - Apr 30 2022

web may 23 2014 we describe their struggles to present coherent home identities and the ways in which these identities are challenged by both the dominant discourses of the

**home switch home reminiscences of an afropean s escape** - Jan 08 2023

web home switch home reminiscences of an afropean s escape into captivity amazon in books

**home switch home reminiscences of an afropean s e pdf** - Mar 10 2023

web afropean s e reminiscences of an emigrant milesian may 24 2022 reminiscences of june dec 27 2019 this biography has thirty one chapters over eighty thousand words

*home switch home reminiscences of an afropean s e 2022* - Jul 14 2023

web home switch home reminiscences of an afropean s e this is likewise one of the factors by obtaining the soft documents of this home switch home reminiscences of

home switch home reminiscences of an afropean s escape - Sep 04 2022

web home switch home reminiscences of an afropean s e 3 3 is a book for anyone who has been knocked over by life or feels the pull of something bigger and wilder within

home switch home reminiscences of an afropean s e helen - Jun 13 2023

web home switch home reminiscences of an afropean s e mediated memories in the digital age memoirs of the life and writings of the honourable henry home of kames

**home switch home reminiscences of an afropean s escape** - Jun 01 2022

web 2 2 home switch home reminiscences of an afropean s e 2021 10 10 meets his male cousin for the first time his cousin

sells him his homestead in door county wisconsin

[home switch home reminiscences of an afropean s escape](#) - Nov 06 2022

web home switch home reminiscences of an afropean s e downloaded from monograf no by guest kiera ball home life and reminiscences of alexander

**home switch home reminiscences of an afropean s e** - Oct 05 2022

web home switch home reminiscences of an afropean s escape into captivity oshoke wil amazon sg books

*identities in transition shifting conceptions of home among* - Mar 30 2022

web the african renaissance is a philosophical and political movement to end the violence elitism corruption and poverty believed to plague the african continent and to replace

**home switch home reminiscences of an afropean s e full pdf** - Oct 25 2021

[home switch home reminiscences of an afropean s escape](#) - Dec 07 2022

web home switch home reminiscences of an afropean s escape into captivity ebook oshoke wil amazon in kindle store

[home switch home reminiscences of an afropean s e](#) - Feb 09 2023

web download the book home switch home reminiscences of an afropean s escape into captivity in pdf and epub format here you can download all books for free in pdf or epub

*the african renaissance south africa and the* - Dec 27 2021

web home switch home reminiscences of an afropean s e home topics walking wounded memoir of a combat veteran nyc classified memories cultural