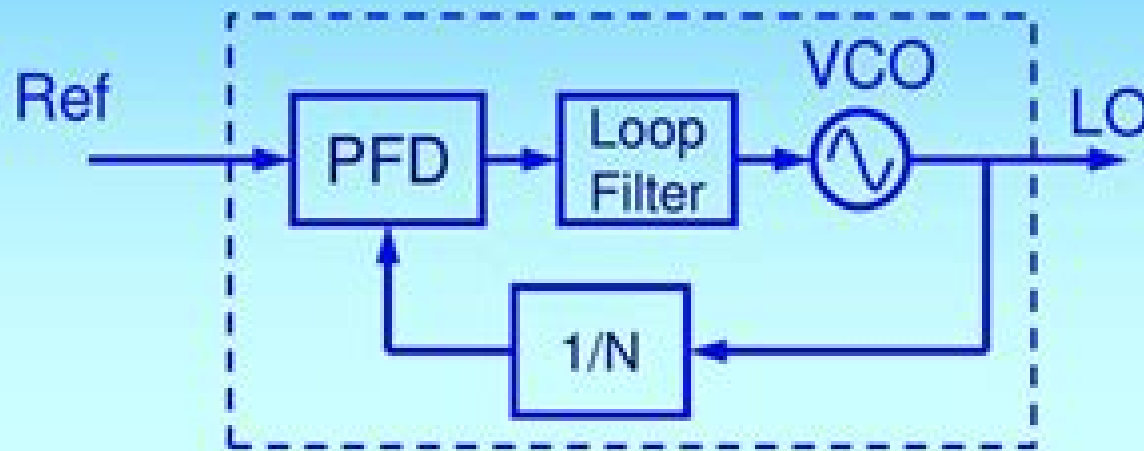


Phase Locked Loops



$$f_{LO} = f_{ref} * N/M$$

Once locked, $f_{ref} = f_{div}$
But $f_{div} = f_{LO} / N$
Therefore, $f_{LO} = N * f_{ref}$.
Smallest change in f_{LO} is f_{ref} .

For high tuning resolution, need very small f_{ref} .

Phase Locked Loop Electrical Engineering Nmt

Christine M. Lontz



Phase Locked Loop Electrical Engineering Nmt:

Phase-Lock Basics William F. Egan, 2007-10-16 Broad based and hands on Phase Lock Basics Second Edition is both easy to understand and easy to customize The text can be used as a theoretical introduction for graduate students or when used with MATLAB simulation software the book becomes a virtual laboratory for working professionals who want to improve their understanding of the design process and apply it to the demands of specific situations This second edition features a large body of new statistical data obtained from simulations and uses available experimental data for confirmation of the simulation results

Scientific and Technical Aerospace Reports, 1973 Lists citations with abstracts for aerospace related reports obtained from world wide sources and announces documents that have recently been entered into the NASA Scientific and Technical Information Database

International Who's who of Professionals Christine M. Lontz, 2001

Canadian Journal of Electrical and Computer Engineering, 1995

Monolithic Phase-Locked Loops and Clock

Recovery Circuits Behzad Razavi, 1996-04-18 Featuring an extensive 40 page tutorial introduction this carefully compiled anthology of 65 of the most important papers on phase locked loops and clock recovery circuits brings you comprehensive coverage of the field all in one self contained volume You ll gain an understanding of the analysis design simulation and implementation of phase locked loops and clock recovery circuits in CMOS and bipolar technologies along with valuable insights into the issues and trade offs associated with phase locked systems for high speed low power and low noise

Phase-locked Loops Paul V. Brennan, 1996 Written from an engineering viewpoint this book is a concise guide to the theory and design of phase locked loop circuits It includes novel techniques and analytical treatments as well as worked examples

Phase Locked Loops J. Encinas, 2012-09-24 This book is devoted to a detailed and comprehensive study of phase locked loops aimed at preparing the reader to design them and to understand their applications It is written at a level corresponding to a final year electronics undergraduate or a postgraduate student Linear and semidigital phase locked loops are studied in nine chapters Most of this book is concerned with analogue PLLs but there are chapters on semidigital PLLs and on applications The mathematical tools and background required are described at the end of the book Important symbols

A Amplifier gain
Mixer gain V_1
A Filter bandwidth Hz
Bi Low pass filter bandwidth Hz
BL Unilateral equivalent noise bandwidth Hz
Bn D s Polynomial of variable s
Peak amplitude of signal voltage V
Ee Peak amplitude of reference signal voltage V
Er Carrier frequency Hz
Ie Intermediate frequency Hz
Ii Intermediate frequency Hz
IIF Local oscillator frequency Hz
Ir F s Transfer function of loop filter
G Amplifier voltage gain
k FM modulator sensitivity rad s
1 V 1 m K Motor coefficient rad s
1 Back electromotive force coefficient V s rad
1 K1 Reverse back electromotive force coefficient rad V
1 S 1 Ke PC conversion gain V rad s
1 Kd Motor torque coefficient N m A
1 KM 1 1 VCO conversion gain rads V
Ko Conversion gain of PLL
S 2 Kv m Modulation factor
m Integer n Integer n Loop order
N N Integers representing division
1 2 1

Frequency Acquisition Techniques for Phase Locked Loops Daniel B. Talbot, 2012-08-24 How to

acquire the input frequency from an unlocked state A phase locked loop PLL by itself cannot become useful until it has acquired the applied signal s frequency Often a PLL will never reach frequency acquisition capture without explicit assistive circuits Curiously few books on PLLs treat the topic of frequency acquisition in any depth or detail Frequency Acquisition Techniques for Phase Locked Loops offers a no nonsense treatment that is equally useful for engineers technicians and managers Since mathematical rigor for its own sake can degenerate into intellectual rigor mortis the author introduces readers to the basics and delivers useful information with clear language and minimal mathematics With most of the approaches having been developed through years of experience this completely practical guide explores methods for achieving the locked state in a variety of conditions as it examines Performance limitations of phase frequency detector based phase locked loops The quadricorrelator method for both continuous and sampled modes Sawtooth ramp and sample phase detector and how its waveform contains frequency error information that can be extracted The benefits of a self sweeping self extinguishing topology Sweep methods using quadrature mixer based lock detection The use of digital implementations versus analog Frequency Acquisition Techniques for Phase Locked Loops is an important resource for RF microwave engineers in particular circuit designers practicing electronics engineers involved in frequency synthesis phase locked loops carrier or clock recovery loops radio frequency integrated circuit design and aerospace electronics and managers wanting to understand the technology of phase locked loops and frequency acquisition assistance techniques or jitter attenuating loops Errata can be found by visiting the Book Support Site at <http://booksupport.wiley.com>

Nanoelectronic Mixed-Signal System Design Saraju Mohanty, 2015-02-20 Covering both the classical and emerging nanoelectronic technologies being used in mixed signal design this book addresses digital analog and memory components Winner of the Association of American Publishers 2016 PROSE Award in the Textbook Physical Sciences Mathematics category Nanoelectronic Mixed Signal System Design offers professionals and students a unified perspective on the science engineering and technology behind nanoelectronics system design Written by the director of the NanoSystem Design Laboratory at the University of North Texas this comprehensive guide provides a large scale picture of the design and manufacturing aspects of nanoelectronic based systems It features dual coverage of mixed signal circuit and system design rather than just digital or analog only Key topics such as process variations power dissipation and security aspects of electronic system design are discussed Top down analysis of all stages from design to manufacturing Coverage of current and developing nanoelectronic technologies not just nano CMOS Describes the basics of nanoelectronic technology and the structure of popular electronic systems Reveals the techniques required for design excellence and manufacturability

Phase-Locked Loops John L. Stensby, 1997-06-19 Applications of phase locked loops play an increasingly important role in modern electronic systems and the last 25 years have seen new developments in the underlying theories as well Phase Locked Loops presents the latest information on the basic theory and applications of PLLs Organized in a logical format it

first introduces the subject in a qualitative manner and discusses key applications Next it develops basic models for components of a PLL and these are used to develop a basic PLL model The text then discusses both linear and nonlinear methods that are used to analyze the basic PLL model This book includes extensive coverage of the nonlinear behavior of phase locked loops an important area of this field and one where exciting new research is being performed No other book available covers this critical area in such careful detail Improvements brought about by the advent of the personal computer especially in the use of numerical results are integrated into the text This book also focuses on PLL component technologies used in system implementation

Phase-locked Loop Engineering Handbook for Integrated Circuits Stanley J. Goldman, 2007-01-01 Phased locked loops PLLs are control systems that have become indispensable in today's electronic circuitry This highly accessible handbook is a practical resource that electronics engineers and circuit designers will find invaluable when developing these systems PLLs are highly complex to design and are just as difficult to test To speed development and ensure effective testing engineers can turn to this collection of practical solutions SPICE listings simulation techniques and testing set ups The book offers in depth coverage of monolithic phase locked loops and the latest generation of PLLs showing how to meet the demand for high powered low cost electronics Moreover this cutting edge volume examines the complexities and new technologies for integrating monolithic PLLs on a single chip

Phase-Locked Loops Woogeun Rhee, Zhiping Yu, 2024-01-18 Phase Locked Loops Discover the essential materials for phase locked loop circuit design from fundamentals to practical design aspects A phase locked loop PLL is a type of circuit with a range of important applications in telecommunications and computing It generates an output signal with a controlled relationship to an input signal such as an oscillator which matches the phases of input and output signals This is a critical function in coherent communication systems with the result that the theory and design of these circuits are essential to electronic communications of all kinds

Phase Locked Loops System Perspectives and Circuit Design Aspects provides a concise accessible introduction to PLL design It introduces readers to the role of PLLs in modern communication systems the fundamental techniques of phase lock circuitry and the possible applications of PLLs in a wide variety of electronic communications contexts The first book of its kind to incorporate modern architectures and to balance theoretical fundamentals with detailed design insights this promises to be a must own text for students and industry professionals The book also features Coverage of PLL basics with insightful analysis and examples tailored for circuit designers Applications of PLLs for both wireless and wireline systems Practical circuit design aspects for modern frequency generation frequency modulation and clock recovery systems

Phase Locked Loops is essential for graduate students and advanced undergraduates in integrated circuit design as well researchers and engineers in electrical and computing subjects

Phase Locked Loops 6/e Roland E. Best, 2007-08-13 The Definitive Introduction to Phase Locked Loops Complete with Software for Designing Wireless Circuits The Sixth Edition of Roland Best's classic *Phase Locked Loops* has been updated to equip you with today's definitive introduction to PLL design complete with

powerful PLL design and simulation software written by the author Filled with all the latest PLL advances this celebrated sourcebook now includes new chapters on frequency synthesis CAD for PLLs mixed signal PLLs all digital PLLs and software PLLs plus a new collection of sample communications applications An essential tool for achieving cutting edge PLL design the Sixth Edition of Phase Locked Loops features A wealth of easy to use methods for designing phase locked loops Over 200 detailed illustrations New to this edition new chapters on frequency synthesis including fractional N PLL frequency synthesizers using sigma delta modulators CAD for PLLs mixed signal PLLs all digital PLLs and software PLLs new PLL communications applications including an overview on digital modulation techniques Inside this Updated PLL Design Guide Introduction to PLLs Mixed Signal PLL Components Mixed Signal PLL Analysis PLL Performance in the Presence of Noise Design Procedure for Mixed Signal PLLs Mixed Signal PLL Applications Higher Order Loops CAD and Simulation of Mixed Signal PLLs All Digital PLLs ADPLLs CAD and Simulation of ADPLLs The Software PLL SPLL The PLL in Communications State of the Art Commercial PLL Integrated Circuits Appendices The Pull In Process The Laplace Transform Digital Filter Basics Measuring PLL Parameters

Digital Phase Lock Loops Saleh R. Al-Araji,Zahir M. Hussain,Mahmoud A. Al-Qutayri,2007-04-29 This exciting new book covers various types of digital phase lock loops It presents a comprehensive coverage of a new class of digital phase lock loops called the time delay tanlock loop TDTL It also details a number of architectures that improve the performance of the TDTL through adaptive techniques that overcome the conflicting requirements of the locking range and speed of acquisition

Threshold Study of Phase-locked Loops Michael Edward Austin,1962

Phaselock Techniques Floyd M. Gardner,2005-07-25 A greatly revised and expanded account of phaselock technology The Third Edition of this landmark book presents new developments in the field of phaselock loops some of which have never been published until now Established concepts are reviewed critically and recommendations are offered for improved formulations The work reflects the author s own research and many years of hands on experience with phaselock loops Reflecting the myriad of phaselock loops that are now found in electronic devices such as televisions computers radios and cell phones the book offers readers much new material including Revised and expanded coverage of transfer functions Two chapters on phase noise Two chapters examining digital phaselock loops A chapter on charge pump phaselock loops Expanded discussion of phase detectors and of oscillators A chapter on anomalous phaselocking A chapter on graphical aids including Bode plots root locus plots and Nichols charts As in the previous editions the focus of the book is on underlying principles which remain valid despite technological advances Extensive references guide readers to additional information to help them explore particular topics in greater depth Phaselock Techniques Third Edition is intended for practicing engineers researchers and graduate students This critically acclaimed book has been thoroughly updated with new information and expanded for greater depth

Phase-locked Loops Shambhu N. Sharma,2020 The historic account of the Phase Locked Loops can be traced back from the idea of designing an electromechanical system with the objective of controlling the

oscillation of the pendulum of the bell Great George The method is to contrast the phase of pendulum and the incoming telegraph signal phase using the electromechanical system That generates the correction signal varying the pendulum oscillation The idea was conceived as well as implemented by David Robertson Professor of Electrical Engineering at the University of Bristol The term Phase Locked Loop was coined to this technique by later Researchers in 1932 Professor David Robertson is credited to the Phase Locked Loop for pioneering the technique In general setting the Phase Locked Loops are for synchronization purposes The phase locked loops perspective hinges on the analysis functions and applications

Thomas Register of American Manufacturers and Thomas Register Catalog File ,1997 Vols for 1970 71 includes manufacturers catalogs [Phase-Locked Loops for Wireless Communications](#) Donald R. Stephens,2002 A tutorial of phase locked loops from analogue implementations to digital and optical designs This text establishes a foundation of continuous time analysis techniques and maintains a consistent notation as discrete time and non uniform sampling are presented It examines charge pumps and the complementary sequential phase detector Frequency synthesizers and digital divider analysis techniques are also included in this edition Starting with a historical overview presenting analogue digital and optical PLLs discussing phase noise analysis and including circuits algorithms for data synchronization this volume illustrates the techniques being used in this field The subjects covered include development of phase locked loops from analogue to digital and optical with notation throughout expanded coverage of the loop filters used to design second and third order PLLs design examples on delay locked loops used to synchronize circuits on CPUs and ASICS new material on digital dividers that dominate a frequency synthesizer s noise floor techniques to analytically estimate the phase noise of a divider presentation of optical phase locked loops with primers on the optical components and fundamentals of optical mixing a section on automatic frequency control to provide frequency locking of the lasers instead of phase locking and a presentation of charge pumps counters and delay locked loops This volume includes the topics that should be of interest to wireless optics and the traditional phase locked loop specialist to design circuits and software algorithms **Phase-Locked Loops** Alain Blanchard,1976-03-03 For design test and control engineers technical management and students

This is likewise one of the factors by obtaining the soft documents of this **Phase Locked Loop Electrical Engineering Nmt** by online. You might not require more era to spend to go to the ebook instigation as skillfully as search for them. In some cases, you likewise pull off not discover the proclamation Phase Locked Loop Electrical Engineering Nmt that you are looking for. It will very squander the time.

However below, once you visit this web page, it will be as a result extremely simple to acquire as capably as download guide Phase Locked Loop Electrical Engineering Nmt

It will not take many period as we accustom before. You can get it though behave something else at home and even in your workplace. as a result easy! So, are you question? Just exercise just what we come up with the money for below as capably as review **Phase Locked Loop Electrical Engineering Nmt** what you taking into account to read!

<https://py.bijouxmedusa.com/book/book-search/default.aspx/for%20small%20business%205%202875%20home%20organizati on%20roadmap%20for%20startups%205%20265.pdf>

Table of Contents Phase Locked Loop Electrical Engineering Nmt

1. Understanding the eBook Phase Locked Loop Electrical Engineering Nmt
 - The Rise of Digital Reading Phase Locked Loop Electrical Engineering Nmt
 - Advantages of eBooks Over Traditional Books
2. Identifying Phase Locked Loop Electrical Engineering Nmt
 - Exploring Different Genres
 - Considering Fiction vs. Non-Fiction
 - Determining Your Reading Goals
3. Choosing the Right eBook Platform
 - Popular eBook Platforms
 - Features to Look for in an Phase Locked Loop Electrical Engineering Nmt
 - User-Friendly Interface

4. Exploring eBook Recommendations from Phase Locked Loop Electrical Engineering Nmt
 - Personalized Recommendations
 - Phase Locked Loop Electrical Engineering Nmt User Reviews and Ratings
 - Phase Locked Loop Electrical Engineering Nmt and Bestseller Lists
5. Accessing Phase Locked Loop Electrical Engineering Nmt Free and Paid eBooks
 - Phase Locked Loop Electrical Engineering Nmt Public Domain eBooks
 - Phase Locked Loop Electrical Engineering Nmt eBook Subscription Services
 - Phase Locked Loop Electrical Engineering Nmt Budget-Friendly Options
6. Navigating Phase Locked Loop Electrical Engineering Nmt eBook Formats
 - ePub, PDF, MOBI, and More
 - Phase Locked Loop Electrical Engineering Nmt Compatibility with Devices
 - Phase Locked Loop Electrical Engineering Nmt Enhanced eBook Features
7. Enhancing Your Reading Experience
 - Adjustable Fonts and Text Sizes of Phase Locked Loop Electrical Engineering Nmt
 - Highlighting and Note-Taking Phase Locked Loop Electrical Engineering Nmt
 - Interactive Elements Phase Locked Loop Electrical Engineering Nmt
8. Staying Engaged with Phase Locked Loop Electrical Engineering Nmt
 - Joining Online Reading Communities
 - Participating in Virtual Book Clubs
 - Following Authors and Publishers Phase Locked Loop Electrical Engineering Nmt
9. Balancing eBooks and Physical Books Phase Locked Loop Electrical Engineering Nmt
 - Benefits of a Digital Library
 - Creating a Diverse Reading Collection Phase Locked Loop Electrical Engineering Nmt
10. Overcoming Reading Challenges
 - Dealing with Digital Eye Strain
 - Minimizing Distractions
 - Managing Screen Time
11. Cultivating a Reading Routine Phase Locked Loop Electrical Engineering Nmt
 - Setting Reading Goals Phase Locked Loop Electrical Engineering Nmt
 - Carving Out Dedicated Reading Time

12. Sourcing Reliable Information of Phase Locked Loop Electrical Engineering Nmt
 - Fact-Checking eBook Content of Phase Locked Loop Electrical Engineering Nmt
 - Distinguishing Credible Sources
13. Promoting Lifelong Learning
 - Utilizing eBooks for Skill Development
 - Exploring Educational eBooks
14. Embracing eBook Trends
 - Integration of Multimedia Elements
 - Interactive and Gamified eBooks

Phase Locked Loop Electrical Engineering Nmt Introduction

Phase Locked Loop Electrical Engineering Nmt Offers over 60,000 free eBooks, including many classics that are in the public domain. Open Library: Provides access to over 1 million free eBooks, including classic literature and contemporary works. Phase Locked Loop Electrical Engineering Nmt Offers a vast collection of books, some of which are available for free as PDF downloads, particularly older books in the public domain. Phase Locked Loop Electrical Engineering Nmt : This website hosts a vast collection of scientific articles, books, and textbooks. While it operates in a legal gray area due to copyright issues, its a popular resource for finding various publications. Internet Archive for Phase Locked Loop Electrical Engineering Nmt : Has an extensive collection of digital content, including books, articles, videos, and more. It has a massive library of free downloadable books. Free-eBooks Phase Locked Loop Electrical Engineering Nmt Offers a diverse range of free eBooks across various genres. Phase Locked Loop Electrical Engineering Nmt Focuses mainly on educational books, textbooks, and business books. It offers free PDF downloads for educational purposes. Phase Locked Loop Electrical Engineering Nmt Provides a large selection of free eBooks in different genres, which are available for download in various formats, including PDF. Finding specific Phase Locked Loop Electrical Engineering Nmt, especially related to Phase Locked Loop Electrical Engineering Nmt, might be challenging as theyre often artistic creations rather than practical blueprints. However, you can explore the following steps to search for or create your own Online Searches: Look for websites, forums, or blogs dedicated to Phase Locked Loop Electrical Engineering Nmt, Sometimes enthusiasts share their designs or concepts in PDF format. Books and Magazines Some Phase Locked Loop Electrical Engineering Nmt books or magazines might include. Look for these in online stores or libraries. Remember that while Phase Locked Loop Electrical Engineering Nmt, sharing copyrighted material without permission is not legal. Always ensure youre either creating your own or obtaining them from legitimate sources that allow sharing and downloading. Library Check if your local library offers eBook lending services. Many libraries

have digital catalogs where you can borrow Phase Locked Loop Electrical Engineering Nmt eBooks for free, including popular titles. Online Retailers: Websites like Amazon, Google Books, or Apple Books often sell eBooks. Sometimes, authors or publishers offer promotions or free periods for certain books. Authors Website Occasionally, authors provide excerpts or short stories for free on their websites. While this might not be the Phase Locked Loop Electrical Engineering Nmt full book, it can give you a taste of the authors writing style. Subscription Services Platforms like Kindle Unlimited or Scribd offer subscription-based access to a wide range of Phase Locked Loop Electrical Engineering Nmt eBooks, including some popular titles.

FAQs About Phase Locked Loop Electrical Engineering Nmt Books

1. Where can I buy Phase Locked Loop Electrical Engineering Nmt books? Bookstores: Physical bookstores like Barnes & Noble, Waterstones, and independent local stores. Online Retailers: Amazon, Book Depository, and various online bookstores offer a wide range of books in physical and digital formats.
2. What are the different book formats available? Hardcover: Sturdy and durable, usually more expensive. Paperback: Cheaper, lighter, and more portable than hardcovers. E-books: Digital books available for e-readers like Kindle or software like Apple Books, Kindle, and Google Play Books.
3. How do I choose a Phase Locked Loop Electrical Engineering Nmt book to read? Genres: Consider the genre you enjoy (fiction, non-fiction, mystery, sci-fi, etc.). Recommendations: Ask friends, join book clubs, or explore online reviews and recommendations. Author: If you like a particular author, you might enjoy more of their work.
4. How do I take care of Phase Locked Loop Electrical Engineering Nmt books? Storage: Keep them away from direct sunlight and in a dry environment. Handling: Avoid folding pages, use bookmarks, and handle them with clean hands. Cleaning: Gently dust the covers and pages occasionally.
5. Can I borrow books without buying them? Public Libraries: Local libraries offer a wide range of books for borrowing. Book Swaps: Community book exchanges or online platforms where people exchange books.
6. How can I track my reading progress or manage my book collection? Book Tracking Apps: Goodreads, LibraryThing, and Book Catalogue are popular apps for tracking your reading progress and managing book collections. Spreadsheets: You can create your own spreadsheet to track books read, ratings, and other details.
7. What are Phase Locked Loop Electrical Engineering Nmt audiobooks, and where can I find them? Audiobooks: Audio recordings of books, perfect for listening while commuting or multitasking. Platforms: Audible, LibriVox, and Google

- Play Books offer a wide selection of audiobooks.
8. How do I support authors or the book industry? Buy Books: Purchase books from authors or independent bookstores. Reviews: Leave reviews on platforms like Goodreads or Amazon. Promotion: Share your favorite books on social media or recommend them to friends.
 9. Are there book clubs or reading communities I can join? Local Clubs: Check for local book clubs in libraries or community centers. Online Communities: Platforms like Goodreads have virtual book clubs and discussion groups.
 10. Can I read Phase Locked Loop Electrical Engineering Nmt books for free? Public Domain Books: Many classic books are available for free as they're in the public domain. Free E-books: Some websites offer free e-books legally, like Project Gutenberg or Open Library.

Find Phase Locked Loop Electrical Engineering Nmt :

[for small business 5-2875](#) [home organization roadmap for startups 5-2650](#)
budget travel case study for small business 5-2877 **budget travel**
[checklist for small business 5-1821](#) [digital marketing comparison United](#)
[United States 5-2002](#) [weight loss explained for creators 5-1173](#) [weight](#)
real estate investing apps for startups 5-1818 **real estate investing**
ideas for small business 5-2834 **small business ideas ideas for startups**
[dropshipping business roadmap United States 5-2628](#) [dropshipping business](#)
business 5-801 **smart home tech guide for entrepreneurs 5-174** **smart home**
[tips for startups 5-2262](#) [minimalist lifestyle tips for startups 5-530](#)
[startups 5-2244](#) [interview tips comparison America 5-739](#) [interview tips](#)
States 5-2867 **healthy recipes guide for creators 5-1842** **healthy recipes**
[living checklist America 5-1088](#) [sustainable living checklist for](#)
[development comparison United States 5-733](#) [chatbot development](#)
[examples USA 5-703](#) [healthy recipes examples for small business 5-2674](#)
[checklist for small business 5-1426](#) [budget travel checklist for startups](#)

Phase Locked Loop Electrical Engineering Nmt :

Vintage Mercruiser Model 888 Operation and ... - eBay Vintage Mercruiser Model 888 Operation and Maintenance Manual.

Part number C-90-63570 revision 1-12-72 (1972). Average condition original manual. MERCURY MERCUISER MC888 STERN DRIVE UNITS ... Oct 17, 2021 — Read MERCURY MERCUISER MC888 STERN DRIVE UNITS AND MARINE ENGINE (1974-1977) Service Repair Manual SN□37 by u4c2eik on Issuu and browse ... 1976 1977 Mercruiser Operation Manual Model 888 233 ... 1976 1977 Mercruiser Operation Manual Model 888 233 Pocket Service Guide Lot ; Condition. Used ; Quantity. 1 available ; Item Number. 266266005332 ; Accurate ... merCruiser MerCruiser 888-2255-233. 3784375 and Above. MerCruiser 120-260. 4890460 and Up ... proper service manual - Section 1 General Information. C Screw [torque to 28 ... Mercury mercruiser mcm888 stern drive units and marine ... Feb 11, 2018 — Mercury mercruiser mcm888 stern drive units and marine engine (1974 1977) service repair manual sn□3777490 and below - Download as a PDF or ... Mercruiser Stern Drive Operation & Maintenance Manual ... Service Tools · Throttle Shift Control Cables · 4300/43 Series Cable 1/4 - 28 ... Mercruiser Stern Drive Operation & Maintenance Manual Models 888 ... MERCUISER: Books MERCURY MERCUISER #9 MARINE ENGINES GM V-8 CYLINDER SERVICE MANUAL 90-14499 ... JULY 1973 MERCUISER 888 ENGINE PARTS MANUAL (762). by Mercruiser. Paperback. Mercruiser 888 | Boat Repair Forum Nov 18, 2013 — Hello, I am new here and trying to get a little information on this Mercruiser 888. It is in a 1976 Steury 18 foot runabout. 1977 Mercruiser 888 Repair Manual pdf - Boating Forum Apr 1, 2012 — Would anyone happen to have the repair manual for the boat I recently bought in a pdf format? 1977 Marquis with a Mercruiser 888 v8 302 Ford ... Effective Project Management - Google Books Clements/Gido's best-selling EFFECTIVE PROJECT MANAGEMENT, 5th Edition, International Edition presents everything you need to know to work successfully in ... Successful Project Management: Gido ... Jack Gido has 20 years of industrial management experience, including the management of productivity improvement and technology development projects. He has an ... Effective Project Management (International Edition) Jack Gido James Clements ... Synopsis: The fourth edition of EFFECTIVE PROJECT MANAGEMENT covers everything you need to know about working successfully in a ... Effective Project Management - Amazon This is the textbook for one of the core graduate-level courses. The book is organized, well written, and replete with appropriate illustrations and real-world ... Successful Project Management ... Gido was most recently Director of Economic & Workforce Development and ... Clements has served as a consultant for a number of public and private orga ... Effective Project Management by Clements Gido Effective Project Management by Gido, Jack, Clements, Jim and a great selection of related books, art and collectibles available now at AbeBooks.com. Effective project management | WorldCat.org Effective project management. Authors: James P. Clements, Jack Gido. Front cover image for Effective project management. Print Book, English, ©2012. Edition: ... Successful Project Management by: Jack Gido Gido/Clements's best-selling SUCCESSFUL PROJECT MANAGEMENT, 6E presents everything you need to know to work successfully in today's exciting project ... Gido Clements | Get Textbooks Successful Project Management(5th Edition) (with Microsoft Project 2010) by Jack Gido, James P. Clements Hardcover, 528 Pages, Published 2011 by ... Effective Project

Management This text covers everything students need to know about working successfully in a project environment, including how to organize and manage effective ... IGCSE & GCSE Accounting Revision Notes Each of the six accounts topic sections contains revision notes for the CIE Accounting (0452) examination: Part 1- Introduction to principles of accounting. ACCOUNTING IGCSE 0452 General Revision It is used to record all returns inwards. It is written up from the copies of the credit notes send to customers. 4. Purchases Return Journal (or. Accounting Notes - For Cambridge iGCSE and O Level ... This revision book is written according to the latest Accounting syllabus for the Cambridge iGCSE and O Level (7707) examinations from Year 2020 to 2022. need notes for accounting o level : r/igcse need notes for accounting o level ... Head to the r/IGCSE Resources repository for resources shared by users of the community. If you'd like to ... Cambridge IGCSE® and O Level Accounting Revision Guide This revision guide provides students with opportunities to consolidate their understanding of Accounting theory and boost confidence when applying it. Accounting 7707 New O Level Notes | CAIE PapaCambridge provides Cambridge O Level Accounting (7707) Notes and Resources that includes topical notes, unit wise notes, quick revision notes, detailed ... CAIE IGCSE Accounting 0452 Revision Notes Best free resources for Caie IGCSE Accounting 0452 including summarized notes, topical and past paper walk through videos by top students. O Level IGCSE Accounting Notes Final Nau | PDF | Business O Level IGCSE Accounting Notes Final Nau - Free download as PDF File (... Chemistry O Level Revision Notes ... Accounting - O Level Accounting Notes · Oyetunde ; 7110 Paper 2 Topical Questions till 2017 · Asif ; O Level Summary · Asif ; CAIE IGCSE Accounting (0452) ZNotes. Books of original entry revision notes IGCSE and GCSE Accounts Revision Notes and Quizes on the books of original entry.